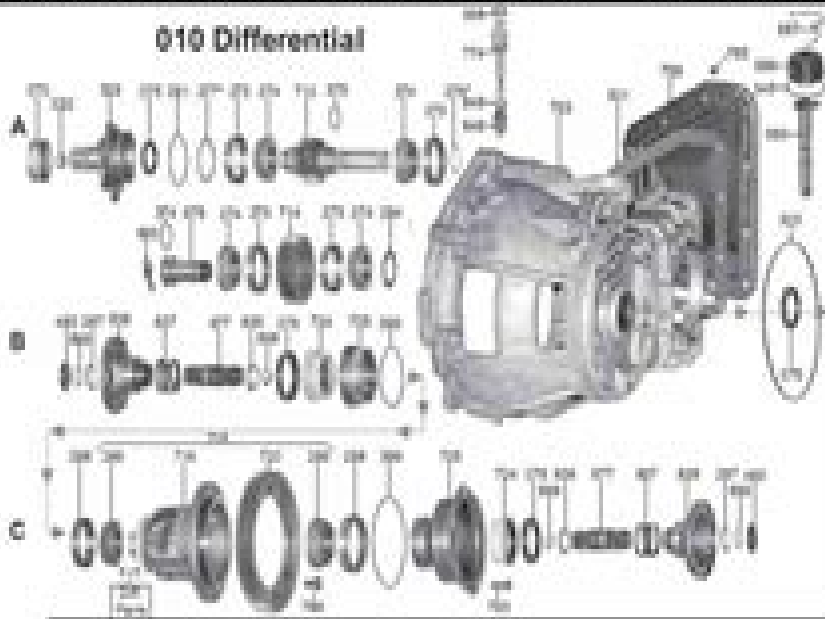
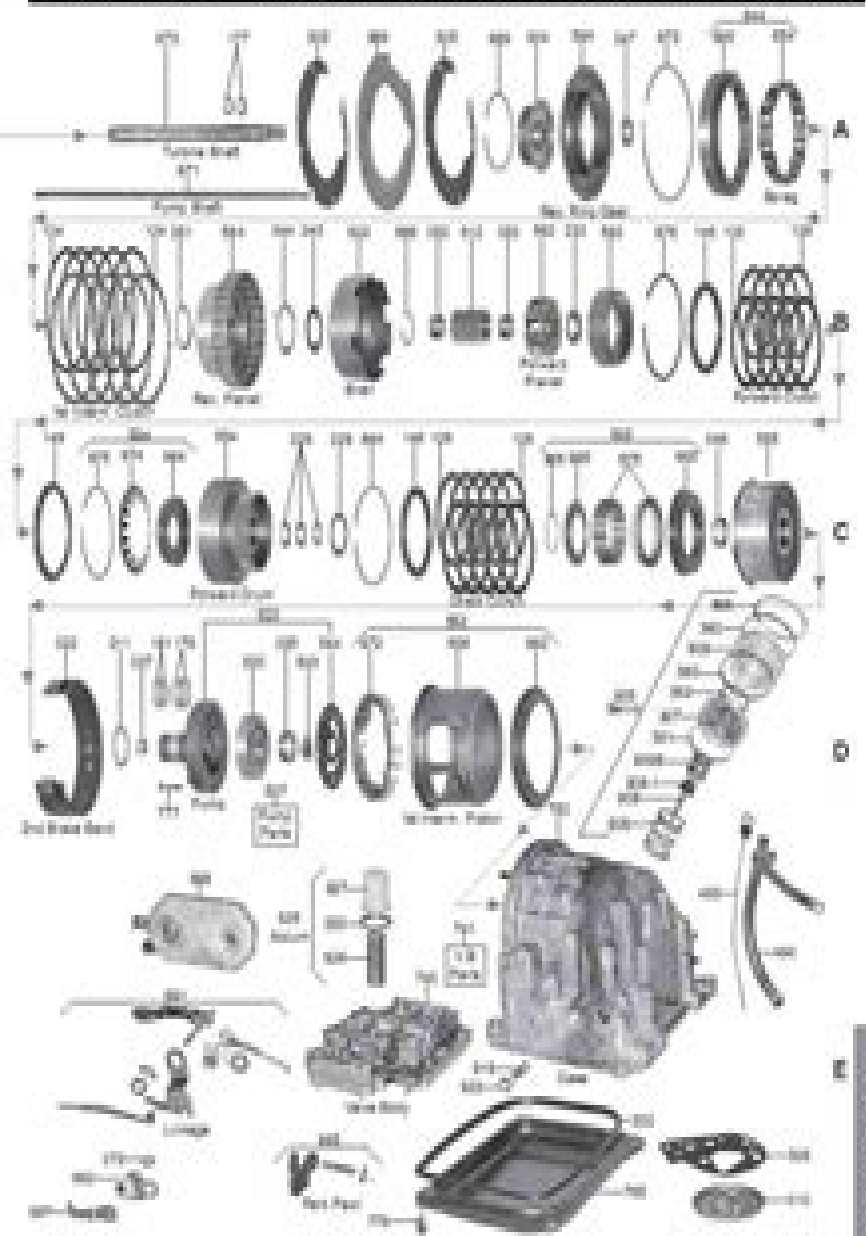
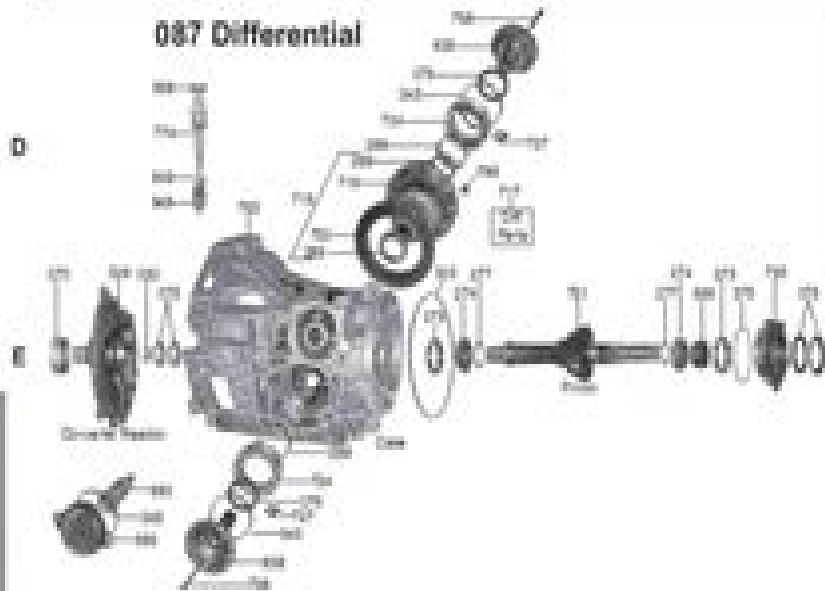


010 Differential



087 Differential



Vw 090 Automatic Transmission Manual

Lingsheng Yao



Vw 090 Automatic Transmission Manual:

VW Polo Petrol & Diesel Service & Repair Manual R. M. Jex, 2007 Hatchback including special limited editions Does NOT cover features specific to Dune models or facelifted Polo range introduced June 2005 Petrol 1 2 litre 1198cc 3 cyl 1 4 litre 1390cc non FSI 4 cyl Does NOT cover 1 4 litre FSI engines Diesel 1 4 litre 1422cc 3 cyl 1 9 litre 1896cc 4 cyl inc PD TDI turbo Chilton's Import Car Repair Manual 1983-90 Chilton Automotive Books, 1989-10 Maintenance specifications step by step parts replacements **VW GTI, Golf, Jetta, MK III & IV** Kevin Clemens, Volkswagen s GTI Golf and Jetta are long time favorites among sport compact performance enthusiasts With engines ranging from the 2 0 liter naturally aspirated four cylinder to the 1 8 liter turbo 4 to the VR6 the Mk III and Mk IV generations 1993 2004 offer tuners a wealth of opportunities This book turns these opportunities into realities from deciding which vehicle to buy to keeping it running in tip top condition to enhancing the performance and appearance of your VW Focusing on the engine wheels and tires suspension body kits interiors and more each project includes straightforward instruction along with details about the necessary parts cost time and skill If you want to get the biggest bang for your VW buck this book is your road map **Volkswagen Vanagon**, 1991 Bentley Publishers is the exclusive factory authorized publisher of Volkswagen Service Manuals in the United States and Canada In every manual we provide full factory repair procedures specifications tolerances electrical wiring diagrams and lubrication and maintenance information Bentley manuals are the only complete authoritative source of Volkswagen maintenance and repair information Even if you never intend to service your car yourself you ll find that owning a Bentley Manual will help you to discuss repairs more intelligently with your service technician *How to Rebuild Your Volkswagen Air-Cooled Engine* Tom Wilson, 1987-01-01 Learn how to rebuild a Volkswagen air cooled engine This guide will teach the reader how to troubleshoot remove tear down inspect assemble and install Bug Bus Karmann Ghia Thing Type 3 Type 4 and Porsche 914 engines All models from 1961 on up are included **Lubricants and Lubrication** Theo Mang, Wilfried Dresel, 2017-02-02 Praise for the previous edition Contains something for everyone involved in lubricant technology Chemistry Industry This completely revised third edition incorporates the latest data available and reflects the knowledge of one of the largest companies active in the business The authors take into account the interdisciplinary character of the field considering aspects of engineering materials science chemistry health and safety The result is a volume providing chemists and engineers with a clear interdisciplinary introduction and guide to all major lubricant applications focusing not only on the various products but also on specific application engineering criteria A classic reference work completely revised and updated approximately 35% new material focusing on sustainability and the latest developments technologies and processes of this multi billion dollar business Provides chemists and engineers with a clear interdisciplinary introduction and guide to all major lubricant applications looking not only at the various products but also at specific application engineering criteria All chapters are updated in terms of environmental and operational safety New guidelines such as REACH recycling

alternatives and biodegradable base oils are introduced Discusses the integration of micro and nano tribology and lubrication systems Reflects the knowledge of Fuchs Petrolub SE one of the largest companies active in the lubrication business 2
Volumes wileyonlinelibrary.com/ref/lubricants Volkswagen Jetta, Golf, GTI, Cabrio Service Manual, 1993-1999 Bentley Publishers, Robert Bentley, inc, 1999 Bentley Publishers is the exclusive factory authorized publisher of Volkswagen Service Manuals in the United States and Canada In every manual we provide full factory repair procedures specifications tolerances electrical wiring diagrams and lubrication and maintenance information Bentley manuals are the only complete authoritative source of Volkswagen maintenance and repair information Even if you never intend to service your car yourself you ll find that owning a Bentley Manual will help you to discuss repairs more intelligently with your service technician Automotive Transmissions Harald Naunheimer, Bernd Bertsche, Joachim Ryborz, Wolfgang Novak, 2010-11-09 This book gives a full account of the development process for automotive transmissions Main topics Overview of the traffic vehicle transmission system Mediating the power flow in vehicles Selecting the ratios Vehicle transmission systems basic design principles Typical designs of vehicle transmissions Layout and design of important components e.g. gearshifting mechanisms moving off elements pumps retarders Transmission control units Product development process Manufacturing technology of vehicle transmissions Reliability and testing The book covers manual automated manual and automatic transmissions as well as continuously variable transmissions and hybrid drives for passenger cars and commercial vehicles Furthermore final drives power take offs and transfer gearboxes for 4 WD vehicles are considered Since the release of the first edition in 1999 there have been a lot of changes in the field of vehicles and transmissions About 40% of the second edition's content is new or revised with new data Chemistry and Technology of Lubricants Roy M. Mortier, Malcolm F. Fox, Stefan Orszulik, 2011-04-14 Chemistry and Technology of Lubricants describes the chemistry and technology of base oils additives and applications of liquid lubricants This Third Edition reflects how the chemistry and technology of lubricants has developed since the First Edition was published in 1992 The acceleration of performance development in the past 35 years has been as significant as in the previous century Refinery processes have become more precise in defining the physical and chemical properties of higher quality mineral base oils New and existing additives have improved performance through enhanced understanding of their action Specification and testing of lubricants has become more focused and rigorous Chemistry and Technology of Lubricants is directed principally at those working in the lubricants industry as well as individuals working within academia seeking a chemist's viewpoint of lubrication It is also of value to engineers and technologists requiring a more fundamental understanding of the subject Ford Escort and Lynx, 1981-90 Chilton Automotive Books, The Nichols/Chilton, Chilton, 1999-02 Total Car Care is the most complete step by step automotive repair manual you ll ever use All repair procedures are supported by detailed specifications exploded views and photographs From the simplest repair procedure to the most complex trust Chilton's Total Car Care to give you everything you need to do the job Save time and

money by doing it yourself with the confidence only a Chilton Repair Manual can provide **Ward's Automotive Yearbook**, 1991 Includes advertising matter **Classic Car** DK, 2023-04-11 From the Chevrolet Bel Air to the Ferrari Testarossa this stunning book showcases the most iconic and important classic cars from every decade since the 1940s Few things ignite such reverence as a classic car With more than 250 iconic models from the 1940s to the early 1990s photographed from every angle this title is a glorious celebration of the stars in the classic car firmament Classic Car brings you the story of more than 20 great marques including household names Bentley Mercedes Ferrari Cadillac and Aston Martin Its lavish photography reveals every detail in close up of models that range from the 1940s giant two ton Daimler DE36 which ferried royals about in style through to sleek Ferraris from the 1980s capable of smashing the 200mph barrier It puts you in the driving seat of such icons as the Chevrolet Corvette the Ford Thunderbird and the Mercedes 300SL and brings you the designers of these amazing machines and the story of their manufacturers This ultimate guide to classic cars further features A comprehensive catalog that draw out the key features of each important model with detailed profiles and specification Feature pages broaden the scope of the book covering everything from the designers and manufacturers who created them to their evolution over the decades Stunningly shot DPS images add an extra layer of color and flavor to the book Written by award winning author and expert on all aspects of motoring Giles Chapman Editor in Chief of DK's The Car Book which has sold over 550 000 copies worldwide to date Updates will include the key models that have grown in popularity since the last edition Whether you dream of owning one of these super cool cars or you are a collector already Classic Car is set to become a treasured favorite *Big Book of Self-Reliant Living* Walter Szykitka, 2009-10-14 Rural homesteaders and urban apartment dwellers alike will find a mother lode of practical information packed into this completely revised and updated edition of the ultimate how to handbook for all generations A selective compendium of public domain documents it brings together in one volume a wealth of knowledge and useful instruction on just about every imaginable aspect of self sufficiency from building a dwelling and growing food to raising children using tools of all kinds and yes getting more mileage out of your car Readers will learn how to build a greenhouse administer first aid stock an emergency shelter survive in the wilderness at sea and in the city plant buy farmland grow plants indoors and out read architect s drawings care for household pets repair clothing hunt trap and fish repair a screen or leaking faucet butcher and store big game kill relieve allergy symptoms control insects stay safe during storms and floods can and freeze fruits and vegetables take your own blood pressure and much much more Praise for a previous edition How we have survived this long without this book I don t know The concept is brilliant and simple If we had lived in a rural community a century ago much of the knowledge gathered here would have been in our bones Harper s Lemon-Aid Used Cars and Trucks 2012-2013 Phil Edmonston, 2012-05-19 A guide to buying a used car or minivan features information on the strengths and weaknesses of each model a safety summary recalls warranties and service tips **Popular Mechanics**, 1977-05 Popular Mechanics inspires instructs and influences readers to help them

master the modern world Whether it s practical DIY home improvement tips gadgets and digital technology information on the newest cars or the latest breakthroughs in science PM is the ultimate guide to our high tech lifestyle **Gale's Auto Sourcebook** ,1992 Guide to information on cars and light trucks **Planning, Regulation, and Competition:**

Automobile Industry - 1968, Hearings Before Subcommittees ... 90-2, on the Question: are Planning and Regulation Replacing Competition in the American Economy? (the Automobile Industry as a Case Study), July 10, 23, 1968 United States. Congress. Senate. Select Committee on Small Business,1968 Federal Register ,1985-08-26

Ski ,1987-11 **Popular Science** ,1970-09 Popular Science gives our readers the information and tools to improve their technology and their world The core belief that Popular Science and our readers share The future is going to be better and science and technology are the driving forces that will help make it better

Vw 090 Automatic Transmission Manual Book Review: Unveiling the Power of Words

In a world driven by information and connectivity, the power of words has become much more evident than ever. They have the capacity to inspire, provoke, and ignite change. Such is the essence of the book **Vw 090 Automatic Transmission Manual**, a literary masterpiece that delves deep to the significance of words and their affect our lives. Written by a renowned author, this captivating work takes readers on a transformative journey, unraveling the secrets and potential behind every word. In this review, we will explore the book's key themes, examine its writing style, and analyze its overall impact on readers.

<http://www.frostbox.com/results/uploaded-files/Documents/Wiebetech%20Nbdd%20Owners%20Manual.pdf>

Table of Contents Vw 090 Automatic Transmission Manual

1. Understanding the eBook Vw 090 Automatic Transmission Manual
 - The Rise of Digital Reading Vw 090 Automatic Transmission Manual
 - Advantages of eBooks Over Traditional Books
2. Identifying Vw 090 Automatic Transmission Manual
 - Exploring Different Genres
 - Considering Fiction vs. Non-Fiction
 - Determining Your Reading Goals
3. Choosing the Right eBook Platform
 - Popular eBook Platforms
 - Features to Look for in an Vw 090 Automatic Transmission Manual
 - User-Friendly Interface
4. Exploring eBook Recommendations from Vw 090 Automatic Transmission Manual
 - Personalized Recommendations
 - Vw 090 Automatic Transmission Manual User Reviews and Ratings
 - Vw 090 Automatic Transmission Manual and Bestseller Lists
5. Accessing Vw 090 Automatic Transmission Manual Free and Paid eBooks

- Vw 090 Automatic Transmission Manual Public Domain eBooks
 - Vw 090 Automatic Transmission Manual eBook Subscription Services
 - Vw 090 Automatic Transmission Manual Budget-Friendly Options
6. Navigating Vw 090 Automatic Transmission Manual eBook Formats
 - ePub, PDF, MOBI, and More
 - Vw 090 Automatic Transmission Manual Compatibility with Devices
 - Vw 090 Automatic Transmission Manual Enhanced eBook Features
 7. Enhancing Your Reading Experience
 - Adjustable Fonts and Text Sizes of Vw 090 Automatic Transmission Manual
 - Highlighting and Note-Taking Vw 090 Automatic Transmission Manual
 - Interactive Elements Vw 090 Automatic Transmission Manual
 8. Staying Engaged with Vw 090 Automatic Transmission Manual
 - Joining Online Reading Communities
 - Participating in Virtual Book Clubs
 - Following Authors and Publishers Vw 090 Automatic Transmission Manual
 9. Balancing eBooks and Physical Books Vw 090 Automatic Transmission Manual
 - Benefits of a Digital Library
 - Creating a Diverse Reading Collection Vw 090 Automatic Transmission Manual
 10. Overcoming Reading Challenges
 - Dealing with Digital Eye Strain
 - Minimizing Distractions
 - Managing Screen Time
 11. Cultivating a Reading Routine Vw 090 Automatic Transmission Manual
 - Setting Reading Goals Vw 090 Automatic Transmission Manual
 - Carving Out Dedicated Reading Time
 12. Sourcing Reliable Information of Vw 090 Automatic Transmission Manual
 - Fact-Checking eBook Content of Vw 090 Automatic Transmission Manual
 - Distinguishing Credible Sources
 13. Promoting Lifelong Learning
 - Utilizing eBooks for Skill Development

- Exploring Educational eBooks
- 14. Embracing eBook Trends
 - Integration of Multimedia Elements
 - Interactive and Gamified eBooks

Vw 090 Automatic Transmission Manual Introduction

In this digital age, the convenience of accessing information at our fingertips has become a necessity. Whether its research papers, eBooks, or user manuals, PDF files have become the preferred format for sharing and reading documents. However, the cost associated with purchasing PDF files can sometimes be a barrier for many individuals and organizations. Thankfully, there are numerous websites and platforms that allow users to download free PDF files legally. In this article, we will explore some of the best platforms to download free PDFs. One of the most popular platforms to download free PDF files is Project Gutenberg. This online library offers over 60,000 free eBooks that are in the public domain. From classic literature to historical documents, Project Gutenberg provides a wide range of PDF files that can be downloaded and enjoyed on various devices. The website is user-friendly and allows users to search for specific titles or browse through different categories. Another reliable platform for downloading Vw 090 Automatic Transmission Manual free PDF files is Open Library. With its vast collection of over 1 million eBooks, Open Library has something for every reader. The website offers a seamless experience by providing options to borrow or download PDF files. Users simply need to create a free account to access this treasure trove of knowledge. Open Library also allows users to contribute by uploading and sharing their own PDF files, making it a collaborative platform for book enthusiasts. For those interested in academic resources, there are websites dedicated to providing free PDFs of research papers and scientific articles. One such website is Academia.edu, which allows researchers and scholars to share their work with a global audience. Users can download PDF files of research papers, theses, and dissertations covering a wide range of subjects. Academia.edu also provides a platform for discussions and networking within the academic community. When it comes to downloading Vw 090 Automatic Transmission Manual free PDF files of magazines, brochures, and catalogs, Issuu is a popular choice. This digital publishing platform hosts a vast collection of publications from around the world. Users can search for specific titles or explore various categories and genres. Issuu offers a seamless reading experience with its user-friendly interface and allows users to download PDF files for offline reading. Apart from dedicated platforms, search engines also play a crucial role in finding free PDF files. Google, for instance, has an advanced search feature that allows users to filter results by file type. By specifying the file type as "PDF," users can find websites that offer free PDF downloads on a specific topic. While downloading Vw 090 Automatic Transmission Manual free PDF files is convenient, its important to note that copyright laws must be respected. Always ensure that the PDF

files you download are legally available for free. Many authors and publishers voluntarily provide free PDF versions of their work, but it's essential to be cautious and verify the authenticity of the source before downloading Vw 090 Automatic Transmission Manual. In conclusion, the internet offers numerous platforms and websites that allow users to download free PDF files legally. Whether it's classic literature, research papers, or magazines, there is something for everyone. The platforms mentioned in this article, such as Project Gutenberg, Open Library, Academia.edu, and Issuu, provide access to a vast collection of PDF files. However, users should always be cautious and verify the legality of the source before downloading Vw 090 Automatic Transmission Manual any PDF files. With these platforms, the world of PDF downloads is just a click away.

FAQs About Vw 090 Automatic Transmission Manual Books

What is a Vw 090 Automatic Transmission Manual PDF? A PDF (Portable Document Format) is a file format developed by Adobe that preserves the layout and formatting of a document, regardless of the software, hardware, or operating system used to view or print it. **How do I create a Vw 090 Automatic Transmission Manual PDF?** There are several ways to create a PDF: Use software like Adobe Acrobat, Microsoft Word, or Google Docs, which often have built-in PDF creation tools. Print to PDF: Many applications and operating systems have a "Print to PDF" option that allows you to save a document as a PDF file instead of printing it on paper. Online converters: There are various online tools that can convert different file types to PDF. **How do I edit a Vw 090 Automatic Transmission Manual PDF?** Editing a PDF can be done with software like Adobe Acrobat, which allows direct editing of text, images, and other elements within the PDF. Some free tools, like PDFescape or Smallpdf, also offer basic editing capabilities. **How do I convert a Vw 090 Automatic Transmission Manual PDF to another file format?** There are multiple ways to convert a PDF to another format: Use online converters like Smallpdf, Zamzar, or Adobe Acrobat's export feature to convert PDFs to formats like Word, Excel, JPEG, etc. Software like Adobe Acrobat, Microsoft Word, or other PDF editors may have options to export or save PDFs in different formats. **How do I password-protect a Vw 090 Automatic Transmission Manual PDF?** Most PDF editing software allows you to add password protection. In Adobe Acrobat, for instance, you can go to "File" -> "Properties" -> "Security" to set a password to restrict access or editing capabilities. Are there any free alternatives to Adobe Acrobat for working with PDFs? Yes, there are many free alternatives for working with PDFs, such as: LibreOffice: Offers PDF editing features. PDFsam: Allows splitting, merging, and editing PDFs. Foxit Reader: Provides basic PDF viewing and editing capabilities. How do I compress a PDF file? You can use online tools like Smallpdf, ILovePDF, or desktop software like Adobe Acrobat to compress PDF files without significant quality loss. Compression reduces the file size, making it easier to share and download. Can I fill out forms in a

PDF file? Yes, most PDF viewers/editors like Adobe Acrobat, Preview (on Mac), or various online tools allow you to fill out forms in PDF files by selecting text fields and entering information. Are there any restrictions when working with PDFs? Some PDFs might have restrictions set by their creator, such as password protection, editing restrictions, or print restrictions. Breaking these restrictions might require specific software or tools, which may or may not be legal depending on the circumstances and local laws.

Find Vw 090 Automatic Transmission Manual :

[wiebetech nbdd owners manual](#)

wii model rvl 001 manual

[who owns the future](#)

[why should i love you 3 the finale](#)

[wiley control systems 6th edition nise solutions](#)

[wijnanda deeroo places of memory](#)

wii remote setup guide

[wicked all the way wicked lovers 65 shayla black](#)

[wiley physics solutions](#)

[wiley accounting 100 homework answers bing](#)

why do buses come in threes paperback

wico c service manual

[why do you need financial aid essay](#)

[who can that be deep in the sea](#)

[williams textbook of endocrinology 12th edition](#)

Vw 090 Automatic Transmission Manual :

20 famous success stories to inspire you jack candfield - May 16 2023

given the prosperity of my last blog entry moneyball or the strength to concentrate on what you have control and all kinds of feedback i have received i thought i d write me a blog tracking

[start a blog with weebly](#) - May 04 2022

7 24 2011 0 comments do not joke cracker professional crafters yusuf zainal abidin success stories prove that the profits of

business not as easy cracker cracker products thanks to the
[i what is a success story division of agriculture and natural](#) - Dec 11 2022

build your website build your success from tech hurdles big and small to business growth tips help from our customer
success team is just an email chat or phone call away begin with

weebly stories our entrepreneurs dream big - Sep 20 2023

check out these success stories from weebly site creators get inspired by real people creating thriving businesses the small
business savior usa christine the sahm soapmaker usa

weebly wikipedia - Aug 19 2023

weebly is an american web hosting and web development company headquartered in san francisco and is a subsidiary of
block inc it was founded in 2006 by chief executive officer david rusenko chief technology officer chris fanini and former
chief product officer dan veltri

micro business college a success story ciied2014 weebly com - Oct 09 2022

2 days ago 1 luck plays a big and often unacknowledged part in career success starting in the womb warren buffett has
talked of winning the ovarian lottery by being born in america

weebly about us - Nov 10 2022

edit this text and tell your site visitors who you are to edit simply click directly on the text and add your own words use this
text to go into more detail about your company make sure to

success story Перевод на русский reverso context - Mar 22 2021

free website builder build a free website or online store weebly - Aug 07 2022

success story definition an account of the achievement of success fortune or fame by someone or some enterprise see more
[what labour s record breaking by election successes could](#) - Jul 26 2021

Перевод success story на русский Сущ the rest is a success story worth telling Это история успеха которая стоит того
чтобы о ней рассказать every success story starts

success story definition meaning dictionary com - Apr 03 2022

oct 19 2023 it reflects the firm s growing confidence after adding 8 8 million subscribers from july to september it was the
most in more than two years for viewers in the us the

top 15 success stories to inspire you to succeed the - Jul 18 2023

anything else wouldn t be credible start laying out the success story with a list of bullet points concentrate on what you want
to tell instead of looking for elegant formulation please use the

how to write an inspirational success story tips - Apr 15 2023

a success story shows extension making a difference in people s lives more than a list of events or activities it describes a positive change and shows how that change benefits the people of

how big is the role of luck in career success the economist - Jun 05 2022

2 days ago austin russel a 2013 thiel fellow took luminar technologies inc public in 2020 valuing the company at 8 5 billion while paul gu helped upstart go public at a 4 8 billion

a success story weebly graph safehousetech com - Sep 27 2021

success story definition 1 something or someone that achieves great success often by making a lot of money 2 something learn more

cumbria seabirds breeding success after tough few seasons - Aug 27 2021

success story may refer to success story a stage play by playwright and screenwriter john howard lawson success story short story a 1947 short story by p g wodehouse

schwab no 1 factor behind americans most successful - Oct 29 2021

oct 21 2023 i uncovered greenwich council s 0 success rate after i received a penalty charge notice of 130 in june for driving in a bus lane in kidbrooke more on this story

a success story weebly - Mar 02 2022

1 day ago think of your biggest investing success maybe it was a mega sized company whose stock you bought when it was just a startup maybe you got in and out of crypto at the right

how to create powerful success stories 4 examples - Mar 14 2023

weebly was started in 2007 and currently powers millions of businesses on more than 50 million sites around the world weebly is based in san francisco with offices in new york

netflix raises prices despite password crackdown success - Nov 29 2021

1 day ago mr pincher secured a 42 6 majority in 2019 in a catastrophic loss for the tories labour have overturned what was one of the conservative s safest seats with a 23 9 point

success story from zero to hero - Dec 31 2021

oct 21 2023 seabirds have had a very successful breeding season on the cumbrian coast following a challenging few years eight arctic terns fledged following the failure of their 2022

about how to write a success story - Jul 06 2022

a success story introduction be it an evening snack or a banquet or a meal at home the pappad finds its due place on the dining table no indian meal is complete without it and

how to write a success story home - Feb 13 2023

micro business college a success story mr abera tilahun president micro business college its beginning was so humble a simple but stern dream of ato abera tilahun a

greenwich council drivers succeed in every penalty charge - Jun 24 2021

how to write a success story with template project - Jun 17 2023

criteria for choosing the perfect client for a case study or success story the client is highly satisfied elementary my dear watson the client represents your ideal client or that area

another successful story home - Sep 08 2022

learn how to start a blog with weebly s advanced blogging platform designed to help both individuals and businesses create amazing blogs

analysis thiel s unicorn success is awkward for colleges - Feb 01 2022

2 a success story weebly 2022 03 17 friends into drug dealing gangs and prison but when a presentation at their school made the three boys aware of the opportunities available to them

success story wikipedia - Apr 22 2021

success story of bill gates - Jan 12 2023

a truth story northfield minnesota carleton college commencement june 15 2002 it is trite to say that it is a great honor to receive an honorary degree from carleton but that is

success story english meaning cambridge dictionary - May 24 2021

jazz trumpet aural tests quick studies sheet music plus - Oct 05 2022

web shop and buy jazz trumpet aural tests quick studies sheet music trumpet sheet music book by abrsm associated board of the royal schools of music at sheet music plus hl 7011381

jazz trumpet aural tests and quick studies book levels - Jun 13 2023

web feb 7 2007 these practice tests and studies support the associated board s syllabus for jazz trumpet levels grades 1 5 complementing the study of jazz repertoire they focus on musicianship skills central to the performance of jazz and to working by ear

jazz trumpet aural tests and quick studies levels grades 1 5 - Mar 30 2022

web jun 9 2023 this jazz trumpet aural tests and quick studies levels grades 1 5 by abrsm as one of the majority operating

sellers here will completely be associated with by the best possibilities to review it will exceedingly ease you to see guide jazz
jazz trumpet aural tests quick studies levels grades 1 5 - Aug 15 2023

web jazz trumpet aural tests quick studies levels grades 1 5 publication date 2003 topics associated board of the royal schools of music great britain examinations associated board of the royal schools of music great britain trumpet studies and exercises jazz ear training trumpet publisher

jazz trumpet aural tests and quick studies levels grades 1 5 - Jan 08 2023

web graded tests as preparation for the jazz trumpet exams contains compositions that introduce the melodic and harmonic vocabulary of jazz in an impressive range of styles in swing or straight 8s using rock latin or swing grooves

jazz trumpet aural tests and quick studies levels grades 1 5 - May 12 2023

web jazz trumpet aural tests and quick studies levels grades 1 5 by abrsm graded tests as preparation for the jazz trumpet exams contains compositions that introduce the melodic and harmonic vocabulary of jazz in an impressive range of styles in swing or straight 8s using rock latin or swing grooves includes question and answer tests with

jazz trumpet aural tests and quick studies heritage music - Jul 02 2022

web jazz trumpet aural tests and quick studies is a useful resource for the abrsm jazz trumpet exam graded tests as preparation for the jazz trumpet exams

jazz trumpet aural tests and quick studies levels 2023 - Jan 28 2022

web jazz trumpet aural tests quick studies levels grades 1 5 2003 06 graded tests as preparation for the jazz trumpet exams includes question and answer tests with written piano accompaniments to practise improvising in time with a helpful description of each test its objectives and what the examiner is looking for exemplar tests

jazz trumpet aural tests and quick studies levels grades 1 5 - Apr 30 2022

web may 24 2023 find many great new used options and get the best deals for jazz trumpet aural tests and quick studies levels grades 1 5 hardcover by at the best online prices at ebay free shipping for many products

abrsm jazz exams - Mar 10 2023

web the aural tests are designed to help you to listen to music in this way and to foster working by ear the aural tests can be extended into exercises for developing improvisation and other jazz skills quick study to play either at sight or to reproduce by ear a short phrase and to improvise a response

abrsm jazz trumpet aural tests and quick chimesmusic com - Sep 04 2022

web abrsm jazz trumpet aural tests and quick studies levels grades 1 5

jazz trumpet aural tests abebooks - Aug 03 2022

web jazz trumpet aural tests and quick studies levels grades 1 5 by abrsm abrsm and a great selection of related books art

and collectibles available now at abebooks com

jazz etudes for trumpet jeff lewis trumpet - Dec 27 2021

web subscribe to our mailing list and receive this free ebook indicates required email address

open studio - Feb 26 2022

web jazz lessons from jazz legends sound artistry and technique in one place intermediate advanced view course jazz trumpet fundamentals vol 2 bebop composition and of course sound intermediate advanced scales and terms used in jazz all levels view course mastering rhythm the ultimate course on the

[jazz trumpet aural tests and quick studies levels grades 1 5](#) - Feb 09 2023

web jazz trumpet aural tests and quick studies levels grades 1 5 by various method book sheet music for trumpet buy print music a3 9781860963377 sheet music plus

jazz trumpet scales levels grades 1 5 abrsm exam pieces - Nov 06 2022

web jazz trumpet aural tests and quick studies levels grades 1 5 abrsm exam pieces

jazz trumpet aural tests quick studies levels grades 1 5 - Apr 11 2023

web graded tests as preparation for the jazz trumpet exams includes question and answer tests with written piano accompaniments to practise improvising in time with a helpful description of each test its objectives and what the examiner is looking for

jazz trumpet aural tests and quick studies levels 2022 - Jun 01 2022

web jazz trumpet aural tests and quick studies levels 1 jazz trumpet aural tests and quick studies levels specimen sight reading tests for trumpet and brass band instruments excluding trombone catalog of copyright

jazz trumpet aural tests and quick studies levels grades 1 5 - Jul 14 2023

web in stock usually despatched within 24 48 hours estimated price converted from uk retail price graded tests as preparation for the jazz trumpet exams compositions that introduce the melodic and harmonic vocabulary of jazz an impressive range of styles in swing or straight 8s using rock latin or swing grooves

jazz trumpet aural tests and quick studies book levels - Dec 07 2022

web abebooks com jazz trumpet aural tests and quick studies book levels grades 1 5 9781860963377 by various and a great selection of similar new used and collectible books available now at great prices

[surveilling wetlands for infectious bird flu and finding it](#) - Nov 24 2021

web 1 day ago now reporting in environmental science technology letters researchers have developed a method that detected infectious bird flu virus in wetlands frequented by

[the kidney disease solution pdf ebook download free](#) - Jan 27 2022

web oct 24 2021 the kidney disease solution pdf ebook download free oct 24 2021 110 likes 114 views

the kidney disease solution ebook pdf free download - Apr 29 2022

web oct 19 2021 get your digital edition of the kidney disease solution ebook pdf free download subscriptions and publications online from joomag buy download and read

pdf the kidney disease solution ebook online ebook house - May 31 2022

web nov 5 2020 the kidney disease solution download the kidney disease solution full books in pdf epub and kindle read online free the kidney disease solution ebook

the kidney disease solution program by d capicchiano - Jul 13 2023

web the kidney disease solution is an all in one step by step program that provides you with everything you need to reverse your kidney disease improve kidney function and

the kidney disease solution a guide on how to live a healthy - May 11 2023

web the kidney disease solution a guide on how to live a healthy and happy life with chronic kidney disease ebook michael dr joe amazon co uk books

the kidney disease solution reviews 2021 a detailed - Oct 24 2021

web mar 20 2021 how does the kidney disease solution ebook work the kidney disease solution ebook brings a holistic approach to individually treat each case of

the kidney disease solution ultimate guide to kidney - Mar 09 2023

web the kidney disease solution ultimate guide to kidney disease solution ebook jean kevin amazon in kindle store

the kidney disease solution a comprehensive guide to - Jun 12 2023

web the kidney disease solution a comprehensive guide to managing and reversing chronic kidney disease ebook clarkson robert amazon in kindle store

duncan capicchiano the kidney disease solution ebook pdf - Oct 16 2023

web duncan capicchiano the kidney disease solution ebook pdf google drive

the kidney disease solution ultimate guide to kidney - Aug 02 2022

web jul 3 2023 amazon com the kidney disease solution ultimate guide to kidney disease solution ebook jean kevin kindle store skip to main content us delivering

the kidney disease solution a comprehensive guide to - Sep 15 2023

web jan 15 2023 written by a leading expert in the field this book provides a comprehensive and easy to understand overview of the causes symptoms and treatment options for

the kidney disease solution pdf free download - Nov 05 2022

web ebooks donna jean kidneys are the body s natural filter during the day the kidneys filter about 60 liters of blood and clean it of toxins if the kidney fails to function a person can

the kidney disease and solution a guide to manage - Feb 25 2022

web oct 14 2023 it describes circumstances in which renal disease can be reversed and how to stop reversible decreases in kidney function it clarifies numerous false beliefs about

the kidney disease solution overdrive - Jan 07 2023

web sep 13 2020 if you are currently suffering from kidney disease and are looking to utilize a kidney friendly diet to help you manage your disease then this is the perfect kidney

amazon com the kidney disease solution a guide on how to - Aug 14 2023

web sep 2 2021 hardcover 20 00 1 new from 20 00 at the age of 27 dr joe michael was diagnosed with kidney disease and told by his doctors that he needed to immediately

the kidney disease solution pdf book program download - Dec 26 2021

web the kidney disease solution pdf book program download thekidneydiseasesolutionpdf com kidney disease is an increasingly common

kidney disease solution pdf book review is it reliable vkool - Jul 01 2022

web jul 12 2023 kidney disease solution can make red blood cells return to normal this treatment helps sufferers get rid of kidney disease quickly without dialysis and surgery

the kidney disease solution ebook pdf free download issuu - Mar 29 2022

web oct 19 2021 the kidney disease solution ebook pdf free download chronic kidney disease stage 1 adult polycystic kidney disease chronic kidney disease stage

the kidney disease solution pdf download lulu - Oct 04 2022

web apr 23 2022 the kidney disease solution by duncan capicchiano pdf ebook discover how to cure your and repaired your damage kidney by following the natural and

the kidney disease solution google books - Feb 08 2023

web jul 31 2013 what exactly is the kidney disease solution the kidney disease solution is an all in one step by step program that provides you with

the kidney disease solution a proven natural program for - Apr 10 2023

web dec 13 2022 view flipping ebook version of the kidney disease solution a proven natural program for regaining kidney function and living a normal healthy life

the kidney disease solution reviews 2021 yahoo finance - Dec 06 2022

web mar 20 2021 the kidney disease solution ebook brings a holistic approach to individually treat each case of kidney disease according to their unique requirements

the kidney disease solution by duncan capicchiano - Sep 03 2022

web luckily for you the kidney disease solution is arguably one of the most effective ways you can use to manage this condition fast and using natural means this guidebook