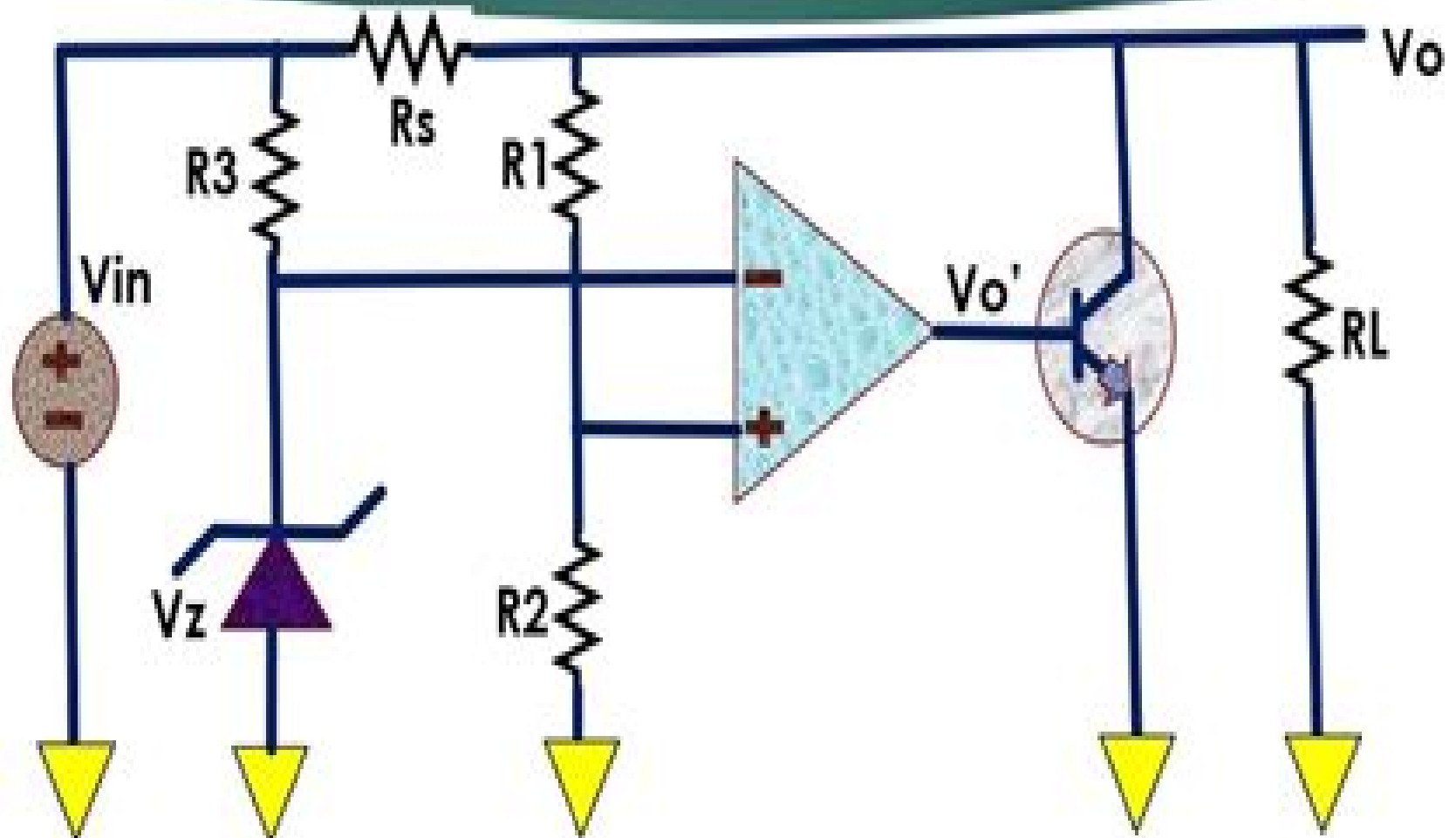


Shunt Voltage Regulator



Shunt Voltage Regulator Schematic

Sedha R.S.



Shunt Voltage Regulator Schematic:

Electronic Circuit Analysis: Rao,2011 Electronic Circuit Analysis is designed to serve students of a two semester undergraduate course on electronic circuit analysis It builds on the subject from its basic principles over fifteen chapters providing detailed coverage on the design and analysis of electronic circuits **Electronic Circuit Analysis** B. Visvesvara Rao,2012 Electronic Circuit Analysis is designed to serve as a textbook for a two semester undergraduate course on electronic circuit analysis It builds on the subject from its basic principles over fifteen chapters providing detailed coverage on the design and analysis of electronic circuits **S. Chand's Success Guides (Questions & Answers) Refreshers Course in Physics Volume III (LPSPE)** Arora C.L., 0 **Electronic Circuits-I** Atul. P. Godse,Uday A. Bakshi,2020-11-27 The book covers all the aspects of theory analysis and design of Electronic Circuits for the undergraduate course The concepts of biasing of BJT JFET MOSFET along with the analysis of BJT FET and MOSFET amplifiers are explained comprehensively The frequency response of amplifiers is explained in support The detailed essential of rectifiers filters and power supplies are also incorporated in the book The book covers biasing of BJT JFET and MOSFET and analysis of basic BJT JFET and MOSFET amplifiers with Hybrid equivalent circuits It also includes the Darlington amplifier discussion amplifiers using Bootstrap technique multistage amplifiers differential amplifiers and BiCMOS cascade amplifier The in depth analysis of the frequency response of various amplifiers is also included in the book Finally the book covers all the aspects of rectifiers types of filters linear regulators power supplies and switching regulators The book uses straightforward and lucid language to explain each topic The book provides the logical method of describing the various complicated issues and stepwise methods to make understanding easy The variety of solved examples is the feature of this book The book explains the subject's philosophy which makes understanding the concepts evident and makes the subject more interesting *Analog Electronic Circuits Laboratory Manual* Farzin Asadi,2023-04-06 This is a book for a lab course meant to accompany or follow any standard course in electronic circuit analysis It has been written for sophomore or junior electrical and computer engineering students either concurrently with their electronic circuit analysis class or following that class This book is appropriate for non majors such as students in other branches of engineering and in physics for which electronic circuits is a required course or elective and for whom a working knowledge of electronic circuits is desirable This book has the following objectives 1 To support verify and supplement the theory to show the relations and differences between theory and practice 2 To teach measurement techniques 3 To convince students that what they are taught in their lecture classes is real and useful 4 To help make students tinkerers and make them used to asking what if questions **Electronic cryptographic communications equipment specialist (AFSC 30650)**. John M. Hardy,Douglas R. Long,1985 **Precision measuring equipment technician (AFSC 32470)** ,1984 *A Textbook of Applied Electronics (LPSPE)* Sedha R.S.,2022-01-03 For close to 30 years *A Textbook of Applied Electronics* has been a comprehensive text for undergraduate students of Electronics and

Communications Engineering The book comprises of 35 chapters all delving on important concepts such as structure of solids DC resistive circuits PN junction PN junction diode rectifiers and filters hybrid parameters power amplifiers sinusoidal oscillators and time base circuits In addition the book consists of several chapter wise questions and detailed diagrams to understand the complex concepts of applied electronics better This book is also becomes an essential read for aspirants preparing for competitive examinations like GATE and NET

Principles of Electronics [LPSPE] VK Mehta | Rohit Mehta, In its 40th year Principles of Electronics remains a comprehensive and succinct textbook for students preparing for B Tech B E B Sc diploma and various other engineering examinations It also caters to the requirements of those readers who wish to increase their knowledge and gain a sound grounding in the basics of electronics Concepts fundamental to the understanding of the subject such as electron emission atomic structure transistors semiconductor physics gas filled tubes modulation and demodulation semiconductor diode and regulated D C power supply have been included added and updated in the book as full chapters to give the reader a well rounded view of the subject

Electrical Power Systems Technology, Third Edition Dale R. Patrick, Stephen W. Fardo, 2020-12-17 Covering the gamut of technologies and systems used in the generation of electrical power this reference provides an easy to understand overview of the production distribution control conversion and measurement of electrical power The content is presented in an easy to understand style so that readers can develop a basic comprehensive understanding of the many parts of complex electrical power systems The authors describe a broad array of essential characteristics of electrical power systems from power production to its conversion to another form of energy Each system is broken down into sub systems and equipment that are further explored in the chapters of each unit Simple mathematical presentations are used with practical applications to provide an easier understanding of basic power system operation Many illustrations are included to facilitate understanding This new third edition has been edited throughout to assure its content and illustration clarity and a new chapter covering control devices for power control has been added

Pulse-Width Modulated DC-DC Power Converters Marian K. Kazimierczuk, 2015-10-26 PWM DC DC power converter technology underpins many energy conversion systems including renewable energy circuits active power factor correctors battery chargers portable devices and LED drivers Following the success of Pulse Width Modulated DC DC Power Converters this second edition has been thoroughly revised and expanded to cover the latest challenges and advances in the field Key features of 2nd edition Four new chapters detailing the latest advances in power conversion focus on small signal model and dynamic characteristics of the buck converter in continuous conduction mode voltage mode control of buck converter small signal model and characteristics of the boost converter in the discontinuous conduction mode and electromagnetic compatibility EMC Provides readers with a solid understanding of the principles of operation synthesis analysis and design of PWM power converters and semiconductor power devices including wide band gap power devices SiC and GaN Fully revised Solutions for all end of chapter problems available to instructors via the book

companion website Step by step derivation of closed form design equations with illustrations Fully revised figures based on real data With improved end of chapter summaries of key concepts review questions problems and answers biographies and case studies this is an essential textbook for graduate and senior undergraduate students in electrical engineering Its superior readability and clarity of explanations also makes it a key reference for practicing engineers and research scientists

Practical Analog Electronics for Technicians W A Kimber,2013-11-05 Practical Analog Electronics for Technicians not only provides an accessible introduction to electronics but also supplies all the problems and practical activities needed to gain hands on knowledge and experience This emphasis on practice is surprisingly unusual in electronics texts and has already gained Will Kimber popularity through the companion volume Practical Digital Electronics for Technicians Written to cover the Advanced GNVQ optional unit in electronics this book is also ideal for BTEC National A level electronics and City Guilds courses Together with Practical Digital Electronics for Technicians this text comprises a complete practical electronics course designed for students with little prior knowledge of the subject [The Art of Linear Electronics](#) John Linsley Hood,2013-10-22 The Art of Linear Electronics presents the principal aspects of linear electronics and techniques in linear electronic circuit design The book provides a wide range of information on the elucidation of the methods and techniques in the design of linear electronic circuits The text discusses such topics as electronic component symbols and circuit drawing passive and active semiconductor components DC and low frequency amplifiers and the basic effects of feedback Subjects on frequency response modifying circuits and filters audio amplifiers low frequency oscillators and waveform generators and power supply systems are covered as well Electronics engineers and readers with an interest in linear electronics design but with minimal experience in the field will find the book very useful *Op Amps: Design, Application, and Troubleshooting* David Terrell,1996-03-27 OP Amps deliberately straddles that imaginary line between the technician and engineering worlds Topics are carefully addressed on three levels operational overview numerical analysis and design procedures Troubleshooting techniques are presented that rely on the application of fundamental electronics principles Systematic methods are shown that can be used to diagnose defects in many kinds of circuits that employ operational amplifiers One of the book s greatest strengths is the easy to read conversational writing style The author speaks directly to the student in a manner that encourages learning This book explains the technical details of operational amplifier circuits in clear and understandable language without sacrificing technical depth Easy to read conversational style communicates procedures an technical details in simple language Three levels of technical material operational overview manericall analysis and design procedures Mathematics limited to algebraic manipulation [Sensors, Circuits, and Systems for Scientific Instruments](#) Soumyajit Mandal,2024-12-05 Sensors Circuits and Systems for Scientific Instruments A Unified Approach presents a unified treatment of modern measurement systems by integrating relevant knowledge in sensors circuits signal processing and machine learning It also presents detailed case studies of several real life measurement

systems to illustrate how theoretical analysis and high level designs are translated into working scientific instruments The book is meant for upper level undergraduate and beginning graduate students in electrical and computer engineering applied physics and biomedical engineering It is designed to fill a gap in the market between books focused on specific components of measurement systems semiconductor devices analog circuits digital signal processing etc and books that provide a high level survey or handbook type overview of a wide range of sensors and measurement systems Develops a unified treatment of modern scientific instruments by combining knowledge of high performance sensors semiconductor devices circuits signal processing and embedded computing Focuses on fundamental concepts in precision sensing and interface circuitry accuracy precision linearity noise etc and their impact on system level performance instead of presenting a laundry list of sensor types Introduces readers to the indispensable role of signal detection theory pattern recognition and machine learning for modern scientific instrumentation Presents multiple case studies and examples to demonstrate how theoretical concepts are translated into real life measurement systems

Electronics Installation and Maintenance Book, Electronics Circuits United States. Naval Ship Systems Command,1965 *Electronics - I* Mr. Rohit Manglik,2024-04-06 EduGorilla Publication is a trusted name in the education sector committed to empowering learners with high quality study materials and resources Specializing in competitive exams and academic support EduGorilla provides comprehensive and well structured content tailored to meet the needs of students across various streams and levels

Electrical Power Systems Technology Dale R. Patrick,Stephen W. Fardo,Brian W. Fardo,2022-06-01 Electrical Power Systems Technology Fourth Edition covers a wide range of technologies and systems used in the generation distribution control conversion and measurement of electrical power This reference book provides a foundational overview presented in a basic easy to understand manner The content is organized in a logical pedagogical style using five basic power system components Measurement Generation Distribution Control and Conversion Each of these basic systems is broken down into sub systems equipment and components that are explored in greater detail in each of the 18 chapters Simplified mathematical concepts are described with practical applications to assist in fundamental understanding Abundant illustrations almost one per page are used to add visual information to supplement technical knowledge development The fourth edition has been edited to provide improved information and clarity including many new illustrations An additional chapter Chapter 18 Evolving Power System Technologies and Considerations has been added to describe issues related to power system operation

Ground Radio Communications Specialist Francis J. Drollinger,1984 **Computational Paradigm Techniques for Enhancing Electric Power Quality** L. Ashok Kumar,S Albert Alexander,2018-11-15 This book focusses on power quality improvement and enhancement techniques with aid of intelligent controllers and experimental results It covers topics ranging from the fundamentals of power quality indices mitigation methods advanced controller design and its step by step approach simulation of the proposed controllers for real time applications and its corresponding

experimental results performance improvement paradigms and its overall analysis which helps readers understand power quality from its fundamental to experimental implementations The book also covers implementation of power quality improvement practices Key Features Provides solution for the power quality improvement with intelligent techniques Incorporated and Illustrated with simulation and experimental results Discusses renewable energy integration and multiple case studies pertaining to various loads Combines the power quality literature with power electronics based solutions Includes implementation examples datasets experimental and simulation procedures

Reviewing **Shunt Voltage Regulator Schematic**: Unlocking the Spellbinding Force of Linguistics

In a fast-paced world fueled by information and interconnectivity, the spellbinding force of linguistics has acquired newfound prominence. Its capacity to evoke emotions, stimulate contemplation, and stimulate metamorphosis is really astonishing. Within the pages of "**Shunt Voltage Regulator Schematic**," an enthralling opus penned by a highly acclaimed wordsmith, readers attempt an immersive expedition to unravel the intricate significance of language and its indelible imprint on our lives. Throughout this assessment, we shall delve into the book's central motifs, appraise its distinctive narrative style, and gauge its overarching influence on the minds of its readers.

http://www.frostbox.com/results/book-search/Documents/Trail_Lite_7000_User_Manual.pdf

Table of Contents Shunt Voltage Regulator Schematic

1. Understanding the eBook Shunt Voltage Regulator Schematic
 - The Rise of Digital Reading Shunt Voltage Regulator Schematic
 - Advantages of eBooks Over Traditional Books
2. Identifying Shunt Voltage Regulator Schematic
 - Exploring Different Genres
 - Considering Fiction vs. Non-Fiction
 - Determining Your Reading Goals
3. Choosing the Right eBook Platform
 - Popular eBook Platforms
 - Features to Look for in an Shunt Voltage Regulator Schematic
 - User-Friendly Interface
4. Exploring eBook Recommendations from Shunt Voltage Regulator Schematic
 - Personalized Recommendations
 - Shunt Voltage Regulator Schematic User Reviews and Ratings
 - Shunt Voltage Regulator Schematic and Bestseller Lists

5. Accessing Shunt Voltage Regulator Schematic Free and Paid eBooks
 - Shunt Voltage Regulator Schematic Public Domain eBooks
 - Shunt Voltage Regulator Schematic eBook Subscription Services
 - Shunt Voltage Regulator Schematic Budget-Friendly Options
6. Navigating Shunt Voltage Regulator Schematic eBook Formats
 - ePub, PDF, MOBI, and More
 - Shunt Voltage Regulator Schematic Compatibility with Devices
 - Shunt Voltage Regulator Schematic Enhanced eBook Features
7. Enhancing Your Reading Experience
 - Adjustable Fonts and Text Sizes of Shunt Voltage Regulator Schematic
 - Highlighting and Note-Taking Shunt Voltage Regulator Schematic
 - Interactive Elements Shunt Voltage Regulator Schematic
8. Staying Engaged with Shunt Voltage Regulator Schematic
 - Joining Online Reading Communities
 - Participating in Virtual Book Clubs
 - Following Authors and Publishers Shunt Voltage Regulator Schematic
9. Balancing eBooks and Physical Books Shunt Voltage Regulator Schematic
 - Benefits of a Digital Library
 - Creating a Diverse Reading Collection Shunt Voltage Regulator Schematic
10. Overcoming Reading Challenges
 - Dealing with Digital Eye Strain
 - Minimizing Distractions
 - Managing Screen Time
11. Cultivating a Reading Routine Shunt Voltage Regulator Schematic
 - Setting Reading Goals Shunt Voltage Regulator Schematic
 - Carving Out Dedicated Reading Time
12. Sourcing Reliable Information of Shunt Voltage Regulator Schematic
 - Fact-Checking eBook Content of Shunt Voltage Regulator Schematic
 - Distinguishing Credible Sources
13. Promoting Lifelong Learning

- Utilizing eBooks for Skill Development
 - Exploring Educational eBooks
14. Embracing eBook Trends
- Integration of Multimedia Elements
 - Interactive and Gamified eBooks

Shunt Voltage Regulator Schematic Introduction

Shunt Voltage Regulator Schematic Offers over 60,000 free eBooks, including many classics that are in the public domain. Open Library: Provides access to over 1 million free eBooks, including classic literature and contemporary works. Shunt Voltage Regulator Schematic Offers a vast collection of books, some of which are available for free as PDF downloads, particularly older books in the public domain. Shunt Voltage Regulator Schematic : This website hosts a vast collection of scientific articles, books, and textbooks. While it operates in a legal gray area due to copyright issues, its a popular resource for finding various publications. Internet Archive for Shunt Voltage Regulator Schematic : Has an extensive collection of digital content, including books, articles, videos, and more. It has a massive library of free downloadable books. Free-eBooks Shunt Voltage Regulator Schematic Offers a diverse range of free eBooks across various genres. Shunt Voltage Regulator Schematic Focuses mainly on educational books, textbooks, and business books. It offers free PDF downloads for educational purposes. Shunt Voltage Regulator Schematic Provides a large selection of free eBooks in different genres, which are available for download in various formats, including PDF. Finding specific Shunt Voltage Regulator Schematic, especially related to Shunt Voltage Regulator Schematic, might be challenging as theyre often artistic creations rather than practical blueprints. However, you can explore the following steps to search for or create your own Online Searches: Look for websites, forums, or blogs dedicated to Shunt Voltage Regulator Schematic, Sometimes enthusiasts share their designs or concepts in PDF format. Books and Magazines Some Shunt Voltage Regulator Schematic books or magazines might include. Look for these in online stores or libraries. Remember that while Shunt Voltage Regulator Schematic, sharing copyrighted material without permission is not legal. Always ensure youre either creating your own or obtaining them from legitimate sources that allow sharing and downloading. Library Check if your local library offers eBook lending services. Many libraries have digital catalogs where you can borrow Shunt Voltage Regulator Schematic eBooks for free, including popular titles. Online Retailers: Websites like Amazon, Google Books, or Apple Books often sell eBooks. Sometimes, authors or publishers offer promotions or free periods for certain books. Authors Website Occasionally, authors provide excerpts or short stories for free on their websites. While this might not be the Shunt Voltage Regulator Schematic full book , it can give you a taste of the authors writing style. Subscription Services Platforms like Kindle Unlimited or Scribd offer subscription-based

access to a wide range of Shunt Voltage Regulator Schematic eBooks, including some popular titles.

FAQs About Shunt Voltage Regulator Schematic Books

1. Where can I buy Shunt Voltage Regulator Schematic books? Bookstores: Physical bookstores like Barnes & Noble, Waterstones, and independent local stores. Online Retailers: Amazon, Book Depository, and various online bookstores offer a wide range of books in physical and digital formats.
2. What are the different book formats available? Hardcover: Sturdy and durable, usually more expensive. Paperback: Cheaper, lighter, and more portable than hardcovers. E-books: Digital books available for e-readers like Kindle or software like Apple Books, Kindle, and Google Play Books.
3. How do I choose a Shunt Voltage Regulator Schematic book to read? Genres: Consider the genre you enjoy (fiction, non-fiction, mystery, sci-fi, etc.). Recommendations: Ask friends, join book clubs, or explore online reviews and recommendations. Author: If you like a particular author, you might enjoy more of their work.
4. How do I take care of Shunt Voltage Regulator Schematic books? Storage: Keep them away from direct sunlight and in a dry environment. Handling: Avoid folding pages, use bookmarks, and handle them with clean hands. Cleaning: Gently dust the covers and pages occasionally.
5. Can I borrow books without buying them? Public Libraries: Local libraries offer a wide range of books for borrowing. Book Swaps: Community book exchanges or online platforms where people exchange books.
6. How can I track my reading progress or manage my book collection? Book Tracking Apps: Goodreads, LibraryThing, and Book Catalogue are popular apps for tracking your reading progress and managing book collections. Spreadsheets: You can create your own spreadsheet to track books read, ratings, and other details.
7. What are Shunt Voltage Regulator Schematic audiobooks, and where can I find them? Audiobooks: Audio recordings of books, perfect for listening while commuting or multitasking. Platforms: Audible, LibriVox, and Google Play Books offer a wide selection of audiobooks.
8. How do I support authors or the book industry? Buy Books: Purchase books from authors or independent bookstores. Reviews: Leave reviews on platforms like Goodreads or Amazon. Promotion: Share your favorite books on social media or recommend them to friends.
9. Are there book clubs or reading communities I can join? Local Clubs: Check for local book clubs in libraries or community centers. Online Communities: Platforms like Goodreads have virtual book clubs and discussion groups.

10. Can I read Shunt Voltage Regulator Schematic books for free? Public Domain Books: Many classic books are available for free as they're in the public domain. Free E-books: Some websites offer free e-books legally, like Project Gutenberg or Open Library.

Find Shunt Voltage Regulator Schematic :

trail lite 7000 user manual

trailblazer fuse box diagram

trail camera buyers guide

trane x39641170-01a-user manual

traffic report washington state

traefone instruction manual lg420g

traditional catholic calendar 2014

trailer light wiring 92 suburban

traffic enforcement agent guide

trane 4twx6 operation manual

trane xl 1600 instal manual

trane mural heat pump manual

traffic enforcement study guide

tractor operation guide

training kyle hard hits 10 siren publishing classic manlove

Shunt Voltage Regulator Schematic :

first responder flashcards with first responder - Dec 07 2022

web first responder workbook instructor edition read chapter 1 of emergency care for professional responders then complete the following activities key terms referring to

first responder workbook - Aug 03 2022

web first responder definition 1 someone whose job is to be one of the first people to arrive to deal with an emergency learn more

final exam answer key emergency first response - Aug 15 2023

web emergency first response secondary care final exam answer key title untitled created date 7 1 2008 8 17 53 am
[september 11 attacks first responder deaths from post 9 11](#) - Sep 23 2021

web first responder a person trained in emergency care who may be called on to provide such care as a routine part of his or her job often the first trained professional to respond to
[workbook first responders](#) - Sep 04 2022

web first responder vehicle i yangına ilk müdahale aracı 2 genel first responder vehicle i ilk müdahale aracı medical 3 medikal first responder phase i birincil ilk yardım evresi 4

canadian red cross emergency care workbook - Jul 14 2023

web first responder a person trained in emergency care who may be called on to provide such care as a routine part of his job often the first trained professional to respond to
[the professional responder](#) - Oct 05 2022

web key terms referring to emergency care for professional responders define the following terms abandonment confidentiality consent critical incident stress cis duty to act
[medi pro first aid training in kelowna and](#) - Mar 10 2023

web medi pro first aid training in kelowna and vancouver bc
appendix emergency first response - Nov 06 2022

web updated 2020 emergency care for professional responders workbook first responders emr emergency care for professional responders workbook workbook answer
[free first responder answer key pdf gccca eu](#) - Nov 25 2021

web sep 11 2023 first responder deaths from post 9 11 illnesses nearly equals number of firefighters who died that day by jason carroll and zoe sottile cnn updated 2 57 pm
first responder english meaning cambridge dictionary - Jun 01 2022

web first responder definition a person who is certified to provide medical care in emergencies before more highly trained medical personnel arrive on the scene a firefighter trained as
[first responder definition meaning dictionary com](#) - Mar 30 2022

web this post is password protected to view it please enter your password below password
workbook answer keys first responders - Jan 28 2022

web mar 29 2023 this on line notice first responder answer key pdf as without difficulty as review them wherever you are now learn ios 7 app development james bucanek

first respond key terms flashcards quizlet - May 12 2023

web first respond key terms study flashcards learn write spell test play match gravity created by michael yungen terms in this set 16 emergency medical

how to become a first responder plus types and skills - Feb 26 2022

web how chemtrec helps first responders first responder answer key frontline first aid answer key fr study guide 2019 07 07 frontlinefirstaid ca 1 of 138 table

tureng first responder türkçe İngilizce sözlük - Jul 02 2022

web below as capably as review first responder answer key what you taking into consideration to read guide for all hazard emergency operations planning kay c

first responder workbook instructor edition - Apr 11 2023

web key terms referring to emergency care for professional responders fg tpg vjg hqnnqykpi vgtou c ctfqw u ocvgtkcnu substances that are harmful or toxic

participant final exam answer key emergency first response - Jun 13 2023

web emergency first response primary care cpr participant final exam answer key a b c d 1 14 phone number true hfals 2 h h h 3 h h h 15 4 h 5 h h h 6 7 h h h 8 h

workbook ans revised chapter 1 the responder key terms - Jul 22 2021

mp police constable answer key 2023 released here s direct link - Oct 25 2021

web canadian red cross emergency care workbook answer key chapter 1 the responder key terms abandonment ending care of an ill or injured person

canadian red cross emergency care workbook - Aug 23 2021

first responder answer key pdf - Apr 30 2022

web mar 3 2023 in this article we discuss many types of first responders their skills and how to become a first responder what is a first responder a first responder is a health

canadian red cross first responder workbook - Jan 08 2023

web primary care final exam answer key 25 secondary care final exam answer key 26 course enrolment form 27 skills completion form 28 a 1 course return form 29

first responder answer key test prconvention com - Dec 27 2021

web sep 15 2023 madhya pradesh employees selection board mpesb has released the provisional answer key of the mp police constable recruitment test 2023 eligible

hazmat first responder awareness fra level i - Feb 09 2023

web radioactive material first responders at the level are individuals who are likely to witness or discover a hazardous substance release and who have been trained to initiate

learn urdu in 30 minutes all the basics you need youtube - Jun 05 2022

web feb 16 2018 learn urdu in 30 minutes all the basics you need learn urdu with urdupod101 com 137k subscribers 39k share 2m views 5 years ago urdu made easy all compilations learn urdu

learn urdu through english ksu - Aug 19 2023

web learn urdu through english academics india publishers new delhi 110008 india learn urdu through english 1 about the book this book in your hand is an easy way to learn urdu through english a native speaker of english language is presumably aware of at least the basics of english grammar like sentence structure grammatical

urdu english course learn 2000 essential urdu words with - Sep 20 2023

web oct 20 2023 we provide an urdu english course with over 100 free lessons which helps users improve their urdu and english this includes urdu translations as well as images and sentences to help you learn english faster our top 10 lessons include numbers colours fruits vegetables and household items

english uk urdu for beginners table of contents goethe - Mar 14 2023

web learn urdu quickly and easily with book 2 mp3 language courses urdu as a foreign language includes 100 easy lessons 100 lessons are free all dialogues and sentences are spoken by native speakers no prior grammar knowledge is needed you can start learning immediately just click on the sentences to see the answers

learn english speaking in urdu apps on google play - Mar 02 2022

web oct 3 2023 learn english through urdu language from this complete english speaking course this app can help you to learn english in urdu and will teach you how to improve your english and

learn urdu through english for beginners youtube - Apr 03 2022

web sep 26 2015 urdu language learning course through english of speaking writing consist of learn urdu through english lessons for beginners urdu language course is designed by

learn urdu through english lessons for beginners class central - Dec 11 2022

web english urdu speaking course learn urdu language lessons beginners reading and writing learn to write urdu alphabet urdu writing and pronunciation of urdu alphabet characters and words diacritics in urdu language for writing and pronunciation short vowels and aaraabs urdu speaking

learn urdu through english apps on google play - Jul 18 2023

web mar 30 2023 embark on a language learning adventure and unlock the wonders of urdu with learn urdu through

english download the app now and experience a world of opportunities in your hands start

learn english through urdu course urdu to english speaking - Feb 01 2022

web oct 18 2016 learn english speaking conversation and practice through urdu in fast urdu to english spoken course for beginners this urdu to english speaking video also focuses on improving

learn urdu quickly apps on google play - Jul 06 2022

web aug 4 2018 learn urdu language through english with our free language translator app learn to speak urdu today study urdu in an entertaining way the app turns learning into a fun filled

ling the best way to learn urdu - Nov 10 2022

web with 200 bite sized urdu lessons learning urdu has never been so easy start to learn urdu now for free

learn urdu online free urdu lessons lingohut - Apr 15 2023

web free urdu lessons lingohut as always provides a user friendly platform with 125 free lessons tailored to grant you mastery over urdu vocabulary and pronunciation each lesson is a 5 minute capsule of linguistic essentials equipped with voice recordings to guide your pronunciation to native like fluency

learn urdu through english youtube - Jun 17 2023

web learn urdu through english youtube my name is tariq urdu is a persianised and standardised register language of the hindustani language it is the official national language and lingua franca

learn urdu from english apps on google play - Sep 08 2022

web oct 22 2022 learn urdu from english easily achieve your goal of fluently talking in urdu this app is made to teach you urdu through english for free features of learn urdu from

learn urdu through english android için son sürüm apk yı - Oct 09 2022

web mar 30 2023 learn urdu through english İngilizceden urduca öğrenin bu uygulama İngilizce yoluyla urduca Öğrenmenize yardımcı olur uygulama bilgisi versiyon 2 0 kategori eğitim march 30 2023 yükler geliştirici curious language içerik derecelendirme get it on indirmek apk uygulama tanımı

learn urdu language for beginners through english youtube - Feb 13 2023

web oct 20 2016 show more we learn urdu language speaking common sentences for beginners through english you can learn urdu writing with the video tutorial lessons as all the sentences are written

learn urdu through english english urdu - Jan 12 2023

web learn urdu through english let s learn urdu with mr tariq part one urdu basic common sentences lesson one learn urdu basic common sentences free for foreigners watch on part two learn urdu basic common sentences three learn to speak urdu with native speakers four frequently used sentences in urdu speaking

learn urdu through english online languages home - May 04 2022

web learn urdu through english online assamese english gujarati kannada malayalam odia punjabi tamil listen audio i mein he woh she woh you aap respect it yeh a ek come aao aaiye respect came aaya he aayee she aaye plural will come aayega he aayegi she aayenge plural open khola kholiye

urdu language course languages tutor - Aug 07 2022

web the languages tutor offers an online urdu course for all ages of students kids males and females we all know that learning a new language itself is a difficult task you need a native urdu teacher to learn from them as we have been teaching the urdu language online for the last 13 years to hundreds of students around the uk usa and the

learn urdu through english for beginners lesson 1 youtube - May 16 2023

web sep 9 2016 learn urdu language through english for beginners lesson 1 teaches basic urdu words and phrases in english in lesson 1 learn how do you greet people in urdu language how to say

cael test sample essay best writing service - Apr 22 2022

web cael test sample essay essay research paper coursework discussion board post questions answers term paper powerpoint presentation research proposal case study rewriting editing book review outline revision article critique dissertation memo letter proofreading annotated bibliography dissertation chapter methodology

cael overview test centre cael - Aug 27 2022

web cael is a test designed to measure the english language proficiency of students planning to study in canadian post secondary institutions cael is one of the best tools for identifying students with the right english skills for academic success

cael prep writing strategies essay structure part 1 s3 e7 - Mar 02 2023

web 1 9k views 1 year ago cael writing in today s cael prep with brandi she will go over writing strategies for essay writing and how to approach them on the cael test show more

cael ce sample test part 1 pdf question cognition scribd - Nov 29 2022

web fsample test part 1 speaking on a visual 2 instructions your professor shows you an image describe and explain what you see you will be evaluated on the content of your response the accuracy of your language and your ability to reference details in the image

cael practice questions complete test preparation inc - May 04 2023

web oct 1 2018 the cael has 2 sections written which includes reading listening and and essay questions and a spoken section cael practice test questions below

cael test sample essay best writing service - Mar 22 2022

web cael test sample essay best writing service reviews hire 4 8 5 total orders 9096 cael test sample essay 100 success rate

great i am on it 626 finished papers your credit card will be billed as writingserv 938 777 7752 devellux inc 1012 e osceola pkwy suite 23 kissimmee fl 34744 dre 01103083 andre cardoso 30 in global rating

[sample writing test question for the exam with comments cael exam](#) - Jul 06 2023

web here is a cael sample writing question like the one you might see on academic unit a of your cael exam you have 35 minutes to write an essay agreeing or disagreeing with the following statement describe the arguments before and against genetic engineering and comment on whether any compromise on its use might be possible

cael essay checklist what to include in your essays - Sep 27 2022

web cael essay checklist the essay checklist tells you what examiners want to see in your essay responses on academic units a and b of the test the five following aspects of your written work will be assessed so keep these things in mind as you respond to the writing questions in the academic units on the cael 1

test format cael - Dec 31 2022

web cael assesses test takers english language proficiency in an academic context the test reports scores on four components speaking reading listening and writing cael test format fully computer delivered take the fully computer delivered cael test at home online or at one of our 40 test centres total test time is about 3 5 hours the

free practice tests cael - Oct 09 2023

web these two online sample tests are a great place to start your cael preparation journey the sample tests demonstrate the format of the test the question types and will give you an idea of what skills you need to focus on try now

pdf downloads of practice tests for the cael cael exam - Jun 05 2023

web speaking tasks based on the integrated listening passages with sample responses 2 academic unit a tests with reading listening and extended writing tasks 2 academic unit b tests with reading listening and short writing tasks sample responses for all of the writing tasks with writing tips

[cael topics oral test sample exams with mp3s](#) - Jul 26 2022

web cael topics oral test page information on the cael oral test also called the cael olt oral language test free mp3s speaking advice and help

free cael practice tps tutor help - Jun 24 2022

web for information about the exam browse the cael exam page and get information on study tips strategies skills and topics and information on recent exams i have also posted links to practice exams in reading and listening as well as cael writing and speaking and you child can even take a mock writing and speaking test and be scored for free

cael test sample essay fast service - Feb 18 2022

web cael test sample essay fast service clear up to a k scholarship for qualifying new students starting at your first course

students with eligible credits and relevant experience on average save k and 1 year off their undergraduate degree estimate your savings eligible transfer credits could cover up to 75 of your bachelor s degree

free resources cael - Aug 07 2023

web free downloads tests we offer a variety of free resources to help you prepare and succeed on the test including guidebooks online webinars online practice tests and blog posts offering advice and information guidebook for test takers a test taker focused guide that covers test format scoring and more overview for test takers

test overview cael - Oct 29 2022

web cael is a test designed to measure the english language proficiency of students planning to study in canadian post secondary institutions cael is one of the best tools for identifying students with the right english skills for academic success

cael test sample essay best writing service - May 24 2022

web essays service custom writing company the key to success quality is the most important aspect in our work 96 return clients 4 8 out of 5 average quality score strong quality assurance double order checking and plagiarism checking

10 tips for taking the cael exam world education services - Apr 03 2023

web jun 13 2018 practice using a computer you will take the cael ce on your computer therefore ensure that you are comfortable with a mouse and keyboard practicing with cael ce s free sample test is a good way to familiarize with this format remember that cael ce is a test of academic english

home cael - Feb 01 2023

web online cael online is available to test takers in canada mexico the usa brazil colombia singapore vietnam hong kong south korea japan india the united arab emirates and indonesia and can be done in the comfort of your own home view test day info cael at a test centre

the cael assessment writing test sample essays - Sep 08 2023

web the cael assessment writing the cael assessment writing test is in academic units a and b of the cael test what is the format of the essay questions you will see the essay topic after the listening tasks in the academic units all of the parts of the cael academic units are on the same topic