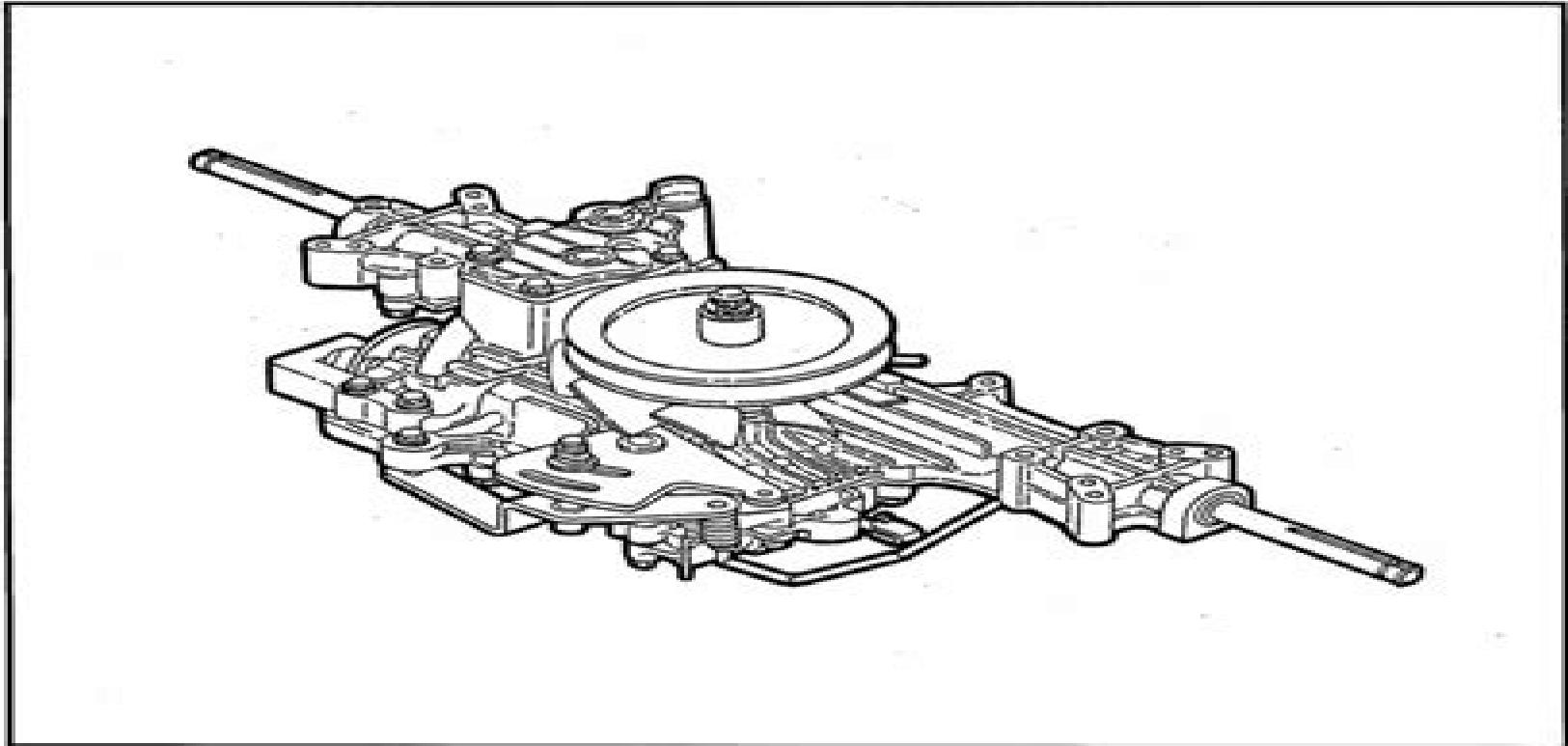


# **SNAPPER®**

## **TUFF TORQ MODEL K50/K55 HYDROSTATIC TRANSAXLE**



## **SERVICE MANUAL**

# Tuff Torq Service Manual

**Caterpillar Inc**



## **Tuff Torq Service Manual:**

**Moody's Industrial Manual** ,1994 Covering New York American regional stock exchanges international companies

**Moody's OTC Industrial Manual** ,1995 Companies traded over the counter or on regional conferences **Thomas**

**Register of American Manufacturers and Thomas Register Catalog File** ,1997 Vols for 1970 71 includes manufacturers catalogs Chilton's Commercial Carrier Journal for Professional Fleet Managers ,1996-07 **U.S. Industrial Directory**

,1984 **Chemical Engineering Equipment Buyers' Guide** ,1992 Who's who of American Women ,1984 **Package**

**Engineering Including Modern Packaging** ,1981 *The Advertising Red Books* ,2008-07 **Who's Who of American**

**Women, 1986-1987** Marquis Who's Who,1986-11 **Design News** ,1978 *Service Manual, Disassembly & Assembly*

Caterpillar Inc,1972 **Service Manual, Systems Operations, Testing & Adjusting, Specifications** Caterpillar

Inc,1972 Service Manual for Torque Converter and Transmission Allis-Chalmers Manufacturing Company,196?

**Direct Support and General Support Maintenance Manual** ,1976 Operator and Organizational Maintenance

Manual ,1990 *Truck service manual* ,1984 **Service Manual** ,1970 Ford Taurus & Mercury Sable Owners

Workshop Manual Bob Henderson,John Harold Haynes,1988 Models covered Ford Taurus Mercury Sable 1986 through 1988

**Service Manual** ,1965

Tuff Torq Service Manual: Bestsellers in 2023 The year 2023 has witnessed a remarkable surge in literary brilliance, with numerous compelling novels captivating the hearts of readers worldwide. Lets delve into the realm of top-selling books, exploring the fascinating narratives that have charmed audiences this year. The Must-Read : Colleen Hoover "It Ends with Us" This touching tale of love, loss, and resilience has gripped readers with its raw and emotional exploration of domestic abuse. Hoover expertly weaves a story of hope and healing, reminding us that even in the darkest of times, the human spirit can succeed. Uncover the Best : Taylor Jenkins Reids "The Seven Husbands of Evelyn Hugo" This spellbinding historical fiction novel unravels the life of Evelyn Hugo, a Hollywood icon who defies expectations and societal norms to pursue her dreams. Reids absorbing storytelling and compelling characters transport readers to a bygone era, immersing them in a world of glamour, ambition, and self-discovery. Discover the Magic : Delia Owens "Where the Crawdads Sing" This evocative coming-of-age story follows Kya Clark, a young woman who grows up alone in the marshes of North Carolina. Owens spins a tale of resilience, survival, and the transformative power of nature, captivating readers with its evocative prose and mesmerizing setting. These popular novels represent just a fraction of the literary treasures that have emerged in 2023. Whether you seek tales of romance, adventure, or personal growth, the world of literature offers an abundance of engaging stories waiting to be discovered. The novel begins with Richard Papen, a bright but troubled young man, arriving at Hampden College. Richard is immediately drawn to the group of students who call themselves the Classics Club. The club is led by Henry Winter, a brilliant and charismatic young man. Henry is obsessed with Greek mythology and philosophy, and he quickly draws Richard into his world. The other members of the Classics Club are equally as fascinating. Bunny Corcoran is a wealthy and spoiled young man who is always looking for a good time. Charles Tavis is a quiet and reserved young man who is deeply in love with Henry. Camilla Macaulay is a beautiful and intelligent young woman who is drawn to the power and danger of the Classics Club. The students are all deeply in love with Morrow, and they are willing to do anything to please him. Morrow is a complex and mysterious figure, and he seems to be manipulating the students for his own purposes. As the students become more involved with Morrow, they begin to commit increasingly dangerous acts. The Secret History is a brilliant and gripping novel that will keep you speculating until the very end. The novel is a warning tale about the dangers of obsession and the power of evil.

[http://www.frostbox.com/files/Resources/Download\\_PDFS/shriver\\_and\\_atkins\\_inorganic\\_chemistry\\_solutions\\_manual.pdf](http://www.frostbox.com/files/Resources/Download_PDFS/shriver_and_atkins_inorganic_chemistry_solutions_manual.pdf)

## **Table of Contents Tuff Torq Service Manual**

1. Understanding the eBook Tuff Torq Service Manual
  - The Rise of Digital Reading Tuff Torq Service Manual
  - Advantages of eBooks Over Traditional Books
2. Identifying Tuff Torq Service Manual
  - Exploring Different Genres
  - Considering Fiction vs. Non-Fiction
  - Determining Your Reading Goals
3. Choosing the Right eBook Platform
  - Popular eBook Platforms
  - Features to Look for in an Tuff Torq Service Manual
  - User-Friendly Interface
4. Exploring eBook Recommendations from Tuff Torq Service Manual
  - Personalized Recommendations
  - Tuff Torq Service Manual User Reviews and Ratings
  - Tuff Torq Service Manual and Bestseller Lists
5. Accessing Tuff Torq Service Manual Free and Paid eBooks
  - Tuff Torq Service Manual Public Domain eBooks
  - Tuff Torq Service Manual eBook Subscription Services
  - Tuff Torq Service Manual Budget-Friendly Options
6. Navigating Tuff Torq Service Manual eBook Formats
  - ePub, PDF, MOBI, and More
  - Tuff Torq Service Manual Compatibility with Devices
  - Tuff Torq Service Manual Enhanced eBook Features
7. Enhancing Your Reading Experience
  - Adjustable Fonts and Text Sizes of Tuff Torq Service Manual
  - Highlighting and Note-Taking Tuff Torq Service Manual
  - Interactive Elements Tuff Torq Service Manual
8. Staying Engaged with Tuff Torq Service Manual

- Joining Online Reading Communities
  - Participating in Virtual Book Clubs
  - Following Authors and Publishers Tuff Torq Service Manual
9. Balancing eBooks and Physical Books Tuff Torq Service Manual
- Benefits of a Digital Library
  - Creating a Diverse Reading Collection Tuff Torq Service Manual
10. Overcoming Reading Challenges
- Dealing with Digital Eye Strain
  - Minimizing Distractions
  - Managing Screen Time
11. Cultivating a Reading Routine Tuff Torq Service Manual
- Setting Reading Goals Tuff Torq Service Manual
  - Carving Out Dedicated Reading Time
12. Sourcing Reliable Information of Tuff Torq Service Manual
- Fact-Checking eBook Content of Tuff Torq Service Manual
  - Distinguishing Credible Sources
13. Promoting Lifelong Learning
- Utilizing eBooks for Skill Development
  - Exploring Educational eBooks
14. Embracing eBook Trends
- Integration of Multimedia Elements
  - Interactive and Gamified eBooks

### **Tuff Torq Service Manual Introduction**

In this digital age, the convenience of accessing information at our fingertips has become a necessity. Whether its research papers, eBooks, or user manuals, PDF files have become the preferred format for sharing and reading documents. However, the cost associated with purchasing PDF files can sometimes be a barrier for many individuals and organizations. Thankfully, there are numerous websites and platforms that allow users to download free PDF files legally. In this article, we will explore some of the best platforms to download free PDFs. One of the most popular platforms to download free PDF files is Project Gutenberg. This online library offers over 60,000 free eBooks that are in the public domain. From classic literature to

historical documents, Project Gutenberg provides a wide range of PDF files that can be downloaded and enjoyed on various devices. The website is user-friendly and allows users to search for specific titles or browse through different categories. Another reliable platform for downloading Tuff Torq Service Manual free PDF files is Open Library. With its vast collection of over 1 million eBooks, Open Library has something for every reader. The website offers a seamless experience by providing options to borrow or download PDF files. Users simply need to create a free account to access this treasure trove of knowledge. Open Library also allows users to contribute by uploading and sharing their own PDF files, making it a collaborative platform for book enthusiasts. For those interested in academic resources, there are websites dedicated to providing free PDFs of research papers and scientific articles. One such website is Academia.edu, which allows researchers and scholars to share their work with a global audience. Users can download PDF files of research papers, theses, and dissertations covering a wide range of subjects. Academia.edu also provides a platform for discussions and networking within the academic community. When it comes to downloading Tuff Torq Service Manual free PDF files of magazines, brochures, and catalogs, Issuu is a popular choice. This digital publishing platform hosts a vast collection of publications from around the world. Users can search for specific titles or explore various categories and genres. Issuu offers a seamless reading experience with its user-friendly interface and allows users to download PDF files for offline reading. Apart from dedicated platforms, search engines also play a crucial role in finding free PDF files. Google, for instance, has an advanced search feature that allows users to filter results by file type. By specifying the file type as "PDF," users can find websites that offer free PDF downloads on a specific topic. While downloading Tuff Torq Service Manual free PDF files is convenient, it is important to note that copyright laws must be respected. Always ensure that the PDF files you download are legally available for free. Many authors and publishers voluntarily provide free PDF versions of their work, but it is essential to be cautious and verify the authenticity of the source before downloading Tuff Torq Service Manual. In conclusion, the internet offers numerous platforms and websites that allow users to download free PDF files legally. Whether it is classic literature, research papers, or magazines, there is something for everyone. The platforms mentioned in this article, such as Project Gutenberg, Open Library, Academia.edu, and Issuu, provide access to a vast collection of PDF files. However, users should always be cautious and verify the legality of the source before downloading Tuff Torq Service Manual any PDF files. With these platforms, the world of PDF downloads is just a click away.

### **FAQs About Tuff Torq Service Manual Books**

1. Where can I buy Tuff Torq Service Manual books? Bookstores: Physical bookstores like Barnes & Noble, Waterstones,

- and independent local stores. Online Retailers: Amazon, Book Depository, and various online bookstores offer a wide range of books in physical and digital formats.
2. What are the different book formats available? Hardcover: Sturdy and durable, usually more expensive. Paperback: Cheaper, lighter, and more portable than hardcovers. E-books: Digital books available for e-readers like Kindle or software like Apple Books, Kindle, and Google Play Books.
  3. How do I choose a Tuff Torq Service Manual book to read? Genres: Consider the genre you enjoy (fiction, non-fiction, mystery, sci-fi, etc.). Recommendations: Ask friends, join book clubs, or explore online reviews and recommendations. Author: If you like a particular author, you might enjoy more of their work.
  4. How do I take care of Tuff Torq Service Manual books? Storage: Keep them away from direct sunlight and in a dry environment. Handling: Avoid folding pages, use bookmarks, and handle them with clean hands. Cleaning: Gently dust the covers and pages occasionally.
  5. Can I borrow books without buying them? Public Libraries: Local libraries offer a wide range of books for borrowing. Book Swaps: Community book exchanges or online platforms where people exchange books.
  6. How can I track my reading progress or manage my book collection? Book Tracking Apps: Goodreads, LibraryThing, and Book Catalogue are popular apps for tracking your reading progress and managing book collections. Spreadsheets: You can create your own spreadsheet to track books read, ratings, and other details.
  7. What are Tuff Torq Service Manual audiobooks, and where can I find them? Audiobooks: Audio recordings of books, perfect for listening while commuting or multitasking. Platforms: Audible, LibriVox, and Google Play Books offer a wide selection of audiobooks.
  8. How do I support authors or the book industry? Buy Books: Purchase books from authors or independent bookstores. Reviews: Leave reviews on platforms like Goodreads or Amazon. Promotion: Share your favorite books on social media or recommend them to friends.
  9. Are there book clubs or reading communities I can join? Local Clubs: Check for local book clubs in libraries or community centers. Online Communities: Platforms like Goodreads have virtual book clubs and discussion groups.
  10. Can I read Tuff Torq Service Manual books for free? Public Domain Books: Many classic books are available for free as they're in the public domain. Free E-books: Some websites offer free e-books legally, like Project Gutenberg or Open Library.



**Find Tuff Torq Service Manual :**

**shriver and atkins inorganic chemistry solutions manual**

*short comprehension activities for year 7*

*siemens hicom 150e manual*

*shrimp spinach capers pasta recipe*

*short story paragraph for middle school*

*shoppers guide berkshires ma*

*short story about animals for 3rd grade*

*shrimp bisque recipe paula deen*

**shore fishing rigs guide**

**siemens lathe g m codes**

*siemens phones user manual*

**showcase presents blue beetle**

**sidecar service manual**

*siemens sensation 4 technical manual*

*show maths memo 2014 for grade11*

**Tuff Torq Service Manual :**

*a boy after god s own heart your awesome adventure with jesus - Jan 28 2023*

web boy after god s own heart a your awesome adventure with jesus ebook jim george 9780736945035 christianbook com by jim george harvest house

**a boy after god s own heart your awesome adventure with - May 20 2022**

web paperback 6 49 16 used from 0 79 4 new from 6 49 boys have a lot competing for their attention and peer pressure can be tremendous making it a challenge to

*a boy after god s own heart your awesome adventure with - Dec 15 2021*

*a boy after god s own heart your awesome adventure with - Jun 20 2022*

web sep 1 2012 a boy after god s own heart on apple books your awesome adventure with jesus jim george 4 0 1 rating 11 99 publisher description boys have a lot

**product reviews a boy after god s own heart your awesome** - Jul 22 2022

web boys have a lot competing for their attention and peer pressure can be tremendous making it a challenge to encourage them toward the things of god and living the

**a boy after god s own heart your awesome adventure with jesus** - Nov 13 2021

**a boy after god s own heart your awesome adventure with jesus** - Jan 16 2022

web boys will learn the value of honoring and respecting their parents the keys to making right choices and decisions how to choose the best kinds of friends and be a good

*a boy after god s own heart your awesome adventure* - Oct 05 2023

web sep 1 2012 a boy after god s own heart your awesome adventure with jesus george jim on amazon com free shipping on qualifying offers a boy after god s

**a boy after god s own heart your awesome adventure with jesus** - Apr 30 2023

web a boy after god s own heart your awesome adventure with jesus jim george amazon co uk books children s books religions christianity buy new 6 49

**a boy after god s own heart your awesome adventure** - Dec 27 2022

web boys will learn the value of honoring and respecting their parents the keys to making right choices and decisions how to choose the best kinds of friends and be a good friend the

a boy after god s own heart your awesome adventure - Aug 03 2023

web your awesome adventure with jesus 18 45 20 50 isbn 9780736945028 format paperback pricing attribute normal page count 112 publication date 1 sep 12

boy after god s own heart a cru media ministry - Jul 02 2023

web title a boy after god s own heart your awesome adventure with jesus author george jim publisher harvest house publishers publication date 2012 isbn

**a boy after god s own heart your awesome adventure with** - Oct 25 2022

web a boy after god s own heart your awesome adventure with jesus george jim amazon sg books

**boy after god s own heart a your awesome adventure with** - Nov 25 2022

web sep 1 2012 a boy after god s own heart your awesome adventure with jesus jim george harvest house publishers sep 1 2012 juvenile nonfiction 112 pages boys

**a boy after god s own heart your awesome adventure with jesus** - Jun 01 2023

web boys have a lot competing for their attention and peer pressure can be tremendous making it a challenge to encourage

them toward the things of god and living the

*a boy after god s own heart your awesome adventure* - Feb 26 2023

web sep 1 2012 a boy after god s own heart your awesome adventure with jesus by jim george 2 5 4 write a review

paperback 11 99 paperback 11 99 ebook

**a boy after god s own heart your awesome adventure** - Sep 04 2023

web a boy after god s own heart your awesome adventure with jesus by jim george harvest house publishers 2012 paperback

5 out of 5 stars for a boy after god s

[a boy after god s own heart your awesome adventure with jesus](#) - Feb 14 2022

web a boy after god s own heart your awesome adventure with jesus by jim george alibris buy a boy after god s own heart

your awesome adventure with jesus by

*a boy after god s own heart your awesome adventure* - Mar 30 2023

web a boy after god s own heart your awesome adventure with jesus ebook written by jim george read this book using google

play books app on your pc android ios

[a boy after god s own heart your awesome adventure with jesus](#) - Sep 23 2022

web a boy after god s own heart your awesome adventure with jesus jim george harvest house publishers 2012 trade

paperback 8 99 retail 12 99 save 31

**a boy after god s own heart your awesome adventure with** - Aug 23 2022

web abebooks com a boy after god s own heart your awesome adventure with jesus 9780736945028 by george jim and a

great selection of similar new used and

[a boy after god s own heart your awesome adventure with jesus](#) - Mar 18 2022

web a boy after god s own heart your awesome adventure with jesus boys have a lot competing for their attention and peer

pressure can be tremendous making it a

**a boy after god s own heart apple books** - Apr 18 2022

web a boy after god s own heart your awesome adventure with jesus has 112 pages a boy after god s own heart your

awesome adventure with jesus the average

**art of the battle of little bighorn points west online** - Feb 13 2023

web jun 21 2019 luiseño artist fritz scholder 1937 2005 combined two famous battle of little bighorn images and made

significant commentary to deep seated historical views in his custer and 20 000 indians completed in 1969 scholder

referenced the early historic newspaper illustration by william de la montagne cary the death struggle of general

**why was the battle of little bighorn significant history hit** - Jun 05 2022

web jan 14 2022 timeline america 1765 1865 revolutions fought on steep ravines and ragged ridges the battle of little bighorn also known as custer s last stand and the battle of the greasy grass by

**battle of the little bighorn custer s last stand youtube** - Jul 06 2022

web the battle of the little bighorn known to the native americans lakota sioux as the battle of the greasy grass and also known as custer s last stand was a battle fought in 1876 between combined

the battle of the little bighorn a graphic histor dan simmons - Mar 02 2022

web graphic planet is an imprint of magic wagon a division of abdo publishing group grades 3 6 reno court of inquiry conduct at the battle of the little bighorn brian v hunt 2016 12 06 one of the most important documents in american military history the reno court of inquiry is the detailed testimony about the conduct of major marcus reno

**battle of the little bighorn britannica** - May 16 2023

web oct 9 2023 battle of the little bighorn battle at the little bighorn river in montana territory on june 25 1876 between u s federal troops led by lieutenant colonel george a custer and northern plains indians lakota and northern cheyenne led by sitting bull custer and all the men under his immediate command were slain

battle of the little bighorn custer s last stand history - Apr 03 2022

web mar 11 2021 1 1m views 2 years ago custer crazyhorse usa the battle of the little bighorn will go down in history as one of the most famous battles of the american indian wars this is the story

**story of the battle little bighorn battlefield national monument** - Jan 12 2023

web the battle of the little bighorn was fought along the ridges steep bluffs and ravines of the little bighorn river in south central montana on june 25 26 1876 the combatants were warriors of the lakota sioux northern cheyenne and arapaho tribes battling men of the 7 th regiment of the us cavalry along with their crow and arikara scouts

**battle of little bighorn historynet** - Aug 07 2022

web battle of little big horn summary the battle of little bighorn occurred in 1876 and is commonly referred to as custer s last stand the battle took place between the u s cavalry and northern tribe indians including the cheyenne sioux and arapaho

*the battle of the little bighorn a graphic history of the american* - Sep 20 2023

web jan 16 2012 gary jeffrey from clacton on sea essex uk was a boy who grew up wanting to be an artist which worked okay for ten years until the pressing needs of a burgeoning family forced the young dreamer to nut up and get a job

**the battle of the little bighorn a graphic histor brian v hunt** - Feb 01 2022

web natives to the reservation which led to the battle of little bighorn witness the last battle general custer participated in with this impressive graphic novel maps timelines glossaries and indexes make these titles an exciting addition to classroom discussion graphic planet is an imprint of magic wagon a division of abdo publishing group

**little bighorn a place of reflection u s national park service** - Dec 11 2022

web mar 28 2023 little bighorn a place of reflection this area memorializes the us army s 7th cavalry crow and arikara scouts and the lakotas cheyennes and arapaho in one of the american indian s last armed efforts to preserve their way of life

[battle of the little bighorn location cause significance history](#) - Aug 19 2023

web dec 2 2009 the battle of the little bighorn fought on june 25 1876 near the little bighorn river in montana territory pitted federal troops led by lieutenant colonel george armstrong custer

[what really happened at the battle of the little bighorn history](#) - Jun 17 2023

web feb 27 2018 graphicaartis getty images under skies darkened by smoke gunfire and flying arrows 210 men of the u s army s 7th cavalry unit led by lt colonel george custer confronted thousands of lakota

*[battle of the little bighorn photos and premium high res](#)* - Sep 08 2022

web browse 234 battle of the little bighorn photos and images available or start a new search to explore more photos and images browse getty images premium collection of high quality authentic battle of the little bighorn stock photos royalty free images and pictures battle of the little bighorn stock photos are available in a variety of

**disputed methods the battle of the little bighorn jstor** - May 04 2022

web archaeological perspectives on the battle of the little bighorn is a much needed and useful interdisciplinary approach that begins with the existing printed record the authors douglas scott richard fox melissa connor and dick harmon appreciate the importance as well as the limitations of the historical record in interpreting past events

*[history culture little bighorn battlefield national monument](#)* - Nov 10 2022

web dec 21 2022 history culture little bighorn battlefield national monument was first set aside as a national cemetery memorializing the soldiers of the 7 th cavalry regiment who died in the 1876 battle over time interpretation of the battle and the participants on both sides spurred the designation of a national monument in the 1940s

**images of custer and the battle of the little bighorn thoughtco** - Mar 14 2023

web may 31 2018 and the latest portrayal of the little bighorn is never more than a few minutes old the national battlefield site has webcams images of george armstrong custer s final battle at the little bighorn became iconic in the late 19th century and made custer a mythic figure

*[battle of the little bighorn wikipedia](#)* - Jul 18 2023

web the battle of the little bighorn known to the lakota and other plains indians as the battle of the greasy grass and commonly referred to as custer s last stand was an armed engagement between combined forces of the lakota sioux northern cheyenne and arapaho tribes and the 7th cavalry regiment of the united states army

[the battle of the little bighorn history tutor2u](#) - Apr 15 2023

web oct 24 2017 study notes in 1874 the construction of the northern pacific railroad was approaching sioux indian hunting grounds in dakota george custer a us army commander was ordered to protect the construction workers from plains indian attacks however custer began to mine for gold in the black hills

**the battle of the little bighorn gcse history by clever lili** - Oct 09 2022

web there were 4 main reasons for the battle of the little bighorn in 1875 gold was discovered in the black hills of south dakota this led to an influx of gold miners which broke the second fort laramie treaty the us government did nothing to  
[download lippincott biochemistry 6th edition pdf free](#) - Sep 15 2023

web may 2 2022 download lippincott biochemistry 6th edition pdf free direct link medical study zone lippincott s illustrated reviews biochemistry 6th edition pdf for

[biochemistry lippincott s illustrated reviews 6th edition](#) - Apr 10 2023

web title lippincott illustrated reviews biochemistry 7th edition 2017 author ferrier denise r category biology biochemistry language english isbn

[lippincott pharmacology 6th edition pdf free download](#) - Mar 29 2022

**biochemistry lippincott illustrated review paperback amazon in** - Dec 26 2021

**lippincott illustrated reviews biochemistry lww** - Jan 27 2022

**biochemistry lippincotts illustrated res series 5th fifth edition by** - Sep 03 2022

web lippincott williams wilkins 2014 medical 552 pages lippincott s illustrated reviews biochemistry is the long established first and best resource for the essentials

**lippincott s illustrated reviews biochemistry 5th edition pdf** - Oct 24 2021

[file download lippincotts biochemistry 6th edition pdf by ferrier](#) - Jul 13 2023

web oct 9 2022 download lippincott biochemistry latest edition pdf free now you can download lippincott biochemistry latest edition pdf from medicalstudyzone com

**lippincott s biochemistry 7th edition pdf free download** - Aug 02 2022

web product description selected as a doody s core title for 2021 2022 and 2023 praised by faculty and students for more than two decades lippincott illustrated reviews

**biochemistry denise r ferrier google books** - Feb 25 2022

[lippincott s illustrated reviews biochemistry 6th edition - Jul 01 2022](#)

web defective wrong and missing item 10 days from delivery replacement selected as a doody s core title for 2021 2022 and 2023 praised by faculty and students for more

[lippincott illustrated reviews biochemistry 8th edition - Jan 07 2023](#)

web jun 9 2016 book review lippincott s illustrated reviews biochemistry is the long established first and best resource for the essentials of biochemistry students rely on

[lippincott biochemistry latest edition pdf free download - May 11 2023](#)

web chapter 6 bioenergetics and oxidative phosphorylation add to remove from your favorites chapter 7 introduction to carbohydrates add to remove from your

**lippincott illustrated reviews biochemistry seventh edition - Apr 29 2022**

web sign in lippincott s illustrated reviews biochemistry 5th edition pdf google drive sign in

**biochemistry lippincott s illustrated review 6th edition pdf free - Jun 12 2023**

web jan 1 2013 biochemistry lippincott s illustrated reviews 6th edition by ph d ferrier denise r author 4 3 138 ratings see all formats and editions

**lippincott biochemistry 6th edition free download pdf - Aug 14 2023**

web read download file pdf lippincotts biochemistry 6th edition by ferrier denise r update the latest version with high quality try now

[lippincott s illustrated reviews biochemistry 6e medical - Feb 08 2023](#)

web aug 8 2021 name lippincott illustrated reviews biochemistry edition 7th file type pdf file size 400 mb download

lippincott s biochemistry 7th edition by

[lippincott biochemistry 8th edition pdf free - Mar 09 2023](#)

web biochemistry lippincotts illustrated res series 5th fifth edition by richard a harvey denise r ferrier published by lippincott williams wilkins 2010 paperback edition

**download lippincott illustrated reviews biochemistry 7th edition - Oct 04 2022**

web the sixth edition of lippincott pharmacology the student favorite guide to the fundamentals of medical pharmacology has been revised and improved the lippincott

**lippincott illustrated reviews biochemistry 7th - Dec 06 2022**

web lippincott s illustrated reviews biochemistry 6th edition by ferrier denise r from flipkart com only genuine products 30 day replacement guarantee free shipping

**lippincott s illustrated reviews biochemistry 6 e - Nov 24 2021**

**free download lippincotts biochemistry 6th edition** - Nov 05 2022

web lippincott illustrated reviews biochemistry is the long established first and best resource for the essentials of biochemistry students rely on this text to help them

[lippincott s illustrated reviews biochemistry 6th edition](#) - May 31 2022

web jan 1 2013 43 27 129 only 1 left in stock order soon biochemistry lippincott williams wilkins ferrier 2013 edn 6 language english publisher wolter