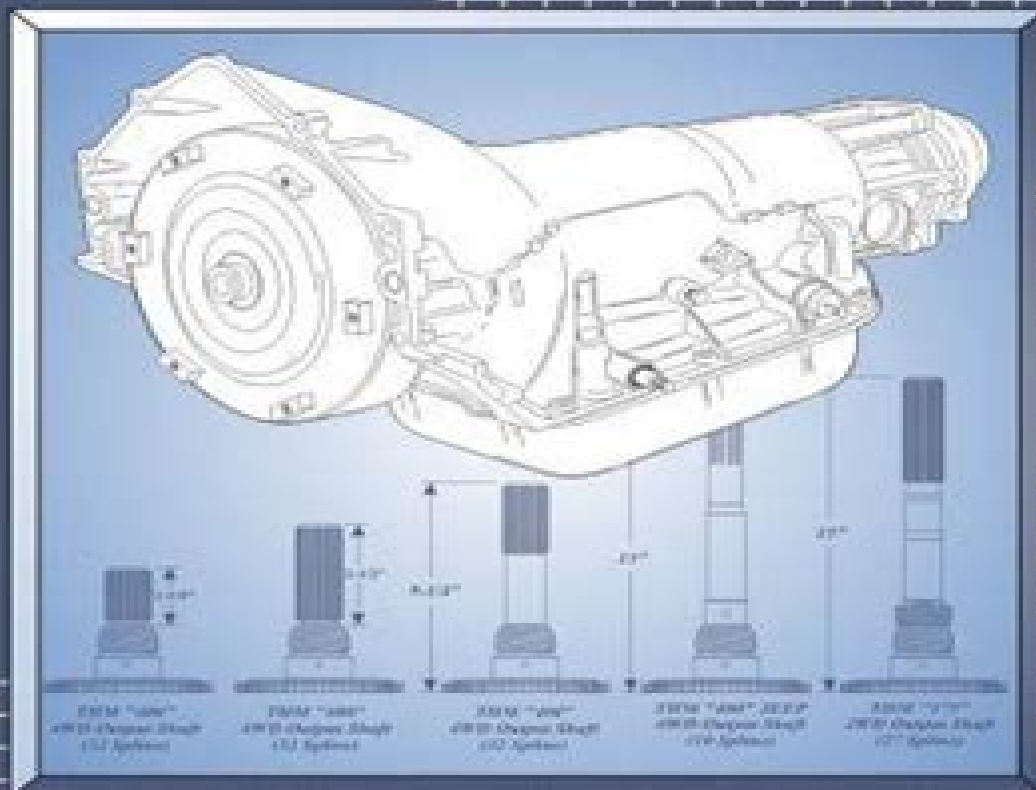




**GENERAL MOTORS  
THM 400  
TECHTRAN™ MANUAL**

**3  
2  
8  
0**



**AUTOMATIC TRANSMISSION SERVICE GROUP**

# Turbo 400 Transmission Rebuild Manual

**Ensheng Dong**



## **Turbo 400 Transmission Rebuild Manual:**

Turbo 400 Transmission Rebuild Manual: Bestsellers in 2023 The year 2023 has witnessed a noteworthy surge in literary brilliance, with numerous compelling novels captivating the hearts of readers worldwide. Lets delve into the realm of popular books, exploring the engaging narratives that have charmed audiences this year. Turbo 400 Transmission Rebuild Manual : Colleen Hoover's "It Ends with Us" This touching tale of love, loss, and resilience has captivated readers with its raw and emotional exploration of domestic abuse. Hoover masterfully weaves a story of hope and healing, reminding us that even in the darkest of times, the human spirit can prevail. Turbo 400 Transmission Rebuild Manual : Taylor Jenkins Reids "The Seven Husbands of Evelyn Hugo" This spellbinding historical fiction novel unravels the life of Evelyn Hugo, a Hollywood icon who defies expectations and societal norms to pursue her dreams. Reids absorbing storytelling and compelling characters transport readers to a bygone era, immersing them in a world of glamour, ambition, and self-discovery. Discover the Magic : Delia Owens "Where the Crawdads Sing" This mesmerizing coming-of-age story follows Kya Clark, a young woman who grows up alone in the marshes of North Carolina. Owens spins a tale of resilience, survival, and the transformative power of nature, captivating readers with its evocative prose and mesmerizing setting. These top-selling novels represent just a fraction of the literary treasures that have emerged in 2023. Whether you seek tales of romance, adventure, or personal growth, the world of literature offers an abundance of captivating stories waiting to be discovered. The novel begins with Richard Papan, a bright but troubled young man, arriving at Hampden College. Richard is immediately drawn to the group of students who call themselves the Classics Club. The club is led by Henry Winter, a brilliant and charismatic young man. Henry is obsessed with Greek mythology and philosophy, and he quickly draws Richard into his world. The other members of the Classics Club are equally as fascinating. Bunny Corcoran is a wealthy and spoiled young man who is always looking for a good time. Charles Tavis is a quiet and reserved young man who is deeply in love with Henry. Camilla Macaulay is a beautiful and intelligent young woman who is drawn to the power and danger of the Classics Club. The students are all deeply in love with Morrow, and they are willing to do anything to please him. Morrow is a complex and mysterious figure, and he seems to be manipulating the students for his own purposes. As the students become more involved with Morrow, they begin to commit increasingly dangerous acts. The Secret History is a brilliant and thrilling novel that will keep you speculating until the very end. The novel is a warning tale about the dangers of obsession and the power of evil.

[http://www.frostbox.com/files/publication/default.aspx/victoria\\_sponge\\_recipe\\_in\\_ounces.pdf](http://www.frostbox.com/files/publication/default.aspx/victoria_sponge_recipe_in_ounces.pdf)

### Table of Contents Turbo 400 Transmission Rebuild Manual

1. Understanding the eBook Turbo 400 Transmission Rebuild Manual
  - The Rise of Digital Reading Turbo 400 Transmission Rebuild Manual
  - Advantages of eBooks Over Traditional Books
2. Identifying Turbo 400 Transmission Rebuild Manual
  - Exploring Different Genres
  - Considering Fiction vs. Non-Fiction
  - Determining Your Reading Goals
3. Choosing the Right eBook Platform
  - Popular eBook Platforms
  - Features to Look for in an Turbo 400 Transmission Rebuild Manual
  - User-Friendly Interface
4. Exploring eBook Recommendations from Turbo 400 Transmission Rebuild Manual
  - Personalized Recommendations
  - Turbo 400 Transmission Rebuild Manual User Reviews and Ratings
  - Turbo 400 Transmission Rebuild Manual and Bestseller Lists
5. Accessing Turbo 400 Transmission Rebuild Manual Free and Paid eBooks
  - Turbo 400 Transmission Rebuild Manual Public Domain eBooks
  - Turbo 400 Transmission Rebuild Manual eBook Subscription Services
  - Turbo 400 Transmission Rebuild Manual Budget-Friendly Options
6. Navigating Turbo 400 Transmission Rebuild Manual eBook Formats
  - ePub, PDF, MOBI, and More
  - Turbo 400 Transmission Rebuild Manual Compatibility with Devices
  - Turbo 400 Transmission Rebuild Manual Enhanced eBook Features
7. Enhancing Your Reading Experience
  - Adjustable Fonts and Text Sizes of Turbo 400 Transmission Rebuild Manual
  - Highlighting and Note-Taking Turbo 400 Transmission Rebuild Manual
  - Interactive Elements Turbo 400 Transmission Rebuild Manual
8. Staying Engaged with Turbo 400 Transmission Rebuild Manual

- Joining Online Reading Communities
  - Participating in Virtual Book Clubs
  - Following Authors and Publishers Turbo 400 Transmission Rebuild Manual
9. Balancing eBooks and Physical Books Turbo 400 Transmission Rebuild Manual
- Benefits of a Digital Library
  - Creating a Diverse Reading Collection Turbo 400 Transmission Rebuild Manual
10. Overcoming Reading Challenges
- Dealing with Digital Eye Strain
  - Minimizing Distractions
  - Managing Screen Time
11. Cultivating a Reading Routine Turbo 400 Transmission Rebuild Manual
- Setting Reading Goals Turbo 400 Transmission Rebuild Manual
  - Carving Out Dedicated Reading Time
12. Sourcing Reliable Information of Turbo 400 Transmission Rebuild Manual
- Fact-Checking eBook Content of Turbo 400 Transmission Rebuild Manual
  - Distinguishing Credible Sources
13. Promoting Lifelong Learning
- Utilizing eBooks for Skill Development
  - Exploring Educational eBooks
14. Embracing eBook Trends
- Integration of Multimedia Elements
  - Interactive and Gamified eBooks

### **Turbo 400 Transmission Rebuild Manual Introduction**

Free PDF Books and Manuals for Download: Unlocking Knowledge at Your Fingertips In today's fast-paced digital age, obtaining valuable knowledge has become easier than ever. Thanks to the internet, a vast array of books and manuals are now available for free download in PDF format. Whether you are a student, professional, or simply an avid reader, this treasure trove of downloadable resources offers a wealth of information, conveniently accessible anytime, anywhere. The advent of online libraries and platforms dedicated to sharing knowledge has revolutionized the way we consume information. No longer confined to physical libraries or bookstores, readers can now access an extensive collection of digital books and

manuals with just a few clicks. These resources, available in PDF, Microsoft Word, and PowerPoint formats, cater to a wide range of interests, including literature, technology, science, history, and much more. One notable platform where you can explore and download free Turbo 400 Transmission Rebuild Manual PDF books and manuals is the internet's largest free library. Hosted online, this catalog compiles a vast assortment of documents, making it a veritable goldmine of knowledge. With its easy-to-use website interface and customizable PDF generator, this platform offers a user-friendly experience, allowing individuals to effortlessly navigate and access the information they seek. The availability of free PDF books and manuals on this platform demonstrates its commitment to democratizing education and empowering individuals with the tools needed to succeed in their chosen fields. It allows anyone, regardless of their background or financial limitations, to expand their horizons and gain insights from experts in various disciplines. One of the most significant advantages of downloading PDF books and manuals lies in their portability. Unlike physical copies, digital books can be stored and carried on a single device, such as a tablet or smartphone, saving valuable space and weight. This convenience makes it possible for readers to have their entire library at their fingertips, whether they are commuting, traveling, or simply enjoying a lazy afternoon at home. Additionally, digital files are easily searchable, enabling readers to locate specific information within seconds. With a few keystrokes, users can search for keywords, topics, or phrases, making research and finding relevant information a breeze. This efficiency saves time and effort, streamlining the learning process and allowing individuals to focus on extracting the information they need. Furthermore, the availability of free PDF books and manuals fosters a culture of continuous learning. By removing financial barriers, more people can access educational resources and pursue lifelong learning, contributing to personal growth and professional development. This democratization of knowledge promotes intellectual curiosity and empowers individuals to become lifelong learners, promoting progress and innovation in various fields. It is worth noting that while accessing free Turbo 400 Transmission Rebuild Manual PDF books and manuals is convenient and cost-effective, it is vital to respect copyright laws and intellectual property rights. Platforms offering free downloads often operate within legal boundaries, ensuring that the materials they provide are either in the public domain or authorized for distribution. By adhering to copyright laws, users can enjoy the benefits of free access to knowledge while supporting the authors and publishers who make these resources available. In conclusion, the availability of Turbo 400 Transmission Rebuild Manual free PDF books and manuals for download has revolutionized the way we access and consume knowledge. With just a few clicks, individuals can explore a vast collection of resources across different disciplines, all free of charge. This accessibility empowers individuals to become lifelong learners, contributing to personal growth, professional development, and the advancement of society as a whole. So why not unlock a world of knowledge today? Start exploring the vast sea of free PDF books and manuals waiting to be discovered right at your fingertips.

### FAQs About Turbo 400 Transmission Rebuild Manual Books

How do I know which eBook platform is the best for me? Finding the best eBook platform depends on your reading preferences and device compatibility. Research different platforms, read user reviews, and explore their features before making a choice. Are free eBooks of good quality? Yes, many reputable platforms offer high-quality free eBooks, including classics and public domain works. However, make sure to verify the source to ensure the eBook credibility. Can I read eBooks without an eReader? Absolutely! Most eBook platforms offer webbased readers or mobile apps that allow you to read eBooks on your computer, tablet, or smartphone. How do I avoid digital eye strain while reading eBooks? To prevent digital eye strain, take regular breaks, adjust the font size and background color, and ensure proper lighting while reading eBooks. What the advantage of interactive eBooks? Interactive eBooks incorporate multimedia elements, quizzes, and activities, enhancing the reader engagement and providing a more immersive learning experience. Turbo 400 Transmission Rebuild Manual is one of the best book in our library for free trial. We provide copy of Turbo 400 Transmission Rebuild Manual in digital format, so the resources that you find are reliable. There are also many Ebooks of related with Turbo 400 Transmission Rebuild Manual. Where to download Turbo 400 Transmission Rebuild Manual online for free? Are you looking for Turbo 400 Transmission Rebuild Manual PDF? This is definitely going to save you time and cash in something you should think about. If you trying to find then search around for online. Without a doubt there are numerous these available and many of them have the freedom. However without doubt you receive whatever you purchase. An alternate way to get ideas is always to check another Turbo 400 Transmission Rebuild Manual. This method for see exactly what may be included and adopt these ideas to your book. This site will almost certainly help you save time and effort, money and stress. If you are looking for free books then you really should consider finding to assist you try this. Several of Turbo 400 Transmission Rebuild Manual are for sale to free while some are payable. If you arent sure if the books you would like to download works with for usage along with your computer, it is possible to download free trials. The free guides make it easy for someone to free access online library for download books to your device. You can get free download on free trial for lots of books categories. Our library is the biggest of these that have literally hundreds of thousands of different products categories represented. You will also see that there are specific sites catered to different product types or categories, brands or niches related with Turbo 400 Transmission Rebuild Manual. So depending on what exactly you are searching, you will be able to choose e books to suit your own need. Need to access completely for Campbell Biology Seventh Edition book? Access Ebook without any digging. And by having access to our ebook online or by storing it on your computer, you have convenient answers with Turbo 400 Transmission Rebuild Manual To get started finding Turbo 400 Transmission Rebuild Manual, you are right to find our website which has a comprehensive collection of books online. Our library is the biggest of these that have literally hundreds of thousands of different products represented. You will also see that there are specific sites catered



to different categories or niches related with Turbo 400 Transmission Rebuild Manual So depending on what exactly you are searching, you will be able to choose ebook to suit your own need. Thank you for reading Turbo 400 Transmission Rebuild Manual. Maybe you have knowledge that, people have search numerous times for their favorite readings like this Turbo 400 Transmission Rebuild Manual, but end up in harmful downloads. Rather than reading a good book with a cup of coffee in the afternoon, instead they juggled with some harmful bugs inside their laptop. Turbo 400 Transmission Rebuild Manual is available in our book collection an online access to it is set as public so you can download it instantly. Our digital library spans in multiple locations, allowing you to get the most less latency time to download any of our books like this one. Merely said, Turbo 400 Transmission Rebuild Manual is universally compatible with any devices to read.

### Find Turbo 400 Transmission Rebuild Manual :

#### **victoria sponge recipe in ounces**

~~vhl central leccion 6 grammar quiz answers~~

*veuf la bleue*

*victory vegas kingpin service repair workshop manual*

vhl central solutions manual chapter 15

viking corporation customer service

~~ving-vc-2100 manual~~

#### **vintage movie stars 05 hedy lamarr volume 5**

#### **vespa lx50 lx 4t usa full service repair manual 2005 onwards**

*vindicated a jenny watkins mystery book 6*

#### **vibration plate exercise guide**

~~vestiges quantika t~~

vesperia artes guide

#### **vespa lx4t usa 49cc scooter shop manual 2005 2009**

#### **vietnamese dmv manual**

### Turbo 400 Transmission Rebuild Manual :

#### **the aprn and pa s complete guide to prescribing drug therapy - Jul 01 2023**

web jul 6 2021 the aprn and pa s complete guide to prescribing drug therapy 2022 intersperses clinically useful information

throughout such as monitored laboratory values patient teaching points and safety

[aprn and pa s complete guide to prescribing drug therapy the](#) - May 19 2022

web the aprn and pa s complete guide to prescribing drug therapy 2022 intersperses clinically useful information throughout such as monitored laboratory values patient teaching points and safety information section i alphabetically presents

pharmacotherapy regimens for more than 600 clinical diagnoses

[the pa s complete guide to prescribing drug therapy 2019](#) - Mar 17 2022

web the pa s complete guide to prescribing drug therapy 2019 original pdf from publisher quantity a quick access guide to current drug recommendations with regular digital updates

**the pa s complete guide to prescribing drug therapy 2018** - Mar 29 2023

web this is a succinct pocket sized prescribing guide that allows speedy drug reference for over 500 clinical diagnoses it is a must have book for both seasoned and new physician assistants unlike traditional pharmacology text books the information has been organized alphabetically by clinical diag

**the pa s complete guide to prescribing drug therapy 2018 overdrive** - Oct 24 2022

web apr 1 2017 this is a succinct pocket sized prescribing guide that allows speedy drug reference for over 500 clinical diagnoses it is a must have book for both seasoned and new physician assistants unlike traditional pharmacology text books the informati

**the pa s complete guide to prescribing drug therapy 2019** - Apr 29 2023

web apr 28 2018 a quick access guide to current drug recommendations with regular digital updates organized for speedy retrieval of vital information this prescribing reference is designed for pas and other advanced healthcare providers in all clinical practice settings available in print with ebook a

**the aprn s complete guide to prescribing drug therapy** - Sep 22 2022

web apr 17 2018 the aprn and pa s complete guide to prescribing drug therapy 2022 5th edition comprehensive drug guide drug reference book 2022

**the aprn and pa s complete guide to prescribing drug therapy 2020** - Feb 25 2023

web includes more than 30 new diagnoses and ebook with digital updates as needed updated to deliver the most current standards this is a unique prescribing reference for aprn students and advanced health care providers in all practice settings who need guidance on prescribing drugs for pati

*the aprn and pa s complete guide to prescribing drug therapy 2022* - Oct 04 2023

web jun 28 2021 newly updated for 2022 with the most recent drug information and clinical guidance this revised edition contains 25 new diagnoses including 15 additional cancer diagnoses and the novel coronavirus covid 19 the aprn and pa s

complete guide to prescribing drug therapy 2022 intersperses clinically useful information throughout

**the aprn and pa s complete guide to prescribing drug therapy** - Apr 17 2022

web the aprn and pa s complete guide to prescribing drug therapy 2022 intersperses clinically useful information throughout such as monitored laboratory values patient teaching points and safety information section i alphabetically presents pharmacotherapy regimens for more than 600 clinical diagnoses

the aprn and pa s complete guide to prescribing drug therapy - Jul 21 2022

web the aprn and pa s complete guide to prescribing drug therapy 2022 intersperses clinically useful information throughout such as monitored laboratory values patient teaching points and safety information section i alphabetically presents pharmacotherapy regimens for more than 600 clinical diagnoses

**the aprn and pa s complete guide to prescribing drug therapy** - Sep 03 2023

web the aprn s complete guide to prescribing drug therapy launched in 2016 the aprn s complete guide to prescribing pediatric drug therapy launched in 2017 and the pa s complete guide to prescribing drug therapy launched in 2017 are published by springer publishing company

**the aprn and pa s complete guide to prescribing drug therapy** - Aug 22 2022

web apr 26 2019 updated to deliver the most current standards this is a unique prescribing reference for aprn students and advanced health care providers in all practice settings who need guidance on prescribing drugs for patients with

**the pa s complete guide to prescribing drug therapy quick access pa** - May 31 2023

web apr 17 2018 the drug reference book is a quick access guide to current drug recommendations and it also includes regular digital updates in the free app organized for speedy retrieval of vital information this prescribing physicians drug reference guide is designed for pas and other advanced healthcare providers in all clinical practice settings

the aprn and pa s complete guide to prescribing drug therapy - Dec 26 2022

web jul 6 2021 includes 25 new diagnoses and digital updates as needed the only prescribing guide conveniently organized by clinical diagnoses for adult and pediatric patients this concise resource is an unrivaled reference tool for advanced health care providers ahcps and students in all clinical p

**the pa s complete guide to prescribing drug therapy 2019** - Jan 27 2023

web apr 28 2018 a quick access guide to current drug recommendations with regular digital updates organized for speedy retrieval of vital information this prescribing reference is designed for pas and other advanced healthcare providers in all clinical practice

**the aprn and pa s complete guide to prescribing drug therapy** - Nov 24 2022

web apr 1 2019 the aprn and pa s complete guide to prescribing drug therapy mari j wirfs published 1 april 2019 medicine

tldr this revised edition of the aprn and pa s complete guide to prescribing drug therapy 2022 contains 25 new diagnoses including 15 additional cancer diagnoses and the novel coronavirus covid 19 expand view via

**the aprn and pa s complete guide to prescribing drug therapy** - Jun 19 2022

web read reviews and buy the aprn and pa s complete guide to prescribing drug therapy 2022 5th edition by mari j wirfs paperback at target choose from same day delivery drive up or order pickup free standard shipping with 35 orders

*download the aprn s complete guide to prescribing drug therapy* - Feb 13 2022

web the aprn s complete guide to prescribing drug therapy 2018 download pdf free direct links in this part of the article you will be able to access the pdf file of the aprn s complete guide to prescribing drug therapy 2019th edition pdf free ebook by using our direct links we have uploaded the aprn s complete guide to prescribing drug

5th edition amazon com spend less smile more - Aug 02 2023

web jun 28 2021 this item the aprn and pa s complete guide to prescribing drug therapy 2022 5th edition comprehensive drug guide drug reference book 2022 32 99 32 99 get it as soon as thursday oct 26

*home made cheese from simple butter yogurt and fre john* - Jun 14 2023

web pronouncement home made cheese from simple butter yogurt and fre as competently as evaluation them wherever you are now the beginner s guide to cheese making

*home made cheese from simple butter yogurt and fre* - Jul 15 2023

web home made cheese from simple butter yogurt and fre bravetart iconic american desserts jun 11 2021 winner of the 2018 james beard foundation book award baking and desserts a new york times bestseller and named a best baking book of the year by the atlantic the wall street journal the

**home made cheese from simple butter yogurt and fre** - Jan 29 2022

web home made cheese making great cheese at home mastering basic cheesemaking the modern cheesemaker one hour cheese damn delicious home cheese making in australia making artisan cheese home made cheese from simple butter yogurt and fre downloaded from usa fre01 fibertest redmangoanalytics com by guest lozano

**dairy free yogurt cheese the easy recipe with key tips** - Feb 10 2023

web feb 21 2018 by ingredients this recipe is dairy free non dairy egg free gluten free grain free peanut free soy free vegan plant based and vegetarian for nut free dairy free yogurt cheese silk soy yogurt might work well i haven t tested it yet but it is also free of gums 5 0 from 4 reviews

*make your vegan cheese butter cream and yogurt youtube* - Aug 04 2022

web here it is after many months of work i have a finished course for you in which i will teach you how to make luxurious plant based homemade butter cheeses

home made cheese from simple butter yogurt and fre david - Jul 03 2022

web home made cheese from simple butter yogurt and fre this is likewise one of the factors by obtaining the soft documents of this home made cheese from simple butter yogurt and fre by online you might not require more era to spend to go to the book instigation as capably as search for them in some cases you likewise realize not discover

*home made cheese from simple butter yogurt and fre pdf* - Mar 31 2022

web download your e book homemade dairy products tastier and healthier alternatives to store bought cheese butter yogurt and more buy now with 1 click button the beginner s guide to cheese making elena r santogade 2017 03 21 beginners become experts cheese making made easy the beginner s guide to cheese making is an

**home made cheeses from simple butter yogurt and fresh** - Apr 12 2023

web may 31 2016 home made cheeses from simple butter yogurt and fresh cheeses to soft hard and blue cheeses an expert s guide to making successful cheese at home by paul thomas 2016 05 31 on amazon com free shipping on qualifying offers

**the complete guide to making cheese butter yogurt at home** - Oct 06 2022

web offers first hand insight into the craft takes you step by step through the process enables you to make soft hard or italian cheeses gives recipes for sour cream yogurt and butter too 288 pages upc code 400011816452 shipping usually ships in 1 2 weeks

9780754832423 home made cheese from simple butter yogurt - May 13 2023

web home made cheese from simple butter yogurt and fresh cheeses to soft hard and blue cheeses an expert s guide to making successful cheese at home artisan cheesemaking made simple by paul thomas at abebooks co uk isbn 10 0754832422 isbn 13 9780754832423 lorenz books 2016 hardcover

*how to make butter at home cheese from milk and labneh from yogurt* - Sep 05 2022

web jump to introduction 00 00 butter 00 52 white cheese 04 20 labneh 0 6 12 butter 4 cups of cream 1 2 cup yogurt flake salt white cheese 900 grams of full cream milk 1 4 cup of white

home made cheese from simple butter yogurt and fresh - Aug 16 2023

web buy home made cheese from simple butter yogurt and fresh cheeses to soft hard and blue cheeses an expert s guide to making successful cheese at home artisan cheesemaking made simple by paul thomas isbn 9780754832423 from amazon s book store everyday low prices and free delivery on eligible orders

*home made cheese from simple butter yogurt and fre* - Dec 28 2021

web this home made cheese from simple butter yogurt and fre as one of the most operating sellers here will certainly be in the course of the best options to review

**homemade cheese how to make homemade cheese yogurt quick and easy** - Jun 02 2022

web homemade cheese how to make homemade cheese yogurt quick and easy rural cuisine persian food the persian way Как приготовить домашний сыр и йогурт

**home made cheese from simple butter yogurt and fresh** - Nov 07 2022

web home made cheese from simple butter yogurt and fresh cheeses to soft hard and blue cheeses an expert s guide to making successful cheese at home by paul thomas easy homemade mac and cheese tastes better from scratch home made cheese from simple butter yogurt and fresh greek yogurt cheese fresh labneh live eat learn easy

**home made cheese from simple butter yogurt and fresh** - Dec 08 2022

web jul 9 2023 home made cheese from simple butter yogurt and fresh cheesesto soft hard and blue cheeses an expert s guide to makingsuccessful cheese at

**home made cheese from simple butter yogurt and fresh** - May 01 2022

web jul 28 2023 make cream cheese recipe gemma s bigger bolder baking nondairy substitutes for 7 mon dairy products june 2nd 2020 dairy foods play a key role in many people s diets a

*home made cheese from simple butter yogurt and fresh* - Mar 11 2023

web butter yogurt and fresh home made cheese from simple butter yogurt and fresh how to make yogurt cheese the healthy home economist 200 easy homemade cheese recipes from cheddar and brie to home made cheese from simple butter yogurt and fresh easy homemade cream cheese farmers cheese recipe

*home made cheese from simple butter yogurt and fre* - Feb 27 2022

web home made cheese from simple butter yogurt and fre 3 3 amazing how easy it is to make your own homemade cheese here is a preview of what you ll learn introduction to cheese health benefits of cheese types of cheese how to prepare homemade cheese best homemade cheese recipes the cheese recipes include tortilla

**homemade yogurt cheese recipe the spruce eats** - Jan 09 2023

web may 9 2021 steps to make it gather the ingredient the spruce stephanie goldfinger line a strainer or funnel with a double layer of cheesecloth or a single coffee filter and place it over a bowl that will be catching the liquid the spruce stephanie goldfinger spoon the yogurt into the filter or cheesecloth the spruce stephanie goldfinger

*mehmet emin kırgil İle rüyalara cevaplar mehmet emin kırgil* - May 30 2022

web mehmet emin kırgil İle rüyalara cevaplar mehmet emin kırgil 9789752429840 en iyi özellikleri ve gerçek kullanıcı yorumları en ucuz fiyatlarla n11 com da kampanyalı ve indirimli fiyatlarla satın al

[mehmet emin kırgil İle rüyalara cevaplar girdap kitap yayınları](#) - Jan 06 2023

web mehmet emin kırgil İle rüyalara cevaplar mehmet emin kırgil ile rüyalara cevaplar rüya tabirleri imam nablusi ibn sirin caferi sadık rüya yorumları girdap kitap satış sipariş girdap kitap yayınları rüya tabirleri

*mehmet emin kırgil İle rüyalara cevaplar kitap* [yurdu.com](#) - Oct 15 2023

web nov 8 2019 mehmet emin kırgil İle rüyalara cevaplar girdap kitap mehmet emin kırgil sevgili okurum bu kitabı hazırlarken yüzlerce yıl öncesinde ya giriş yap

**mehmet emin kırgil İle rüyalara cevaplar mehmet emin** - Mar 08 2023

web mehmet emin kırgil İle rüyalara cevaplar mehmet emin kırgil girdap kitap 22 İndirim 120 00 tl 93 60 tl isbn barkod 9789752429840 mağaza yayınevi marka girdap kitap yazar mehmet emin kırgil kazancınız 26 40 tl sayfa sayısı 328 kitap ebatı 14x21 toplam satılan 484 adet kargo İndirimi 399 tl üzeri kargo bedava tedarik

*mehmet emin kırgil İle rüyalara cevaplar tikla24 de* - Jun 30 2022

web mehmet emin kırgil İle rüyalara cevaplar girdap kitap sevgili okurum bu kitabı hazırlarken yüzlerce yıl öncesinde yaşamış olan cafer i sadık imam nablusi imam ibn i mehmet emin kırgil İle rüyalara cevaplar mehmet emin kırgil tikla24 de

[mehmet emin kırgil ile rüyalara cevaplar kitabı girdap trendyol](#) - Feb 07 2023

web mehmet emin kırgil rüyalara cevaplar kitabında cafer i sâdık İmam nablusi İmam İbn i sirin gibi birçok rüya yorumcusu ve âlimin yorumları ile kendi yorumlarını içeriğinde bulundurarak rüyalara ve okuyucusuna ışık olma amacı taşıyor aynı zamanda okuyucularına güvenilir ve doğru yorumlar sunuyor

**mehmet emin kırgil İle rüyalara cevaplar mehmet emin kırgil** - Oct 03 2022

web mehmet emin kırgil İle rüyalara cevaplar sevgili okurum bu kitabı hazırlarken yüzlerce yıl öncesinde yaşamış olan cafer i sâdık İmam nablusi İmam İbn i sirin ve dahası gibi nice değerli rüya yorumcularından âlimlerde

*mehmet emin kırgil İle rüyalara cevaplar Çiçeksepeti* - Feb 24 2022

web mehmet emin kırgil İle rüyalara cevaplar ürününün fiyatını öğrenmek ve online sipariş vermek için tıklayın

[mehmet emin kırgil İle rüyalara cevaplar mehmet emin kırgil](#) - Jul 12 2023

web mehmet emin kırgil İle rüyalara cevaplar mehmet emin kırgil rüya tabirleri girdap kitap sevgili okurum bu kitabı hazırlarken yüzlerce yıl öncesinde yaşamış olan cafer i sâdık İmam nablusi İmam İbn i sirin ve dahası gibi

[mehmet emin kırgil İle rüyalara cevaplar kitap](#) - Sep 02 2022

web sevgili okurum sizleri tüm kâinatı sınırsız yaratan yüce allah a emanet eder ve bu kitabın size evinize işyerinize huzur ve bereket getirmesini cenabıhak tan niyaz ederim sevgi ve saygılarımla abiniz kardeşiniz içinizden biri olan mehmet emin kırgil İndir satın al

**mehmet emin kırgil İle rüyalara cevaplar fiyatla kırtasiye kulübü** - Apr 28 2022

web mehmet emin kırgil ile rüyalara cevaplar fiyatları girdap kitap yay stoktan teslimat ile indirimli toptan en uygun fiyatlarla kırtasiye kulübünde 9789752429840 yeni Ürünler markalar

[mehmet emin kırgil İle rüyalara cevaplar mehmet emin kırgil](#) - Sep 14 2023

web bir mehmet emin kırıgil eseri olan mehmet emin kırıgil İle rüyalara cevaplar en cazip fiyat ile d r de keşfetmek için hemen tıklayınız

*mehmet emin kırıgil İle rüyalara cevaplar mehmet emin kırıgil - Nov 04 2022*

web mehmet emin kırıgil İle rüyalara cevaplar mehmet emin kırıgil girdap kitap liste fiyatı 13 20 İndirimli fiyat 9 24 kazancınız 3 96 30 temin süresi 7 14 gündür sepete ekle 0 00 5 tavsiye et hata bildir favorilerime ekle açıklama yorumlar sevgili okurum

**mehmet emin kırıgil ile rüyalara cevaplar by mehmet emin kırıgil - Mar 28 2022**

web find the journal mehmet emin kırıgil ile rüyalara cevaplar by mehmet emin kırıgil that you are looking for along with handbooks you could relish the now is mehmet emin kırıgil ile rüyalara cevaplar by mehmet emin kırıgil below in the direction of them is this mehmet emin kırıgil ile rüyalara cevaplar by mehmet emin kırıgil that can be

**mehmet emin kırıgil İle rüyalara cevaplar mehmet emin kırıgil - May 10 2023**

web mehmet emin kırıgil İle rüyalara cevaplar mehmet emin kırıgil sevgili okurum bu kitabı hazırlarken yüzlerce yıl öncesinde yaşamış olan cafer i sâdık İmam nablusi İmam İbn i sirin abiniz kardeşiniz içinizden biri olan mehmet emin kırıgil emeği geçenler

**mehmet emin kırıgil İle rüyalara cevaplar halkkitabevi - Jun 11 2023**

web mehmet emin kırıgil İle rüyalara cevaplar yazar mehmet emin kırıgil girdap kitap stok kodu 9789752429840 boyut 14x21 sayfa sayısı 328 baskı 1 basım tarihi 2019 10 resimleyen 08fc9c27adde4d528010c8c008e84eeb kapak türü ciltless kağıt türü 2 hamur dili türkçe 180 00tl 28 İndİrİm 129 60tl

*mehmet emin kırıgil İle rüyalarla cevaplar kulturpark net - Dec 05 2022*

web erman durgun düşünceler ağaçlar gibidir daima yeşermek için mevsimlerini beklerler düşüncelerin mevsimi ise kitaplardır ne kadar çok kitap okursanız düşünceleriniz o kadar gökyüzüne ulaşır kültürpark sizlere düşüncelerinizin gökyüzüne kavuşması için en özel kitap özetleri ve alıntılarını sunuyor

**mehmet emin kırıgil İle rüyalara cevaplar idefix - Aug 01 2022**

web mehmet emin kırıgil İle rüyalara cevaplar ürününü idefix kalitesiyle satın almak için hemen tıklayın tüm rüya tabirleri ürünleri için idefix i ziyaret edin

mehmet emin kırıgil İle rüyalara cevaplar bookzone - Aug 13 2023

web yazar mehmet emin kırıgil Şerh əlavə edin sevgili okurum bu kitabı hazırlarken yüzlerce yıl öncesinde yaşamış olan cafer i sâdık İmam nablusi İmam İbn i sirin ve dahası gibi nice değerli rüya yorumcularından âl daha çox oxu

**mehmet emin kırıgil İle rüyalara cevaplar 1000kitap - Apr 09 2023**

web mehmet emin kırıgil İle rüyalara cevaplar mehmet emin kırıgil okuyacaklarıma ekle 8 10 2 kişi 4 okunma 5 beğeni 336 gösterim duvar genel bakış İncelemeler alıntılar İletiler fiyatlar okurlar diğer baskılar benzer kitaplar daha fazla göster



