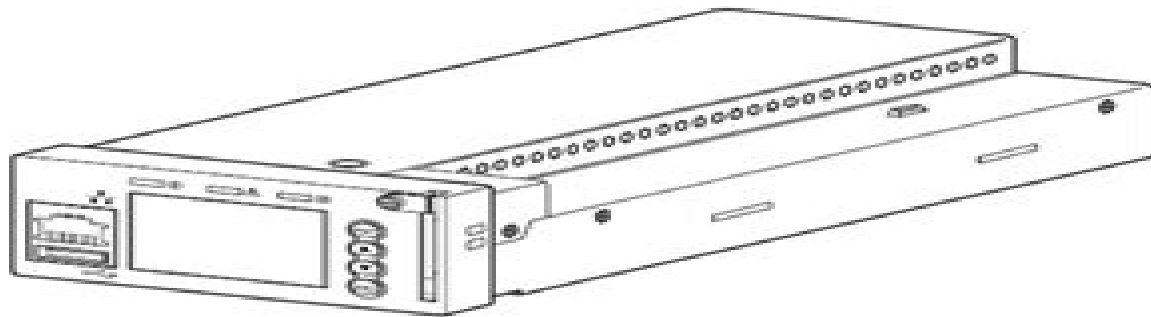


# Power System Controller User Guide

## Enclosure 6150

---

### User Guide



# Tscsurvey Controller User Guide

**Richard Bailey**



**Tscsurvey Controller User Guide:**  
**Public Works ,1968**

This book delves into Tscsurvey Controller User Guide. Tscsurvey Controller User Guide is a vital topic that needs to be grasped by everyone, ranging from students and scholars to the general public. This book will furnish comprehensive and in-depth insights into Tscsurvey Controller User Guide, encompassing both the fundamentals and more intricate discussions.

1. This book is structured into several chapters, namely:
    - Chapter 1: Introduction to Tscsurvey Controller User Guide
    - Chapter 2: Essential Elements of Tscsurvey Controller User Guide
    - Chapter 3: Tscsurvey Controller User Guide in Everyday Life
    - Chapter 4: Tscsurvey Controller User Guide in Specific Contexts
    - Chapter 5: Conclusion
  2. In chapter 1, the author will provide an overview of Tscsurvey Controller User Guide. The first chapter will explore what Tscsurvey Controller User Guide is, why Tscsurvey Controller User Guide is vital, and how to effectively learn about Tscsurvey Controller User Guide.
  3. In chapter 2, this book will delve into the foundational concepts of Tscsurvey Controller User Guide. This chapter will elucidate the essential principles that must be understood to grasp Tscsurvey Controller User Guide in its entirety.
  4. In chapter 3, this book will examine the practical applications of Tscsurvey Controller User Guide in daily life. This chapter will showcase real-world examples of how Tscsurvey Controller User Guide can be effectively utilized in everyday scenarios.
  5. In chapter 4, the author will scrutinize the relevance of Tscsurvey Controller User Guide in specific contexts. The fourth chapter will explore how Tscsurvey Controller User Guide is applied in specialized fields, such as education, business, and technology.
  6. In chapter 5, this book will draw a conclusion about Tscsurvey Controller User Guide. This chapter will summarize the key points that have been discussed throughout the book.
- This book is crafted in an easy-to-understand language and is complemented by engaging illustrations. It is highly recommended for anyone seeking to gain a comprehensive understanding of Tscsurvey Controller User Guide.

[http://www.frostbox.com/About/book-search/fetch.php/toyota\\_innova\\_fuse\\_diagram.pdf](http://www.frostbox.com/About/book-search/fetch.php/toyota_innova_fuse_diagram.pdf)

## **Table of Contents Tscsurvey Controller User Guide**

1. Understanding the eBook Tscsurvey Controller User Guide
  - The Rise of Digital Reading Tscsurvey Controller User Guide
  - Advantages of eBooks Over Traditional Books
2. Identifying Tscsurvey Controller User Guide
  - Exploring Different Genres
  - Considering Fiction vs. Non-Fiction
  - Determining Your Reading Goals
3. Choosing the Right eBook Platform
  - Popular eBook Platforms
  - Features to Look for in an Tscsurvey Controller User Guide
  - User-Friendly Interface
4. Exploring eBook Recommendations from Tscsurvey Controller User Guide
  - Personalized Recommendations
  - Tscsurvey Controller User Guide User Reviews and Ratings
  - Tscsurvey Controller User Guide and Bestseller Lists
5. Accessing Tscsurvey Controller User Guide Free and Paid eBooks
  - Tscsurvey Controller User Guide Public Domain eBooks
  - Tscsurvey Controller User Guide eBook Subscription Services
  - Tscsurvey Controller User Guide Budget-Friendly Options
6. Navigating Tscsurvey Controller User Guide eBook Formats
  - ePub, PDF, MOBI, and More
  - Tscsurvey Controller User Guide Compatibility with Devices
  - Tscsurvey Controller User Guide Enhanced eBook Features
7. Enhancing Your Reading Experience
  - Adjustable Fonts and Text Sizes of Tscsurvey Controller User Guide
  - Highlighting and Note-Taking Tscsurvey Controller User Guide
  - Interactive Elements Tscsurvey Controller User Guide
8. Staying Engaged with Tscsurvey Controller User Guide

- Joining Online Reading Communities
  - Participating in Virtual Book Clubs
  - Following Authors and Publishers Tscsurvey Controller User Guide
9. Balancing eBooks and Physical Books Tscsurvey Controller User Guide
    - Benefits of a Digital Library
    - Creating a Diverse Reading Collection Tscsurvey Controller User Guide
  10. Overcoming Reading Challenges
    - Dealing with Digital Eye Strain
    - Minimizing Distractions
    - Managing Screen Time
  11. Cultivating a Reading Routine Tscsurvey Controller User Guide
    - Setting Reading Goals Tscsurvey Controller User Guide
    - Carving Out Dedicated Reading Time
  12. Sourcing Reliable Information of Tscsurvey Controller User Guide
    - Fact-Checking eBook Content of Tscsurvey Controller User Guide
    - Distinguishing Credible Sources
  13. Promoting Lifelong Learning
    - Utilizing eBooks for Skill Development
    - Exploring Educational eBooks
  14. Embracing eBook Trends
    - Integration of Multimedia Elements
    - Interactive and Gamified eBooks

### **Tscsurvey Controller User Guide Introduction**

In this digital age, the convenience of accessing information at our fingertips has become a necessity. Whether its research papers, eBooks, or user manuals, PDF files have become the preferred format for sharing and reading documents. However, the cost associated with purchasing PDF files can sometimes be a barrier for many individuals and organizations. Thankfully, there are numerous websites and platforms that allow users to download free PDF files legally. In this article, we will explore some of the best platforms to download free PDFs. One of the most popular platforms to download free PDF files is Project Gutenberg. This online library offers over 60,000 free eBooks that are in the public domain. From classic literature to

historical documents, Project Gutenberg provides a wide range of PDF files that can be downloaded and enjoyed on various devices. The website is user-friendly and allows users to search for specific titles or browse through different categories. Another reliable platform for downloading Tscsurvey Controller User Guide free PDF files is Open Library. With its vast collection of over 1 million eBooks, Open Library has something for every reader. The website offers a seamless experience by providing options to borrow or download PDF files. Users simply need to create a free account to access this treasure trove of knowledge. Open Library also allows users to contribute by uploading and sharing their own PDF files, making it a collaborative platform for book enthusiasts. For those interested in academic resources, there are websites dedicated to providing free PDFs of research papers and scientific articles. One such website is Academia.edu, which allows researchers and scholars to share their work with a global audience. Users can download PDF files of research papers, theses, and dissertations covering a wide range of subjects. Academia.edu also provides a platform for discussions and networking within the academic community. When it comes to downloading Tscsurvey Controller User Guide free PDF files of magazines, brochures, and catalogs, Issuu is a popular choice. This digital publishing platform hosts a vast collection of publications from around the world. Users can search for specific titles or explore various categories and genres. Issuu offers a seamless reading experience with its user-friendly interface and allows users to download PDF files for offline reading. Apart from dedicated platforms, search engines also play a crucial role in finding free PDF files. Google, for instance, has an advanced search feature that allows users to filter results by file type. By specifying the file type as "PDF," users can find websites that offer free PDF downloads on a specific topic. While downloading Tscsurvey Controller User Guide free PDF files is convenient, it's important to note that copyright laws must be respected. Always ensure that the PDF files you download are legally available for free. Many authors and publishers voluntarily provide free PDF versions of their work, but it's essential to be cautious and verify the authenticity of the source before downloading Tscsurvey Controller User Guide. In conclusion, the internet offers numerous platforms and websites that allow users to download free PDF files legally. Whether it's classic literature, research papers, or magazines, there is something for everyone. The platforms mentioned in this article, such as Project Gutenberg, Open Library, Academia.edu, and Issuu, provide access to a vast collection of PDF files. However, users should always be cautious and verify the legality of the source before downloading Tscsurvey Controller User Guide any PDF files. With these platforms, the world of PDF downloads is just a click away.

### **FAQs About Tscsurvey Controller User Guide Books**

**What is a Tscsurvey Controller User Guide PDF?** A PDF (Portable Document Format) is a file format developed by Adobe that preserves the layout and formatting of a document, regardless of the software, hardware, or operating system used to

view or print it. **How do I create a Tscsurvey Controller User Guide PDF?** There are several ways to create a PDF: Use software like Adobe Acrobat, Microsoft Word, or Google Docs, which often have built-in PDF creation tools. Print to PDF: Many applications and operating systems have a "Print to PDF" option that allows you to save a document as a PDF file instead of printing it on paper. Online converters: There are various online tools that can convert different file types to PDF. **How do I edit a Tscsurvey Controller User Guide PDF?** Editing a PDF can be done with software like Adobe Acrobat, which allows direct editing of text, images, and other elements within the PDF. Some free tools, like PDFescape or Smallpdf, also offer basic editing capabilities. **How do I convert a Tscsurvey Controller User Guide PDF to another file format?** There are multiple ways to convert a PDF to another format: Use online converters like Smallpdf, Zamzar, or Adobe Acrobats export feature to convert PDFs to formats like Word, Excel, JPEG, etc. Software like Adobe Acrobat, Microsoft Word, or other PDF editors may have options to export or save PDFs in different formats. **How do I password-protect a Tscsurvey Controller User Guide PDF?** Most PDF editing software allows you to add password protection. In Adobe Acrobat, for instance, you can go to "File" -> "Properties" -> "Security" to set a password to restrict access or editing capabilities. Are there any free alternatives to Adobe Acrobat for working with PDFs? Yes, there are many free alternatives for working with PDFs, such as: LibreOffice: Offers PDF editing features. PDFsam: Allows splitting, merging, and editing PDFs. Foxit Reader: Provides basic PDF viewing and editing capabilities. How do I compress a PDF file? You can use online tools like Smallpdf, ILovePDF, or desktop software like Adobe Acrobat to compress PDF files without significant quality loss. Compression reduces the file size, making it easier to share and download. Can I fill out forms in a PDF file? Yes, most PDF viewers/editors like Adobe Acrobat, Preview (on Mac), or various online tools allow you to fill out forms in PDF files by selecting text fields and entering information. Are there any restrictions when working with PDFs? Some PDFs might have restrictions set by their creator, such as password protection, editing restrictions, or print restrictions. Breaking these restrictions might require specific software or tools, which may or may not be legal depending on the circumstances and local laws.

### **Find Tscsurvey Controller User Guide :**

#### **toyota innova fuse diagram**

*toyota hzj78 service manual*

[toyota corolla 93 to 97 haynes manual](#)

[toyota corolla verso vvt manual](#)

~~[toyota d4d engine service manual](#)~~

[toyota land cruiser 2001 owners manual](#)

*toyota fx wiring schematic*



~~toyota echo fuel system diagram~~

~~toyota land cruiser 1fz fe engine workshop manual~~

~~toyota corolla 2004 user manual~~

**toyota corolla 2009 repair manual**

~~toyota corolla 2003 trd service manual~~

toyota corolla ultima repair manual

toyota corolla verso 20gearbox oil

~~toyota hpt25 manual~~

### **Tscsurvey Controller User Guide :**

Make Money with Amazon Make money with Amazon. Sell your products to hundreds of millions of Amazon customers. No per-item listing fees. 7 Ways to Make Money on Amazon + Tips and Tools Mar 3, 2023 — 7 ways to make money on Amazon · 1. Choose a product type or specialize in a niche · 2. Sell handcrafted items · 3. Build your own brand · 4. How to Make Money on Amazon: 16 Proven Methods in 2024 Dec 15, 2023 — 1. Sell your own private label products on Amazon. The best way to make money on Amazon in 2024 is still through private label sales using ... How to Make Money on Amazon Oct 18, 2023 — Amazon offers good ways to make side money. Try selling stuff, recommending products or a gig work option. 18 Practical Ways to Make Money on Amazon in 2024 Dec 4, 2023 — There are four main ways to make money on Amazon: selling items, taking support opportunities, being a partner or influencer, or working for ... How to Make Money on Amazon (By Selling & Not) in 2023 With a variety of different positions and sales opportunities, it is realistic to make money online with Amazon. You can sell your own products as a wholesaler ... How to Make Money as an Amazon Affiliate Sep 8, 2022 — How to become an Amazon affiliate · Step 1: Sign up to become an Amazon Associate · Step 2: Add your website or social channels · Step 3: Create ... Amazon Affiliate Program: How to Become an ... Dec 14, 2023 — You can earn, on average, from \$100 to \$20,000 from the Amazon Affiliate program, depending on how many referrals you generate for Amazon. The ... 15 Practical Ways to Make Money on Amazon Make money by selling on Amazon FBA. Sell your own private label products on Amazon. Sell wholesale goods on Amazon. Affiliate Marketing. Publish own books. Egan's workbook answers Folder Quizlet has study tools to help you learn anything. Improve your grades and reach your goals with flashcards, practice tests and expert-written solutions ... Exam 1 - Egan's Workbook: Chapter 1 Flashcards Exam 1 - Egan's Workbook: Chapter 1. 5.0 (3 reviews). Flashcards · Learn · Test ... This question is a simple classic that has many possible answers. Dr. David ... Egan's Chapter 27 Workbook Answer Key | PDF A. Avoid oxygen toxicity. B. Prevent aspiration. C. Prevent barotrauma and volume trauma. D. UNIT 1 Egan's Chapter 1-5 Workbook questions with ... Aug 17, 2023 — UNIT 1 Egan's Chapter 1-5 Workbook

questions with correct answers ; Uploaded on August 17, 2023 ; Number of pages 11 ; Written in 2023/2024 ; Type ... Egans Wb Chp 20 Answer Key.pdf - EGANS workbook ... View Egans Wb Chp 20 Answer Key.pdf from RESPIRATOR 1013 at Northeast Mississippi Community College. EGANS workbook Answer Key Chapter 20 Kacmarek: Egan's ... Egan's Workbook 12th Edition : r/respiratorytherapy Once you open it, each chapter under student resources has a seperate .rtf file that you can open in Word that is the answer key. Upvote 4 Workbook for Egan's Fundamentals of Respiratory: 12th edition Feb 25, 2020 — Reinforce your understanding of the concepts and skills described in Egan's Fundamentals of Respiratory Care, 12th Edition! Egan's Workbook Answers: Chapter 20 Respiratory Therapy Zone: Egan's Workbook Answers: Chapter 20 - Review of Th... Egans Wb ECG's Chp.pdf - EGANS Workbook Answer Key ... EGANS Workbook Answer Key ECG's Chapter Kacmarek: Egan's Fundamentals of Respiratory Care, 11th Edition Chapter 18: Interpreting the Electrocardiogram ... Chapter 25 Egans 10th Edition Workbook Answer Key - Lung Chapter 25: Pleural Diseases. Answer Key for the Workbook. CHAPTER OBJECTIVES. 1. Describe important anatomic features and physiologic function of the. CLS Owners Manual.pdf Before you rst drive o , read this Operator's. Manual carefully and familiarize yourself with your vehicle. For your own safety and a longer operat- ing ... Owner's Manuals Your Mercedes-Benz Owner's Manual is your go-to resource for operating your vehicle. Browse and download manuals based on your vehicle class and year. Mercedes Benz CLS350 • Read this manual carefully for important safety information and operating instructions before using ... Mercedes Benz CLS350. Repair Manuals & Literature for Mercedes-Benz CLS350 Get the best deals on Repair Manuals & Literature for Mercedes-Benz CLS350 when you shop the largest online selection at eBay.com. Mercedes CLS 350 Replacement Parts & Manuals, Clearance, FAQs. Fun Creation Inc. Mercedes CLS 350. Item # 1265. Owner's Manual: Mercedes CLS 350 (PDF). Genuine 04-07 Mercedes-Benz CLS-Class CLS350 ... Genuine 04-07 Mercedes-Benz CLS-Class CLS350 CLS500 CLS550 Owners Manual Set ; Quantity. 1 available ; Item Number. 126127549565 ; Year of Publication. 2006 ; Make. CLS350 Load Sense Sectional Mobile Valves The new Eaton CLS load sensing sectional mobile valve is a pre and post compensated mobile valve with a highly versatile design. This modularity is. 0 Mercedes-Benz Cls350 Owners Manual Book Guide ... 0 Mercedes-Benz Cls350 Owners Manual Book Guide OEM Used Auto Parts. SKU:73123. In stock. We have 1 in stock. Regular price \$ 59.49 \$ 17.15 Sale. Owner's Manuals Owner's Manuals. Discover your owner's manual. Navigate on the online manual or download the Owner's Manual PDF for fast access whenever you need it. Mercedes Benz CLS350 Kids Ride-On Car ... - TOBBI To find more surprise! User Manual www.tobbi.com. Page 2 ...