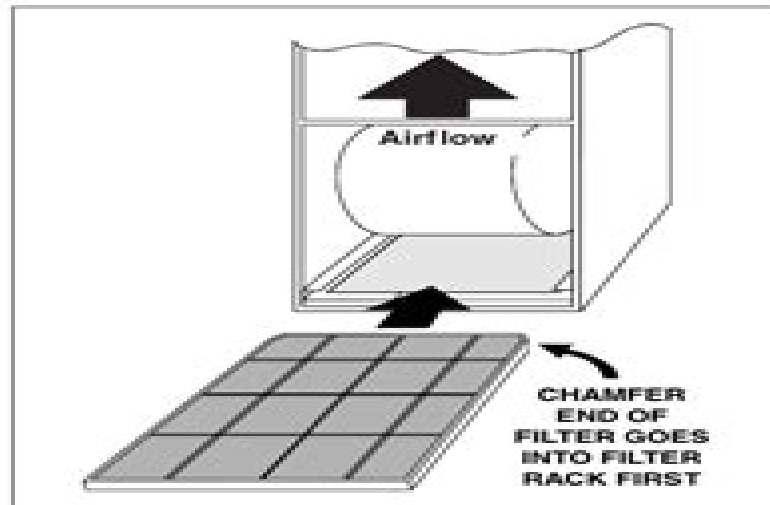
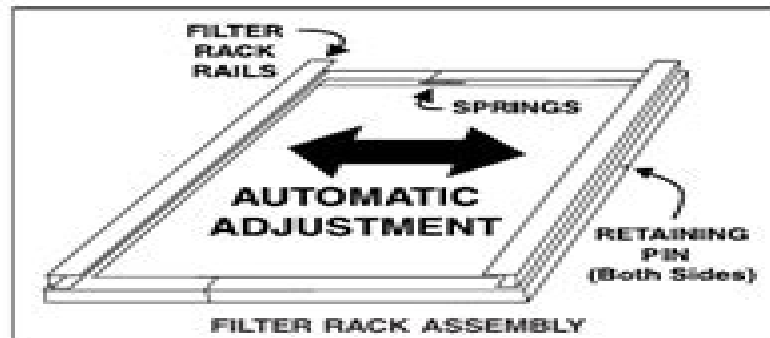


User's Information

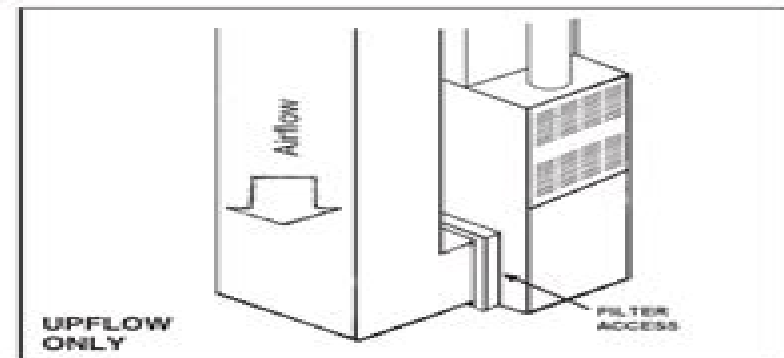
The filter rails are spring loaded for automatic adjustment to allow standard size, locally obtainable replacement filters. The filter rack itself slides to adjust to the required width needed for bottom or side return. Always insert the chamfer (angle edged sides) end first.



The furnace filter may be secured with filter retaining brackets for right side return on smaller furnaces. To replace filters on these furnaces, remove the blower access door, push back to flex the filter and clear the filter retaining bracket at the front of the unit. Gently pull the filter out.

After cleaning, replace the filter in the same manner making sure that filter is secured in place in both front and back filter retaining brackets of the unit. Replace blower access door.

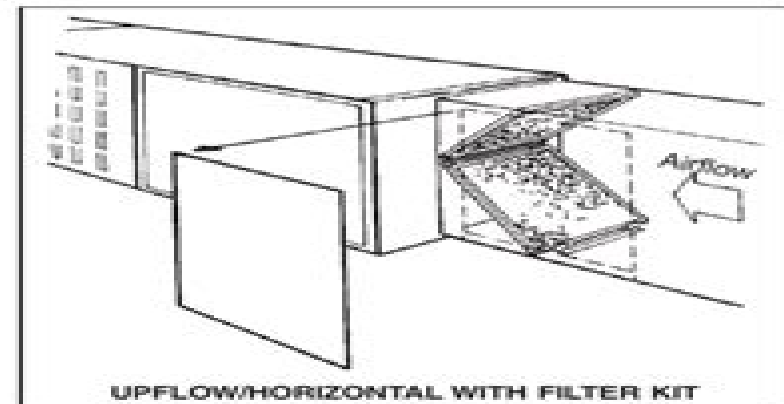
Air filters may also be located outside of the furnace using a **SIDE FILTER FRAME**.



Upflow/Horizontal Furnace Filters

The Upflow/Horizontal furnace, when installed horizontally, requires a horizontal filter kit. The filters may be located remote to the furnace or in the return air duct near the furnace. Check with your dealer for the location of your filters.

An upflow/horizontal furnace in horizontal return air filter application, as shown, features two 14" x 20" x 1" filters in the 14-1/2" wide furnace cabinets; or two 16" x 20" x 1" filters in the 17-1/2", 21", and 24-1/2" wide furnace cabinets.



To replace filters, remove the filter access door, lift the filter from the lower bracket and shift the filter to the side to free the top filter from the bracket and slide the filters out through the filter access door. After cleaning, replace the filters in the same manner making sure that the filters are secured in place in both top and bottom filter brackets. Replace filter access door.

Air filters may also be located outside of the furnace using a remote filter grille. The filter grille could be in a hallway, wall, or in the ceiling. Check with your dealer for the exact location of your filter and the method of changing the filters.

Standard Hx4radio Owners Manual

Kathleen Armour



Standard Hx4radio Owners Manual:

Reviewing **Standard Hx4radio Owners Manual**: Unlocking the Spellbinding Force of Linguistics

In a fast-paced world fueled by information and interconnectivity, the spellbinding force of linguistics has acquired newfound prominence. Its capacity to evoke emotions, stimulate contemplation, and stimulate metamorphosis is really astonishing. Within the pages of "**Standard Hx4radio Owners Manual**," an enthralling opus penned by a highly acclaimed wordsmith, readers embark on an immersive expedition to unravel the intricate significance of language and its indelible imprint on our lives. Throughout this assessment, we shall delve into the book's central motifs, appraise its distinctive narrative style, and gauge its overarching influence on the minds of its readers.

http://www.frostbox.com/files/browse/Download_PDFS/smoking_a_joint_guide.pdf

Table of Contents Standard Hx4radio Owners Manual

1. Understanding the eBook Standard Hx4radio Owners Manual
 - The Rise of Digital Reading Standard Hx4radio Owners Manual
 - Advantages of eBooks Over Traditional Books
2. Identifying Standard Hx4radio Owners Manual
 - Exploring Different Genres
 - Considering Fiction vs. Non-Fiction
 - Determining Your Reading Goals
3. Choosing the Right eBook Platform
 - Popular eBook Platforms
 - Features to Look for in an Standard Hx4radio Owners Manual
 - User-Friendly Interface
4. Exploring eBook Recommendations from Standard Hx4radio Owners Manual
 - Personalized Recommendations
 - Standard Hx4radio Owners Manual User Reviews and Ratings
 - Standard Hx4radio Owners Manual and Bestseller Lists

5. Accessing Standard Hx4radio Owners Manual Free and Paid eBooks
 - Standard Hx4radio Owners Manual Public Domain eBooks
 - Standard Hx4radio Owners Manual eBook Subscription Services
 - Standard Hx4radio Owners Manual Budget-Friendly Options
6. Navigating Standard Hx4radio Owners Manual eBook Formats
 - ePub, PDF, MOBI, and More
 - Standard Hx4radio Owners Manual Compatibility with Devices
 - Standard Hx4radio Owners Manual Enhanced eBook Features
7. Enhancing Your Reading Experience
 - Adjustable Fonts and Text Sizes of Standard Hx4radio Owners Manual
 - Highlighting and Note-Taking Standard Hx4radio Owners Manual
 - Interactive Elements Standard Hx4radio Owners Manual
8. Staying Engaged with Standard Hx4radio Owners Manual
 - Joining Online Reading Communities
 - Participating in Virtual Book Clubs
 - Following Authors and Publishers Standard Hx4radio Owners Manual
9. Balancing eBooks and Physical Books Standard Hx4radio Owners Manual
 - Benefits of a Digital Library
 - Creating a Diverse Reading Collection Standard Hx4radio Owners Manual
10. Overcoming Reading Challenges
 - Dealing with Digital Eye Strain
 - Minimizing Distractions
 - Managing Screen Time
11. Cultivating a Reading Routine Standard Hx4radio Owners Manual
 - Setting Reading Goals Standard Hx4radio Owners Manual
 - Carving Out Dedicated Reading Time
12. Sourcing Reliable Information of Standard Hx4radio Owners Manual
 - Fact-Checking eBook Content of Standard Hx4radio Owners Manual
 - Distinguishing Credible Sources
13. Promoting Lifelong Learning

- Utilizing eBooks for Skill Development
 - Exploring Educational eBooks
14. Embracing eBook Trends
- Integration of Multimedia Elements
 - Interactive and Gamified eBooks

Standard Hx4radio Owners Manual Introduction

Free PDF Books and Manuals for Download: Unlocking Knowledge at Your Fingertips In today's fast-paced digital age, obtaining valuable knowledge has become easier than ever. Thanks to the internet, a vast array of books and manuals are now available for free download in PDF format. Whether you are a student, professional, or simply an avid reader, this treasure trove of downloadable resources offers a wealth of information, conveniently accessible anytime, anywhere. The advent of online libraries and platforms dedicated to sharing knowledge has revolutionized the way we consume information. No longer confined to physical libraries or bookstores, readers can now access an extensive collection of digital books and manuals with just a few clicks. These resources, available in PDF, Microsoft Word, and PowerPoint formats, cater to a wide range of interests, including literature, technology, science, history, and much more. One notable platform where you can explore and download free Standard Hx4radio Owners Manual PDF books and manuals is the internet's largest free library. Hosted online, this catalog compiles a vast assortment of documents, making it a veritable goldmine of knowledge. With its easy-to-use website interface and customizable PDF generator, this platform offers a user-friendly experience, allowing individuals to effortlessly navigate and access the information they seek. The availability of free PDF books and manuals on this platform demonstrates its commitment to democratizing education and empowering individuals with the tools needed to succeed in their chosen fields. It allows anyone, regardless of their background or financial limitations, to expand their horizons and gain insights from experts in various disciplines. One of the most significant advantages of downloading PDF books and manuals lies in their portability. Unlike physical copies, digital books can be stored and carried on a single device, such as a tablet or smartphone, saving valuable space and weight. This convenience makes it possible for readers to have their entire library at their fingertips, whether they are commuting, traveling, or simply enjoying a lazy afternoon at home. Additionally, digital files are easily searchable, enabling readers to locate specific information within seconds. With a few keystrokes, users can search for keywords, topics, or phrases, making research and finding relevant information a breeze. This efficiency saves time and effort, streamlining the learning process and allowing individuals to focus on extracting the information they need. Furthermore, the availability of free PDF books and manuals fosters a culture of continuous learning. By removing financial barriers, more people can access educational resources and pursue lifelong learning, contributing to

personal growth and professional development. This democratization of knowledge promotes intellectual curiosity and empowers individuals to become lifelong learners, promoting progress and innovation in various fields. It is worth noting that while accessing free Standard Hx4radio Owners Manual PDF books and manuals is convenient and cost-effective, it is vital to respect copyright laws and intellectual property rights. Platforms offering free downloads often operate within legal boundaries, ensuring that the materials they provide are either in the public domain or authorized for distribution. By adhering to copyright laws, users can enjoy the benefits of free access to knowledge while supporting the authors and publishers who make these resources available. In conclusion, the availability of Standard Hx4radio Owners Manual free PDF books and manuals for download has revolutionized the way we access and consume knowledge. With just a few clicks, individuals can explore a vast collection of resources across different disciplines, all free of charge. This accessibility empowers individuals to become lifelong learners, contributing to personal growth, professional development, and the advancement of society as a whole. So why not unlock a world of knowledge today? Start exploring the vast sea of free PDF books and manuals waiting to be discovered right at your fingertips.

FAQs About Standard Hx4radio Owners Manual Books

1. Where can I buy Standard Hx4radio Owners Manual books? Bookstores: Physical bookstores like Barnes & Noble, Waterstones, and independent local stores. Online Retailers: Amazon, Book Depository, and various online bookstores offer a wide range of books in physical and digital formats.
2. What are the different book formats available? Hardcover: Sturdy and durable, usually more expensive. Paperback: Cheaper, lighter, and more portable than hardcovers. E-books: Digital books available for e-readers like Kindle or software like Apple Books, Kindle, and Google Play Books.
3. How do I choose a Standard Hx4radio Owners Manual book to read? Genres: Consider the genre you enjoy (fiction, non-fiction, mystery, sci-fi, etc.). Recommendations: Ask friends, join book clubs, or explore online reviews and recommendations. Author: If you like a particular author, you might enjoy more of their work.
4. How do I take care of Standard Hx4radio Owners Manual books? Storage: Keep them away from direct sunlight and in a dry environment. Handling: Avoid folding pages, use bookmarks, and handle them with clean hands. Cleaning: Gently dust the covers and pages occasionally.
5. Can I borrow books without buying them? Public Libraries: Local libraries offer a wide range of books for borrowing. Book Swaps: Community book exchanges or online platforms where people exchange books.

6. How can I track my reading progress or manage my book collection? Book Tracking Apps: Goodreads, LibraryThing, and Book Catalogue are popular apps for tracking your reading progress and managing book collections. Spreadsheets: You can create your own spreadsheet to track books read, ratings, and other details.
7. What are Standard Hx4radio Owners Manual audiobooks, and where can I find them? Audiobooks: Audio recordings of books, perfect for listening while commuting or multitasking. Platforms: Audible, LibriVox, and Google Play Books offer a wide selection of audiobooks.
8. How do I support authors or the book industry? Buy Books: Purchase books from authors or independent bookstores. Reviews: Leave reviews on platforms like Goodreads or Amazon. Promotion: Share your favorite books on social media or recommend them to friends.
9. Are there book clubs or reading communities I can join? Local Clubs: Check for local book clubs in libraries or community centers. Online Communities: Platforms like Goodreads have virtual book clubs and discussion groups.
10. Can I read Standard Hx4radio Owners Manual books for free? Public Domain Books: Many classic books are available for free as they're in the public domain. Free E-books: Some websites offer free e-books legally, like Project Gutenberg or Open Library.

Find Standard Hx4radio Owners Manual :

[smoking a joint guide](#)

[slow cooker recipe chicken dumplings](#)

[snazaroo face painting guide](#)

smart living steam mop manual

[smart engine manual removal](#)

snap on meter eedm503b manual

[smart fortwo manual 2015](#)

[snap on mt 480 manual](#)

[smacna hvac systems commissioning manual](#)

small town glamour girl christmas english edition

sme smegs16 switches owners manual

slope stability and stabilization methods 2nd edition

smart washer manual

~~snakes in suits when psychopaths go to work~~
~~small essay on friendship~~

Standard Hx4radio Owners Manual :

quiz 2 icarus and daedalus 1st grading docx course hero - Jun 02 2022

web icarus flies too close to the sun melts his wings and crashes into the sea d king minos imprisons daedalus and icarus daedalus creates wings to escape while warning icarus not to fly too close to the sun icarus ignores the warning and flies too close to the sun melts his wings and crashes into the sea

daedalus and icarus questions flashcards quizlet - Dec 08 2022

web the sun was brilliant what is another word for brilliant bright jeremiah nudged tyra off the monkey bars what does nudged mean push lightly the family spread the blanket on ground for the picnic in this sentence what does spread mean open out

icarus and daedalus selection test old vulkk - Jan 29 2022

web 4 icarus and daedalus selection test 2021 05 03 weak and george w bush and the post cold war neoconservatives the romantic bullies who believed they could bludgeon the middle east and liberate it at the same time like icarus each of these generations crafted wings a theory about america s relationship to the world they flapped

the flight of icarus quizizz - May 01 2022

web 19 questions copy edit live session show answers see preview 1 multiple choice 15 minutes 1 pt what is daedalus occupation a blacksmith an artist an architect and inventor a fish 2 multiple choice 15 minutes 1 pt what could you infer is the best reason daedalus has for not wanting his son icarus to fly

icarus and daedalus 276 plays quizizz - Jan 09 2023

web icarus and daedalus quiz for 7th grade students find other quizzes for english and more on quizizz for free

icarus and daedalus english quiz quizizz - Jun 14 2023

web 8 questions show answers question 1 300 seconds q according to icarus and daedalus why does daedalus make wings for himself and his son answer choices he wants to prove that he is a brilliant man he wants to escape from king minos of crete he is trying to please his son who wishes to fly

literature icarus and daedalus flashcards quizlet - Mar 11 2023

web icarus feels joyful forgetfulness like a bird or child daedalus is concerned about the mechanics of flying what does the difference reveal about their characters the difference reveals that icarus is young and immature and daedalus is

icarus and daedalus selection test 2023 - Jul 03 2022

web mission that surely will test the limits of their training in robert g williscroft s third installment following daedalus and daedalus leo standard test lessons in reading aug 25 2021 prepare and practice for standardized tests grade 4 oct 07 2022 *the flight of icarus test flashcards quizlet* - Aug 04 2022

web list three themes of the myth explain the one that you think is the most important loss challenge courage i think courage is the most important because it took daedalus and icarus courage to make wings and fly over an ocean for the sake of freedom

icarus and daedalus test 299 plays quizizz - Apr 12 2023

web icarus and daedalus test quiz for 4th grade students find other quizzes for english and more on quizizz for free

icarus and daedalus selection a english quiz quizizz - Aug 16 2023

web answer choices daedalus gathered feathers wax and thread to make wings the king imprisoned daedalus in the tower because his favor shifted once he began to fly icarus longed for warmth freedom and joy daedalus felt these emotions grief sadness and loneliness question 14 60 seconds q

icarus in greek mythology the story of icarus and daedalus - Mar 31 2022

web apr 9 2021 icarus and daedalus attempt to escape from crete by means of wings that daedalus built from feathers and wax in the area that i grew up in greek mythology was never something that featured in schools but the first story i was taught was that of icarus the boy who flew too close to the sun

icarus and daedalus selection test pdf 2023 - Dec 28 2021

web webinfo get the icarus and daedalus selection test pdf belong to that we offer here and check out the link you could purchase lead icarus and daedalus selection test pdf verdala 6a 2010 compare and contrast daedalus and icarus vulkk com old vulkk com access pdfid i60w715 files web4 icarus and

7th grade language artsmrs desalle s bulletin board home - Oct 06 2022

web name the flight of icarus multiple choice class date identify the choice that best completes the statement or answers the question 2 3 4 5 6 comprehension read each of the following questions then choose the letter of the best answer daedalus made wings for himself and his son in order to a teach his son to fly b be more like the gods

quiz worksheet icarus daedalus myth study com - Feb 10 2023

web assess your grasp of the ancient greek myth of icarus and daedalus via these study tools quiz topics range from the minoans to the ruler who wanted daedalus to construct a labyrinth on the

daedalus and icarus comprehension proprofs quiz - Jul 15 2023

web aug 24 2023 try this amazing daedalus and icarus comprehension quiz which has been attempted 6849 times by avid quiz takers also explore over 68 similar quizzes in this category please study before taking the test

flocabulary educational hip hop - Feb 27 2022

web icarus and daedalus assign teacher resources break it down new read respond quiz lyric lab play video play mute current time 0 00 duration time 0 00 loaded 0 progress 0 stream captions off selected captions audio track 1080p hd 720p hd 480p 360p 240p quality fullscreen this is a modal window the media

icarus daedalus quiz worksheet for kids study com - Nov 07 2022

web on this worksheet and quiz you will answer test questions on why this father and son team went to crete what they did when they got there and where icarus made his terrible mistake quiz

quizizz - Sep 05 2022

web find and create gamified quizzes lessons presentations and flashcards for students employees and everyone else get started for free

daedalus and icarus test flashcards quizlet - May 13 2023

web why do daedalus and icarus risk their lives to leave the comfort of the palace they wanted freedom icarus ignores his father s advice and flies too close to the sun

on my skis by kari lynn winters on my bookroo - Nov 27 2022

web feb 1 2017 kari lynn winters christina leist ages 2 6 26 pages snow dogs skiing winter canada sports and recreation view book summary

on my skin teaser hd netflix youtube - Feb 16 2022

web jul 30 2018 the incredible true story behind the most controversial italian court cases in recent years stefano cucchi was arrested for a minor crime and mysteriously f

on my skis orca book - Aug 05 2023

web feb 15 2017 set in the mountains overlooking vancouver british columbia and its surroundings this under five follow up to the hugely popular on my walk features a very young child learning to ski another delightful collaboration between kari lynn winters and christina leist on my skis takes very young children on a little journey around vancouver

why i purposely left my skis behind on my last ski vacation - Mar 20 2022

web feb 6 2023 operation swan song leaving my skis in the racks after two weeks of skiing in the dolomites was meant to be poetic but it was also a financially motivated ploy my son was training with the alta badia ski academy traveling with five pairs of heavy race skis loaded up in two massive ski bags

on my skis translation into arabic reverso context - Jun 22 2022

web translations in context of on my skis in english arabic from reverso context no not on my skis

on my skis kari lynn winters google books - May 02 2023

web set in the mountains overlooking vancouver british columbia and its surroundings this under five follow up to the hugely popular on my walk features a very young child learning to ski another delightful collaboration between kari lynn winters and christina leist on my skis takes very young children on a little journey around vancouver

on my skis rÜfÜs du sol youtube - May 22 2022

web apr 16 2022 looks like im on my skis again

on my skis enbook - Aug 25 2022

web set in the mountains overlooking vancouver british columbia and its surroundings this under five follow up to the hugely popular on my walk features a very young child learning to ski another delightful collaboration between kari lynn winters and chri

on my skis diverse bookfinder - Jul 04 2023

web on my skis 2017 by kari lynn winters and christina leist toddlers and young children will take delight in this whimsically illustrated rhyming story set in the mountains overlooking the city come along on this bumbling tumbling snowy skiing adventure

buy on my skis book by karilynn winters - Sep 25 2022

web feb 15 2017 on my skis isbn 1926890035 ean13 9781926890036 language english release date feb 15 2017 pages 26 dimensions 0 31 h x 8 58 l x 7 24 w weight 0 44 lbs format library binding publisher tradewind books favorite add to wishlist on my skis 2 ratings arrow drop down 5 out of 5

on my skis calgary public library bibliocommons - Oct 27 2022

web another delightful collaboration between kari lynn winters and christina leist on my skis takes very young children on a little journey around snowy mountains while our protagonist learns to ski whimsical and strikingly original illustrations are

skis türkçe Çeviri bab la İngilizce türkçe sözlük - Oct 07 2023

web Ücretsiz İngilizce türkçe sözlükte skis in karşılığı ve başka pek çok türkçe çeviri bab la online dictionaries vocabulary conjugation grammar share

on my skis on my 3 by kari lynn winters goodreads - Jun 03 2023

web feb 15 2017 set in the mountains overlooking vancouver british columbia and its surroundings this under five follow up to the hugely popular on my walk features a very young child learning to ski another delightful collaboration between kari lynn winters and christina leist on my skis takes very young children on a little journey around vancouver

on my skis library binding picture book feb 15 2017 - Jan 30 2023

web another delightful collaboration between kari lynn winters and christina leist on my skis takes very young children on a little journey around vancouver whimsical and strikingly original illustrations are set to winter s irresistibly rhythmic story

on my skin wikipedia - Apr 20 2022

web on my skin may refer to on my skin 2003 film an italian crime drama film on my skin 2018 film an italian drama film this disambiguation page lists articles associated with the title on my skin if an internal link led you here you may wish to change the link to point directly to the intended article

on my walk childrens book author drama in education - Jul 24 2022

web illustrated by christina leist on my walk vancouver tradewind books 32 pages ages 1 5 isbn 9781896580616 oclc number 423601674 see also the sequels on my skis on my bike and on my swim come along on a rollicking rainy day walk with a catchy rhythm this simple story will be a fun daytime read for babies toddlers and pre schoolers

on my skis kari lynn winters - Apr 01 2023

web skip to content

on my skis by kari lynn winters auth bookroo com - Dec 29 2022

web what s on my skis about publisher summary a sweet and rhythmic story about a child who learns to ski what kind of book is on my skis themes snow dogs skiing winter canada sports and recreation culture genres fiction linguistic styles rhyming locations british columbia

kari winters phd childrens book author drama in education on my skis - Feb 28 2023

web 4 on my skis and on my bike are stories that follow a young child learning to ski and ride a bike and all of the things the child hears and sees while outside in winter and fall both stories show the same child learning these skills alongside parents younger sibling and

on my skis on my 3 amazon com - Sep 06 2023

web feb 15 2017 set in the mountains overlooking vancouver british columbia and its surroundings this under five follow up to the hugely popular on my walk features a very young child learning to ski another delightful collaboration between kari lynn winters and christina leist on my skis takes very young children on a little journey around vancouver

insulin the silent killer understanding the role and - Apr 10 2023

web apr 4 2016 insulin the silent killer understanding the role and effects of insulin in your body and how to keep it stable understanding insulin and diabetes book 1

insulinoursilentkiller - May 11 2023

web library she determines that he has the silent cat killer diabetes a visit to the vet confirms her diagnosis but that one appointment stretched family funds to the limit they ll never

killer pdf insulin our silent xzwlxga files wordpress com - Oct 24 2021

[insulin the silent killer understanding the role and](#) - Jul 01 2022

web apr 4 2021 insulin is a hormone that the pancreas produces insulin aids the production of energy from glucose by body cells in the long run hyperglycemia harms the body and

[diabetes is a silent epidemic killing nearly 7 million of us](#) - Feb 08 2023

web insulin the silent killer understanding the role and effects of insulin in your body and how to keep it stable understanding insulin and diabetes book 1 ebook goldsmith

hyperinsulinemia healing matters - Nov 24 2021

web insulin our silent killer pdf download insulin our silent killer pdf free software updates and technical support for a year a problem caused the program to stop working

amazon co uk customer reviews insulin our silent killer - Dec 06 2022

web find helpful customer reviews and review ratings for insulin the silent killer understanding the role and effects of insulin in your body and how to keep it stable

insulin the silent killer understanding the role and effects of - Mar 09 2023

web apr 4 2016 insulin the silent killer understanding the role and effects of insulin in your body and how to keep it stable understanding insulin and diabetes book 1

diabetes the silent killer medicover hospitals - May 31 2022

web may 20 2012 associated with this website is a book called insulin our silent killer written by thomas smith i tried looking for a review on this book but had no luck it s

insulin the silent killer understanding the role and - Jun 12 2023

web apr 4 2016 insulin the silent killer provides a good overview of what insulin does and how it can effect health the book is split into six chapters chapter 1 understanding

amazon com customer reviews insulin the silent killer - Nov 05 2022

web jul 28 2023 by codeblue 28 jul 2023 insulin resistance a precursor to type 2 diabetes lurks silently within many individuals posing serious health risks once upon a

need a review on insulin our silent killer the diabetes forum - Apr 29 2022

web he has published the results of his successful diabetes investigation in his self help manual insulin our silent killer written for the layperson but also widely valued by the medical

a silent killer a threat for cardiorespiratory fitness intechopen - Jan 27 2022

web dec 31 2020 insulin resistance is a silent killer because insulin can be silently elevated for years damaging our health and creating diseases without any obvious signs until

our deadly diabetes deception by thomas smith whale - Mar 29 2022

web insulin resistance the silent killer by michael lam md mph carrie lam md jeremy lam md insulin resistance is a very common problem in modern society and

[insulin our silent killer thomas smith google books](#) - Aug 14 2023

web insulin our silent killer author thomas smith edition revised publisher t smith 2000 length 143 pages

insulin resistance the silent killer dr lam coaching - Feb 25 2022

web dec 20 2022 t2dm is named a silent killer because the primary disease is silent at the early stage and usually gets diagnosed when presenting with a vascular event such as

[insulin our silent killer diabetes uk](#) - Aug 02 2022

web insulin is a hormone that plays a vital role in digestion and metabolism as it breaks down nutrients into essential glucose that produces needed energy for various cells in the

insulin resistance the silent killer 1 secret you must know - Dec 26 2021

web aug 10 2011 our book insulin our silent killer discusses this phenomenon more fully notice the role of omega 6 fatty acids in making the entire body subject to the

insulin the silent killer understanding the role and effects of - Jan 07 2023

web find helpful customer reviews and review ratings for insulin our silent killer at amazon com read honest and unbiased product reviews from our users

insulin our silent killer life enthusiast - Sep 03 2022

web jan 25 2010 manual entitled insulin our silent killer written for the layman but also widely valued by the medical practitioner this manual details the steps required to

insulin resistance the silent killer param sivalingam - Oct 04 2022

web oct 6 2018 insulin our silent killer summary in one form or another we find sweeteners in almost everything that we eat or drink they are disguised to appear harmless but they

insulin our silent killer healing matters - Jul 13 2023

web our book insulin our silent killer is not available in bookstores but can be mail ordered from anywhere in the world by using the ordering instructions as shown below that are