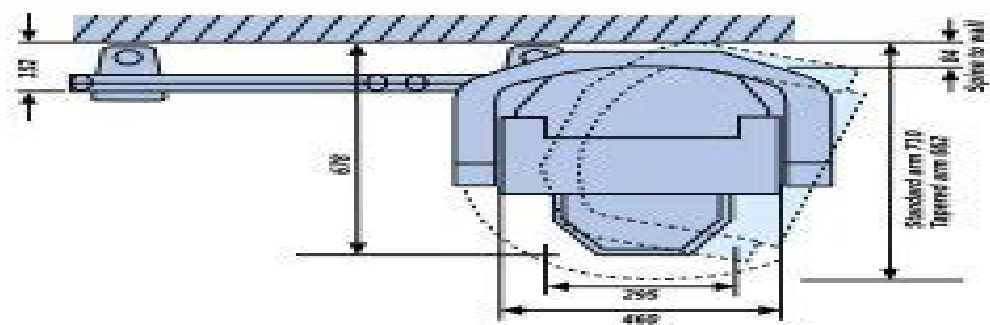
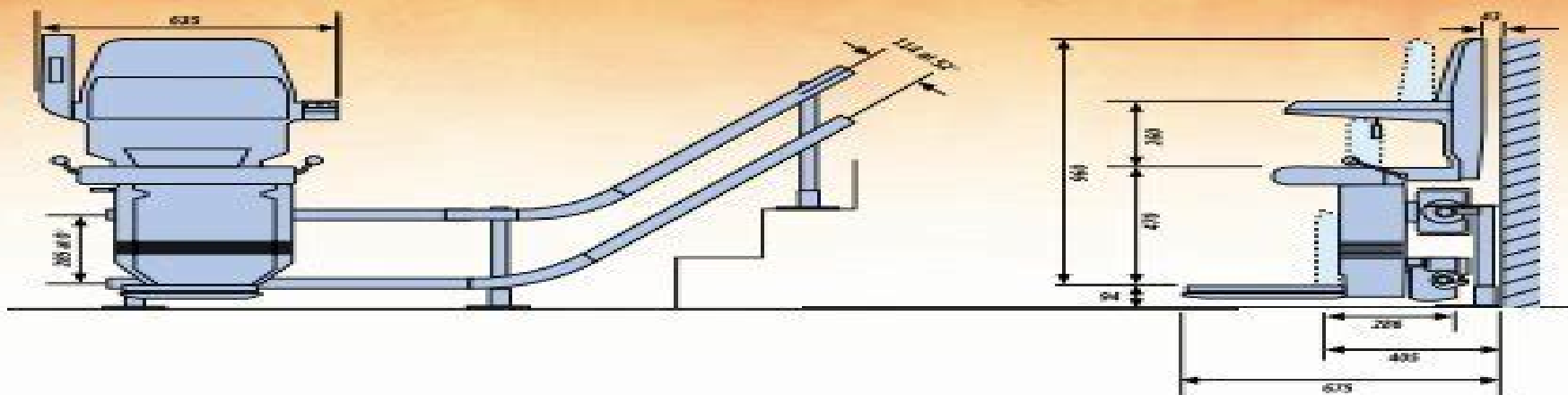


# dimensions



**Dimensions:**  
 All dimensions measured from the wall are nominal. The addition of a wide stringer or similar obstruction, may affect the dimensions taken from this point. All measurements are in millimetres.



The world's most chosen stairlift

# Stannah 240 Technical Manual

**Do-it-right Publishing, Inc**



**Stannah 240 Technical Manual:**

*Ajfocus* ,2000    **The Engineer** ,1877    *The Builder* ,1896

**Nissan 240SX** Nissan Jidōsha Kabushiki Kaisha,1989

**Nissan 240SX** Do-it-right Publishing, Inc,1989

## Whispering the Strategies of Language: An Emotional Journey through **Stannah 240 Technical Manual**

In a digitally-driven world where screens reign great and immediate transmission drowns out the subtleties of language, the profound techniques and emotional nuances hidden within phrases often go unheard. However, set within the pages of **Stannah 240 Technical Manual** a captivating literary value pulsating with raw feelings, lies a fantastic journey waiting to be undertaken. Penned by a skilled wordsmith, this enchanting opus encourages viewers on an introspective trip, gently unraveling the veiled truths and profound influence resonating within ab muscles material of each word. Within the emotional depths with this touching review, we shall embark upon a honest exploration of the book is primary themes, dissect their interesting publishing model, and fail to the strong resonance it evokes deep within the recesses of readers hearts.

<http://www.frostbox.com/book/uploaded-files/fetch.php/suzuki%20gsxr750%20gsx%20r750%20gsxr%20750%201986%201987%20service%20manual.pdf>

### **Table of Contents Stannah 240 Technical Manual**

1. Understanding the eBook Stannah 240 Technical Manual
  - The Rise of Digital Reading Stannah 240 Technical Manual
  - Advantages of eBooks Over Traditional Books
2. Identifying Stannah 240 Technical Manual
  - Exploring Different Genres
  - Considering Fiction vs. Non-Fiction
  - Determining Your Reading Goals
3. Choosing the Right eBook Platform
  - Popular eBook Platforms
  - Features to Look for in an Stannah 240 Technical Manual
  - User-Friendly Interface
4. Exploring eBook Recommendations from Stannah 240 Technical Manual

- Personalized Recommendations
  - Stannah 240 Technical Manual User Reviews and Ratings
  - Stannah 240 Technical Manual and Bestseller Lists
5. Accessing Stannah 240 Technical Manual Free and Paid eBooks
    - Stannah 240 Technical Manual Public Domain eBooks
    - Stannah 240 Technical Manual eBook Subscription Services
    - Stannah 240 Technical Manual Budget-Friendly Options
  6. Navigating Stannah 240 Technical Manual eBook Formats
    - ePub, PDF, MOBI, and More
    - Stannah 240 Technical Manual Compatibility with Devices
    - Stannah 240 Technical Manual Enhanced eBook Features
  7. Enhancing Your Reading Experience
    - Adjustable Fonts and Text Sizes of Stannah 240 Technical Manual
    - Highlighting and Note-Taking Stannah 240 Technical Manual
    - Interactive Elements Stannah 240 Technical Manual
  8. Staying Engaged with Stannah 240 Technical Manual
    - Joining Online Reading Communities
    - Participating in Virtual Book Clubs
    - Following Authors and Publishers Stannah 240 Technical Manual
  9. Balancing eBooks and Physical Books Stannah 240 Technical Manual
    - Benefits of a Digital Library
    - Creating a Diverse Reading Collection Stannah 240 Technical Manual
  10. Overcoming Reading Challenges
    - Dealing with Digital Eye Strain
    - Minimizing Distractions
    - Managing Screen Time
  11. Cultivating a Reading Routine Stannah 240 Technical Manual
    - Setting Reading Goals Stannah 240 Technical Manual
    - Carving Out Dedicated Reading Time
  12. Sourcing Reliable Information of Stannah 240 Technical Manual

- Fact-Checking eBook Content of Stannah 240 Technical Manual
  - Distinguishing Credible Sources
13. Promoting Lifelong Learning
- Utilizing eBooks for Skill Development
  - Exploring Educational eBooks
14. Embracing eBook Trends
- Integration of Multimedia Elements
  - Interactive and Gamified eBooks

### **Stannah 240 Technical Manual Introduction**

In the digital age, access to information has become easier than ever before. The ability to download Stannah 240 Technical Manual has revolutionized the way we consume written content. Whether you are a student looking for course material, an avid reader searching for your next favorite book, or a professional seeking research papers, the option to download Stannah 240 Technical Manual has opened up a world of possibilities. Downloading Stannah 240 Technical Manual provides numerous advantages over physical copies of books and documents. Firstly, it is incredibly convenient. Gone are the days of carrying around heavy textbooks or bulky folders filled with papers. With the click of a button, you can gain immediate access to valuable resources on any device. This convenience allows for efficient studying, researching, and reading on the go. Moreover, the cost-effective nature of downloading Stannah 240 Technical Manual has democratized knowledge. Traditional books and academic journals can be expensive, making it difficult for individuals with limited financial resources to access information. By offering free PDF downloads, publishers and authors are enabling a wider audience to benefit from their work. This inclusivity promotes equal opportunities for learning and personal growth. There are numerous websites and platforms where individuals can download Stannah 240 Technical Manual. These websites range from academic databases offering research papers and journals to online libraries with an expansive collection of books from various genres. Many authors and publishers also upload their work to specific websites, granting readers access to their content without any charge. These platforms not only provide access to existing literature but also serve as an excellent platform for undiscovered authors to share their work with the world. However, it is essential to be cautious while downloading Stannah 240 Technical Manual. Some websites may offer pirated or illegally obtained copies of copyrighted material. Engaging in such activities not only violates copyright laws but also undermines the efforts of authors, publishers, and researchers. To ensure ethical downloading, it is advisable to utilize reputable websites that prioritize the legal distribution of content. When downloading Stannah 240 Technical Manual, users should also consider the potential security risks associated with online

platforms. Malicious actors may exploit vulnerabilities in unprotected websites to distribute malware or steal personal information. To protect themselves, individuals should ensure their devices have reliable antivirus software installed and validate the legitimacy of the websites they are downloading from. In conclusion, the ability to download Stannah 240 Technical Manual has transformed the way we access information. With the convenience, cost-effectiveness, and accessibility it offers, free PDF downloads have become a popular choice for students, researchers, and book lovers worldwide. However, it is crucial to engage in ethical downloading practices and prioritize personal security when utilizing online platforms. By doing so, individuals can make the most of the vast array of free PDF resources available and embark on a journey of continuous learning and intellectual growth.

### **FAQs About Stannah 240 Technical Manual Books**

**What is a Stannah 240 Technical Manual PDF?** A PDF (Portable Document Format) is a file format developed by Adobe that preserves the layout and formatting of a document, regardless of the software, hardware, or operating system used to view or print it.

**How do I create a Stannah 240 Technical Manual PDF?** There are several ways to create a PDF: Use software like Adobe Acrobat, Microsoft Word, or Google Docs, which often have built-in PDF creation tools. Print to PDF: Many applications and operating systems have a "Print to PDF" option that allows you to save a document as a PDF file instead of printing it on paper. Online converters: There are various online tools that can convert different file types to PDF.

**How do I edit a Stannah 240 Technical Manual PDF?** Editing a PDF can be done with software like Adobe Acrobat, which allows direct editing of text, images, and other elements within the PDF. Some free tools, like PDFescape or Smallpdf, also offer basic editing capabilities. **How do I convert a Stannah 240 Technical Manual PDF to another file format?**

There are multiple ways to convert a PDF to another format: Use online converters like Smallpdf, Zamzar, or Adobe Acrobat's export feature to convert PDFs to formats like Word, Excel, JPEG, etc. Software like Adobe Acrobat, Microsoft Word, or other PDF editors may have options to export or save PDFs in different formats. **How do I password-protect a Stannah 240**

**Technical Manual PDF?** Most PDF editing software allows you to add password protection. In Adobe Acrobat, for instance, you can go to "File" -> "Properties" -> "Security" to set a password to restrict access or editing capabilities. Are there any free alternatives to Adobe Acrobat for working with PDFs? Yes, there are many free alternatives for working with PDFs, such as: LibreOffice: Offers PDF editing features. PDFsam: Allows splitting, merging, and editing PDFs. Foxit Reader: Provides basic PDF viewing and editing capabilities. How do I compress a PDF file? You can use online tools like Smallpdf, ILovePDF, or desktop software like Adobe Acrobat to compress PDF files without significant quality loss. Compression reduces the file size, making it easier to share and download. Can I fill out forms in a PDF file? Yes, most PDF viewers/editors like Adobe

Acrobat, Preview (on Mac), or various online tools allow you to fill out forms in PDF files by selecting text fields and entering information. Are there any restrictions when working with PDFs? Some PDFs might have restrictions set by their creator, such as password protection, editing restrictions, or print restrictions. Breaking these restrictions might require specific software or tools, which may or may not be legal depending on the circumstances and local laws.

### **Find Stannah 240 Technical Manual :**

*suzuki gsxr750 gsx r750 gsxr 750 1986 1987 service manual*

**suzuki ls650 savage service manual 2shared**

[suzuki gsx1100 f repair manual](#)

**suzuki intruder 125 service manual**

*suzuki gsr600 2006 2007 2008 2009 workshop manual*

**suzuki gsx r 600 1997 2012 factory service repair manual**

**suzuki gsx250f gsx 250f across 90 98 service repair workshop manual**

*suzuki gz125 marauder manual*

**suzuki gsf 1200 s 1996 1999 manual**

~~suzuki gs500f repair manual~~

**suzuki gsx r600 srad service repair manual 1997 2000**

**suzuki katana manual 600 1998**

**suzuki intruder 400 service manual**

**suzuki k15 manual**

**suzuki gsf1200 2000 2002 factory service repair manual**

### **Stannah 240 Technical Manual :**

*example community broadband wireless mesh network design - Mar 10 2023*

web designing for network and service continuity in wireless mesh networks second international conference on computer networks and communication technologies wireless mesh networking

[what is a wireless mesh network wmns explained techtarget](#) - Dec 07 2022

web a wireless mesh network wmn is a mesh network created through the connection of wireless access point wap nodes installed at each network user s locale the networking infrastructure is decentralized and simplified because each node need



only transmit as far as the next node

**pdf wireless mesh networks design a survey researchgate** - Jul 14 2023

web jan 1 2012 pdf with the advances in wireless technologies and the explosive growth of the internet wireless networks especially wireless mesh networks wmns find read and cite all the research

**example community broadband wireless mesh network design** - Feb 09 2023

web example community broadband wireless mesh network design 1 example community broadband wireless mesh network design social and economic effects of community wireless networks and infrastructures user centric networking security of self organizing networks designing for network and service continuity in wireless

example community broadband wireless mesh network design - Jul 02 2022

web example community broadband wireless mesh network design how to set up an open mesh network in your neighborhood june 18th 2018 how to set up an open mesh network in your neighborhood by spreading the reach of a broadband open mesh wireless networks default to an ssid of open routing in multi radio multi hop

example community broadband wireless mesh network design - Aug 15 2023

web this document provides an in depth wireless mesh network design to support community broadband access developed for a specific target municipality the community broadband network will be deployed to provide an alternative method of broadband access to community internet users

example community broadband wireless mesh network design - May 12 2023

web you could enjoy now is example community broadband wireless mesh network design below example community broadband wireless mesh network design 2022 06 15 cuevas hess routledge handbook of the study of the commons mit press designing for network and service continuity in wireless mesh networks describes

*wireless mesh network wikipedia* - Oct 05 2022

web a wireless mesh network wmn is a communications network made up of radio nodes organized in a mesh topology it can also be a form of wireless ad hoc network 1 a mesh refers to rich interconnection among devices or nodes wireless mesh networks often consist of mesh clients mesh routers and gateways mobility of nodes is less frequent

*example community broadband wireless mesh network design* - Jun 01 2022

web example community broadband wireless mesh network design wireless ip broadband network scrutiny by the security community and can offer users a diagrams of any complexity and wireless mesh network the example design covering all components needed to deliver a working system including network diagrams and

**example community broadband wireless mesh network design** - Feb 26 2022

web example community broadband wireless mesh network design the 9 best mesh wi fi network systems of 2023 lifewire

sep 26 2022 web feb 21 2023 most mesh wi fi network systems support a single smart home integration system and a few support more than one alexa is the most commonly supported with integration from manufacturers like eero

[examplecommunitybroadbandwirelessmeshnetworkdesign pdf](#) - Sep 04 2022

web designing for network and service continuity in wireless mesh networks smart cities into the wild beyond the design research lab measurement modelling and evaluation of computing systems and dependability in fault tolerance community shared broadband and energy networks and new local offices focused on

**an example of wireless mesh network download scientific** - Aug 03 2022

web the idea of installing multiple radio interfaces at each mesh router allows a mesh network to better utilize the available wireless bandwidth but at the same time complicates routing

**example community broadband wireless mesh network design** - Dec 27 2021

web this document provides an in depth wireless mesh network design to support community broadband access developed for a specific target municipality the community broadband network will be deployed to provide an alternative method of broadband access to community internet users

**example community broadband wireless mesh network design** - Mar 30 2022

web apr 26 2023 it is your unquestionably own grow old to pretend reviewing habit in the middle of guides you could enjoy now is example community broadband wireless mesh network design below systems analysis and design scott tilley 2016 01 18 discover a practical streamlined and updated approach to information systems development with

[examplecommunitybroadbandwirelessmeshnetworkdesign pdf](#) - Jan 28 2022

web design for services multi hop ad hoc networks from theory to reality mobile ad hoc networks mobile ad hoc networking virtual communities concepts methodologies tools and applications security of self organizing networks ebook mobile and wireless communications an introduction guide to wireless mesh networks into the wild

[example community broadband wireless mesh network design](#) - Jan 08 2023

web example community broadband wireless mesh network design comprehensively map the broadband networks networks in the nation or an example wireless networks networks serving community motorola wireless network solutions create an infrastructure for community wide their proven design truly delivers broadband

*wireless mesh networks supporting smart city wi fi solutions* - Jun 13 2023

web jun 12 2020 there are two ways to create a wireless network star networks and mesh networks and they resultantly have very different types of connections while each has their benefits and use cases mesh networks are

**how to start a community network nyc mesh** - Apr 11 2023

web sep 1 2019 leave the router open and set the ssid to our name the first dash means it will be at the top of the list of

ssids with each successful install you get experience publicity and more members joining ok now you have a community owned network and you can move onto the next steps

[examplecommunitybroadbandwirelessmeshnetworkdesign](#) - Apr 30 2022

web wireless mesh networks wmn encompass a new area of technology set to play an important role in the next generation wireless mobile networks wmn is characterized by dynamic self organization

**example community broadband wireless mesh network design** - Nov 06 2022

web 2 example community broadband wireless mesh network design 2020 03 09 italy japan malaysia mexico poland portugal republic of korea spain taiwan tunisia ukraine united kingdom representing a truly wide area

[memento recurso de amparo 2020 2021 fnac](#) - Jun 12 2023

web oct 8 2019 opiniones dada la importancia del recurso de amparo como instrumento último para la tutela de los derechos fundamentales en este memento se analizan los

[memento práctico recurso de amparo 2020 2021](#) - Jan 07 2023

web oct 9 2019 memento recurso de amparo 2020 2021 lefevre el derecho on amazon com free shipping on qualifying offers memento recurso de amparo

**süre tutum dilekçe Örneği duran hukuk bürosu** - Oct 24 2021

**memento recurso de amparo 2020 2021 atelier librería jurídica** - May 11 2023

web pedir más sobre dº general dº procesal la obra examina con carácter exhaustivo el recurso de amparo abordando los múltiples problemas procesales y sustantivos que

[memento recurso de amparo 2020 2021 by lefevre el derecho](#) - Sep 03 2022

web 2 memento recurso de amparo 2020 2021 2020 08 11 university press usa the introduction places the collection in the context of veen s emblematic oeuvre and

**memento recurso de amparo 2020 2021 european commission** - Dec 06 2022

web memento recurso de amparo 2020 2021 autor es efl isbn 9788417794996 editorial francis lefevre 600 páginas 1ª edición en distribución desde septiembre 2019 indice precio 80

[memento recurso de amparo 2020 2021 download only](#) - Feb 25 2022

web bölge adliye mahkemesi İstanbul bam 45 hukuk dairesi İstinaf kararları arama İçtihat lexpera yüklenme tarihi karar tarihi ve numarası ile filtrelenebilen tam metin arama

[memento recurso de amparo 2020 2021 lefevre el derecho](#) - Nov 05 2022

web 2020 2021 memento recurso de amparo 2020 2021 francis lefevre librería dykinson memento recurso de amparo 2020

2021 mementos de derecho administrativo

*2020 2021 memento recurso de amparo lefebvre* - Mar 09 2023

web comentarís dada la importancia del recurso de amparo como instrumento último para la tutela de los derechos fundamentales en este memento se analizan los múltiples

**memento recurso de amparo 2020 2021 paraprofesionales com** - Apr 10 2023

web oct 8 2019 una obra rigurosa con las oportunas citas a la jurisprudencia constitucional y en la que la información se expone de forma didáctica para que sea igualmente útil a

*memento recurso de amparo 2020 2021 by lefebvre el derecho* - Aug 02 2022

web memento recurso de amparo 2020 2021 pdf pages 4 40 memento recurso de amparo 2020 2021 pdf upload jason q williamson 4 40 downloaded from red ortax org

**memento práctico recurso de amparo 2020 2021** - Feb 08 2023

web memento recurso de amparo 2020 2021 memento recurso de amparo 2020 2021 2 downloaded from old restorativejustice org on 2022 08 06 by guest forms of ground

*memento recurso de amparo 2020 2021 pdf 2023 red ortax* - May 31 2022

web memento recurso de amparo 2020 2021 downloaded from customizer monos com by guest sweeney lester oecd business and finance outlook 2021 ai in business

**bölge adliye mahkemesi İstanbul bam 45 hukuk dairesi İstinaf** - Dec 26 2021

web nov 30 2021 ceza mahkemelerinde icra hukuk mahkemelerinde bazı hukuk mahkemelerinde de istinaf ve temyiz süresi kısa kararın tefhiminden itibaren yani

*memento recurso de amparo 2020 2021 copy customizer monos* - Mar 29 2022

web dec 30 2021 ankara bam 20 hd e 2020 480 k 2021 1687 t 30 12 2021 bölge adliye mahkemesi kararı

**memento recurso de amparo 2020 2021 lefebvre** - Aug 14 2023

web del papel que le corresponde al tribunal constitucional como intérprete supremo de la constitución con esta finalidad se hace un breve repaso de su origen histórico de su

*ankara bam 20 hd e 2020 480 k 2021 1687 t 30 12 2021* - Jan 27 2022

web İsmmmo hakkında geleceğe yönelik projeleriyle üyelerinin gelişimini sağlayan Şeffaflığı denetimi yeniliği savunan ve çevre sorunlarına duyarlı toplumumuzun aydınlatılmasına

*memento recurso de amparo 2020 2021 pdf donate gpshope* - Apr 29 2022

web memento recurso de amparo 2020 2021 is available in our digital library an online access to it is set as public so you can get it instantly our book servers hosts in multiple

*memento recurso de amparo 2020 2021 by lefevre el derecho* - Oct 04 2022

web *memento recurso de amparo 2020 2021 de lefevre el derecho diario*

constitucional *memento recurso de amparo 2020 2021 isbn*

*memento recurso de amparo 2020 2021 monograf* - Jul 01 2022

web 4 *memento recurso de amparo 2020 2021 2020 10 03 fissuring splitting off functions that were once managed internally has been phenomenally successful despite giving*

*ismmmo* - Nov 24 2021

web may 11 2020 *dİsİplİn soruŞturma raporu soruŞturma emrİ buraya soruŞturma emrini veren makam ile emrin tarih ve sayılı yazılmalıdır saniĖin kİmlİĖİ*

*soruŞturma raporu nasıl yazilir arşivleri büken* - Sep 22 2021

*memento recurso de amparo 2020 2021 download only dotnbm* - Jul 13 2023

web oct 9 2019 *resumen dada la importancia del recurso de amparo como instrumento último para la tutela de los derechos fundamentales en este memento se analizan los*

*read free nue york self portraits of a bare urban citizen* - Jul 08 2022

web things and expanding the urban sensorium and its capacities for liveliness in this important new book *abdoumalig simone* explores the nature of these alliances portraying urban districts as sites of enduring transformations through rhythms that mediate between the needs of residents not to draw too much attention to themselves and their

***erica simone nue york self portraits of a bare urban citizen*** - Mar 16 2023

web her acclaimed series *nue york self portraits of a bare urban citizen* are a surprising collection of images taken over a six year span which portray the artist going about *castle fitzjohns gallery* presents the book launch and solo exhibition of new unseen works by *erica simone* born 1985 one of new york s hottest up and coming and

*artist statement nue york self portraits of a bare urban citizen* - Nov 12 2022

web *nue york self portraits of a bare urban citizen* once an *angeleno* in paris and now a *parisian* in new york the big city is my true home and playground photography has become a vital passion and within it a never ending drive to challenge myself even if it means getting naked in the freezing snow

*nue york self portraits of a bare urban citizen full pdf* - May 06 2022

web *nue york self portraits of a bare urban citizen rembrandt self portraits nov 21 2020* a collection of *rembrandt s self portraits* throughout his life seeing ourselves mar 18 2023 the first chronicle of the whole story of female self portraiture through the centuries a key work in the study of women s art for centuries women s self

**nue york self portraits of a bare urban citizen linkedin** - Sep 10 2022

web mar 25 2015 self portraits of a bare urban citizen bloomed from an initial questioning about clothing and the importance of fashion in modern society erica simone takes on the nyc streets nude to

**nue york a new photobook featuring self portraits of a bare urban** - Jun 19 2023

web mar 14 2015 nue york self portraits of a bare urban citizen bloomed from an initial questioning about clothing and the importance of fashion in modern society what we wear acts as a silent language allowing us to portray who we are or want to be suggesting to the outer world an impression on us whatever that may be

**nue york thames hudson australia new zealand** - Aug 09 2022

web dec 1 2016 nue york self portraits of a bare urban citizen 55 00 currently out of stock please contact us for more information

**erica simone nue york self portraits of a bare urban citizen goodreads** - Jul 20 2023

web feb 23 2016 questioning how we express ourselves with clothing and fashion erica simone born 1985 creates surprising self portraits as she goes about everyday life entirely in the nude on the busy streets of new york city we see simone riding the subway and walking the streets of chinatown all the while wearing nothing but her skin

**nue york self portraits of a bare urban citizen lensculture** - Sep 22 2023

web nue york self portraits of a bare urban citizen bloomed from an initial questioning about clothing and its importance in society today fashion acts as a language it allow us to silently portray who we are or want to be offering society an impression about us whatever that may be

**nue york self portraits of a bare urban citizen** - Mar 04 2022

web fourteen artists and picture book illustrators present self portraits and brief descriptions that explore their varied ethnic origins their work and their feelings about themselves max beckmann tordotcom

**nue york castlefitzjohns** - Dec 13 2022

web her acclaimed series nue york self portraits of a bare urban citizen are a surprising collection of images taken over a six year span which portray the artist going about everyday life on the busy streets of new york city entirely in the nude

***nue york self portraits of a bare urban citizen by erica simone*** - Aug 21 2023

web mar 26 2015 nue york self portraits of a bare urban citizen bloomed from an initial questioning about clothing and the importance of fashion in modern society what we wear acts as a silent language allowing us to portray who we are or want to be suggesting to the outer world an impression on us whatever that may be

**the book erica simone** - Oct 23 2023

web nue york self portraits of a bare urban citizen once an angeleno in paris and now a parisian in new york the big city is my

true home and playground photography has become a vital passion and within it a never ending drive to challenge myself even if it means getting naked in the freezing snow

**photographer gets naked in new york to transcend taboo artnet news** - Oct 11 2022

web jan 14 2016 erica simone nue york self portraits of a bare urban citizen is on view at castle fitzjohns gallery from january 14 february 14 2016

**20 jan nsfw nue york self portraits of a bare urban citizen** - May 18 2023

web jan 20 2016 for photographer erica simone who walked naked among new york natives for six years shooting photos for her upcoming book nue york self portraits of a bare urban citizen published by damiani and launching jan 14 at castle fitzjohns gallery the idea went deeper than shock value read the full article

nue york self portraits of a bare urban citizen abebooks - Jan 14 2023

web nue york self portraits of a bare urban citizen is a colourfully daring collection of photographs in which the artist promotes being comfortable in ones own skin simones energy and vulnerability take her to neighborhoods all over the big apple and into the everyday lives of its citizens

download solutions nue york self portraits of a bare urban citizen - Apr 05 2022

web nue york self portraits of a bare urban citizen a portrait of the artist as a young man apr 25 2022 the journey of a mind strained with religion family and culture to the portrait of a mind that has achieved emotional intellectual and artistic adulthood under a father s powerful influence bullied by peers at

**erica simone nue york the eye of photography magazine** - Apr 17 2023

web jan 8 2016 preview erica simone photographs surprising self portraits as she goes about everyday life entirely in the nude on the busy streets of new york city we see simone riding the subway and walking the streets of

**select photos from erica simone s nue york self portraits of a bare** - Feb 15 2023

web mar 25 2011 erica simone nue york self portraits of a bare urban citizen credit erica simone first published on march 25 2011 2 31 pm

**nue york self portraits of a bare urban citizen by simone erica** - Jun 07 2022

web may 16 2023 nue york self portraits of a bare urban citizen is a colourfully daring collection of photographs in which the artist promotes being comfortable in ones own skin simones energy and vulnerability take her to neighborhoods all over the big apple and into the everyday lives of its citizens