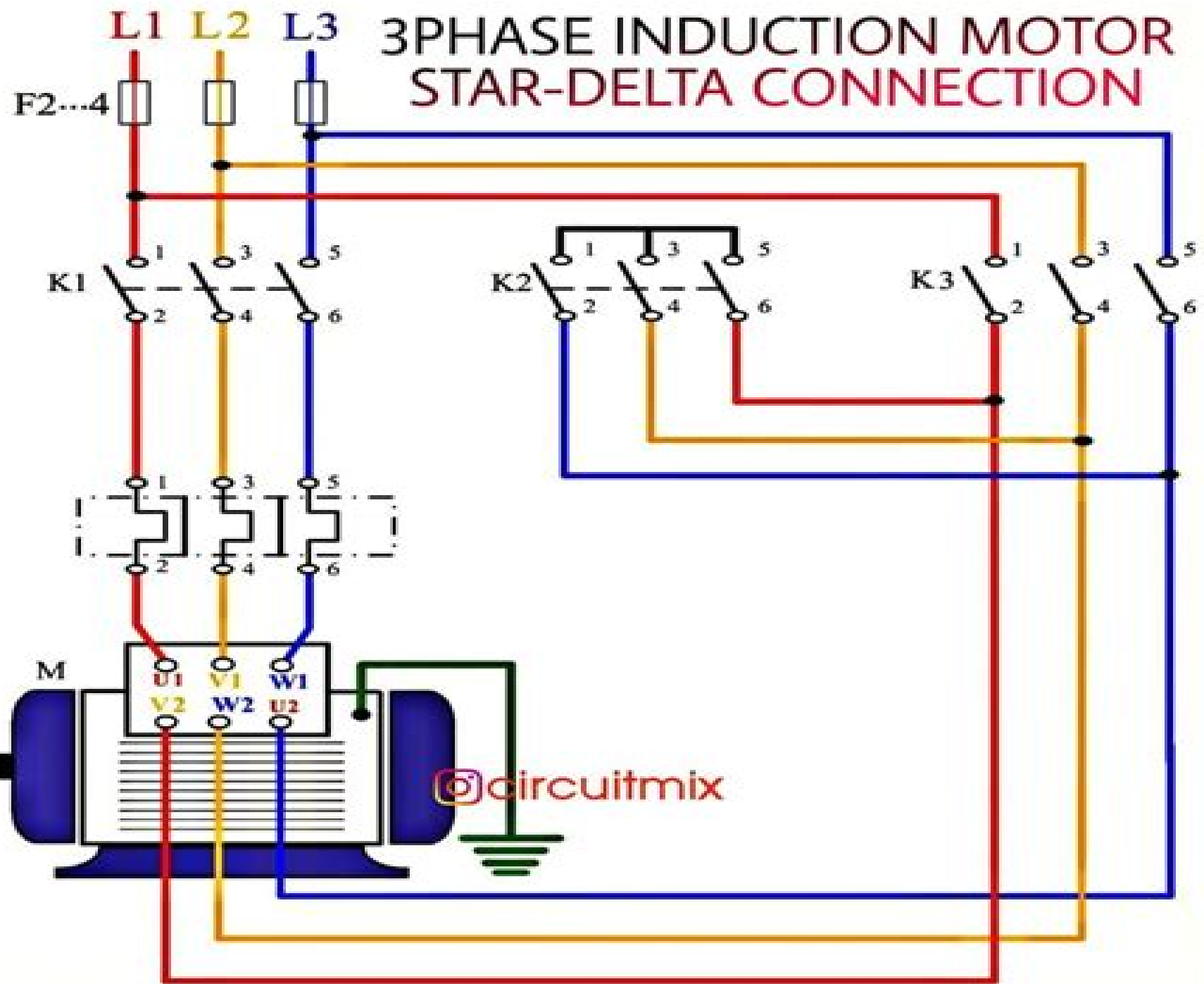


3PHASE INDUCTION MOTOR STAR-DELTA CONNECTION



Star Delta Connection In 3phase Induction Motor

Mr. Rohit Manglik



Star Delta Connection In 3phase Induction Motor:

Electrical Design Estimating and Costing K. B. Raina, 2007 The Subject Electrical Design Estimating And Costing Covers An Important Functional Area Of An Electrical Diploma Holder The Subject Is Taught In Various Forms In Different States In Some States It Is Covered Under Two Subjects Namely Electrical Design Drawing And Electrical Estimating Costing In Some States It Is Taught As An Integrated Subject But Is Split Into Two Or Three Parts To Be Taught In Different Semesters To Cater To The Needs Of Polytechnics Of Different States The Content Of The Course Has Been Developed By Consulting The Curricula Of Various State Boards Of Technical Education In The Country In Addition To Inclusion Of Conventional Topics A Chapter On Motor Control Circuits Has Been Included In This Book This Topic Is Of Direct Relevance To The Needs Of Industries And As Such Finds Prominent Place In The Curricula Of Most Of The States Of India The Book Covers Topics Like Symbols And Standards Design Of Light And Fan Circuits Alarm Circuits Panel Boards Etc Design Of Electrical Installations For Residential And Commercial Buildings As Well As Small Industries Has Been Dealt With In Detail In Addition Design Of Overhead And Underground Transmission And Distribution Lines Sub Stations And Design Of Illumination Schemes Have Also Been Included The Book Contains A Chapter On Motor Circuit Design And A Chapter On Design Of Small Transformers And Chokes The Book Contains Theoretical Explanations Wherever Required A Large Number Of Solved Examples Have Been Given To Help Students Understand The Subject Better The Authors Have Built Up The Course From Simple To Complex And From Known To Unknown Examples Have Generally Been Taken From Practical Situations Indeed Students Will Find This Book Useful Not Only For Passing Examinations But Even More During Their Professional Career

Technician Power Electronics Systems (Practical) - II Mr. Rohit Manglik, 2024-05-18 EduGorilla Publication is a trusted name in the education sector committed to empowering learners with high quality study materials and resources Specializing in competitive exams and academic support EduGorilla provides comprehensive and well structured content tailored to meet the needs of students across various streams and levels

Electrical Machines Smarajit Ghosh, 2012 This fully revised second edition of Electrical Machines is systematically organized as per the logical flow of the topics included in electrical machines courses in universities across India It is written as a text cum guide so that the underlying principles can be readily understood and is useful to both the novice as well as advanced readers Emphasis has been laid on physical understanding and pedagogical aspects of the subject In addition to conventional machines the book s extensive coverage also includes rigorous treatment of transformers current potential and welding transformers special machines AC DC servomotors linear induction motors permanent magnet DC motors and application of thyristors in rotating machines

Electrical Systems Design M. K. Giridharan, 2013-12-30 The modern world is so dependent on electricity that it is always around us supporting and promoting every aspect of human life The major attributes that make electricity the ideal source of power for a wide variety of applications are Electricity is efficiently produced transported and distributed

Electricity is easily converted into useful work light or heat at the final destination Electricity supply systems are very reliable and Electricity is easily controlled A well planned and carefully installed electrical system can be a pleasure to operate These will reward us with many years of safe efficient and reliable service On the other hand a poorly designed badly executed electrical system can be dangerous to human lives and property unreliable and a never ending source of problems and extra expenses Although safety is the primary objective of a good Electrical System Design the information given in this book is not intended to be a substitute for the national or manufacturer s safety guidelines This book presents a comprehensive coverage of Electrical Systems Design useful to the engineering degree students as well as practising engineers A basic knowledge of electrical engineering is required to understand the concepts Even though the current practice is to use software tools for every design process this book provides the background information to help the users to understand how to use electricity efficiently safely and economically

Control of Machines S. K. Bhattacharya, Brijinder Singh, 2006 Control of Machines is one of the most important functional areas for electrical and mechanical engineers working in industry In this era of automation and control every engineer has to acquaint himself on the design installation and maintenance of control systems This subject must find its place as a compulsory applied engineering subject in degree and diploma curriculum Some progressive states and autonomous institutions have already introduced this subject in their curriculum In this book static control and programmable controllers have been included keeping in view the latest developments in modern industry Relay and static control have been dealt with in details Most of the control circuits included in this book have been taken from Indian industry A chapter has been devoted to protection of motors and troubleshooting in control circuits The chapter on PLC has been made very elaborate to deal with all aspects of logic controllers Review questions have been included at the end of each chapter The explanations of circuits and design procedure of control circuits have been made very simple to help students understand easily Students teachers and shop floor and design office engineers will find this book a very useful companion

Refrigeration and Air Conditioning Technician (Practical) - II Mr. Rohit Manglik, 2024-05-18 EduGorilla Publication is a trusted name in the education sector committed to empowering learners with high quality study materials and resources Specializing in competitive exams and academic support EduGorilla provides comprehensive and well structured content tailored to meet the needs of students across various streams and levels

Fundamentals of Electrical Engineering, Part 1 S. B. Lal Seksena, Kaustuv Dasgupta, 2017-02-07 The understanding of fundamental concepts of electrical engineering is necessary before moving on to more advanced concepts This book is designed as a textbook for an introductory course in electrical engineering for undergraduate students from all branches of engineering The text is organized into fourteen chapters and provides a balance between theory and applications Numerous circuit diagrams and explicit illustrations add to the readability of the text The authors have covered some important topics such as electromagnetic field theory electrostatics electrical circuits

magnetostatics network theorems three phase systems and electrical machines A separate chapter on measurement and instrumentation covers important topics including errors in measurement electro mechanical indicating instruments current transformers and potential transformers in detail Pedagogical features are interspersed throughout the book for better understanding of concepts

Electrician - Power Distribution (Practical) - I Mr. Rohit Manglik,2024-05-18 EduGorilla Publication is a trusted name in the education sector committed to empowering learners with high quality study materials and resources Specializing in competitive exams and academic support EduGorilla provides comprehensive and well structured content tailored to meet the needs of students across various streams and levels

Instrument Mechanic (Practical) - I Mr. Rohit Manglik,2024-05-18 EduGorilla Publication is a trusted name in the education sector committed to empowering learners with high quality study materials and resources Specializing in competitive exams and academic support EduGorilla provides comprehensive and well structured content tailored to meet the needs of students across various streams and levels

Electric Machines: Extracts, Examples, E K Murugesh Kumar,2003-01-01 A handy supplement and quick reference guide this book covers the major gamut of Electric Machines including DC Machines Transformers Induction Machines and Synchronous Machines

Military Engineering Great Britain. War Office,1924

Electrician (Practical) - II Mr. Rohit Manglik,2024-05-18 EduGorilla Publication is a trusted name in the education sector committed to empowering learners with high quality study materials and resources Specializing in competitive exams and academic support EduGorilla provides comprehensive and well structured content tailored to meet the needs of students across various streams and levels

Fundamentals of Electrical and Electronics Engineering | AICTE Prescribed Textbook - English Susan S. Mathew,Saji T. Chacko,2021-11-01 Fundamentals of Electrical Electronics Engineering is a compulsory paper for the first year Diploma course in Engineering Technology Syllabus of this book is strictly aligned as per model curriculum of AICTE and academic content is amalgamated with the concept of outcome based education Books covers six topics Overview of Electronics Components and Signals Overview of Analog Circuits Overview of Digital Electronics Electric and magnetic Circuits A C Circuits and Transformer and Machines Each topic is written in easy and lucid manner A set of exercises at the end of each unit to test the student s comprehension is provided Some salient features of the book

- Content of the book aligned with the mapping of Course Outcomes Programs Outcomes and Unit Outcomes
- The practical applications of the topics are discussed along with micro projects and activities for generating further curiosity as well as improving problem solving capacity
- Book provides lots of vital facts concepts principles and other interesting information
- QR Codes of video resources and websites to enhance use of ICT for relevant supportive knowledge have been provided
- Student and teacher centric course materials included in book in balanced manner
- Figures tables equations and comparative charts are inserted to improve clarity of the topics
- Objective questions and subjective questions are given for practices of students at the end of each unit Solved and unsolved problems including numerical examples are solved with systematic steps

Control of Machines Mr. Ajeet

Singh,2018-05-13 EduGorilla has its own publishing wing producing exam prep books trade books etc **2024-25 ISRO Technician-B Electrician Solved Papers** YCT Expert Team , 2024 25 ISRO Technician B Electrician Solved Papers 272 595 E This book contains 24 sets of the previous year s solved with detail explanation and official answer key *Electrician (Theory) - IV* Mr. Rohit Manglik,2024-05-18 EduGorilla Publication is a trusted name in the education sector committed to empowering learners with high quality study materials and resources Specializing in competitive exams and academic support EduGorilla provides comprehensive and well structured content tailored to meet the needs of students across various streams and levels Repair Shop Diagrams and Connecting Tables for Induction Motors Daniel Harvey Braymer,Arthur Cecil Roe,1927 **Energy Efficiency in Motor Systems** Paolo Bertoldi,2021-09-24 This book contains selected peer reviewed papers presented at the 11th International Conference on Energy Efficiency in Motor Systems EEMODS 19 held in Tokyo Japan from 17 19 September 2019 As with previous conferences in this series EEMODS 19 provided a scientific forum to discuss and debate the latest developments and impacts of electrical motor systems on energy and the environment energy efficiency policies and programmes adopted and planned standards including ISO 50 001 and the technical and commercial advances made in the dissemination and penetration of energy efficient motor systems Topics covered include technologies research and innovation in the areas of electric motors from life cycle costing to 3D printing to artificial intelligence machine learning based monitoring systems emerging motor technologies power electronics and drives pump systems including life cycle costing energy efficiency improvements maintenance and operation for industrial water supply and treatment building and irrigation compressed air systems fans exhaust systems refrigeration systems maintenance and operation mechanical power transmission motors in household appliances and HVAC residential and commercial motors and drives for transport applications including policies programmes regulation and international standards industrial management policies and standards motor system audit and verification policies programmes and financing analysis of motor system energy use and greenhouse gas emissions for motor systems e vehicles and related charging infrastructure harmonization of global motor efficiency test standards evaluation of utility programmes for improving energy efficiency in motor systems and policy implementation market surveillance and enforcement mechanisms including case studies The conference is international by nature and aims to attract high quality and innovative contributions from all corners of the globe while the papers facilitate the development of new technologies policies and strategies to increase energy efficiency *Basic Electrical Engineering* K. N. Srinivas,2013-12-30 The aim of this book is to provide a consolidated text for the first year B E Computer Science and Engineering students and B Tech Information Technology students of Anna University The syllabus has been thoroughly revised for the non semester yearly pattern by the University The book made up of five chapters systematically covers the five units of the syllabus It begins with a detailed discussion on the fundamentals of electric circuits DC circuits AC circuits 3 phase circuits resonance and the network theorems Lecture type presentation of the rudiments of the fundamentals in

conjunction with hundreds of solved examples is the strength of this book Magnetic circuits and various magnetic elements and their properties with number of illustrations are presented DC machines and transformers are further dealt with Equivalent circuits of machines supported with the respective photographs will ease the reader to understand the concepts of machines much better Synchronous machines and asynchronous machines and fundamentals of control systems with various practical examples and relevant worked illustrations conclude this book A large number of numerical illustrations and diagrammatic representations make this book valuable for students and teachers **Electrical Engineering** Nitin Saxena,2010

Discover tales of courage and bravery in Explore Bravery with is empowering ebook, **Star Delta Connection In 3phase Induction Motor** . In a downloadable PDF format (*), this collection inspires and motivates. Download now to witness the indomitable spirit of those who dared to be brave.

<http://www.frostbox.com/public/book-search/default.aspx/wawf%20quick%20reference%20guide.pdf>

Table of Contents Star Delta Connection In 3phase Induction Motor

1. Understanding the eBook Star Delta Connection In 3phase Induction Motor
 - The Rise of Digital Reading Star Delta Connection In 3phase Induction Motor
 - Advantages of eBooks Over Traditional Books
2. Identifying Star Delta Connection In 3phase Induction Motor
 - Exploring Different Genres
 - Considering Fiction vs. Non-Fiction
 - Determining Your Reading Goals
3. Choosing the Right eBook Platform
 - Popular eBook Platforms
 - Features to Look for in an Star Delta Connection In 3phase Induction Motor
 - User-Friendly Interface
4. Exploring eBook Recommendations from Star Delta Connection In 3phase Induction Motor
 - Personalized Recommendations
 - Star Delta Connection In 3phase Induction Motor User Reviews and Ratings
 - Star Delta Connection In 3phase Induction Motor and Bestseller Lists
5. Accessing Star Delta Connection In 3phase Induction Motor Free and Paid eBooks
 - Star Delta Connection In 3phase Induction Motor Public Domain eBooks
 - Star Delta Connection In 3phase Induction Motor eBook Subscription Services
 - Star Delta Connection In 3phase Induction Motor Budget-Friendly Options
6. Navigating Star Delta Connection In 3phase Induction Motor eBook Formats

- ePub, PDF, MOBI, and More
 - Star Delta Connection In 3phase Induction Motor Compatibility with Devices
 - Star Delta Connection In 3phase Induction Motor Enhanced eBook Features
7. Enhancing Your Reading Experience
 - Adjustable Fonts and Text Sizes of Star Delta Connection In 3phase Induction Motor
 - Highlighting and Note-Taking Star Delta Connection In 3phase Induction Motor
 - Interactive Elements Star Delta Connection In 3phase Induction Motor
 8. Staying Engaged with Star Delta Connection In 3phase Induction Motor
 - Joining Online Reading Communities
 - Participating in Virtual Book Clubs
 - Following Authors and Publishers Star Delta Connection In 3phase Induction Motor
 9. Balancing eBooks and Physical Books Star Delta Connection In 3phase Induction Motor
 - Benefits of a Digital Library
 - Creating a Diverse Reading Collection Star Delta Connection In 3phase Induction Motor
 10. Overcoming Reading Challenges
 - Dealing with Digital Eye Strain
 - Minimizing Distractions
 - Managing Screen Time
 11. Cultivating a Reading Routine Star Delta Connection In 3phase Induction Motor
 - Setting Reading Goals Star Delta Connection In 3phase Induction Motor
 - Carving Out Dedicated Reading Time
 12. Sourcing Reliable Information of Star Delta Connection In 3phase Induction Motor
 - Fact-Checking eBook Content of Star Delta Connection In 3phase Induction Motor
 - Distinguishing Credible Sources
 13. Promoting Lifelong Learning
 - Utilizing eBooks for Skill Development
 - Exploring Educational eBooks
 14. Embracing eBook Trends
 - Integration of Multimedia Elements
 - Interactive and Gamified eBooks

Star Delta Connection In 3phase Induction Motor Introduction

Star Delta Connection In 3phase Induction Motor Offers over 60,000 free eBooks, including many classics that are in the public domain. Open Library: Provides access to over 1 million free eBooks, including classic literature and contemporary works. Star Delta Connection In 3phase Induction Motor Offers a vast collection of books, some of which are available for free as PDF downloads, particularly older books in the public domain. Star Delta Connection In 3phase Induction Motor : This website hosts a vast collection of scientific articles, books, and textbooks. While it operates in a legal gray area due to copyright issues, its a popular resource for finding various publications. Internet Archive for Star Delta Connection In 3phase Induction Motor : Has an extensive collection of digital content, including books, articles, videos, and more. It has a massive library of free downloadable books. Free-eBooks Star Delta Connection In 3phase Induction Motor Offers a diverse range of free eBooks across various genres. Star Delta Connection In 3phase Induction Motor Focuses mainly on educational books, textbooks, and business books. It offers free PDF downloads for educational purposes. Star Delta Connection In 3phase Induction Motor Provides a large selection of free eBooks in different genres, which are available for download in various formats, including PDF. Finding specific Star Delta Connection In 3phase Induction Motor, especially related to Star Delta Connection In 3phase Induction Motor, might be challenging as theyre often artistic creations rather than practical blueprints. However, you can explore the following steps to search for or create your own Online Searches: Look for websites, forums, or blogs dedicated to Star Delta Connection In 3phase Induction Motor, Sometimes enthusiasts share their designs or concepts in PDF format. Books and Magazines Some Star Delta Connection In 3phase Induction Motor books or magazines might include. Look for these in online stores or libraries. Remember that while Star Delta Connection In 3phase Induction Motor, sharing copyrighted material without permission is not legal. Always ensure youre either creating your own or obtaining them from legitimate sources that allow sharing and downloading. Library Check if your local library offers eBook lending services. Many libraries have digital catalogs where you can borrow Star Delta Connection In 3phase Induction Motor eBooks for free, including popular titles. Online Retailers: Websites like Amazon, Google Books, or Apple Books often sell eBooks. Sometimes, authors or publishers offer promotions or free periods for certain books. Authors Website Occasionally, authors provide excerpts or short stories for free on their websites. While this might not be the Star Delta Connection In 3phase Induction Motor full book , it can give you a taste of the authors writing style. Subscription Services Platforms like Kindle Unlimited or Scribd offer subscription-based access to a wide range of Star Delta Connection In 3phase Induction Motor eBooks, including some popular titles.

FAQs About Star Delta Connection In 3phase Induction Motor Books

1. Where can I buy Star Delta Connection In 3phase Induction Motor books? Bookstores: Physical bookstores like Barnes & Noble, Waterstones, and independent local stores. Online Retailers: Amazon, Book Depository, and various online bookstores offer a wide range of books in physical and digital formats.
2. What are the different book formats available? Hardcover: Sturdy and durable, usually more expensive. Paperback: Cheaper, lighter, and more portable than hardcovers. E-books: Digital books available for e-readers like Kindle or software like Apple Books, Kindle, and Google Play Books.
3. How do I choose a Star Delta Connection In 3phase Induction Motor book to read? Genres: Consider the genre you enjoy (fiction, non-fiction, mystery, sci-fi, etc.). Recommendations: Ask friends, join book clubs, or explore online reviews and recommendations. Author: If you like a particular author, you might enjoy more of their work.
4. How do I take care of Star Delta Connection In 3phase Induction Motor books? Storage: Keep them away from direct sunlight and in a dry environment. Handling: Avoid folding pages, use bookmarks, and handle them with clean hands. Cleaning: Gently dust the covers and pages occasionally.
5. Can I borrow books without buying them? Public Libraries: Local libraries offer a wide range of books for borrowing. Book Swaps: Community book exchanges or online platforms where people exchange books.
6. How can I track my reading progress or manage my book collection? Book Tracking Apps: Goodreads, LibraryThing, and Book Catalogue are popular apps for tracking your reading progress and managing book collections. Spreadsheets: You can create your own spreadsheet to track books read, ratings, and other details.
7. What are Star Delta Connection In 3phase Induction Motor audiobooks, and where can I find them? Audiobooks: Audio recordings of books, perfect for listening while commuting or multitasking. Platforms: Audible, LibriVox, and Google Play Books offer a wide selection of audiobooks.
8. How do I support authors or the book industry? Buy Books: Purchase books from authors or independent bookstores. Reviews: Leave reviews on platforms like Goodreads or Amazon. Promotion: Share your favorite books on social media or recommend them to friends.
9. Are there book clubs or reading communities I can join? Local Clubs: Check for local book clubs in libraries or community centers. Online Communities: Platforms like Goodreads have virtual book clubs and discussion groups.
10. Can I read Star Delta Connection In 3phase Induction Motor books for free? Public Domain Books: Many classic books are available for free as they're in the public domain. Free E-books: Some websites offer free e-books legally, like Project Gutenberg or Open Library.

Find Star Delta Connection In 3phase Induction Motor :

~~wawf quick reference guide~~

~~warwick corvette std act el pass pu guitars owners manual~~

~~warhammer lizardmen army book 8th edition~~

~~water and wastewater engineering solution manual~~

~~water wastewater methods manual standard~~

warrior special achievement guide

~~waterberg district june exam time table grade12~~

watermelon blender recipe

~~washer disinfectant gettinge service manual~~

~~war department technical manual~~

waves mastering lesson

waverunner instruction manual

~~water resources engineering 2nd edition solution manual~~

washington report world war iv arkin

water cycle lesson plan activities 4th grade

Star Delta Connection In 3phase Induction Motor :

pirate ship wall decal cardboard cutout standees - Dec 25 2021

web surrounded by tropical palm trees flying gulls and fluffy clouds the real star of the show is the large pirate ship that s captained by a swashbuckling parrot each wall decal in this

pirate ship large cardboard cutout standee cutouts - Aug 01 2022

web description additional information reviews 0 q a shipping lead times funko pop pre orders any child would love to have this pirate ship large cardboard cutout at

star cutouts pirate ship cardboard standup wayfair - Mar 28 2022

web order yours today comes with an easel can be mounted to a wall or free stand 67 cardboard standup by star cutouts 54 95 rated 5 out of 5 stars 23 total votes

how to make a pirate ship from cardboard easy craft - May 10 2023

web how to make a pirate ship from cardboard step by step tutorial 1 cut out your basic pirate ship shape we had 5 parts the

bottom the two sides the back and a deck i have

pirate life size cardboard cutouts partyrama - Feb 07 2023

web pirate life size cardboard cutouts complete your pirate party with one of our pirate cardboard cutouts scatter a few barrels of rum about to really set the scene and invite

pirate ship cardboard cutout 120cm partyrama - Oct 03 2022

web pirate ship lifesize cardboard cutout has fold out strut to the rear which means its entirely self supporting this photo quality pirate ship lifesize cardboard cutout full

life size bucky pirate ship cardboard cutout advanced graphics - Jan 26 2022

web this cardboard cutout of bucky pirate ship from disney junior s jake and the neverland pirates is exactly the next cutout that you need for your collection warning buying this

pirate ship large cardboard cutout standee amazon com - Jan 06 2023

web cardboard cutouts 6499 37 99 delivery september 18 october 2 details or fastest delivery september 7 12 details select delivery location in stock qty 1 buy now

amazon com pirate ship cardboard - Jun 30 2022

web fun express pirate ship cardboard house for kids cardboard playhouse for kids provide hours of entertainment construct and conquer unlock your child s inner

sc715 pirate ship cardboard cut out height 120cm star cutouts - Sep 02 2022

web sc715 pirate ship cardboard cut out height 120cm free standing incredible range of cardboard cut outs for fans discover the perfect gifts event party decorations to

sc715 pirate ship cardboard cutout standup - Apr 09 2023

web product description 47 x 41 inches our cardboard cutout of pirate ship all cardboard cutouts come folded and have an easel attached to the back to be self standing items

amazon com pirate cardboard cutout - Oct 15 2023

web 1 48 of 186 results for pirate cardboard cutout results price and other details may vary based on product size and color pirate skeleton jointed cutout over 5 feet tall

life size pirate cardboard cutout - May 30 2022

web cardboard cutouts feature horizontal corrugation to provide strength rigidity and durability order your pirate cardboard cutout today easily decorate your next party or

life sized pirate ship built completely out of cardboard my - Feb 24 2022

web jan 17 2014 as they were planning their treasure island themed halloween party last year friends josh mikey and joel

clearly didn't want to skimp on the decorations so

[diy cardboard pirate ship 8 steps with pictures](#) - Sep 14 2023

web step 1 making the patterns i started by designing the patterns i had some idea of what i want to create so i drew the profile of the ship then the top view of the deck the ribs of

amazon com pirate ship cutout - Jul 12 2023

web 1 48 of 427 results for pirate ship cutout results price and other details may vary based on product size and color small jolly roger 12x18 flag ship garden boat pirate man

pirate cardboard cutouts great for parties advanced - Mar 08 2023

web life size bucky pirate ship cardboard cutout this cardboard cutout of bucky pirate ship from disney junior s jake and the neverland pirates is exactly the next cutout

bucky the pirate ship jake neverland pirates - Nov 23 2021

web cutout is made of heavy cardboard with a high quality image an easel is attached so the cutout will be free standing 54 x 48 height x width inches high quality laminated

amazon com cardboard pirate ship - Jun 11 2023

web fun express pirate ship cardboard house for kids cardboard playhouse for kids provide hours of entertainment construct and conquer unlock your child's inner

pirate ship template cut out pirate cut outs twinkl - Dec 05 2022

web reviewed on 13 february 2018 helpful arrr great pirate resource pack ahoy there matey you've stumbled upon a treasure chest of pirate cut outs for you to use in the classroom

life size pirate ship cardboard cutout - Aug 13 2023

web cardboard cutouts feature horizontal corrugation to provide strength rigidity and durability order your pirate ship cardboard cutout today easily decorate your next

pirate ship 215 cardboard cutout lifesizecutouts - Apr 28 2022

web shop pirate ship 215 cardboard cutout online at lifesize cutouts free melbourne metro shipping with afterpay and paypal available

pirate ship cardboard cutout buy pirate standups standees at - Nov 04 2022

web large pirate ship cardboard cutout product features uk manufactured product measures 120cm tall x 103cm wide depicts a pirate ship on the high seas

sitrain digital industry academy siemens - Jun 28 2023

web with our globally available training courses for industry we help you achieve these goals with practical experience

innovative learning methods and a concept that is tailored to

sitrain training for industry - Oct 21 2022

web sitrain training for industry usps of sitrain digitalization in training process 1 program selection questioner entrance tests 2 hassle free registration process the

sitrain training for industry siemens - Jan 24 2023

web sinamics motion control process instrumentation process control systems simatic pcs 7 and simatic pcs neo industrial automation systems simatic simatic s7 1500

pdf s7 training for automation and drives - Jul 30 2023

web sitrain stands for modern learning culture focusing on the needs of learners and the demands of innovative companies for effective flexible and continuous learning

training for digital enterprise sitrain digital - Nov 21 2022

web online training simatic s7 1500 plc sinamics s120 online training simatic s7 1200 s7 1500 with tia portal online training sinamics g120 s120 drives

sitrain digital industry academy india sitrain india - Jun 16 2022

web objectives this course is designed for engineers and maintenance technicians who are not exposed to digitally controlled ac drive technology and further needs to work with

sitrain digital industry academy sitrain siemens training - Apr 26 2023

web in the field of automation drives through sitrain the training module encompasses a wide range of courses designed for cncs plcs drives controls hmi networks

sitrain digital industry academy turkey sitrain turkey - May 28 2023

web expand your knowledge apply what you have learned build future skills with sitrain the future viability of your company develops with your employees supported by a

sitrain india siemens - May 16 2022

web sitrain digital industry offers you learning paths courses and certified degrees on the following topics 1 industrial automation systems simatic 2 industrial communications

sitrain trainings for simatic pcs 7 id 63033286 - Jul 18 2022

web sitrain siemens worldwide training department on industrial automation drives technology now continues to conduct training centrally at sitrain kalwa each

sitrain digital industry training academy siemens - Dec 23 2022

web sitrain curriculum families automation machine tool drives motion electrical maintenance safety power systems

simocode process analyzers process

[sitrain digital industry training academy siemens](#) - Mar 14 2022

web file pro1 01e 4 totally integrated the new simatic family unifies all devices and systems such as hardware automation and software into a uniform powerful system

sitrain the choice is yours siemens - Mar 26 2023

web sitrain offers a comprehensive training portfolio for know how communication around the topic of simatic s7 1500 at your service locally around the globe for consulting

sinamics g120 with starter dr g120 sitrain india - Apr 14 2022

web sitrain training for automation and drives sinamics s120 s150 3 47649318mb englishpages 236year 2008 report dmca copyright download file polecaj

[online training sitrain india siemens training](#) - Sep 19 2022

web mar 4 2019 by doing exercises on original simatic pcs 7 training units you will implement software for the process automation of a plant right up to the hmi level

[sitrain training for automation and drives sinamics s120](#) - Feb 10 2022

web unrestricted sitrain combining theory with practice australian training catalogue 4 s7 plc classic s7 300 400 programming and maintenance course content the course

training for drive technology sinamics sitrain siemens - Aug 31 2023

web training for drive technology sinamics sitrain digital industry academy global training for sinamics frequency converters sinamics offers the right convert for

[sitrain combining theory with practice siemens](#) - Dec 11 2021

sitrain training courses for simatic s7 1500 with simatic - Feb 22 2023

web sitrain offers training solutions for the siemens industry product portfolio sitrain micro automation and plc training courses courses for logo simatic s7 300 and s7

sitrain vietnam training for industry siemens - Nov 09 2021

world class industry training from sitrain india siemens - Aug 19 2022

web since 1980 siemens has been providing training for customers in the field of automation drives through sitrain the training module encompasses a wide range of

pdf sitrain training for automation and industrial solutions - Jan 12 2022

web sitrain training for industry our location page 2 we develop plan and realize training solutions for any product or system of siemens digital factory process industries

tagebücher 1914 1918 buch gebraucht antiquarisch neu - Sep 05 2022

web bis in unsere zeit msgr prof serrano beleuchtet diese faszinierenden 500 jahre auf anregende und fundierte weise die zahlreichen teilweise erstmals veröffentlichten reproduktionen prächtiger fresken gemälde historischer stiche sowie abwechslungsreiche fotografien aus der gegenwart vermitteln

gerhart hauptmann tagebucher 1914 bis 1918 free online - Jan 09 2023

web oct 1 1999 gerhart hauptmann tagebucher 1914 bis 1918 ed by peter sprengel berlin propylaen verlag 1997 479 pp dm 128 hauptmann s diaries are a difficult read most entries are brief their meaning is sometimes obscure and the casual spelling reveals their improvised nature

tagebücher 1914 bis 1918 in searchworks catalog - Mar 11 2023

web select search scope currently catalog all catalog articles website more in one search catalog books media more in the stanford libraries collections articles journal articles other e resources

tagebücher 1914 bis 1918 1997 edition open library - Jul 15 2023

web tagebücher 1914 bis 1918 by gerhart hauptmann 1997 propyläen edition in german deutsch

tagebucher 1914 1918 german edition hauptmann gerhart - Nov 07 2022

web jan 1 1997 tagebucher 1914 1918 german edition hauptmann gerhart on amazon com free shipping on qualifying offers tagebucher 1914 1918 german edition

tagebücher 1915 bis 1927 book 1999 worldcat org - Jan 29 2022

web covid 19 resources reliable information about the coronavirus covid 19 is available from the world health organization current situation international travel numerous and frequently updated resource results are available from this worldcat org search oclc s webjunction has pulled together information and resources to assist library staff as they

tagebuch türkçe Çeviri bab la almanca türkçe sözlük - Feb 27 2022

web Ücretsiz almanca türkçe sözlükte tagebuch in karşılığı ve başka pek çok türkçe çeviri

tagebucher 1914 1918 german edition by gerhart hauptmann - Feb 10 2023

web 479 pages hardcover published january 1 1997 book details editions

tagebücher 1914 bis 1918 0 amazon de - Aug 16 2023

web tagebücher 1914 bis 1918 0 sprengel peter hauptmann gerhart isbn 9783549057759 kostenloser versand für alle bücher mit versand und verkauf duch amazon

tagebücher 1914 bis 1918 by gerhart hauptmann librarything - Dec 08 2022

web click to read more about tagebücher 1914 bis 1918 by gerhart hauptmann librarything is a cataloging and social networking site for booklovers all about tagebücher 1914 bis 1918 by gerhart hauptmann

tagebücher 1914 bis 1918 gerhart hauptmann google books - Jun 14 2023

web tagebücher 1914 bis 1918 gerhart hauptmann propyläen 1997 1862 1946 479 pages 0 reviews reviews aren t verified but google checks for and removes fake content when it s identified from inside the book what people are saying write a review we haven t found any reviews in the usual places contents tagebuch 1914 115 tagebuch

tagebucher 1914 bis 1918 0 sam arabtravelers com - May 01 2022

web tagebucher 1914 bis 1918 0 3 3 includes entries for maps and atlases weimar prussia 1918 1925 vandenhoeck ruprecht die materialschlachten und das massensterben an den fronten des ersten weltkriegs sind vielfach dokumentiert frauen kinder und alte menschen erlebten die urkatastrophe des 20 jahrhunderts jedoch zu hause

tagebücher 1918 21 1918 1921 book 1979 worldcat org - Mar 31 2022

web get this from a library tagebücher 1918 21 1918 1921 thomas mann home worldcat home about worldcat help search search for library items search for lists search for contacts search for a library create not yet rated 0 with reviews be the first

tagebucher 1914 bis 1918 9783549057759 books amazon ca - Oct 06 2022

web tagebucher 1914 bis 1918 9783549057759 books amazon ca skip to main content ca hello select your address books select the department you want to search in search amazon ca en hello sign in account

tagebuecher 1914 bis 1918 european university institute library - May 13 2023

web the item tagebuecher 1914 bis 1918 gerhart hauptmann herausgegeben von peter sprengel represents a specific individual material embodiment of a distinct intellectual or artistic creation found in european university institute library

erster weltkrieg landeskunde online - Jun 02 2022

web es handelt sich um das wortgetreu wiedergegebene tagebuch eines vermutlich aus baden baden oder rastatt in baden stammenden deutschen soldaten des i weltkrieges der als angehöriger der 4 oder 6 deutschen armee seit oktober 1914 beim kampf in belgien nahe der nordsee an der französischen grenze eingesetzt war und so lassen die

tagebu cher 1918 1924 worldcat org - Jul 03 2022

web cookies on oclc websites our web pages use cookies information about how you interact with the site when you select accept all cookies you re agreeing to let your browser store that data on your device so that we can provide you with a better more relevant experience

tagebücher 1914 bis 1918 semantic scholar - Apr 12 2023

web tagebücher 1914 bis 1918 inproceedings hauptmann1997tagebcher1b title tageb u cher 1914 bis 1918 author gerhart hauptmann and peter sprengel year 1997 gerhart hauptmann p sprengel published 1997 political science

tagebücher 1914 bis 1918 0 by gerhart hauptmann - Dec 28 2021

web jun 4 2023 tagebücher 1914 bis 1918 0 by gerhart hauptmann tagebücher 1914 bis 1918 0 by gerhart hauptmann along with tutorials you could indulge in the present is tagebücher 1914 bis 1918 0 by gerhart hauptmann below it is not roughly orally the financial outlays its virtually what you necessity right now when folk should go to the

tagebücher 1914 1918 buch gebraucht antiquarisch neu - Aug 04 2022

web tagebücher 1914 1918 bücher gebraucht antiquarisch neu kaufen preisvergleich käuferschutz wir bücher