

2-15.

The plate is subjected to the two forces at A and B as shown. If $\theta = 60^\circ$, determine the magnitude of the resultant of these two forces and its direction measured clockwise from the horizontal.

SOLUTION

Parallelogram Law: The parallelogram law of addition is shown in Fig. a .

Trigonometry: Using law of cosines (Fig. b), we have

$$F_R = \sqrt{8^2 + 6^2 - 2(8)(6) \cos 100^\circ}$$

$$= 10.80 \text{ kN} = 10.8 \text{ kN}$$

The angle θ can be determined using law of sines (Fig. b).

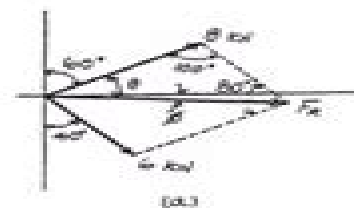
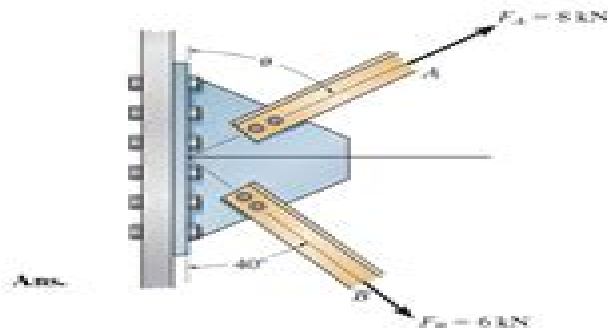
$$\frac{\sin \theta}{6} = \frac{\sin 100^\circ}{10.80}$$

$$\sin \theta = 0.5470$$

$$\theta = 33.16^\circ$$

Thus, the direction ϕ of F_R measured from the x axis is

$$\phi = 33.16^\circ - 30^\circ = 3.16^\circ$$



Ans.



Statics Mechanics Of Materials Hibbeler Solutions Manual

Peipei Pang



Statics Mechanics Of Materials Hibbeler Solutions Manual:

Right here, we have countless book **Statics Mechanics Of Materials Hibbeler Solutions Manual** and collections to check out. We additionally manage to pay for variant types and next type of the books to browse. The customary book, fiction, history, novel, scientific research, as without difficulty as various further sorts of books are readily easy to use here.

As this Statics Mechanics Of Materials Hibbeler Solutions Manual, it ends occurring creature one of the favored book Statics Mechanics Of Materials Hibbeler Solutions Manual collections that we have. This is why you remain in the best website to look the incredible ebook to have.

<http://www.frostbox.com/book/browse/fetch.php/Torrent%20Bmw%20335d%20Repair%20Manual.pdf>

Table of Contents Statics Mechanics Of Materials Hibbeler Solutions Manual

1. Understanding the eBook Statics Mechanics Of Materials Hibbeler Solutions Manual
 - The Rise of Digital Reading Statics Mechanics Of Materials Hibbeler Solutions Manual
 - Advantages of eBooks Over Traditional Books
2. Identifying Statics Mechanics Of Materials Hibbeler Solutions Manual
 - Exploring Different Genres
 - Considering Fiction vs. Non-Fiction
 - Determining Your Reading Goals
3. Choosing the Right eBook Platform
 - Popular eBook Platforms
 - Features to Look for in an Statics Mechanics Of Materials Hibbeler Solutions Manual
 - User-Friendly Interface
4. Exploring eBook Recommendations from Statics Mechanics Of Materials Hibbeler Solutions Manual
 - Personalized Recommendations
 - Statics Mechanics Of Materials Hibbeler Solutions Manual User Reviews and Ratings
 - Statics Mechanics Of Materials Hibbeler Solutions Manual and Bestseller Lists
5. Accessing Statics Mechanics Of Materials Hibbeler Solutions Manual Free and Paid eBooks

- Statics Mechanics Of Materials Hibbeler Solutions Manual Public Domain eBooks
- Statics Mechanics Of Materials Hibbeler Solutions Manual eBook Subscription Services
- Statics Mechanics Of Materials Hibbeler Solutions Manual Budget-Friendly Options
- 6. Navigating Statics Mechanics Of Materials Hibbeler Solutions Manual eBook Formats
 - ePub, PDF, MOBI, and More
 - Statics Mechanics Of Materials Hibbeler Solutions Manual Compatibility with Devices
 - Statics Mechanics Of Materials Hibbeler Solutions Manual Enhanced eBook Features
- 7. Enhancing Your Reading Experience
 - Adjustable Fonts and Text Sizes of Statics Mechanics Of Materials Hibbeler Solutions Manual
 - Highlighting and Note-Taking Statics Mechanics Of Materials Hibbeler Solutions Manual
 - Interactive Elements Statics Mechanics Of Materials Hibbeler Solutions Manual
- 8. Staying Engaged with Statics Mechanics Of Materials Hibbeler Solutions Manual
 - Joining Online Reading Communities
 - Participating in Virtual Book Clubs
 - Following Authors and Publishers Statics Mechanics Of Materials Hibbeler Solutions Manual
- 9. Balancing eBooks and Physical Books Statics Mechanics Of Materials Hibbeler Solutions Manual
 - Benefits of a Digital Library
 - Creating a Diverse Reading Collection Statics Mechanics Of Materials Hibbeler Solutions Manual
- 10. Overcoming Reading Challenges
 - Dealing with Digital Eye Strain
 - Minimizing Distractions
 - Managing Screen Time
- 11. Cultivating a Reading Routine Statics Mechanics Of Materials Hibbeler Solutions Manual
 - Setting Reading Goals Statics Mechanics Of Materials Hibbeler Solutions Manual
 - Carving Out Dedicated Reading Time
- 12. Sourcing Reliable Information of Statics Mechanics Of Materials Hibbeler Solutions Manual
 - Fact-Checking eBook Content of Statics Mechanics Of Materials Hibbeler Solutions Manual
 - Distinguishing Credible Sources
- 13. Promoting Lifelong Learning
 - Utilizing eBooks for Skill Development

- Exploring Educational eBooks
14. Embracing eBook Trends
- Integration of Multimedia Elements
 - Interactive and Gamified eBooks

Statics Mechanics Of Materials Hibbeler Solutions Manual Introduction

In this digital age, the convenience of accessing information at our fingertips has become a necessity. Whether its research papers, eBooks, or user manuals, PDF files have become the preferred format for sharing and reading documents. However, the cost associated with purchasing PDF files can sometimes be a barrier for many individuals and organizations. Thankfully, there are numerous websites and platforms that allow users to download free PDF files legally. In this article, we will explore some of the best platforms to download free PDFs. One of the most popular platforms to download free PDF files is Project Gutenberg. This online library offers over 60,000 free eBooks that are in the public domain. From classic literature to historical documents, Project Gutenberg provides a wide range of PDF files that can be downloaded and enjoyed on various devices. The website is user-friendly and allows users to search for specific titles or browse through different categories. Another reliable platform for downloading Statics Mechanics Of Materials Hibbeler Solutions Manual free PDF files is Open Library. With its vast collection of over 1 million eBooks, Open Library has something for every reader. The website offers a seamless experience by providing options to borrow or download PDF files. Users simply need to create a free account to access this treasure trove of knowledge. Open Library also allows users to contribute by uploading and sharing their own PDF files, making it a collaborative platform for book enthusiasts. For those interested in academic resources, there are websites dedicated to providing free PDFs of research papers and scientific articles. One such website is Academia.edu, which allows researchers and scholars to share their work with a global audience. Users can download PDF files of research papers, theses, and dissertations covering a wide range of subjects. Academia.edu also provides a platform for discussions and networking within the academic community. When it comes to downloading Statics Mechanics Of Materials Hibbeler Solutions Manual free PDF files of magazines, brochures, and catalogs, Issuu is a popular choice. This digital publishing platform hosts a vast collection of publications from around the world. Users can search for specific titles or explore various categories and genres. Issuu offers a seamless reading experience with its user-friendly interface and allows users to download PDF files for offline reading. Apart from dedicated platforms, search engines also play a crucial role in finding free PDF files. Google, for instance, has an advanced search feature that allows users to filter results by file type. By specifying the file type as "PDF," users can find websites that offer free PDF downloads on a specific topic. While downloading Statics Mechanics Of Materials Hibbeler Solutions Manual free PDF files is convenient, its important to note that copyright laws

must be respected. Always ensure that the PDF files you download are legally available for free. Many authors and publishers voluntarily provide free PDF versions of their work, but it's essential to be cautious and verify the authenticity of the source before downloading Statics Mechanics Of Materials Hibbeler Solutions Manual. In conclusion, the internet offers numerous platforms and websites that allow users to download free PDF files legally. Whether it's classic literature, research papers, or magazines, there is something for everyone. The platforms mentioned in this article, such as Project Gutenberg, Open Library, Academia.edu, and Issuu, provide access to a vast collection of PDF files. However, users should always be cautious and verify the legality of the source before downloading Statics Mechanics Of Materials Hibbeler Solutions Manual any PDF files. With these platforms, the world of PDF downloads is just a click away.

FAQs About Statics Mechanics Of Materials Hibbeler Solutions Manual Books

How do I know which eBook platform is the best for me? Finding the best eBook platform depends on your reading preferences and device compatibility. Research different platforms, read user reviews, and explore their features before making a choice. Are free eBooks of good quality? Yes, many reputable platforms offer high-quality free eBooks, including classics and public domain works. However, make sure to verify the source to ensure the eBook's credibility. Can I read eBooks without an eReader? Absolutely! Most eBook platforms offer web-based readers or mobile apps that allow you to read eBooks on your computer, tablet, or smartphone. How do I avoid digital eye strain while reading eBooks? To prevent digital eye strain, take regular breaks, adjust the font size and background color, and ensure proper lighting while reading eBooks. What's the advantage of interactive eBooks? Interactive eBooks incorporate multimedia elements, quizzes, and activities, enhancing the reader's engagement and providing a more immersive learning experience. Statics Mechanics Of Materials Hibbeler Solutions Manual is one of the best books in our library for free trial. We provide a copy of Statics Mechanics Of Materials Hibbeler Solutions Manual in digital format, so the resources that you find are reliable. There are also many eBooks related to Statics Mechanics Of Materials Hibbeler Solutions Manual. Where to download Statics Mechanics Of Materials Hibbeler Solutions Manual online for free? Are you looking for Statics Mechanics Of Materials Hibbeler Solutions Manual PDF? This is definitely going to save you time and cash in something you should think about. If you're trying to find them, search around online. Without a doubt, there are numerous of these available, and many of them have the freedom. However, without a doubt, you receive whatever you purchase. An alternate way to get ideas is always to check another Statics Mechanics Of Materials Hibbeler Solutions Manual. This method for seeing exactly what may be included and adopting these ideas to your book. This site will almost certainly help you save time and effort, money, and stress. If you are looking for free books, then you really should consider finding to assist you try this. Several of Statics Mechanics Of Materials Hibbeler Solutions

Manual are for sale to free while some are payable. If you arent sure if the books you would like to download works with for usage along with your computer, it is possible to download free trials. The free guides make it easy for someone to free access online library for download books to your device. You can get free download on free trial for lots of books categories. Our library is the biggest of these that have literally hundreds of thousands of different products categories represented. You will also see that there are specific sites catered to different product types or categories, brands or niches related with Statics Mechanics Of Materials Hibbeler Solutions Manual. So depending on what exactly you are searching, you will be able to choose e books to suit your own need. Need to access completely for Campbell Biology Seventh Edition book? Access Ebook without any digging. And by having access to our ebook online or by storing it on your computer, you have convenient answers with Statics Mechanics Of Materials Hibbeler Solutions Manual To get started finding Statics Mechanics Of Materials Hibbeler Solutions Manual, you are right to find our website which has a comprehensive collection of books online. Our library is the biggest of these that have literally hundreds of thousands of different products represented. You will also see that there are specific sites catered to different categories or niches related with Statics Mechanics Of Materials Hibbeler Solutions Manual So depending on what exactly you are searching, you will be able to choose ebook to suit your own need. Thank you for reading Statics Mechanics Of Materials Hibbeler Solutions Manual. Maybe you have knowledge that, people have search numerous times for their favorite readings like this Statics Mechanics Of Materials Hibbeler Solutions Manual, but end up in harmful downloads. Rather than reading a good book with a cup of coffee in the afternoon, instead they juggled with some harmful bugs inside their laptop. Statics Mechanics Of Materials Hibbeler Solutions Manual is available in our book collection an online access to it is set as public so you can download it instantly. Our digital library spans in multiple locations, allowing you to get the most less latency time to download any of our books like this one. Merely said, Statics Mechanics Of Materials Hibbeler Solutions Manual is universally compatible with any devices to read.

Find Statics Mechanics Of Materials Hibbeler Solutions Manual :

torrent bmw 335d repair manual

[toro model 51625 manual](#)

[toro timecutter ss4235 manual](#)

[toro wheel horse c series manual](#)

[toshiba 32c110u manual](#)

[toshiba a200 maintenance manual](#)

[toro rainmaker manual](#)

[toploader manual transmission](#)

[toro lx420 18hp kohler lawn tractor shop manual](#)

[torn paper collage workshops 24](#)

toro groundsmaster 117 service manual

toronto canada vacation guide

toro lawn mower series 675 manual

toro 74360 service manual

[toro 1020 snowblower manual](#)

Statics Mechanics Of Materials Hibbeler Solutions Manual :

Pattern: Southern New England, NSW by PJ Smailes · 1965 · Cited by 19 — In southern New England, as elsewhere in south-eastern Australia, settlement was primitive and rudimentary in the earliest years of colonization: many ' ... The Evolution of an Australian Rural Settlement Pattern The Evolution of an Australian Rural Settlement Pattern: Southern New England, N.S.W.. Authors, P. J. Smailes, J. K. Molyneux. Edition, reprint. Publisher ... The Evolution of an Australian Rural Settlement Pattern THIS PAPER is concerned with the evolution of a rural settlement pattern in a relatively recently settled area of eastern Australia: namely, the southern ... (PDF) The Evolution of an Australian Rural Settlement Pattern TL;DR: In this paper, the Southern New England region of New South Wales has been studied, and four major periods of settlement are distinguished: 1832 to ... 2023-05-03 1/2 the evolution of an australian rural settlement ... May 3, 2023 — Eventually, the evolution of an australian rural settlement pattern southern new england will very discover a supplementary experience and ... Reading free The evolution of an australian rural settlement ... Yeah, reviewing a ebook the evolution of an australian rural settlement pattern southern new england could build up your near contacts listings. Settlement patterns - Australia Australia has not yielded readily to development by Europeans. Even on the relatively favoured eastern periphery, the first European settlers were perplexed by ... A New Spatial Criteria Method to Delimit Rural Settlements ... by V Barbosa · 2022 · Cited by 4 — The evolution of an Australian rural settlement pattern: Southern New England, NSW. Trans. Inst. Br. Geogr. 1965, 36, 31-54. [Google Scholar] [CrossRef] ... Geospatial characterization of rural settlements and ... by Y Liu · 2022 · Cited by 8 — These studies, focused on the spatial distribution of traditional villages or small-scale rural settlements at local scale, e.g., at county ... Water Reuse: Issues, Technologies, and Applications In-depth coverage of the theory and application of water reuse. Written by a team of world-renowned experts commissioned by Metcalf & Eddy, Water Reuse ... Water Reuse: Issues, Technologies, and Applications This landmark textbook presents an integrated approach to all aspects of water reuse _ from public health protection to water quality criteria and regulations ... Water Reuse: Issues, Technologies, and Applications ... This landmark textbook presents an integrated approach to all aspects of water reuse _ from public health

protection to water quality criteria and regulations ... Water Reuse : Issues, Technologies, and Applications This landmark textbook presents an integrated approach to all aspects of water reuse _ from public health protection to water quality criteria and regulations ... Water reuse: issues, technologies and applications Jul 5, 2016 — Water reuse: issues, technologies and applications ; unepmap.descriptors, Water reuse, Irrigation, Sewage, Wastewater treatment ; unepmap. (PDF) Water Reuse Issues, Technologies, and Applications The contribution of water reuse (WR) would be great in the humankind's water tomorrow. This review aims to discuss the growing WR technology as a future ... Water Reuse: Issues, Technologies, and Applications Water Reuse: Issues, Technologies, and Applications equips water/wastewater students, engineers, scientists, and professionals with a definitive account of the ... Water Reuse: Issues, Technologies, and Applications This book equips water/wastewater students, engineers, scientists, and professionals with a definitive account of water reclamation, recycling, and reuse ... (PDF) Water Reuse: Issues, Technologies, and Applications May 30, 2016 — Current Situation and Prospect of Reclaimed Water Reuse ... The paper summarized current situation and treatment technology of the reclaimed water ... Water Reuse: Issues, Technologies, and Applications Water Reuse: Issues, Technologies, and Applications is a landmark textbook that presents an integrated approach to all aspects of water reuse. Bead Jewelry 101: Master Basic Skills and... by Mitchell, ... Bead Jewelry 101 is an all-in-one essential resource for making beaded jewelry. This complete entry-level course includes 30 step-by-step projects that ... Intro to Beading 101: Getting Started with Jewelry Making This video series introduces some jewelry terms that are essential to know, and will teach you some fundamental skills necessary for basic jewelry making. Beading Jewelry 101 Beading jewelry for beginners at home starts with three jewelry tools and two techniques and a step by step guide for making earrings, necklaces and ... How to Make Beaded Jewelry 101: Beginner's Guide First, you will want to gather all of your beading materials. Make sure to have materials for the job: beading thread, beads, super glues, wire cutters, crimp ... Bead Jewelry 101 This complete entry-level course includes 30 step-by-step projects that demonstrate fundamental methods for stringing, wire work, and more. Begin your jewelry ... Beading 101: How to Get Started Making Jewelry Jan 14, 2019 — There are many benefits to learning how to make your own jewelry. First and foremost, it is fun! Making jewelry is a hobby that allows you ... Bead Jewelry 101: Master Basic Skills and Techniques ... Bead Jewelry 101 is an all-in-one essential resource for making beaded jewelry. This complete entry-level course includes 30 step-by-step projects that ... Online Class: Bead Stringing 101: Learn How To Make a ...