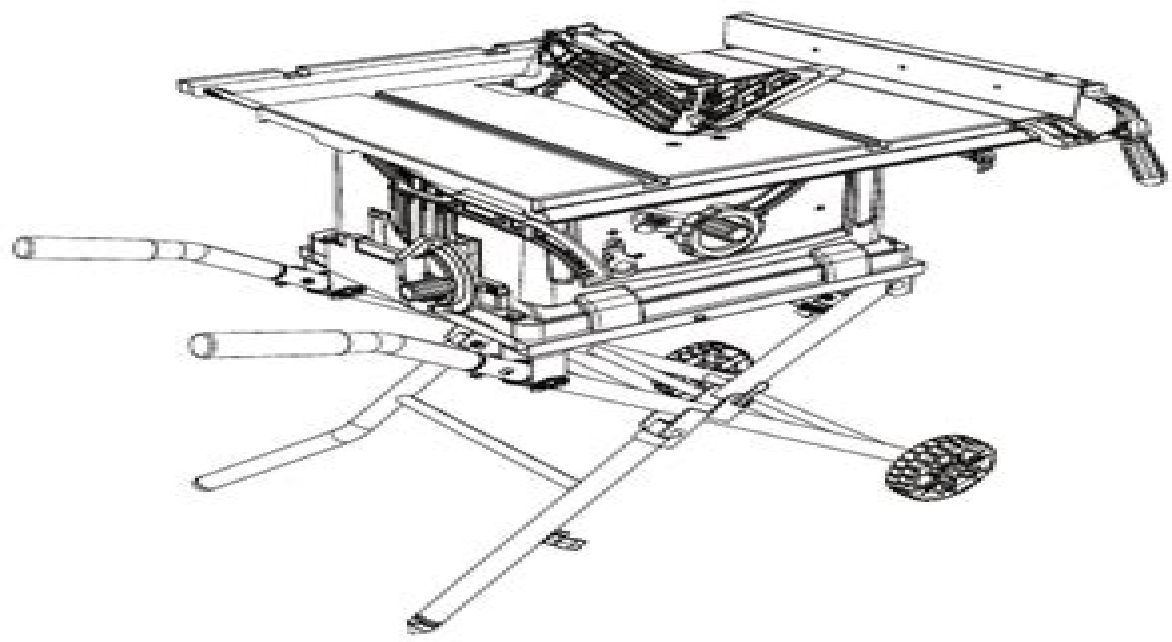


CRAFTSMAN



Startrite Table Saw User Manual

Surplus Record



Startrite Table Saw User Manual:

The Complete Manual of Woodworking Albert Jackson, David Day, 1996-12-03 Designed to instruct and inspire every woodworker from the beginner to the most exacting expert this authoritative guide is a must have classic in the world of woodworking With more than 1 800 drawings diagrams and photos The Complete Manual of Woodworking encompasses the whole art and craft of woodworking Includes a discussion of all the principal hardwoods and softwoods how to choose and use hand tools detailed information on every woodworking technique jointing bonding fastening laminating and much more

Machinery ,1961 **Wood & Wood Products** ,1987 *Taunton's Complete Illustrated Guide to Turning* Richard Raffan, 2005 Taunton's Complete Illustrated Guide to Turning features step by step descriptions for an abundance of wood turning techniques including both spindle and faceplate methods Over 900 color photos accompany detailed hands on instructions for turning wood including how to use lathes turning tools and materials chucks as well as sharpening tools

School Shop ,1985 Machinery and Production Engineering ,1970 **Encyclopedia of Furniture Making** Ernest Joyce, Alan Peters, Patrick Spielman, 1987 An illustrated reference guide to furniture making including material characteristics and properties necessary equipment techniques and tips on component construction veneering marquetry and inlaying

Woodworking from Offcuts Derek Jones, 2016-12-12 This book features enticing projects that will show you what to do with the collection of offcuts in your workshop Ranging from a simple serving platter to a beautiful bird box there is a project to suit every level of expertise **November 2022 - Surplus Record Machinery & Equipment Directory** Surplus

Record, 2022-11-01 SURPLUS RECORD is the leading independent business directory of new and used capital equipment machine tools machinery and industrial equipment listing over 95 000 industrial assets including metalworking and fabricating machine tools chemical and process equipment cranes air compressors pumps motors circuit breakers generators transformers turbines and more Over 1 100 businesses list with the SURPLUS RECORD November 2022 issue Vol 99 No 11

June 2022 - Surplus Record Machinery & Equipment Directory Surplus Record, 2022-06-01 SURPLUS RECORD is the leading independent business directory of new and used capital equipment machine tools machinery and industrial equipment listing over 95 000 industrial assets including metalworking and fabricating machine tools chemical and process equipment cranes air compressors pumps motors circuit breakers generators transformers turbines and more Over 1 100 businesses list with the SURPLUS RECORD June 2022 issue Vol 99 No 6

English Mechanics ,1954 Timber Trades Journal and Woodworking Machinery ,1974 *British Plastics and Moulded Products Trader* ,1957 **August 2023 -**

Surplus Record Machinery & Equipment Directory Tom Scanlan, SURPLUS RECORD is the leading independent business directory of new and used capital equipment machine tools machinery and industrial equipment listing over 110 000 industrial assets since 1924 including metalworking and fabricating machine tools lathes cnc equipment machine centers woodworking equipment food equipment chemical and process equipment cranes air compressors pumps motors circuit

breakers generators transformers turbines and more Over 1 100 businesses list with the SURPLUS RECORD August 2023 issue Vol 100 No 8 The Foundryman ,2001 Timber Trades Journal & Wood Processing ,1988 **Industrial Power and Mass Production** ,1962 *September 2022 - Surplus Record Machinery & Equipment Directory* Surplus Record,2022-09-01 SURPLUS RECORD is the leading independent business directory of new and used capital equipment machine tools machinery and industrial equipment listing over 95 000 industrial assets including metalworking and fabricating machine tools chemical and process equipment cranes air compressors pumps motors circuit breakers generators transformers turbines and more Over 1 100 businesses list with the SURPLUS RECORD September 2022 issue Vol 99 No 9

June 2023 - Surplus Record Machinery & Equipment Directory Tom Scanlan, SURPLUS RECORD is the leading independent business directory of new and used capital equipment machine tools machinery and industrial equipment listing over 110 000 industrial assets since 1924 including metalworking and fabricating machine tools lathes cnc equipment machine centers woodworking equipment food equipment chemical and process equipment cranes air compressors pumps motors circuit breakers generators transformers turbines and more Over 1 100 businesses list with the SURPLUS RECORD June 2023 issue Vol 100 No 6 **Industrial Equipment News** ,1974

Uncover the mysteries within Crafted by is enigmatic creation, Discover the Intrigue in **Startrite Table Saw User Manual** . This downloadable ebook, shrouded in suspense, is available in a PDF format (PDF Size: *). Dive into a world of uncertainty and anticipation. Download now to unravel the secrets hidden within the pages.

http://www.frostbox.com/book/detail/index.jsp/Witch_Season_2_Winter_Amp_Spring_Jeffrey_J_Mariotte.pdf

Table of Contents Startrite Table Saw User Manual

1. Understanding the eBook Startrite Table Saw User Manual
 - The Rise of Digital Reading Startrite Table Saw User Manual
 - Advantages of eBooks Over Traditional Books
2. Identifying Startrite Table Saw User Manual
 - Exploring Different Genres
 - Considering Fiction vs. Non-Fiction
 - Determining Your Reading Goals
3. Choosing the Right eBook Platform
 - Popular eBook Platforms
 - Features to Look for in an Startrite Table Saw User Manual
 - User-Friendly Interface
4. Exploring eBook Recommendations from Startrite Table Saw User Manual
 - Personalized Recommendations
 - Startrite Table Saw User Manual User Reviews and Ratings
 - Startrite Table Saw User Manual and Bestseller Lists
5. Accessing Startrite Table Saw User Manual Free and Paid eBooks
 - Startrite Table Saw User Manual Public Domain eBooks
 - Startrite Table Saw User Manual eBook Subscription Services
 - Startrite Table Saw User Manual Budget-Friendly Options
6. Navigating Startrite Table Saw User Manual eBook Formats

- ePub, PDF, MOBI, and More
- Startrite Table Saw User Manual Compatibility with Devices
- Startrite Table Saw User Manual Enhanced eBook Features
- 7. Enhancing Your Reading Experience
 - Adjustable Fonts and Text Sizes of Startrite Table Saw User Manual
 - Highlighting and Note-Taking Startrite Table Saw User Manual
 - Interactive Elements Startrite Table Saw User Manual
- 8. Staying Engaged with Startrite Table Saw User Manual
 - Joining Online Reading Communities
 - Participating in Virtual Book Clubs
 - Following Authors and Publishers Startrite Table Saw User Manual
- 9. Balancing eBooks and Physical Books Startrite Table Saw User Manual
 - Benefits of a Digital Library
 - Creating a Diverse Reading Collection Startrite Table Saw User Manual
- 10. Overcoming Reading Challenges
 - Dealing with Digital Eye Strain
 - Minimizing Distractions
 - Managing Screen Time
- 11. Cultivating a Reading Routine Startrite Table Saw User Manual
 - Setting Reading Goals Startrite Table Saw User Manual
 - Carving Out Dedicated Reading Time
- 12. Sourcing Reliable Information of Startrite Table Saw User Manual
 - Fact-Checking eBook Content of Startrite Table Saw User Manual
 - Distinguishing Credible Sources
- 13. Promoting Lifelong Learning
 - Utilizing eBooks for Skill Development
 - Exploring Educational eBooks
- 14. Embracing eBook Trends
 - Integration of Multimedia Elements
 - Interactive and Gamified eBooks

Startrite Table Saw User Manual Introduction

In today's digital age, the availability of Startrite Table Saw User Manual books and manuals for download has revolutionized the way we access information. Gone are the days of physically flipping through pages and carrying heavy textbooks or manuals. With just a few clicks, we can now access a wealth of knowledge from the comfort of our own homes or on the go. This article will explore the advantages of Startrite Table Saw User Manual books and manuals for download, along with some popular platforms that offer these resources. One of the significant advantages of Startrite Table Saw User Manual books and manuals for download is the cost-saving aspect. Traditional books and manuals can be costly, especially if you need to purchase several of them for educational or professional purposes. By accessing Startrite Table Saw User Manual versions, you eliminate the need to spend money on physical copies. This not only saves you money but also reduces the environmental impact associated with book production and transportation. Furthermore, Startrite Table Saw User Manual books and manuals for download are incredibly convenient. With just a computer or smartphone and an internet connection, you can access a vast library of resources on any subject imaginable. Whether you're a student looking for textbooks, a professional seeking industry-specific manuals, or someone interested in self-improvement, these digital resources provide an efficient and accessible means of acquiring knowledge. Moreover, PDF books and manuals offer a range of benefits compared to other digital formats. PDF files are designed to retain their formatting regardless of the device used to open them. This ensures that the content appears exactly as intended by the author, with no loss of formatting or missing graphics. Additionally, PDF files can be easily annotated, bookmarked, and searched for specific terms, making them highly practical for studying or referencing. When it comes to accessing Startrite Table Saw User Manual books and manuals, several platforms offer an extensive collection of resources. One such platform is Project Gutenberg, a nonprofit organization that provides over 60,000 free eBooks. These books are primarily in the public domain, meaning they can be freely distributed and downloaded. Project Gutenberg offers a wide range of classic literature, making it an excellent resource for literature enthusiasts. Another popular platform for Startrite Table Saw User Manual books and manuals is Open Library. Open Library is an initiative of the Internet Archive, a non-profit organization dedicated to digitizing cultural artifacts and making them accessible to the public. Open Library hosts millions of books, including both public domain works and contemporary titles. It also allows users to borrow digital copies of certain books for a limited period, similar to a library lending system. Additionally, many universities and educational institutions have their own digital libraries that provide free access to PDF books and manuals. These libraries often offer academic texts, research papers, and technical manuals, making them invaluable resources for students and researchers. Some notable examples include MIT OpenCourseWare, which offers free access to course materials from the Massachusetts Institute of Technology, and the Digital Public Library of America, which provides a vast collection of digitized books and historical documents. In conclusion, Startrite Table Saw User Manual books

and manuals for download have transformed the way we access information. They provide a cost-effective and convenient means of acquiring knowledge, offering the ability to access a vast library of resources at our fingertips. With platforms like Project Gutenberg, Open Library, and various digital libraries offered by educational institutions, we have access to an ever-expanding collection of books and manuals. Whether for educational, professional, or personal purposes, these digital resources serve as valuable tools for continuous learning and self-improvement. So why not take advantage of the vast world of Startrite Table Saw User Manual books and manuals for download and embark on your journey of knowledge?

FAQs About Startrite Table Saw User Manual Books

1. Where can I buy Startrite Table Saw User Manual books? Bookstores: Physical bookstores like Barnes & Noble, Waterstones, and independent local stores. Online Retailers: Amazon, Book Depository, and various online bookstores offer a wide range of books in physical and digital formats.
2. What are the different book formats available? Hardcover: Sturdy and durable, usually more expensive. Paperback: Cheaper, lighter, and more portable than hardcovers. E-books: Digital books available for e-readers like Kindle or software like Apple Books, Kindle, and Google Play Books.
3. How do I choose a Startrite Table Saw User Manual book to read? Genres: Consider the genre you enjoy (fiction, non-fiction, mystery, sci-fi, etc.). Recommendations: Ask friends, join book clubs, or explore online reviews and recommendations. Author: If you like a particular author, you might enjoy more of their work.
4. How do I take care of Startrite Table Saw User Manual books? Storage: Keep them away from direct sunlight and in a dry environment. Handling: Avoid folding pages, use bookmarks, and handle them with clean hands. Cleaning: Gently dust the covers and pages occasionally.
5. Can I borrow books without buying them? Public Libraries: Local libraries offer a wide range of books for borrowing. Book Swaps: Community book exchanges or online platforms where people exchange books.
6. How can I track my reading progress or manage my book collection? Book Tracking Apps: Goodreads, LibraryThing, and Book Catalogue are popular apps for tracking your reading progress and managing book collections. Spreadsheets: You can create your own spreadsheet to track books read, ratings, and other details.
7. What are Startrite Table Saw User Manual audiobooks, and where can I find them? Audiobooks: Audio recordings of books, perfect for listening while commuting or multitasking. Platforms: Audible, LibriVox, and Google Play Books offer a wide selection of audiobooks.

8. How do I support authors or the book industry? Buy Books: Purchase books from authors or independent bookstores. Reviews: Leave reviews on platforms like Goodreads or Amazon. Promotion: Share your favorite books on social media or recommend them to friends.
9. Are there book clubs or reading communities I can join? Local Clubs: Check for local book clubs in libraries or community centers. Online Communities: Platforms like Goodreads have virtual book clubs and discussion groups.
10. Can I read Startrite Table Saw User Manual books for free? Public Domain Books: Many classic books are available for free as they're in the public domain. Free E-books: Some websites offer free e-books legally, like Project Gutenberg or Open Library.

Find Startrite Table Saw User Manual :

[witch season 2 winter amp spring jeffrey j mariotte](#)

[wonders sound spelling cards](#)

[wiskunde geletterdheid graad11 memorandum v2 november](#)

[witch gate james clemens](#)

witches want a werewolf s seed

[wirtgen w2000 parts manual](#)

wks 13 8 vocabulary crossword puzzle 2 pages

[wjec mark schemes for reckitt benckiser paper](#)

[wiring for toyota corolla 1990](#)

wizard 14 42 riding mower manual

witchcraft works volume 2

[wiring harness hzj 79 series](#)

[withgott brennan environment study guide](#)

[wiskunde geletterdheid graad 11 inflasie](#)

[withnail and i bloomsbury film classics bruce robinson](#)

Startrite Table Saw User Manual :

[ethics integrity and aptitude in governance google books](#) - Feb 09 2023

web jan 17 2019 logically sequenced into seven sections that discuss ethics and human values ethics and public service

probity in governance challenges of effective governance corporate governance ethical issues in international relations and public funding and emotional intelligence and aptitude

ethics integrity and aptitude europeanmagazine - Apr 30 2022

web nov 25 2021 ethics integrity and aptitude issues are usually thought to be concerns of objective ethical and moral issues meaning that the correct and wrong remains in place and will never change for example an accepted moral and ethical position is that it is unjust to kill someone without motive regardless of the location or culture you re in

ethics integrity aptitude forumias - May 12 2023

web ethics integrity aptitude general studies paper iv for civil services examination red book table of content topic 1 ethics and human interface aptitude and attitude integrity understanding integrity integrity in public life case studies

ethics integrity and aptitude insightsias - Jul 14 2023

web aptitude and foundational values for civil services contributions of moral thinkers from india and the world western philosophy and indian philosophy related to ethics public or civil service values ethics in public administration ethical issues in international relations and funding corporate governance probity in governance

a practical approach to ethics integrity and aptitude ethics and - Jun 13 2023

web a practical approach to ethics integrity and aptitude ethics and human interface 2 attitude 3 aptitude and foundation values for civil services 4 emotional intelligence 5 public service values 6 probity in governance 7 theorizing ethics 8 ethics in governance 8 case studies ethical stories

overview ethics integrity and aptitude for upsc cse unacademy - Dec 27 2021

web enrol for upsc cse gs ethics integrity and aptitude for upsc cse conducted by awdhesh singh on unacademy the course is taught in english log in join for free

ethics course for upsc master ethics integrity and aptitude - Feb 26 2022

web integrity and aptitude develop the aptitude to tackle ethical issues with intellectual honesty and emotional intelligence ensuring integrity in your actions and decisions case studies and discussions engage in in depth discussions and analysis of real life ethical challenges encountered by civil servants using case studies from the indian

ethics integrity and aptitude m karthikeyan karthikeyan m - Dec 07 2022

web ethics integrity and aptitude m karthikeyan karthikeyan m download on z library 14 107 394 books

ethics notes which you shouldn t miss clearias - Jul 02 2022

web ethics integrity aptitude by g subba rao p n roy chowdhury click to buy from amazon ethics integrity and aptitude by awdhesh singh click to buy from amazon ethical dilemmas of a civil servant by anil swarup click to buy from amazon renu says [ethics integrity amp aptitude slideshare](#) - Oct 05 2022

web apr 6 2016 ethics integrity amp aptitude ethics integrity aptitude paper 4 ribhu vashishtha topic 1 introduction to ethics what is ethics ethics means character norms morals ideals prevailing in a group society may be referred to as some standardised form of conduct behaviour of individuals understood accepted in a

ethics integrity and aptitude mheducation co in - Mar 30 2022

web jul 30 2021 ethics integrity and aptitude 4th edition 9354600867 9789354600869 by m karthikeyan 2021 published july 30 2021 overviewethics integrity and aptitude fourth edition is conceived for the aspirants of the civil services mains examination general studies paper iv gs iv

best books for ethics integrity and aptitude byju s - Sep 04 2022

web ethics books for upsc 1 ethics integrity aptitude g subba rao p n roy chowdhury this book by access publishers is authored by two retired ias officers it contains many case studies and is a recommended book for beginners of the subject 2 lexicon for ethics integrity aptitude for ias general studies paper iv niraj kumar

ethics integrity aptitude gs4 free studymaterial mrunal - Aug 15 2023

web this paper will include questions to test the candidates attitude and approach to issues relating to integrity probity in public life and his problem solving approach to various issues and conflicts faced by him in dealing with society questions may utilise the case study approach to determine these aspects

ethics integrity and aptitude slideshare - Jan 08 2023

web ethics integrity and aptitude preface this book has been written in accordance with the course curriculum syllabus as prescribed by upsc for its general studies iv paper titled ethics integrity and aptitude simple vocabulary and common day to day language has been made use of in the book in order to provide a seamless reading and

ethics integrity aptitude made easy publications - Apr 11 2023

web 1 1ethic s integrity and aptitude introduction to ethics in just about every area of society there s nothing more important than ethics henry paulson ethics like other branches of philosophy originates from apparently simple questions what makes honest actions right and dishonest ones wrong whether i keep a purse

ethics integrity and aptitude google books - Jun 01 2022

web based on the prescribed upsc syllabus ethics integrity and aptitude authored by two serving indian information services iis officers gives a holistic perspective of the various ethical

ethics integrity and aptitude ebook google books - Mar 10 2023

web oct 15 2017 ethics integrity and aptitude 2e is meant for aspirants of the civil services mains examination general studies paper iv it comprehensively covers the syllabus and helps aspirants in in depth

comprehensive batch on ethics integrity and aptitude by atul garg - Jan 28 2022

web ethics integrity aptitude courses will be added soon note more courses will be added to each topic as the batch progresses 6 50 000 learners trust unacademy the new group feature is incredible kindly help iconic learners connect with students who have similar targets so they can use the group feature to keep motivated also please

ethics integrity and aptitude - Aug 03 2022

web generally the law is based on ethical standards because any law which is unethical arbitrary society may not accept or there will be a sense of rejection mostly ethics determines the law because ethics deals with human competence which can be better than legal competence so ethics guide laws to become inclusive and

ethics integrity and aptitude 4 e amazon in - Nov 06 2022

web buy ethics integrity and aptitude 4 e book online at low prices in india ethics integrity and aptitude 4 e reviews ratings amazon in books exam preparation exams by upsc buy new 461 00 m r p 590 00 save 129 00 22 inclusive of all taxes free delivery saturday 29 july on your first order details

the eighty dollar champion plot summary imdb - Oct 24 2021

snowman the eighty dollar champion facebook - Feb 25 2022

the eighty dollar champion parents guide imdb - Dec 26 2021

the eighty dollar champion by elizabeth letts audible com - Jul 01 2022

web official site cast and crew producer john gatins screenwriter brenda herrold synopsis a a former plow horse goes on to win the triple crown in 1958

the eighty dollar champion elizabeth letts - Nov 05 2022

web dec 1 2020 by elizabeth letts release date dec 1 2020 a lovely telling of a lovely tale the enthralling tale of an unlikely champion delayed by a flat tire and a

the eighty dollar champion elizabeth letts google books - Dec 06 2022

web dec 1 2020 adapted from the 1 new york times bestselling adult novel this inspiring true story of a man and horse duo who rose to the top of the competitive equestrian

the eighty dollar champion snowman the horse that - May 11 2023

web jan 16 2020 xiv 329 p 25 cm the eighty dollar champion tells the dramatic odyssey of a horse called snowman saved from the slaughterhouse by a young dutch farmer

loading interface goodreads - Jan 27 2022

[the eighty dollar champion penguin random house](#) - Aug 14 2023

web aug 23 2011 reviews aren't verified but google checks for and removes fake content when it's identified 1 new york times bestseller the dramatic and inspiring

[amazon.com the eighty dollar champion snowman](#) - Mar 09 2023

web may 15 2014 the eighty dollar champion elizabeth letts google books harry de leyer first saw the horse he would name snowman on a truck bound for the

the eighty dollar champion the true story of a horse a man - Nov 24 2021

the eighty dollar champion adapted for young readers - Apr 29 2022

web the eighty dollar champion the true story of a horse a man and an unstoppable dream letts elizabeth amazon.com tr kitap

[the eighty dollar champion kirkus reviews](#) - Aug 02 2022

web adapted from the 1 new york times bestselling adult novel this inspiring true story of a man and horse duo who rose to the top of the competitive equestrian world is one of

the eighty dollar champion adapted for young readers the - Sep 03 2022

web aug 23 2011 a heartwarming story begging for the disney treatment two long shots a blue collar owner and his unlikely horse make it to the top of the equestrian world

[the eighty dollar champion adapted for young readers the](#) - Apr 10 2023

web apr 10 2012 old footage of snowman the cinderella horse with his trainer harry deleyer the eighty dollar champion snowman the horse that inspired a nation by

[the eighty dollar champion snowman the horse that inspired](#) - Oct 04 2022

web number one new york times best seller november 1958 the national horse show at madison square garden in new york city into the rarefied atmosphere of wealth and

the eighty dollar champion google books - Jun 12 2023

web dec 1 2020 adapted from the 1 new york times bestselling adult novel this inspiring true story of a man and horse duo who rose to the top of the competitive equestrian

[the eighty dollar champion 2016 pictures trailer reviews](#) - Mar 29 2022

web the eighty dollar champion on imdb plot summary synopsis and more menu movies release calendar top 250 movies most popular movies browse movies by genre top

[the eighty dollar champion kirkus reviews](#) - May 31 2022

web the eighty dollar champion parents guide and certifications from around the world menu movies release calendar top 250 movies most popular movies browse movies by

the eighty dollar champion snowman the horse that - Jul 13 2023

web aug 23 2011 the eighty dollar champion snowman the horse that inspired a nation kindle edition by letts elizabeth download it once and read it on your kindle device

the eighty dollar champion youtube - Jan 07 2023

web may 29 2012 overview 1 new york times bestseller the dramatic and inspiring story of a man and his horse an unlikely duo whose rise to stardom in the sport of show

the eighty dollar champion snowman the horse that inspired a - Feb 08 2023

web the eighty dollar champion for young readers my blue ribbon horse news folder book clubs back join the circle of readers learn more about annie s america media

amazon com customer reviews was wir an dir lieben die geschichte - Aug 28 2022

web find helpful customer reviews and review ratings for was wir an dir lieben die geschichte deines lebens at amazon com read honest and unbiased product reviews from our users

was wir an dir lieben die geschichte deines lebens eurobuch - Mar 03 2023

web was wir an dir lieben die geschichte deines lebens das erinnerungsalbum von der schwangerschaft bis zum 18 geburtstag finden sie alle bücher von reinwarth alexandra bei der büchersuchmaschine eurobuch com können sie antiquarische und neubücher vergleichen und sofort zum bestpreis bestellen 9783742304513

was wir an dir lieben die geschichte deines lebens alexandra - Mar 23 2022

web was wir an dir lieben die geschichte deines lebens alexandra reinwarth buch 2018 ebay titel was wir an dir lieben zusatz die geschichte deines lebens medium buch autor alexandra reinwarth einband gebunden sprache deutsch seiten 128 maße 246 x 195 x 22 mm erschienen 08 10 2018 anbieter buchbär hauptinhalt anzeigen

was wir an dir lieben die geschichte deines lebens das - Jun 25 2022

web für die kinder ist es eine zeit die sie für ihr leben prägt und an die sie immer zurückdenken werden was wir an dir lieben die geschichte deines lebens ist ein ganz besonderes erinnerungsalbum in dem eltern über 18 jahre hinweg ihre erlebnisse mit ihrem kind aufzeichnen können

was wir an dir lieben die geschichte deines leben - Apr 23 2022

web die geschichte meines lebens georg ebers 1893 was wir an dir lieben alexandra reinwarth 2018 07 09 liebe dein inneres kind in die heilung dr michelle haintz 2021 04 13 wünschst du dir heilung für dein verletztes inneres kind weil du erkannt hast wie enorm wichtig dieser wundervolle persönlichkeitsanteil ist und nun zugang

was wir an dir lieben die geschichte deines lebens medimops - Oct 30 2022

web oct 8 2018 für die kinder ist es eine zeit die sie für ihr leben prägt und an die sie immer zurückdenken werden was wir an dir leben die geschichte deines lebens ist ein ganz besonderes erinnerungsalbum in dem eltern über 18 jahre hinweg ihre erlebnisse mit ihrem kind aufzeichnen können

was wir an dir lieben die geschichte deines lebens - Jul 27 2022

web was wir an dir lieben die geschichte reinwarth alexandra buch buchzentrum der starke partner für handel und verlage umfassendes sortiment mit büchern spielen kalendern geschenken und mehr

was wir an dir lieben die geschichte deines lebens das - Oct 10 2023

web was wir an dir lieben die geschichte deines lebens das erinnerungsalbum von der schwangerschaft bis zum 18 geburtstag reinwarth alexandra isbn 9783742304513 kostenloser versand für alle bücher mit versand und verkauf duch amazon

amazon de kundenrezensionen was wir an dir lieben die geschichte - Jan 01 2023

web finde hilfreiche kundenrezensionen und rezensionsbewertungen für was wir an dir lieben die geschichte deines lebens das erinnerungsalbum von der schwangerschaft bis zum 18 geburtstag auf amazon de lese ehrliche und unvoreingenommene rezensionen von unseren nutzern

was ich an dir liebe die offizielle fanpage zur riva kultserie - Feb 19 2022

web was ich an dir liebe die offizielle fanpage zur riva kultserie liebeserklärung zum ausfüllen und verschenken dieses ausfüllbuch offenbart auf einen blick warum zwei menschen in liebe verbunden sind in dem buch werden tiefgründige witzige und emotionale fragen oder denkaufträge gestellt die alle nur ein ziel haben die liebe

was wir an dir lieben die geschichte deines lebens thalia - Aug 08 2023

web für die kinder ist es eine zeit die sie für ihr leben prägt und an die sie immer zurückdenken werden was wir an dir lieben die geschichte deines lebens ist ein ganz besonderes erinnerungsalbum in dem eltern über 18 jahre hinweg ihre erlebnisse mit ihrem kind aufzeichnen können

was wir an dir lieben die geschichte deines lebens - Sep 28 2022

web buch 2018 was wir an dir lieben die geschichte deines leb von reinwarth 9783742304513 portofrei und schnelle lieferung

was wir an dir lieben die geschichte deines lebens - May 25 2022

web das erste lächeln der erste zahn der erste schultag und irgendwann der erste liebeskummer ein kind großzuziehen ist eine der schönsten herausforderungen des lebens

was ich an dir liebe m vg de - Nov 30 2022

web die geschichte deines lebens was wir an dir lieben alexandra reinwarth des titels was wir an dir lieben isbn 978 3 7423 0451 3 2018 by riva verlag münchen

was wir an dir lieben die geschichte deines lebens das - Sep 09 2023

web was wir an dir lieben die geschichte deines lebens das erinnerungsalbum von der schwangerschaft bis zum 18 geburtstag reinwarth alexandra amazon com tr kitap

was wir an dir lieben die geschichte deines lebens das - Jul 07 2023

web was wir an dir lieben die geschichte deines lebens das erinnerungsalbum von der schwangerschaft bis zum 18 geburtstag reinwarth alexandra amazon de books

was wir an dir lieben die geschichte deines lebens weltbild - May 05 2023

web bücher bei weltbild jetzt was wir an dir lieben die geschichte deines lebens von alexandra reinwarth versandkostenfrei bestellen bei weltbild ihrem bücher spezialisten versandkostenfrei ab 29 bücher ab 5

was wir an dir lieben die geschichte deines lebens - Jun 06 2023

web oct 8 2018 für die kinder ist es eine zeit die sie für ihr leben prägt und an die sie immer zurückdenken werden was wir an dir lieben die geschichte deines lebens ist ein ganz besonderes erinnerungsalbum in dem eltern über 18 jahre hinweg ihre erlebnisse mit ihrem kind aufzeichnen können

was wir an dir lieben die geschichte deines lebens - Apr 04 2023

web für die kinder ist es eine zeit die sie für ihr leben prägt und an die sie immer zurückdenken werden was wir an dir lieben die geschichte deines lebens ist ein ganz besonderes erinnerungsalbum in dem eltern über 18 jahre hinweg ihre erlebnisse mit ihrem kind aufzeichnen können

was wir an dir lieben die geschichte deines lebens - Feb 02 2023

web was wir an dir lieben die geschichte deines lebens das erinnerungsalbum von der schwangerschaft bis zum 18 geburtstag erinnerungsalbum reinwarth alexandra isbn 9783742304513