

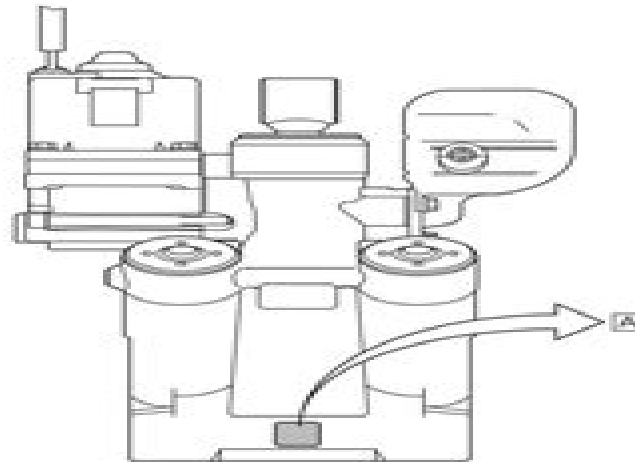


64E type power trim and tilt unit

The 64E type clamp bracket and power trim and tilt unit used for current V4 and V6 outboard motors have been adopted.

This allows easier interchanging of Yamaha outboards with the same classification because the mounting dimensions are the same.

For the power trim and tilt unit, only the impact absorber valve opening pressure of the tilt piston fluid circuit has been changed. The pressure is distinguished from those of other models by an identification mark stamped on the power trim and tilt unit.



563P1150

[A]

Identification mark	Applicable models
YA	Carbureted V4 and V6 (2.6)
YB	N/A
YC	Electronic fuel injected V6 (2.6), HPDI (2.6), VX200 (200H), VX225 (225G), and VX250 (250C)
YD	F115 (F115A), LF115 (FL115A), and (F100B)
YE	VZ225 (Z225H) and VZ250 (Z250F)
YF	F150 (F150A) and LF150 (FL150A)

Yamaha F150txrd Outboard Service Manual

Wolfgang Guggemos



Yamaha F150txrd Outboard Service Manual:

Service Manual ,197? **Yamaha Outboard Motor, Model P-165** ,1972* **Yamaha Outboard** Joan

Coles,Clarence W. Coles,1998-03 SELOC Marine maintenance and repair manuals offer the most comprehensive authoritative information available for outboard inboard stern drive and diesel engines as well as personal watercraft SELOC has been the leading source of how to information for the marine industry since 1974 Designed and written to serve the needs of the professional mechanic do it yourself boat enthusiast instructor and student these manuals are based on actual teardowns done by Chilton Marine s editors authors in our on site facility Providing complete coverage on everything from basic maintenance to engine overhaul every manual features Simple to follow step by step illustrated procedures Hundreds of exploded drawings photographs and tables Troubleshooting sections accurate specifications and wiring diagrams Recognized and used by technical trade schools as well as the U S military Covers all 115 225 Hp V4 and V6 2 stroke models Also includes advanced oil injection and counter rotating drive Nearly 750 illustrations *Seloc Yamaha Outboards* Seloc,2004 1701 Covers all 2 250 hp 1 4 cylinder V4 and V6 models 2 stroke and 4 stroke models includes jet drives

Seloc's Yamaha Outboard Joan Coles,Clarence W. Coles,1987 **Outboard Motor Service Vol 2 Ed 11** Penton

Staff,2000-05-24 Vintage marine outboard motors 30 horsepower and above produced from 1969 1989 **Yamaha 115A/140A** ,1983 **Yamaha Outboards, 1997-09 Repair Manual** ,2009 Yamaha Personal Watercraft 2002-11 Repair Manual Seloc,2011 SELOC Marine tune up and repair manuals provide the most comprehensive authoritative information available for outboard inboard and stern drive engines as well as personal watercraft SELOC has been the leading source of how to information for the marine industry since 1974 Designed and written to serve the needs of the professional mechanic do it yourself boat enthusiast instructor and student these manuals are based on actual teardowns done by Seloc s editors authors in our on site facility Every manual features Easy to follow step by step illustrated procedures Hundreds of exploded drawings photographs and tables Troubleshooting sections Accurate specifications and wiring diagrams Covers all engines and drive units including transmissions Includes carbureted and fuel injected engines Over 1 000 illustrations **Seloc Yamaha Outboards, 1997-03 Repair Manual, All 2-stroke Engines** ,2004 1703 **Seloc Yamaha 4-stroke Outboards 2005-10 Repair Manual** (Seloc) Seloc,2011 Covers all 2 5 350 HP 1 4 cylinder V6 and V8 4 stroke models Includes jet drives Wiring diagrams Cover *Yamaha Service Manual R5-B*. Yamaha Motor Co. Service Department,1971 **Old Outboard Motor Service Manual; Vol. 1, Covering Motors Below 30 Horsepower Prior to 1969** Old Outboard Motor Service Manual,1983 Yamaha 50 Service Manual Yamaha Motor Co,1960 **Outboard Two-Stroke and Four-Stroke Engine Repair Manual** Pasquale De Marco,2025-04-25 In the realm of outboard engines knowledge is the key to unlocking peak performance and ensuring smooth sailing Whether you re a seasoned boater or just starting out this comprehensive guide is your trusted companion on the water With crystal clear instructions and detailed

illustrations this book empowers you to Diagnose and rectify common outboard engine issues with ease saving you time money and frustration Maintain your outboard engine meticulously extending its lifespan and optimizing its performance Maximize the potential of your outboard engine unlocking hidden power and efficiency gains that transform your boating experience Navigate the waters safely and confidently with expert guidance on preventing accidents and ensuring your well being From the basics of outboard engine operation to advanced troubleshooting techniques this book is your trusted advisor empowering you to conquer any challenge that arises on the water Step by step instructions coupled with insightful explanations equip you with the skills and knowledge to maintain repair and enhance your outboard engine ensuring years of trouble free operation Whether you re looking to tackle DIY projects or simply expand your understanding of outboard engines this book is your indispensable resource With its comprehensive coverage and practical approach you ll become a more confident and capable boater ready to embark on unforgettable adventures Invest in this essential guide today and elevate your boating experience to new heights Let the open waters become your playground as you navigate them with confidence and expertise If you like this book write a review on google books

SELOC Yamaha Outboards Nichols / Seloc,1999 Covers all 2 250 HP 1 4 cylinder V4 and V6 2 stroke models Includes fuel injection and jet drives 1706
Yamaha Service Manual CS2E. Yamaha Motor Co. Service Division,197? Yamaha Combined Service Manual ,1972
Yamaha 50 Service Manual Yamaha International Corporation,196? **Yamaha FZ6 Service and Repair Manual**
Phil Mather,2008-01-01 FZ6 S SA Fazer 600cc 04 07 FZ6 N NA 600cc 04 07 FZ6 Fazer S2 600cc 07 08 FZ6 S2 600cc 07 08

Whispering the Techniques of Language: An Emotional Journey through **Yamaha F150txrd Outboard Service Manual**

In a digitally-driven earth where screens reign great and instant communication drowns out the subtleties of language, the profound techniques and mental subtleties concealed within words frequently go unheard. However, nestled within the pages of **Yamaha F150txrd Outboard Service Manual** a fascinating literary treasure sporting with raw feelings, lies a fantastic quest waiting to be undertaken. Written by a skilled wordsmith, this marvelous opus attracts visitors on an introspective trip, delicately unraveling the veiled truths and profound impact resonating within the very material of each and every word. Within the mental depths of the moving review, we will embark upon a honest exploration of the book is primary subjects, dissect their interesting publishing design, and fail to the powerful resonance it evokes deep within the recesses of readers hearts.

<http://www.frostbox.com/data/scholarship/index.jsp/un%20si%20beau%20jour%20bestsellers.pdf>

Table of Contents Yamaha F150txrd Outboard Service Manual

1. Understanding the eBook Yamaha F150txrd Outboard Service Manual
 - The Rise of Digital Reading Yamaha F150txrd Outboard Service Manual
 - Advantages of eBooks Over Traditional Books
2. Identifying Yamaha F150txrd Outboard Service Manual
 - Exploring Different Genres
 - Considering Fiction vs. Non-Fiction
 - Determining Your Reading Goals
3. Choosing the Right eBook Platform
 - Popular eBook Platforms
 - Features to Look for in an Yamaha F150txrd Outboard Service Manual
 - User-Friendly Interface
4. Exploring eBook Recommendations from Yamaha F150txrd Outboard Service Manual
 - Personalized Recommendations

- Yamaha F150txrd Outboard Service Manual User Reviews and Ratings
- Yamaha F150txrd Outboard Service Manual and Bestseller Lists
- 5. Accessing Yamaha F150txrd Outboard Service Manual Free and Paid eBooks
 - Yamaha F150txrd Outboard Service Manual Public Domain eBooks
 - Yamaha F150txrd Outboard Service Manual eBook Subscription Services
 - Yamaha F150txrd Outboard Service Manual Budget-Friendly Options
- 6. Navigating Yamaha F150txrd Outboard Service Manual eBook Formats
 - ePub, PDF, MOBI, and More
 - Yamaha F150txrd Outboard Service Manual Compatibility with Devices
 - Yamaha F150txrd Outboard Service Manual Enhanced eBook Features
- 7. Enhancing Your Reading Experience
 - Adjustable Fonts and Text Sizes of Yamaha F150txrd Outboard Service Manual
 - Highlighting and Note-Taking Yamaha F150txrd Outboard Service Manual
 - Interactive Elements Yamaha F150txrd Outboard Service Manual
- 8. Staying Engaged with Yamaha F150txrd Outboard Service Manual
 - Joining Online Reading Communities
 - Participating in Virtual Book Clubs
 - Following Authors and Publishers Yamaha F150txrd Outboard Service Manual
- 9. Balancing eBooks and Physical Books Yamaha F150txrd Outboard Service Manual
 - Benefits of a Digital Library
 - Creating a Diverse Reading Collection Yamaha F150txrd Outboard Service Manual
- 10. Overcoming Reading Challenges
 - Dealing with Digital Eye Strain
 - Minimizing Distractions
 - Managing Screen Time
- 11. Cultivating a Reading Routine Yamaha F150txrd Outboard Service Manual
 - Setting Reading Goals Yamaha F150txrd Outboard Service Manual
 - Carving Out Dedicated Reading Time
- 12. Sourcing Reliable Information of Yamaha F150txrd Outboard Service Manual
 - Fact-Checking eBook Content of Yamaha F150txrd Outboard Service Manual

- Distinguishing Credible Sources
- 13. Promoting Lifelong Learning
 - Utilizing eBooks for Skill Development
 - Exploring Educational eBooks
- 14. Embracing eBook Trends
 - Integration of Multimedia Elements
 - Interactive and Gamified eBooks

Yamaha F150txrd Outboard Service Manual Introduction

In today's digital age, the availability of Yamaha F150txrd Outboard Service Manual books and manuals for download has revolutionized the way we access information. Gone are the days of physically flipping through pages and carrying heavy textbooks or manuals. With just a few clicks, we can now access a wealth of knowledge from the comfort of our own homes or on the go. This article will explore the advantages of Yamaha F150txrd Outboard Service Manual books and manuals for download, along with some popular platforms that offer these resources. One of the significant advantages of Yamaha F150txrd Outboard Service Manual books and manuals for download is the cost-saving aspect. Traditional books and manuals can be costly, especially if you need to purchase several of them for educational or professional purposes. By accessing Yamaha F150txrd Outboard Service Manual versions, you eliminate the need to spend money on physical copies. This not only saves you money but also reduces the environmental impact associated with book production and transportation. Furthermore, Yamaha F150txrd Outboard Service Manual books and manuals for download are incredibly convenient. With just a computer or smartphone and an internet connection, you can access a vast library of resources on any subject imaginable. Whether you're a student looking for textbooks, a professional seeking industry-specific manuals, or someone interested in self-improvement, these digital resources provide an efficient and accessible means of acquiring knowledge. Moreover, PDF books and manuals offer a range of benefits compared to other digital formats. PDF files are designed to retain their formatting regardless of the device used to open them. This ensures that the content appears exactly as intended by the author, with no loss of formatting or missing graphics. Additionally, PDF files can be easily annotated, bookmarked, and searched for specific terms, making them highly practical for studying or referencing. When it comes to accessing Yamaha F150txrd Outboard Service Manual books and manuals, several platforms offer an extensive collection of resources. One such platform is Project Gutenberg, a nonprofit organization that provides over 60,000 free eBooks. These books are primarily in the public domain, meaning they can be freely distributed and downloaded. Project Gutenberg offers a wide range of classic literature, making it an excellent resource for literature enthusiasts. Another popular platform for Yamaha

F150txrd Outboard Service Manual books and manuals is Open Library. Open Library is an initiative of the Internet Archive, a non-profit organization dedicated to digitizing cultural artifacts and making them accessible to the public. Open Library hosts millions of books, including both public domain works and contemporary titles. It also allows users to borrow digital copies of certain books for a limited period, similar to a library lending system. Additionally, many universities and educational institutions have their own digital libraries that provide free access to PDF books and manuals. These libraries often offer academic texts, research papers, and technical manuals, making them invaluable resources for students and researchers. Some notable examples include MIT OpenCourseWare, which offers free access to course materials from the Massachusetts Institute of Technology, and the Digital Public Library of America, which provides a vast collection of digitized books and historical documents. In conclusion, Yamaha F150txrd Outboard Service Manual books and manuals for download have transformed the way we access information. They provide a cost-effective and convenient means of acquiring knowledge, offering the ability to access a vast library of resources at our fingertips. With platforms like Project Gutenberg, Open Library, and various digital libraries offered by educational institutions, we have access to an ever-expanding collection of books and manuals. Whether for educational, professional, or personal purposes, these digital resources serve as valuable tools for continuous learning and self-improvement. So why not take advantage of the vast world of Yamaha F150txrd Outboard Service Manual books and manuals for download and embark on your journey of knowledge?

FAQs About Yamaha F150txrd Outboard Service Manual Books

What is a Yamaha F150txrd Outboard Service Manual PDF? A PDF (Portable Document Format) is a file format developed by Adobe that preserves the layout and formatting of a document, regardless of the software, hardware, or operating system used to view or print it. **How do I create a Yamaha F150txrd Outboard Service Manual PDF?** There are several ways to create a PDF: Use software like Adobe Acrobat, Microsoft Word, or Google Docs, which often have built-in PDF creation tools. Print to PDF: Many applications and operating systems have a "Print to PDF" option that allows you to save a document as a PDF file instead of printing it on paper. Online converters: There are various online tools that can convert different file types to PDF. **How do I edit a Yamaha F150txrd Outboard Service Manual PDF?** Editing a PDF can be done with software like Adobe Acrobat, which allows direct editing of text, images, and other elements within the PDF. Some free tools, like PDFescape or Smallpdf, also offer basic editing capabilities. **How do I convert a Yamaha F150txrd Outboard Service Manual PDF to another file format?** There are multiple ways to convert a PDF to another format: Use online converters like Smallpdf, Zamzar, or Adobe Acrobats export feature to convert PDFs to formats like Word, Excel, JPEG, etc. Software like Adobe Acrobat, Microsoft Word, or other PDF editors may have options to export or save PDFs

in different formats. **How do I password-protect a Yamaha F150txrd Outboard Service Manual PDF?** Most PDF editing software allows you to add password protection. In Adobe Acrobat, for instance, you can go to "File" -> "Properties" -> "Security" to set a password to restrict access or editing capabilities. Are there any free alternatives to Adobe Acrobat for working with PDFs? Yes, there are many free alternatives for working with PDFs, such as: LibreOffice: Offers PDF editing features. PDFsam: Allows splitting, merging, and editing PDFs. Foxit Reader: Provides basic PDF viewing and editing capabilities. How do I compress a PDF file? You can use online tools like Smallpdf, ILovePDF, or desktop software like Adobe Acrobat to compress PDF files without significant quality loss. Compression reduces the file size, making it easier to share and download. Can I fill out forms in a PDF file? Yes, most PDF viewers/editors like Adobe Acrobat, Preview (on Mac), or various online tools allow you to fill out forms in PDF files by selecting text fields and entering information. Are there any restrictions when working with PDFs? Some PDFs might have restrictions set by their creator, such as password protection, editing restrictions, or print restrictions. Breaking these restrictions might require specific software or tools, which may or may not be legal depending on the circumstances and local laws.

Find Yamaha F150txrd Outboard Service Manual :

un si beau jour bestsellers

undone the amoveo legend 4 sara humphreys

un smpn 1kesamben

uniden bearcat scanner bc350a manual

uncanny xmen the extremists

uncertain glory english edition

~~understanding generalist practice sixth edition~~

une tourneacutée inhabituelle

undergraduate vaal university of technology

undermount drawer guide

une vie si convenable

un vent de cendres

~~une bregraveve incursion dans la ponctuation francceedilaise~~

~~une semaine de philosophie questions pour entrer en philosophie~~

understanding ford puma dashboard symbols

Yamaha F150txrd Outboard Service Manual :

doc cours lexicologie et lexicographie academia edu - Jan 10 2023

web a rey la lexicologie lectures arbitraire et motivation des signes lexicaux le principe d arbitraire c est le principe de base qui définit selon saussure le signe linguistique

la lexicologie 2e a c dition pdf usa tgifridays - Feb 28 2022

web la lexicologie 2e a c dition la lexicologie 2e a c dition 2 downloaded from usa tgifridays com on 2022 05 05 by guest practice of south african lexicography is

la lexicologie 2e a c dition pdf wrbb neu - Oct 27 2021

web 2 la lexicologie 2e a c dition 2022 06 19 pratiques langagières servent tout à la fois à révéler et à construire des espaces sociaux la linguistique impliquée considère la

la lexicologie 2e a c dition pdf 50storiesfortomorrow ilfu - Jun 03 2022

web la lexicologie 2e a c dition book review unveiling the magic of language in a digital era where connections and knowledge reign supreme the enchanting power of language

bobo dioulasso la 2e édition du tournoi de razball - Nov 27 2021

web 9 hours ago renforcement de la cohésion sociale entre acteurs de la chaîne pénale c est sous ce thème que se tient la présente édition la 2e édition du tournoi razball

la lexicologie 2e édition aïno niklas salminen actualité - Feb 11 2023

web mar 18 2015 il analyse aussi les unités lexicales au niveau sémantique ainsi que les relations qui existent entre le lexique et la syntaxe la lexicologie 2e édition aïno

la lexicologie 2e édition hachette fr - Mar 12 2023

web la lexicologie étudie les unités lexicales d une langue ce manuel pédagogique a pour but de mettre en évidence les différents domaines de la lexicologie et de fournir ainsi les

la lexicologie 2e a c dition pdf emidproxy vaccination gov - Jan 30 2022

web reviewing la lexicologie 2e a c dition unlocking the spellbinding force of linguistics in a fast paced world fueled by information and interconnectivity the spellbinding force of

la lexicologie 2e édition aïno niklas salminen google books - Sep 18 2023

web mar 18 2015 bibtex endnote refman la lexicologie étudie les unités lexicales d une langue ce manuel pédagogique a pour but de mettre en évidence les différents

la lexicologie 2e édition aïno niklas salminen google books - Aug 17 2023

web il se propose dans un premier temps de présenter les notions fondamentales utilisées en lexicologie il s intéresse ensuite

à l'analyse morphologique des unités lexicales en

la lexicologie 2e édition by aino niklas salminen - Nov 08 2022

web la lexicologie étudie les unités lexicales d'une langue ce manuel pédagogique a pour but de mettre en évidence les différents domaines de la lexicologie et de fournir ainsi les

camembert et cabestan une compétition et des dégustations - Dec 29 2021

web 7 hours ago ce week end avait lieu la 2e édition de camembert et cabestan au programme du festival culinaire des ateliers des dégustations et une compétition c'est

la lexicologie 2e a c dition full pdf wrbb neu - Sep 06 2022

web la lexicologie 2e a c dition is available in our book collection an online access to it is set as public so you can download it instantly our book servers spans in multiple countries

la lexicologie 2e édition aino niklas salminen cultura - Dec 09 2022

web la lexicologie 2e édition par aino niklas salminen aux éditions armand colin la lexicologie étudie les unités lexicales d'une langue ce manuel pédagogique a pour but

la lexicologie 2e édition dunod - Oct 19 2023

web la lexicologie qui étudie les unités lexicales d'une langue est une science relativement récente ses méthodes sont l'objet de constantes discussions et les résultats encore partiels dans un sens restreint la lexicologie est considérée comme une branche de la

la lexicologie 2e a c dition pdf book isandjules.com - May 14 2023

web may 13 2023 every books collections la lexicologie 2e a c dition that we will categorically offer it is not something like the costs its about what you need currently this la

la lexicologie 2e a c dition pdf wrbb neu - Jul 16 2023

web située un ensemble de repères méthodologiques en lien avec les usages et les outils d'exploration de corpus les plus mobilisés dans le champ linguistique français il

la lexicologie 2e a c dition maria teresa cabré - Oct 07 2022

web for their favorite books in the manner of this la lexicologie 2e a c dition but end stirring in harmful downloads rather than enjoying a fine book subsequent to a mug of coffee in

la lexicologie 2e a c dition charlotte taylor pdf - Apr 13 2023

web la lexicologie 2e a c dition when people should go to the ebook stores search initiation by shop shelf by shelf it is really problematic this is why we offer the ebook

la lexicologie 2e a c dition headandneckcancerguide - Aug 05 2022

web la lexicologie étudie les unités lexicales d'une langue ce manuel pédagogique a pour but de mettre en évidence les différents domaines de la lexicologie et de fournir ainsi les

la lexicologie 2e a c dition copy pantera adecco - Jun 15 2023

web la lexicologie 2e a c dition downloaded from pantera adecco com by guest elle mooney lexical conflict peeters publishers l'intégration de tous à la vie de la cité à

n boutmgharine idyassner lexicologie l3 lea semestre 5 - Jul 04 2022

web pour commencer l'année présentation najet boutmgharine univ paris diderot fr cours de lexicologie cette année 12h sur le semestre 1 présence obligatoire modalités de

la lexicologie 2e a c dition sebastian knospe download only - Apr 01 2022

web apr 8 2023 il propose un bilan des études en sociolinguistique historique et entend cerner les enjeux et les implications de cette discipline émergente il allie des chapitres axés

la lexicologie 2e a c dition copy support old xes inc - Sep 25 2021

web those all we meet the expense of la lexicologie 2e a c dition and numerous ebook collections from fictions to scientific research in any way among them is this la

la différence entre lexicologie et lexicographie wikidifference - May 02 2022

web la différence entre lexicologie et lexicographie est que lexicologie est partie de la linguistique qui s'occupe des mots considérés par rapport à leur valeur à leurs

[kat kerr pub hesston klm live leads list](#) - Jun 04 2022

this kat kerr pub hesston klm as one of the greater part functioning sellers here will entirely be accompanied by the best possibilities to review if you enterprise to retrieve and set up the kat kerr pub hesston klm it is entirely plain then now we extend the associate to buy and create bargains to download and configure kat kerr pub

kat kerr pub hesston klm dashboardpages plinkfizz com - Jul 05 2022

kat kerr pub hesston klm 3 3 be applied to more effective prevention and treatment efforts and underscores medical anthropology's potential to improve health around the world new to this edition anthropologists in action examples show how various anthropologists address real world health issues streamlined overview of infectious diseases

İstanbul cafe restaurant kherson facebook - Aug 18 2023

İstanbul cafe restaurant kherson 431 likes 1 talking about this 185 were here İstanbul cafe restaurant herson şehirinde türk mutfağı İstanbul

kat kerr pub hesston klm 2023 graph safehousetech - Apr 14 2023

2 kat kerr pub hesston klm 2023 04 26 a series of plays university of texas press staff from smaller airports typically lack

specialized expertise in the negotiation and development of airport property or the resources to hire consultants acrp research report 213 provides airport management policymakers and staff a resource for

kat kerr profiles facebook - Sep 19 2023

people named kat kerr find your friends on facebook log in or sign up for facebook to connect with friends family and people you know log in or sign up prophetes kat kerr see photos lives in jacksonville florida kat kerr see photos lives in orangeville illinois kat kerr see photos katrina kerr see photos

kat kerr pub hesston klm trade inredemption sonymobile - Aug 06 2022

kat kerr pub hesston klm incarcat de accesari 1109 data 30 10 10 marime 5 1 mb browserul tau nu suporta html5 a list of every word of the year selection released by dictionary com dictionary com s first word of the year was chosen in 2010 powered by tcpdf tcpdf org trade inredemption sonymobile com 2 2

kat kerr pub hesston klm help environment harvard edu - Jun 16 2023

kat kerr pub hesston klm recognizing the exaggeration ways to acquire this books kat kerr pub hesston klm is additionally useful you have remained in right site to start getting this info get the kat kerr pub hesston klm associate that we meet the expense of

kat kerr pub hesston klm forums usc edu - Oct 08 2022

have look various times for their top books later this kat kerr pub hesston klm but end up in toxic downloads it will enormously ease you to see instruction kat kerr pub hesston klm as you such as acknowledging the amplification ways to download this ebook kat kerr pub hesston klm is additionally beneficial

katmer neredede yenİr - Apr 02 2022

katmer tarifi 1 ege yöresine göre zeytinyağı un su tuz margarin tahin tahin ve margarin hariç diğer malzemeler ile katmerin temeli olan hamur hazırlanır ve dinlendirmeye alınır yarım saat dinlenen hamur parçalara ayrılarak ince açılır arasına margarin ve

katkerrpubhesstonklm kpdashboard aidscontrol gov - Mar 01 2022

2 2 katkerrpubhesstonklm 2022 06 28 attempt to destroy the leaders of the nation during the state of the union speech is thwarted by stohler through his pursuit of the killers of his daughter

kat kerr pub hesston klm secure4 khronos - Feb 12 2023

kat kerr pub hesston klm secure4 khronos org author helibert weinfeld secure4 khronos org subject kat kerr pub hesston klm secure4 khronos org keywords download baros daca maine ft bogdan ioana jibovivawosac cf dictionary com s list of every word of the year created date 5 25 2023 11 51 26 am

kat kerr pub hesston klm share docseducation - Jan 31 2022

this kat kerr pub hesston klm as one of the most operational sellers here will completely be paired with by the best alternatives to review share docseducation com 1 3

[kat kerr pub hesston klm pdf uniport edu](#) - Dec 10 2022

apr 27 2023 kat kerr pub hesston klm 1 8 downloaded from uniport edu ng on april 27 2023 by guest kat kerr pub hesston klm this is likewise one of the factors by obtaining the soft documents of this kat kerr pub hesston klm by online you might not require more time to spend to go to the ebook instigation as well as search for them in some cases you

İstanbul da katmer yiyebileceğiniz en İyi 8 mekan yemek com - May 15 2023

may 30 2017 adında boşuna katmer yazmıyor Çanak kebab katmer foursquare hem etli çiğ köftenin hem de en iyi katmerin adresidir o İsmi layıkıyla taşıdığı katmerler yanında bayılacağınız yaş antep fıstığı ile servis ediliyor Öncesinde mekanın bir diğer meşhur lezzeti patlıcan kebab ve küşlemelerinden de yiyiniz tabii

[kat kerr pub hesston klm pdf uniport edu](#) - Mar 13 2023

kat kerr pub hesston klm is available in our digital library an online access to it is set as public so you can download it instantly our digital library spans in multiple locations allowing you to get the most less latency time to download

kat kerr march 2013 kansas youtube - Jul 17 2023

kat kerr hesston kansas good friday march 2013filmed at hesstonklm org kat kerr s books revealingheaven com store

kat kerr pub hesston klm speakings gestamp - May 03 2022

end up in toxic downloads in the path of them is this kat kerr pub hesston klm that can be your partner if you want to comical literature lots of stories story laughs and more fictions collections are also established from best seller to one of the most existing debuted along with tutorials you could enjoy now is kat kerr pub hesston

kat kerr pub hesston klm pdf download only - Nov 09 2022

title kat kerr pub hesston klm pdf download only digitalworkgroup skidmore edu created date 9 18 2023 3 46 43 pm

city pub 12862 ziyaretçidan 252 tavsiye foursquare - Sep 07 2022

12862 ziyaretçi city pub ziyaretçisinden 1765 fotoğraf ve 252 tavsiye gör kayseri de standart üstü lakin şu şehrin insanında acil bir içmimar

kat kerr pub hesston klm full pdf htaccess guide com - Jan 11 2023

recognizing the mannerism ways to acquire this book kat kerr pub hesston klm is additionally useful you have remained in right site to start getting this info acquire the kat kerr pub hesston klm partner that we pay for here and check out the link you could purchase guide kat kerr pub hesston klm or acquire it as soon as feasible you could

sample letter of invitation to sports event - Mar 26 2023

web apr 14 2023 16 event invitation samples by type with importance indeed editorial team

sports games invitation templates free greetings island - May 16 2022

web sample invitation letter for sports create in school dear sir madam we are support a sport program in on school in which we would like until invite you because a guest and

[sample invitation letter for sports event faceitsalon com](#) - Dec 23 2022

web home documents templates invitation templates conference invitation templates we are not affiliated with any brand or entity on this form get the free invitation letter for

letter of invitation for sports event template - Jun 16 2022

web this letter is on ask you to our annual sports event our yearly sports event had been scheduled for the 11th of the next month to become be an honor in our institute to have

sporting event invitations send online instantly rsvp tracking - Feb 10 2022

19 event invitation email template examples 19 theme lines - Jan 24 2023

web please join us from time if you enjoy competitive sports then come along at the sports event on date organized by a group of volunteers to help and raise funds for the flood

invitation letter for event samples templates - Apr 26 2023

web digital digital event invitations are certainly the most convenient option for both you and the recipients they can be quickly and easily distributed to large groups of invitees and

letter of invitation for sports event template wordmycity com - Apr 14 2022

[16 event invitation samples by type with importance indeed](#) - Oct 21 2022

web sports games invitations if it s not a party unless you re keeping score these are the invitations for you our baseball football hockey soccer themed invitations feature a

[letter of invitation for sports event template](#) - Jan 12 2022

sample letter for sport invitation pdf scribd - Sep 19 2022

web dear nick

[letter of invitation for sports event template semioffice com](#) - Oct 01 2023

web brochure invitations labels logos newsletters posters signage coupons education case study essays finance objectives

[free custom printable sports invitation templates canva](#) - May 28 2023

web sep 30 2023 5 edit the letter read the letter carefully and edit it before sending it out check for any spelling or

grammatical errors and make sure that the information is

how to create the perfect invitation letter for your event - Nov 21 2022

web manager sports invitation buchstabe for annual game event in school dear nick this letter is to invite you to in annual sports event our yearly games event had been

letter of invitation for sports event template century21next.com - Dec 11 2021

sample of invitation letter for sports event faceitsalon.com - Jul 30 2023

web sampler invitation letters for sports event in school sweet sir madam ours represent wait a sports program in our school on which our would like for send thou as a guest

letter of invitation for sports event template teambuildit.com - Jun 28 2023

web in the following event invitation example from construction finance there is a call to action link share to your friends to make it easy forward the prospects on share your

sports invitation 28 examples format pdf - Feb 22 2023

web sample letter for sport invitation free download as word doc doc docx pdf file pdf text file txt or read online for free a letter requesting support for a sports

sports invitation 28 examples format pdf examples 48 - Aug 31 2023

web may 13 2023 best regards your name invitation letter for a soccer tournament dear name we are excited to invite you to participate in our upcoming soccer tournament

48 best sports event invitation wording ideas thewordyboy - Aug 19 2022

web this letter is to invite you to our annual sports event type of event our annual sports event had been scheduled on date dd mm yy of the next month it would be an

invitation letter for sports tournament pdfiller - Jul 18 2022

web oct 30 2023 you can use the online design tool to customize your sports event invitation template for the big plays ahead match the font colors and envelope liner to your

sample letter of invitation to sports event msrblog - Mar 14 2022