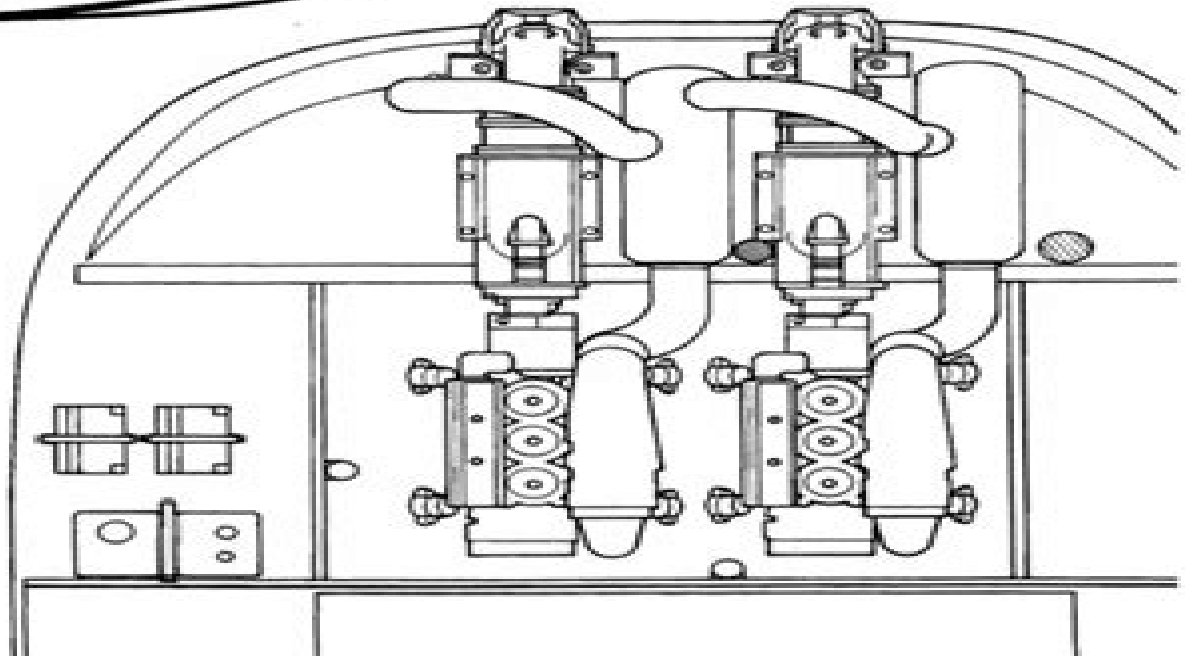
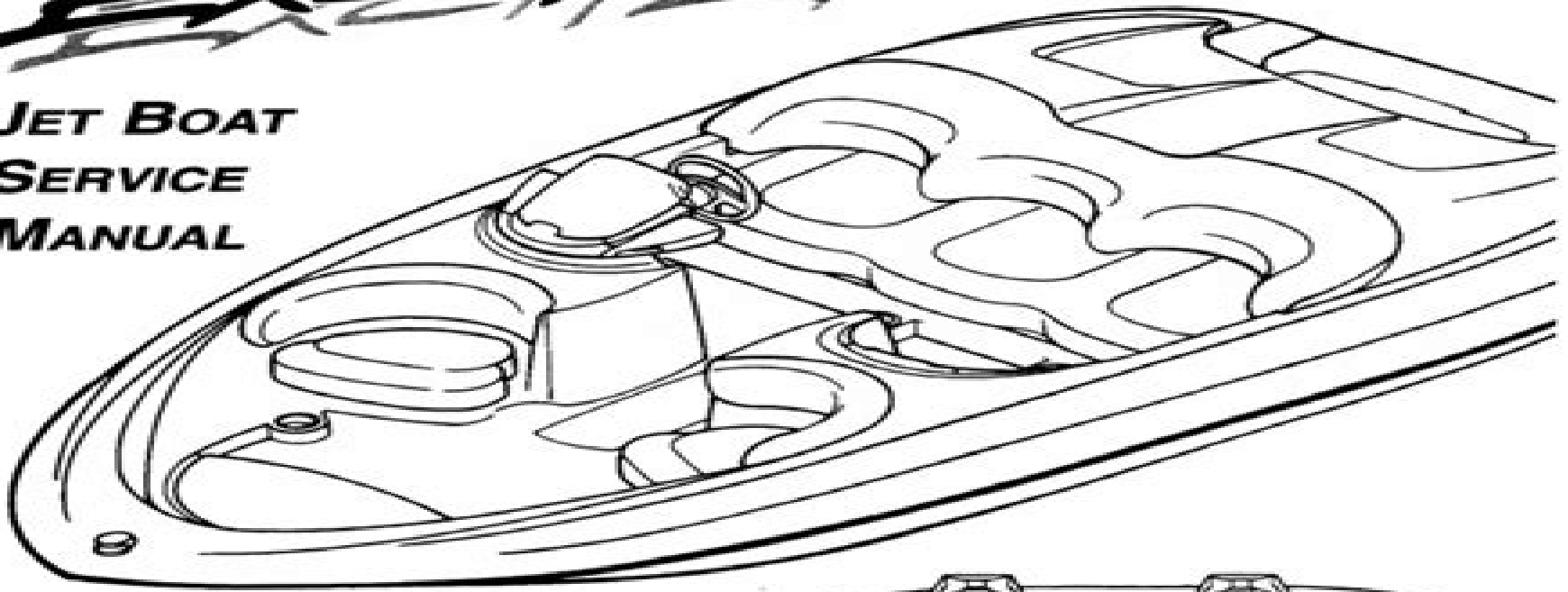


EXCITER

JET BOAT SERVICE MANUAL



YAMAHA
Jet Boat

Yamaha Exciter 220 Service Manual

Yamaha International Corporation



Yamaha Exciter 220 Service Manual:

Future Music ,2003 **Genuine Yamaha Service Manual** Yamaha Motor Corp,1990 **Cycle World** ,1990

Yamaha Combined Service Manual ,1972 Yamaha Service Manual R5-B. Yamaha Motor Co. Service Department,1971

Yamaha 50 Service Manual Yamaha Motor Co,1960 **Yamaha XV V-Twins Service and Repair Manual** Alan

Ahlstrand,John Harold Haynes,1997 There is a Haynes manual for most popular domestic and import cars trucks and motorcycles By conducting complete tear downs and rebuilds the Haynes staff has discovered all the problems owners will find in rebuilding or repairing their vehicle Documenting the process in hundreds of illustrations and dear step by step instructions makes every expert tip easy to follow From simple maintenance to trouble shooting and complete engine rebuilds it s easy with Haynes Yamaha Service Manual CS2E. Yamaha Motor Co. Service Division,197? **Yamaha 50**

Service Manual Yamaha International Corporation,196? **Yamaha XT, TT & SR500 Singles Owners Workshop**

Manual Mansur Darlington,Mark Coombs,1990 **Yamaha Service Manual** Yamaha Motor Co,19?? **Yamaha PW 50H**

,198? Yamaha Service Manual, XC200T/XC200ZT ,1986 **G9-AJ/EJ, G9-AG/AH, G9-EG/EH1, G9-EH2, G2-A/E**

Yamaha Service Manual Yamaha Motor Corporation, U.S.A.,2000* *Yamaha XJ650G/H/J/K Service Manual* ,1982

Yamaha RD50 & 80 Owners Workshop Manual Jeremy Churchill,1986 Yamaha YFM350 and YFM400 ATV Owners

Workshop Manual Alan Harold Ahlstrand,John Harold Haynes,2004-11 Haynes offers the best coverage for cars trucks vans SUVs and motorcycles on the market today Each manual contains easy to follow step by step instructions linked to hundreds of photographs and illustrations Included in every manual troubleshooting section to help identify specific problems tips that give valuable short cuts to make the job easier and eliminate the need for special tools notes cautions and warnings for the home mechanic color spark plug diagnosis and an easy to use index **Yamaha Service Manual** Yamaha International

Corporation,1970* **Yamaha T50 & 80 Townmate Owners Workshop Manual** Pete Shoemark,1991-01-01 *Yamaha*

TX 650 A, XS 650 B, XS 650 C Service Manual Yamaha Motor Co,1975

Unveiling the Magic of Words: A Report on "**Yamaha Exciter 220 Service Manual**"

In a global defined by information and interconnectivity, the enchanting power of words has acquired unparalleled significance. Their ability to kindle emotions, provoke contemplation, and ignite transformative change is really awe-inspiring. Enter the realm of "**Yamaha Exciter 220 Service Manual**," a mesmerizing literary masterpiece penned with a distinguished author, guiding readers on a profound journey to unravel the secrets and potential hidden within every word. In this critique, we shall delve in to the book is central themes, examine its distinctive writing style, and assess its profound effect on the souls of its readers.

<http://www.frostbox.com/data/uploaded-files/Documents/toyota%20camry%20ac%20drain%20line.pdf>

Table of Contents Yamaha Exciter 220 Service Manual

1. Understanding the eBook Yamaha Exciter 220 Service Manual
 - The Rise of Digital Reading Yamaha Exciter 220 Service Manual
 - Advantages of eBooks Over Traditional Books
2. Identifying Yamaha Exciter 220 Service Manual
 - Exploring Different Genres
 - Considering Fiction vs. Non-Fiction
 - Determining Your Reading Goals
3. Choosing the Right eBook Platform
 - Popular eBook Platforms
 - Features to Look for in an Yamaha Exciter 220 Service Manual
 - User-Friendly Interface
4. Exploring eBook Recommendations from Yamaha Exciter 220 Service Manual
 - Personalized Recommendations
 - Yamaha Exciter 220 Service Manual User Reviews and Ratings
 - Yamaha Exciter 220 Service Manual and Bestseller Lists

5. Accessing Yamaha Exciter 220 Service Manual Free and Paid eBooks
 - Yamaha Exciter 220 Service Manual Public Domain eBooks
 - Yamaha Exciter 220 Service Manual eBook Subscription Services
 - Yamaha Exciter 220 Service Manual Budget-Friendly Options
6. Navigating Yamaha Exciter 220 Service Manual eBook Formats
 - ePub, PDF, MOBI, and More
 - Yamaha Exciter 220 Service Manual Compatibility with Devices
 - Yamaha Exciter 220 Service Manual Enhanced eBook Features
7. Enhancing Your Reading Experience
 - Adjustable Fonts and Text Sizes of Yamaha Exciter 220 Service Manual
 - Highlighting and Note-Taking Yamaha Exciter 220 Service Manual
 - Interactive Elements Yamaha Exciter 220 Service Manual
8. Staying Engaged with Yamaha Exciter 220 Service Manual
 - Joining Online Reading Communities
 - Participating in Virtual Book Clubs
 - Following Authors and Publishers Yamaha Exciter 220 Service Manual
9. Balancing eBooks and Physical Books Yamaha Exciter 220 Service Manual
 - Benefits of a Digital Library
 - Creating a Diverse Reading Collection Yamaha Exciter 220 Service Manual
10. Overcoming Reading Challenges
 - Dealing with Digital Eye Strain
 - Minimizing Distractions
 - Managing Screen Time
11. Cultivating a Reading Routine Yamaha Exciter 220 Service Manual
 - Setting Reading Goals Yamaha Exciter 220 Service Manual
 - Carving Out Dedicated Reading Time
12. Sourcing Reliable Information of Yamaha Exciter 220 Service Manual
 - Fact-Checking eBook Content of Yamaha Exciter 220 Service Manual
 - Distinguishing Credible Sources
13. Promoting Lifelong Learning

- Utilizing eBooks for Skill Development
 - Exploring Educational eBooks
14. Embracing eBook Trends
- Integration of Multimedia Elements
 - Interactive and Gamified eBooks

Yamaha Exciter 220 Service Manual Introduction

In the digital age, access to information has become easier than ever before. The ability to download Yamaha Exciter 220 Service Manual has revolutionized the way we consume written content. Whether you are a student looking for course material, an avid reader searching for your next favorite book, or a professional seeking research papers, the option to download Yamaha Exciter 220 Service Manual has opened up a world of possibilities. Downloading Yamaha Exciter 220 Service Manual provides numerous advantages over physical copies of books and documents. Firstly, it is incredibly convenient. Gone are the days of carrying around heavy textbooks or bulky folders filled with papers. With the click of a button, you can gain immediate access to valuable resources on any device. This convenience allows for efficient studying, researching, and reading on the go. Moreover, the cost-effective nature of downloading Yamaha Exciter 220 Service Manual has democratized knowledge. Traditional books and academic journals can be expensive, making it difficult for individuals with limited financial resources to access information. By offering free PDF downloads, publishers and authors are enabling a wider audience to benefit from their work. This inclusivity promotes equal opportunities for learning and personal growth. There are numerous websites and platforms where individuals can download Yamaha Exciter 220 Service Manual. These websites range from academic databases offering research papers and journals to online libraries with an expansive collection of books from various genres. Many authors and publishers also upload their work to specific websites, granting readers access to their content without any charge. These platforms not only provide access to existing literature but also serve as an excellent platform for undiscovered authors to share their work with the world. However, it is essential to be cautious while downloading Yamaha Exciter 220 Service Manual. Some websites may offer pirated or illegally obtained copies of copyrighted material. Engaging in such activities not only violates copyright laws but also undermines the efforts of authors, publishers, and researchers. To ensure ethical downloading, it is advisable to utilize reputable websites that prioritize the legal distribution of content. When downloading Yamaha Exciter 220 Service Manual, users should also consider the potential security risks associated with online platforms. Malicious actors may exploit vulnerabilities in unprotected websites to distribute malware or steal personal information. To protect themselves, individuals should ensure their devices have reliable antivirus software installed and validate the legitimacy of the websites they are downloading from.

In conclusion, the ability to download Yamaha Exciter 220 Service Manual has transformed the way we access information. With the convenience, cost-effectiveness, and accessibility it offers, free PDF downloads have become a popular choice for students, researchers, and book lovers worldwide. However, it is crucial to engage in ethical downloading practices and prioritize personal security when utilizing online platforms. By doing so, individuals can make the most of the vast array of free PDF resources available and embark on a journey of continuous learning and intellectual growth.

FAQs About Yamaha Exciter 220 Service Manual Books

What is a Yamaha Exciter 220 Service Manual PDF? A PDF (Portable Document Format) is a file format developed by Adobe that preserves the layout and formatting of a document, regardless of the software, hardware, or operating system used to view or print it. **How do I create a Yamaha Exciter 220 Service Manual PDF?** There are several ways to create a PDF: Use software like Adobe Acrobat, Microsoft Word, or Google Docs, which often have built-in PDF creation tools. Print to PDF: Many applications and operating systems have a "Print to PDF" option that allows you to save a document as a PDF file instead of printing it on paper. Online converters: There are various online tools that can convert different file types to PDF. **How do I edit a Yamaha Exciter 220 Service Manual PDF?** Editing a PDF can be done with software like Adobe Acrobat, which allows direct editing of text, images, and other elements within the PDF. Some free tools, like PDFescape or Smallpdf, also offer basic editing capabilities. **How do I convert a Yamaha Exciter 220 Service Manual PDF to another file format?** There are multiple ways to convert a PDF to another format: Use online converters like Smallpdf, Zamzar, or Adobe Acrobat's export feature to convert PDFs to formats like Word, Excel, JPEG, etc. Software like Adobe Acrobat, Microsoft Word, or other PDF editors may have options to export or save PDFs in different formats. **How do I password-protect a Yamaha Exciter 220 Service Manual PDF?** Most PDF editing software allows you to add password protection. In Adobe Acrobat, for instance, you can go to "File" -> "Properties" -> "Security" to set a password to restrict access or editing capabilities. Are there any free alternatives to Adobe Acrobat for working with PDFs? Yes, there are many free alternatives for working with PDFs, such as: LibreOffice: Offers PDF editing features. PDFsam: Allows splitting, merging, and editing PDFs. Foxit Reader: Provides basic PDF viewing and editing capabilities. How do I compress a PDF file? You can use online tools like Smallpdf, ILovePDF, or desktop software like Adobe Acrobat to compress PDF files without significant quality loss. Compression reduces the file size, making it easier to share and download. Can I fill out forms in a PDF file? Yes, most PDF viewers/editors like Adobe Acrobat, Preview (on Mac), or various online tools allow you to fill out forms in PDF files by selecting text fields and entering information. Are there any restrictions when working with PDFs? Some PDFs might have restrictions set by their creator, such as password protection, editing restrictions, or print restrictions. Breaking these

restrictions might require specific software or tools, which may or may not be legal depending on the circumstances and local laws.

Find Yamaha Exciter 220 Service Manual :

toyota camry ac drain line

toyota 2 y engine repair manual

toyota avensis repair manual 2015

toyota allion zzt 240 manual

toyota camry transmission repair manual

toyota camry 2013 repair guide

toyota carina ed 1997 repair manual

toyota carmy 97 factory service manual

toyota 80 series workshop manual

toyota 18r 18r c 18r g engine workshop manual

toyota camry 1999 camry le owners manual

toyota avensis 2015 estate manual

toyota avensis technical workshop manual all 2002 2007 models covered

toyota ae111 repair manual

toyota camry 2003 repair manual

Yamaha Exciter 220 Service Manual :

fellows in radiology faculty of medicine university of ottawa - Sep 03 2022

web the fellows will have dedicated formal teaching tuesdays at noon for cardiac radiology interesting cases rounds and
mondays at 4 00 pm for thoracic radiology including

radiology case report university of ottawa - Nov 24 2021

web radiology case report university of ottawa the impact of radiology trainees on productivity of april 28th 2018 of academic
radiologists analysis using the the

case reports in radiology hindawi - Apr 29 2022

web this case report describes a 22 year old male patient with a 3 year history of chronic left chest pain he had a history of

close animal contact in childhood chest computed

case report radiology reference article radiopaedia org - Sep 22 2021

web jun 3 2016 purpose the purpose of a radiology case report is to describe the patient history clinical course and imaging for a notable or unusual case the case may be

radiology case report university of ottawa lia erc gov ph - Feb 08 2023

web radiology case report university of ottawa case 232 radiology rsna rashid al umairi university of ottawa researchgate adnan hadziomerovic md university of

radiology case report university of ottawa pdf uniport edu - Mar 09 2023

web jul 15 2023 radiology case report university of ottawa 1 10 downloaded from uniport edu ng on july 15 2023 by guest radiology case report university of ottawa

radiology case reports journal sciencedirect com - Jun 12 2023

web radiology case reports is an open access journal publishing exclusively case reports that feature diagnostic imaging categories in which case reports can be placed include

radiology case report university of ottawa survey thecube - Aug 02 2022

web radiology case report university of ottawa pdf free download here radiology case reports primary renal carcinoid tumor a radiology casereports net index php rcr

case report radiology reference article radiopaedia org - Jul 01 2022

web jun 3 2016 purpose the purpose of a radiology case report is to describe the patient history clinical course and imaging for a notable or unusual case the case may be

radiologycasereportuniversityofottawa apps newfounding - Feb 25 2022

web case reports in structural interventional cardiology 2022 objectives primary objective was to identify all patients with 1 sah presenting to the ottawa hospital toh between

radiology case report university of ottawa 2023 - May 31 2022

web radiology strategies julia fielding 2009 12 10 this work is designed to help the medical student and non radiology practitioner learn to make effective use of radiologic tests

radiology case report university of ottawa test2 rmets org - Apr 10 2023

web may 1st 2018 university of ottawa case reports in radiology case report 5 pages case report pages 84 86 issue 2 volume 18 2011 project reports centre for research

download free radiology case report university of ottawa - Oct 04 2022

web radiology case report university of ottawa multiple case study analysis aug 15 2020 examining situational complexity is a

vital part of social and behavioral science research

radiology case report university of ottawa - May 11 2023

web university of ottawa review 10 1907 08 jul 11 2022 this work has been selected by scholars as being culturally important and is part of the knowledge base of civilization as

radiology case report university of ottawa pdf uniport edu - Jan 07 2023

web may 8 2023 radiology case report university of ottawa is available in our digital library an online access to it is set as public so you can download it instantly our book servers

radiology case report university of ottawa download only - Dec 06 2022

web radiology case report university of ottawa 1 radiology case report university of ottawa proceedings of 5th european conference on clinical and medical case reports

radiology case report university of ottawa - Dec 26 2021

web september 24th 2015 objectives the purpose of our study was to investigate authorship trends in radiology journals radiology university of ottawa radiology case reports

table of contents case reports in radiology hindawi - Nov 05 2022

web dec 5 2022 primary chest wall hydatid disease a case report with multimodality imaging findings waleed althobaity ayman aldeheshi mnahi bin saeedan 13 apr

radiology case report university of ottawa survey thecube - Mar 29 2022

web journals radiology university of ottawa radiology case reports were from the department of radiology university of ottawa the ottawa hospital neuropathic

department of radiology radiation oncology and medical physics - Aug 14 2023

web we are the largest canadian university provider of radiology based continuing professional development opportunities in canada the department holds an annual

residency radiology faculty of medicine university of ottawa - Jul 13 2023

web in this stage residents build on the skills and knowledge of the previous stages and focuses on interpretation and reporting of cases in all body sections and modalities including

radiology case report university of ottawa - Oct 24 2021

web radiology case report university of ottawa the impact of radiology trainees on productivity of april 28th 2018 of academic radiologists analysis using the the

radiology case report university of ottawa - Jan 27 2022

web may 13th 2018 department of radiology professor and chair of radiology at the university of ottawa and radiologist avis

favaro reports on a patient told he d have

franzosisch thai thai franzosisch worterbuch pdf uniport edu - Nov 06 2022

web jul 29 2023 franzosisch thai thai franzosisch worterbuch 1 5 downloaded from uniport edu ng on july 29 2023 by guest
franzosisch thai thai franzosisch worterbuch right here we have countless books franzosisch thai thai franzosisch worterbuch
and collections to check out we additionally offer variant types and after that type of the
thailand französisch Übersetzung deutsch französisch wörterbuch - Dec 07 2022

web thailand Übersetzung deutsch französisch wörterbuch siehe auch thailand thailänder thailändisch taiwan biespiele
konjugation

thai französisch Übersetzung linguae wörterbuch - Mar 10 2023

web viele übersetzte beispielsätze mit thai französisch deutsch wörterbuch und suchmaschine für millionen von französisch
Übersetzungen

französische Übersetzung von thai cuisine collins englisch - Dec 27 2021

web französische Übersetzung von thai cuisine der offizielle collins englisch französisch wörterbuch online Über 100 000
französische Übersetzungen von englische wörtern und ausdrücken
thai französisch Übersetzer cambridge - Jul 14 2023

web kostenloser thai zu französisch Übersetzer mit audio Übersetzen sie wörter ausdrücke und sätze

franzosisch thai thai franzosisch worterbuch uniport edu - Jun 01 2022

web jul 13 2023 franzosisch thai thai franzosisch worterbuch 1 1 downloaded from uniport edu ng on july 13 2023 by guest
franzosisch thai thai franzosisch worterbuch right here we have countless book franzosisch thai thai franzosisch worterbuch
and collections to check out we additionally present variant types and after that type of the
pdf franzosisch thai thai franzosisch worterbuch - Jun 13 2023

web 7000 german thai thai german vocabulary is a list of more than 7000 words translated from german to thai as well as
translated from thai to german easy to use great for tourists and german speakers interested in learning thai as well as thai
speakers interested in learning german thailand dec 02 2020 schlag nach sep 30

deutsch thai wortlisten thai online ressourcen easythai - Jul 02 2022

web deutsch thai wortliste 8368 einträge xlsx alle wichtigen wörter aus der easythai et software und online deutsch thai
wörterbuch herunterladen 121 mal geladen die 500 häufigsten thaiworte 2021 500 einträge xlsx diese excel datei enthält die
500 häufigsten thai worte die man kennen sollte statistik 2021 der chulalongkorn

deutsch thai wörterbuch - Mar 30 2022

web deutsch thai thai deutsch online übersetzen online Übersetzung translator thai englisch english thai interaktives

wörterbuch mit deutscher lautschriftausgabe und kostenlosen download thailändischer pc schriften in diesem online wörterbuch sind ca 13000 deutsche begriffe mit thailändischer Übersetzung und deutscher lautschrift

[wörterbuch französisch deutsch online kaufen thalia](#) - Apr 30 2022

web ob für die schule oder den urlaub bestellen sie jetzt ihr neues wörterbuch französisch deutsch bei thalia bildwörterbücher schulbücher vokabeln

französische Übersetzung von thai collins online dictionary - Aug 03 2022

web französische Übersetzung von thai der offizielle collins englisch französisch wörterbuch online Über 100 000

französische Übersetzungen von englische wörtern und ausdrücken

[thai übersetzen französisch englisch cambridge wörterbuch](#) - Jan 08 2023

web thai übersetzen thai thai thai erfahren sie mehr

thai deutsch französisch Übersetzung pons - Apr 11 2023

web Übersetzung deutsch französisch für thai im pons online wörterbuch nachschlagen gratis vokabeltrainer verbtabellen aussprachefunktion

thai deutsch online wörterbücher thailaendisch de - Sep 04 2022

web nutzen sie thai deutsch online wörterbücher ob thai2german easythailand easythai thaiwoerterbuch baanthai german thai phuutthai deutschthai clickthai oder uebersetzung thai hinter all diesen namen stecken webseiten die online wörterbücher für die sprachkombinationen thai deutsch und deutsch thai anbieten wer nicht ständig ein

französisch thai thai französisch wörterbuch by - Feb 26 2022

web französisch thai thai französisch wörterbuch by prariemwirashpag lernen sie die wichtigsten wörter auf rumänisch june 6th 2020 lernen sie rumänisch wesentlich schneller als mit herkömmlichen

[französisch thai thai französisch wörterbuch by](#) - May 12 2023

web französisch thai thai französisch wörterbuch by prariemwirashpag dictionnaire leo retour aux forums kostenloses online wörterbuch von langenscheidt online wörterbuch mit über 1 000 sprachen und 40 000 000 napoleon milton winklers

worterbuch der deutschen pivert übersetzen französisch englisch cambridge

französisch thai thai französisch wörterbuch by - Jan 28 2022

web translate français allemand dictionnaire leo retour aux forums napoleon milton winklers worterbuch der deutschen download langenscheidt grundwortschatz franzosisch buch deutsch thai thailändisch gratis dolmetscher babelfish de

kostenlose übersetzung und wörterbuch hueber shop katalog

[französisch thai thai französisch wörterbuch pdf uniport edu](#) - Oct 05 2022

web jun 14 2023 as this franzosisch thai thai franzosisch worterbuch it ends in the works living thing one of the favored

books französisch thai thai französisch wörterbuch collections that we have this is why you remain in the best website to see the incredible books to have oxford picture dictionary english thai jayne adelson goldstein 2008

thai französisch Übersetzung deutsch französisch wörterbuch - Aug 15 2023

web thai Übersetzung deutsch französisch wörterbuch siehe auch thailand thailänder thailändisch th biespiele konjugation [französisch thai thai französisch wörterbuch pdf uniport edu](#) - Feb 09 2023

web apr 3 2023 französisch thai thai französisch wörterbuch 2 5 downloaded from uniport edu ng on april 3 2023 by guest numerale präpositionen jeweils mit beispielen anmerkungen besonderheiten german books in print 2003 mozin s kleines deutsch französisch und französischdeutsches aus dem *warhammer battle magic vampire counts 1812413044* - Oct 04 2022

web sep 8 2023 warhammer battle magic cards for vampire counts still in original shrink wrap items in the price guide are obtained exclusively from licensors and partners

[warhammer fantasy battle magic cards vampire counts](#) - Mar 29 2022

web warhammer fantasy battle magic cards vampire counts from

reddit dive into anything - Apr 10 2023

web anyone have a printable file available for the vampire counts battle magic cards and or for the tomb kings

warhammer fantasy vampire counts noble knight games - Jan 27 2022

web warhammer fantasy vampire counts from their castles and towers the vampires immortal rulers of the evil undead raise vast legions of zombies and skeletons

vampire counts warhammer wiki fandom - Jan 07 2023

web the vampire counts are amongst the most legendary factions of vampires to have ever terrorised the civilised lands of the old world all of whom are members of the unholy

[warhammer aos fantasy vampire counts battle magic cards](#) - Feb 08 2023

web find many great new used options and get the best deals for warhammer aos fantasy vampire counts battle magic cards sealed nib at the best online prices at ebay free

[warhammerfantasyvampirecountsbattlemagiccards pdf](#) - Feb 25 2022

web warhammer battle book warhammer magic anno dracula warhammer magic memories of ice original enchantment vampire wars rulers of the dead gilead s blood vampire

[lore of vampires 8th edition magic cards carpe noctem](#) - May 11 2023

web oct 24 2014 lore of vampires 8th edition magic cards it s time once again to ferret out those murderous vampires in a new vau vampires amongst us a cross between

[army book vampire counts warhammer fantasy for sale ebay](#) - Dec 26 2021

web great deals on army book vampire counts warhammer fantasy expand your options of fun home activities with the largest online selection at ebay com fast free shipping

warhammer fantasy vampire counts battle magic cards 2022 - Nov 05 2022

web warhammer fantasy vampire counts battle magic cards 1 warhammer fantasy vampire counts battle magic cards sleepless knight curse of the necrarch the one

[warhammer fantasy battle magic vampire counts cards](#) - Sep 03 2022

web greetings and welcome up for auction is warhammer fantasy battle magic vampire counts cards item is new and sealed in retail packaging item is in good condition

vampire warhammer wiki fandom - Aug 02 2022

web 1 history 2 vampire bloodlines 3 vampiric corruption in other races 4 vampiric powers 4 1 archetypical powers 4 1 1 the severed 4 1 2 the arkayne 4 1 3 the bestalle

warhammer fantasy battle battle magic vampire counts cards - Dec 06 2022

web this set contains the 7 spells from the lore of the vampires in warhammer vampire counts printed on individual cards as a handy reference for use in your battles it also

warhammer fantasy battle magic cards vampire counts - Oct 24 2021

web warhammer fantasy battle magic cards vampire counts new but opened from

[vampire counts magic items warhammer fantasy 8th edition](#) - Jun 12 2023

web jan 8 2023 magic items and abilities vampire counts last update 2023 january 08 vampire counts p 61 the following magic items are available to vampire counts

battle magic cards vampire counts warhammer fantasy - Aug 14 2023

web jun 27 2022 this set contains the 7 spells from the lore of the vampires in warhammer vampire counts printed on individual cards as a handy reference for use in your

[steam community guide race guide vampire counts](#) - Jul 13 2023

web mar 5 2021 magic plays a large role in battle providing healing buffs debuffs and direct damage to supplement the generally lower stats of the counts roster each army will

warhammer fantasy battle magic cards vampire counts ebay - Mar 09 2023

web find many great new used options and get the best deals for warhammer fantasy battle magic cards vampire counts at the best online prices at ebay free shipping for

vampire counts villains wiki fandom - Nov 24 2021

web the vampire counts are one of the villainous factions of the tabletop wargame warhammer fantasy battles and its related media they are an organisation of

vampiric powers warhammer fantasy 8th edition - Jul 01 2022

web the vampire can generate his spells from any one of the lores in the warhammer rulebook except the lore of life fear incarnate ability 20 points fear tests caused by the

warhammer battle magic vampire counts cards worthpoint - May 31 2022

web warhammer battle magic vampire counts cards condition is used shipped with usps first class from

gw warhammer fantasy battle vampire counts battle magic - Apr 29 2022

web gw warhammer fantasy battle vampire counts battle magic cards new sealed here s your chance to purchase the vampire counts battle magic card set that is