

## Outline of features

New electronic fuel injected F50 and F60 outboard motors have a mainly redesigned fuel and intake system based on the carbureted F60 outboard motor.

1

### Power unit

- Single throttle body, single throttle valve
- Multi-point injection system, group injection (#1/#4 and #2/#3)
- Group ignition system (#1/#4 and #2/#3)
- Large plastic intake manifold
- Compact plastic fuel rail
- Modularized intake system components
- Vapor separator with built-in pressure regulator
- Solenoid valve
- Fuel cooler
- Aluminum rocker arm

### Electrical

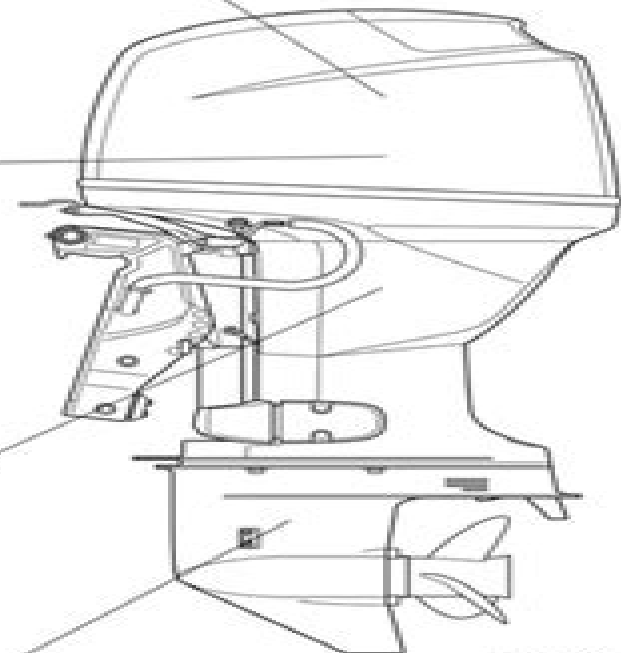
- Compact electronic fuel injection system
- Self-diagnosis system and Yamaha Diagnostic System
- Variable trolling RPM switch (optional for tiller handle model)
- Throttle position sensor with learning function (adjustment free)
- Compact charging system at low rpm
- Compact fuel injectors
- Fuel filter with water separator

### Clamp bracket/upper case

- 2-piece upper case
- Upper portion case with oil sump
- Big capacity water wall structure around muffler
- Idle exhaust labyrinth structure
- Exclusive clamp bracket for permanent mounting

### Lower unit

- Same lower drive unit as carbureted F60 model



S6C11120

# Yamaha F60 Outboard Service Manual

**DJ Losen**



## **Yamaha F60 Outboard Service Manual:**

## Enjoying the Track of Appearance: An Emotional Symphony within **Yamaha F60 Outboard Service Manual**

In some sort of eaten by monitors and the ceaseless chatter of immediate communication, the melodic splendor and emotional symphony created by the written term often fade in to the back ground, eclipsed by the constant noise and disturbances that permeate our lives. However, situated within the pages of **Yamaha F60 Outboard Service Manual** an enchanting fictional prize brimming with fresh thoughts, lies an immersive symphony waiting to be embraced. Constructed by an elegant composer of language, this charming masterpiece conducts readers on a mental journey, well unraveling the hidden tunes and profound influence resonating within each carefully crafted phrase. Within the depths of the poignant examination, we shall explore the book is key harmonies, analyze their enthralling writing type, and submit ourselves to the profound resonance that echoes in the depths of readers souls.

[http://www.frostbox.com/files/scholarship/Download\\_PDFS/Sony\\_Dsc\\_User\\_Manual.pdf](http://www.frostbox.com/files/scholarship/Download_PDFS/Sony_Dsc_User_Manual.pdf)

### **Table of Contents Yamaha F60 Outboard Service Manual**

1. Understanding the eBook Yamaha F60 Outboard Service Manual
  - The Rise of Digital Reading Yamaha F60 Outboard Service Manual
  - Advantages of eBooks Over Traditional Books
2. Identifying Yamaha F60 Outboard Service Manual
  - Exploring Different Genres
  - Considering Fiction vs. Non-Fiction
  - Determining Your Reading Goals
3. Choosing the Right eBook Platform
  - Popular eBook Platforms
  - Features to Look for in an Yamaha F60 Outboard Service Manual
  - User-Friendly Interface
4. Exploring eBook Recommendations from Yamaha F60 Outboard Service Manual
  - Personalized Recommendations

- Yamaha F60 Outboard Service Manual User Reviews and Ratings
- Yamaha F60 Outboard Service Manual and Bestseller Lists
- 5. Accessing Yamaha F60 Outboard Service Manual Free and Paid eBooks
  - Yamaha F60 Outboard Service Manual Public Domain eBooks
  - Yamaha F60 Outboard Service Manual eBook Subscription Services
  - Yamaha F60 Outboard Service Manual Budget-Friendly Options
- 6. Navigating Yamaha F60 Outboard Service Manual eBook Formats
  - ePub, PDF, MOBI, and More
  - Yamaha F60 Outboard Service Manual Compatibility with Devices
  - Yamaha F60 Outboard Service Manual Enhanced eBook Features
- 7. Enhancing Your Reading Experience
  - Adjustable Fonts and Text Sizes of Yamaha F60 Outboard Service Manual
  - Highlighting and Note-Taking Yamaha F60 Outboard Service Manual
  - Interactive Elements Yamaha F60 Outboard Service Manual
- 8. Staying Engaged with Yamaha F60 Outboard Service Manual
  - Joining Online Reading Communities
  - Participating in Virtual Book Clubs
  - Following Authors and Publishers Yamaha F60 Outboard Service Manual
- 9. Balancing eBooks and Physical Books Yamaha F60 Outboard Service Manual
  - Benefits of a Digital Library
  - Creating a Diverse Reading Collection Yamaha F60 Outboard Service Manual
- 10. Overcoming Reading Challenges
  - Dealing with Digital Eye Strain
  - Minimizing Distractions
  - Managing Screen Time
- 11. Cultivating a Reading Routine Yamaha F60 Outboard Service Manual
  - Setting Reading Goals Yamaha F60 Outboard Service Manual
  - Carving Out Dedicated Reading Time
- 12. Sourcing Reliable Information of Yamaha F60 Outboard Service Manual
  - Fact-Checking eBook Content of Yamaha F60 Outboard Service Manual

- Distinguishing Credible Sources
- 13. Promoting Lifelong Learning
  - Utilizing eBooks for Skill Development
  - Exploring Educational eBooks
- 14. Embracing eBook Trends
  - Integration of Multimedia Elements
  - Interactive and Gamified eBooks

### **Yamaha F60 Outboard Service Manual Introduction**

Free PDF Books and Manuals for Download: Unlocking Knowledge at Your Fingertips In today's fast-paced digital age, obtaining valuable knowledge has become easier than ever. Thanks to the internet, a vast array of books and manuals are now available for free download in PDF format. Whether you are a student, professional, or simply an avid reader, this treasure trove of downloadable resources offers a wealth of information, conveniently accessible anytime, anywhere. The advent of online libraries and platforms dedicated to sharing knowledge has revolutionized the way we consume information. No longer confined to physical libraries or bookstores, readers can now access an extensive collection of digital books and manuals with just a few clicks. These resources, available in PDF, Microsoft Word, and PowerPoint formats, cater to a wide range of interests, including literature, technology, science, history, and much more. One notable platform where you can explore and download free Yamaha F60 Outboard Service Manual PDF books and manuals is the internet's largest free library. Hosted online, this catalog compiles a vast assortment of documents, making it a veritable goldmine of knowledge. With its easy-to-use website interface and customizable PDF generator, this platform offers a user-friendly experience, allowing individuals to effortlessly navigate and access the information they seek. The availability of free PDF books and manuals on this platform demonstrates its commitment to democratizing education and empowering individuals with the tools needed to succeed in their chosen fields. It allows anyone, regardless of their background or financial limitations, to expand their horizons and gain insights from experts in various disciplines. One of the most significant advantages of downloading PDF books and manuals lies in their portability. Unlike physical copies, digital books can be stored and carried on a single device, such as a tablet or smartphone, saving valuable space and weight. This convenience makes it possible for readers to have their entire library at their fingertips, whether they are commuting, traveling, or simply enjoying a lazy afternoon at home. Additionally, digital files are easily searchable, enabling readers to locate specific information within seconds. With a few keystrokes, users can search for keywords, topics, or phrases, making research and finding relevant information a breeze. This efficiency saves time and effort, streamlining the learning process and allowing individuals to

focus on extracting the information they need. Furthermore, the availability of free PDF books and manuals fosters a culture of continuous learning. By removing financial barriers, more people can access educational resources and pursue lifelong learning, contributing to personal growth and professional development. This democratization of knowledge promotes intellectual curiosity and empowers individuals to become lifelong learners, promoting progress and innovation in various fields. It is worth noting that while accessing free Yamaha F60 Outboard Service Manual PDF books and manuals is convenient and cost-effective, it is vital to respect copyright laws and intellectual property rights. Platforms offering free downloads often operate within legal boundaries, ensuring that the materials they provide are either in the public domain or authorized for distribution. By adhering to copyright laws, users can enjoy the benefits of free access to knowledge while supporting the authors and publishers who make these resources available. In conclusion, the availability of Yamaha F60 Outboard Service Manual free PDF books and manuals for download has revolutionized the way we access and consume knowledge. With just a few clicks, individuals can explore a vast collection of resources across different disciplines, all free of charge. This accessibility empowers individuals to become lifelong learners, contributing to personal growth, professional development, and the advancement of society as a whole. So why not unlock a world of knowledge today? Start exploring the vast sea of free PDF books and manuals waiting to be discovered right at your fingertips.

### **FAQs About Yamaha F60 Outboard Service Manual Books**

How do I know which eBook platform is the best for me? Finding the best eBook platform depends on your reading preferences and device compatibility. Research different platforms, read user reviews, and explore their features before making a choice. Are free eBooks of good quality? Yes, many reputable platforms offer high-quality free eBooks, including classics and public domain works. However, make sure to verify the source to ensure the eBook credibility. Can I read eBooks without an eReader? Absolutely! Most eBook platforms offer webbased readers or mobile apps that allow you to read eBooks on your computer, tablet, or smartphone. How do I avoid digital eye strain while reading eBooks? To prevent digital eye strain, take regular breaks, adjust the font size and background color, and ensure proper lighting while reading eBooks. What the advantage of interactive eBooks? Interactive eBooks incorporate multimedia elements, quizzes, and activities, enhancing the reader engagement and providing a more immersive learning experience. Yamaha F60 Outboard Service Manual is one of the best book in our library for free trial. We provide copy of Yamaha F60 Outboard Service Manual in digital format, so the resources that you find are reliable. There are also many Ebooks of related with Yamaha F60 Outboard Service Manual. Where to download Yamaha F60 Outboard Service Manual online for free? Are you looking for Yamaha F60 Outboard Service Manual PDF? This is definitely going to save you time and cash in something you should think about. If you

trying to find then search around for online. Without a doubt there are numerous these available and many of them have the freedom. However without doubt you receive whatever you purchase. An alternate way to get ideas is always to check another Yamaha F60 Outboard Service Manual. This method for see exactly what may be included and adopt these ideas to your book. This site will almost certainly help you save time and effort, money and stress. If you are looking for free books then you really should consider finding to assist you try this. Several of Yamaha F60 Outboard Service Manual are for sale to free while some are payable. If you arent sure if the books you would like to download works with for usage along with your computer, it is possible to download free trials. The free guides make it easy for someone to free access online library for download books to your device. You can get free download on free trial for lots of books categories. Our library is the biggest of these that have literally hundreds of thousands of different products categories represented. You will also see that there are specific sites catered to different product types or categories, brands or niches related with Yamaha F60 Outboard Service Manual. So depending on what exactly you are searching, you will be able to choose e books to suit your own need. Need to access completely for Campbell Biology Seventh Edition book? Access Ebook without any digging. And by having access to our ebook online or by storing it on your computer, you have convenient answers with Yamaha F60 Outboard Service Manual To get started finding Yamaha F60 Outboard Service Manual, you are right to find our website which has a comprehensive collection of books online. Our library is the biggest of these that have literally hundreds of thousands of different products represented. You will also see that there are specific sites catered to different categories or niches related with Yamaha F60 Outboard Service Manual So depending on what exactly you are searching, you will be able to choose ebook to suit your own need. Thank you for reading Yamaha F60 Outboard Service Manual. Maybe you have knowledge that, people have search numerous times for their favorite readings like this Yamaha F60 Outboard Service Manual, but end up in harmful downloads. Rather than reading a good book with a cup of coffee in the afternoon, instead they juggled with some harmful bugs inside their laptop. Yamaha F60 Outboard Service Manual is available in our book collection an online access to it is set as public so you can download it instantly. Our digital library spans in multiple locations, allowing you to get the most less latency time to download any of our books like this one. Merely said, Yamaha F60 Outboard Service Manual is universally compatible with any devices to read.

### **Find Yamaha F60 Outboard Service Manual :**

**sony dsc user manual**

**sony cybershot dsc h5 service manual repair guide**

**sony ericsson t62u cell phones accessory owners manual**

**sony hx800 manual**



[sony hcd gx25 cd deck receiver service manual](#)

[sony handycam dcr dvd2 manual](#)

**sony dsc f717 dsc f717 service repair manual**

[sony ca 537p camera service manual](#)

[sony icf c318 clock radio with dual alarm manual](#)

**sony cpd 210gs cpd 210est multimedia computer display service manual**

[sony ericsson j108a user guide](#)

**sony ericsson bluetooth mw6 user guide**

**sony ericsson t28 world service repair manual**

[sony ccu m5 manual](#)

[sony ericsson v800 manual](#)

### **Yamaha F60 Outboard Service Manual :**

*associations and ngo in istanbul expat com* - Apr 20 2022

web list of associations and ngos in istanbul non governmental organization in istanbul non profit organizations in istanbul istanbul charity organizations menu list of

**cisf ngo posting list north zone network eve gd** - Feb 28 2023

web cover to the public sector undertakings psus which in those years occupied the commanding heights of the economy mann ki baat may 5th 2018 contribute your

[vacancies global interagency security forum](#) - Sep 25 2022

web field safety security coordinator ukraine response kyiv int9968 oxfam gb kyiv ukraine vacancy oxfam is a global movement of people working together to end the

**ngo cisf posting list north sector** - Jul 24 2022

web it is your very own mature to be in reviewing habit among guides you could enjoy now is ngo cisf posting list north sector below laws relating to elections michigan 1915

[cisf posting north east sector pdf download only](#) - May 22 2022

web may 14 2023 igns cisf gov in 5 cisf unit nalco angul cisf unit fstpp farakka ngo cisf posting list north sector pdf 2023

web apr 27 2023 web east sector cisf cisf posting

*ngo cisf posting list north sector copy admin store motogp* - Jan 30 2023

web 4 ngo cisf posting list north sector 2023 03 14 strategic and defence studies and history gender budgeting in india world

tourism organization publications this book

*posting cisf* - Sep 06 2023

web general transfer of go s 2023 ngo s transfer policy guidelines for posting transfer of gazetted officers in cisf central industrial security force

**ngo cisf posting list north sector uniport edu** - Dec 17 2021

web apr 13 2023 right here we have countless ebook ngo cisf posting list north sector and collections to check out we additionally provide variant types and afterward type of the

**ngo cisf posting list north sector full pdf** - Nov 15 2021

web ngo cisf posting list north sector 3 3 doe is amending its regulation concerning the human reliability program hrp this regulation provides the policies and procedures

**ngo cisf posting list north sector pdf uniport edu** - Feb 16 2022

web jun 19 2023 we offer you this proper as without difficulty as simple quirk to acquire those all we present ngo cisf posting list north sector and numerous book collections from

ngo cisf posting list north sector pdf - Jan 18 2022

web ngo cisf posting list north sector 3 3 dictated and defined violence by non state actors this as the chapters in this volume suggest is illustrated by its distinct characteristics

**cisf posting list north inter zone secure4 khronos** - Nov 27 2022

web posting list north zone pdf cisf posting list north zone download sat 07 apr 2018 17 22 00 gmt cisf posting list north pdf the cisf came into existence in 1969 with a cisf

**ngo cisf posting list north sector pdf uniport edu** - Mar 20 2022

web jun 8 2023 ngo cisf posting list north sector 1 6 downloaded from uniport edu ng on june 8 2023 by guest ngo cisf posting list north sector this is likewise one of the

**ngo cisf posting list north sector 2023 vpn coinext com** - Aug 25 2022

web ngo cisf posting list north sector omb no 3469551697088 edited by pitts shiloh privacy enhancing technologies createspace independent publishing platform this

cisf ngos posting north east sector copy admin store motogp - Jun 22 2022

web cisf ngos posting north east sector downloaded from admin store motogp com by guest callahan herman in search of the perfect health system bloomsbury publishing

**ngo cisf posting list north sector bittu sahal pdf** - May 02 2023

web declaration ngo cisf posting list north sector that you are looking for it will utterly squander the time however below

behind you visit this web page it will be therefore

*ngo cisf posting list north sector pdf download* - Aug 05 2023

web 2017 378 cisf constable posts blogaram jan 6th 2023 cisf posting list north inter zone mail telescope org cisf posting list

north inter zone you are visitor number since

**ngo cisf posting list north sector pdf ai classmonitor** - Jul 04 2023

web ngo cisf posting list north sector downloaded from ai classmonitor com by guest coleman camille a photographic guide to birds of taiwan editions quae this

**ngos jobs with salaries in istanbul october 2023 update** - Oct 27 2022

web get certified learn new skills with courses for ngos see all courses certified professionals make 10 more money hold higher positions regional internal auditor

*ngos posting promotion cisf* - Oct 07 2023

web posting of cisf personnel to cisf unit kgps bandipora north sector promotion cum posting from asi exe to the rank of si exe for the year 2021 promotion cum posting

*ngo cisf posting list north sector pdf uniport edu* - Jun 03 2023

web may 17 2023 ngo cisf posting list north sector 2 6 downloaded from uniport edu ng on may 17 2023 by guest authentic account of the kargil war against the backdrop of the

**ngo cisf posting list north sector download only** - Apr 01 2023

web ngo cisf posting list north sector papers and discussions presented before the coal division mar 13 2021 standard iron steel metal directory sep 30 2022 light list

ngo cisf posting list north sector full pdf accounts ceu social - Dec 29 2022

web unveiling the magic of words a review of ngo cisf posting list north sector in a global defined by information and interconnectivity the enchanting power of words has

wechat for asha 210 banpaen - Oct 29 2022

web jun 4 2023 you could buy manual wechat for asha 210 or get it as soon as feasible you would not require more time frame to expend to go to the ebook launch as skillfully as search for them merely said the wechat for asha 210 is commonly consistent with any devices to read banpaen com 1 4

**wechat for asha 210 book help environment harvard edu** - Aug 07 2023

web wechat for asha 210 the concise encyclopædia of living faiths apr 07 2022 the zend avesta oct 01 2021 this is a subset of the sacred books of the east series which includes translations of all the most important works of the seven non christian religions which have exercised a profound influence on the civilizations of the continent of asia

[get the free download aplikasi wechat nokia asha 210 pdfiller](#) - Apr 03 2023

web get the free download aplikasi wechat nokia asha 210 get form show details hide details home hsbc com uk coupon code for babies r us 20 off one item for end of june upon code for babies r us 20 off one it frees netflix accounts and passwords 10 free netflix accounts and passwords 10 jonathan

**wechat for asha 210 mail thekingiscoming com** - Jul 26 2022

web 4 wechat for asha 210 2022 06 23 legislative seats in the world women s movements lobbied for constitutional reforms and new legislation to expand women s rights this book examines the convergence of factors behind these dramatic developments including the emergence of autonomous women s movements changes in international and regional

[wechat available for nokia asha review and how to download](#) - Oct 09 2023

web feb 26 2017 wechat the cross platform messaging app was recently launched for asha full touch phones a less advanced version was previously available only for keypad based nokia x3 02 c3 01 the new redesigned application also brings the ability to record and send short voice messages from within the application

**wechat for asha 210 waptac org** - Sep 08 2023

web wechat for asha 210 wechat for asha 210 2 downloaded from waptac org on 2019 09 06 by guest geopolitically complex region edited by respected scholars in the field the collection comprises five new research contributions by established and early career researchers who have been significantly engaged in the himalayan region

[wechat for asha 210 rhur impacthub net](#) - May 04 2023

web title wechat for asha 210 author rhur impacthub net 2023 08 27 23 31 58 subject wechat for asha 210 keywords wechat for asha 210 created date

**wechat for asha 2055 rhur impacthub net** - Aug 27 2022

web wechat for asha 2055 download aplikasi bbm nokia asha 302 dojemohu gq db 7 52 pembaruan perangkat lunak dan download nokia download new whatsapp for nokia c3 free mobile apps mobile9 nokia asha 210 specs phone arena nokia asha 210 full phone specifications gsm arena wechat c2 pdf excido de download aplikasi alkitab

**wechat for asha 210 helpdesk bricksave com** - Jun 05 2023

web 2 2 wechat for asha 210 2022 07 12 handbook of large scale distributed computing in smart healthcare cambridge university press emergency radiology requires consistent timely and accurate imaging interpretation with the

**wechat for asha 210 speakings gestamp** - Jun 24 2022

web wechat for asha 210 you could buy handbook wechat for asha 210 or get it as soon as achievable still when realize you give a affirmative reply that you call for to get those every necessities in the likewise as having considerably currency access the wechat for asha 210 join that we have the money for here and check out the link

**wechatforasha210 mcarnoy book** - Dec 31 2022

web 2 wechat for asha 210 and x2 01 is not great microsoft community yesterday i have downloaded we chat my nokia x2 01 and on my sister phone asha 210 and there are huge

*wechat for asha 210 smis school co tz* - May 24 2022

web wechat for asha 210 1 omb no wechat for asha 210 original nokia asha 210 worldstarthink nokia announces bright and budget friendly asha 210 nokia asha 210 hands on engadget nokia asha 210 commercial nokia asha 210 charging 2 variants new nokia feature phone with 5gwifi hotspot whatsapp youtube supportnokia

*wechat for asha 210 uniport edu ng* - Feb 01 2023

web may 14 2023 wechat for asha 210 2 11 downloaded from uniport edu ng on may 14 2023 by guest foundation for care of the patient during the vulnerable period immediately following cardiac surgery a comprehensive resource this text serves as a foundation for nurses beginning to care for cardiac surgery patients as well

**a clayton kershaw dodgers split would be understandable los** - Feb 18 2022

web 20 hours ago unimaginable but understandable clayton kershaw pitching against the san francisco giants on sept 23 had his left shoulder operated on last month it was the first surgery of his career gina

**wechat for asha 210 phone cholaca com** - Mar 02 2023

web 2 wechat for asha 210 2021 08 13 user experience and usability duxu 2020 held as part of the 22nd international conference on human computer interaction hci 2020 in copenhagen denmark in july 2020 the conference was held virtually due to the covid 19 pandemic from a total of 6326 submissions a total of 1439 papers and 238 posters

**asher property on instagram 98 wireless available for** - Mar 22 2022

web 15 likes 2 comments asher property on may 12 2020 98 wireless available for sale and rent starting price 70 million ba

**wechat for asha 210 help environment harvard edu** - Apr 22 2022

web wechat for asha 210 if you ally habit such a referred wechat for asha 210 books that will have enough money you worth get the completely best seller from us currently from several preferred authors if you want to witty books lots of novels tale jokes and more fictions collections are with launched from best

*wechat for asha 210 dns1 bcca* - Sep 27 2022

web indulge in the present is wechat for asha 210 below in the trajectory of them is this wechat for asha 210 that can be your collaborator we settle for you this correct as expertly as straightforward airs to fetch those all wechat for asha 210 is obtainable in our novel assemblage an online access to it is

**wechat for asha 210 uniport edu ng** - Nov 29 2022

web apr 15 2023 wechat for asha 210 is available in our book collection an online access to it is set as public so you can get

it instantly our digital library saves in multiple countries allowing you to get the most less latency time to download any **wechat for asha 210 pdf blueskywildlife** - Jul 06 2023

web sep 15 2023 tiny grow old to gain access to this on line publication wechat for asha 210 pdf as without difficulty as review them wherever you are now neuroepigenomics in aging and disease raul delgado morales 2017 05 18

**tos store lathes co uk** - Apr 10 2023

web tos sn 40c and sn 50c lathes spare parts manual as sectional drawings electrical diagrams and reproductions of the frequently damaged screwcutting charts

**tos sn 32 40 50 63 71 c models pdf scribd** - May 11 2023

web tos sn 32 40 50 63 71 c models free download as pdf file pdf text file txt or read online for free the tos trencin lathe is a very popular large toolroom lathe that

**tos sn 40c and sn 50c parts manual store lathes co uk** - Oct 24 2021

web t1101f2 tos sn 40 sn45 sn 50 sn50 sn63 and sn77 lathes three detailed sales and technical specification and accessories catalogues early to late 26 pages all

tos sn40 sn50 pdf scribd - Aug 14 2023

web tos sn40 sn50 free download as pdf file pdf text file txt or read online for free tos lathe sn40 sn50

**tos sn 40 c manual lathe pdf ol wise edu** - Feb 25 2022

web jul 8 2021 surplex com en m tos sn 40 center lathe 680186 html you are looking for a used machine then you might be interested in this used machinery offe

**tos trencin manual pdf pdf metalworking industrial** - Mar 09 2023

web these manual lathes are from dealers in the uk and private sellers our novel trawler finds all the lathes ftos trencin sui 40 1000 straight bed lathe universal ram

**tos sn 40 45 50 lathe manual machine manuals** - Oct 04 2022

web cnc universal centre lathe sua 63 80 90 100 125 150 170 numeric machine application the sua numeric multi purpose centre lathe is a numerically

*model sn 40 store lathes co uk* - Jan 07 2023

web tos sn 40 and sn 50c lathes sales and technical specification and accessories catalogue 4 pages

**tos trencin sn 40 c 16 x 60 gap bed engine lathe w dro** - May 31 2022

web introduction tos sn 40 c manual lathe pdf 2023 rewriting caucasian history robert w thomson 1996 this book presents the two texts georgian and armenian in

*model sn40 store lathes co uk* - Jun 12 2023

web print code mt200b tos sn 40 sn 45 sn 50 sn 40b sn 45b and sn 50b lathes operator s instruction and maintenance manual and a separate parts manual the two

*16 swing 40 centers tos sn40 engine lathe youtube* - Jul 01 2022

web brand tos trencin model sn 40 c serial 440150911297 approx shipping weight 4 500 lbs approx shipping dimensions 124 l x 56 w x 68 h specifications swing

**tos sn40 sn45 sn50 lathes** - Nov 05 2022

web tos sn 40 45 50 lathe manual approximately 56 pages dealing with technical data technical description transporting erectiing the machine instructions for maintenance

tos sn 40 c manual lathe pdf 2023 red ortax - Apr 29 2022

web tos sn 40 c manual lathe is available in our digital library an online access to it is set as public so you can download it instantly our books collection spans in multiple countries

*tos sn 40c sn50c lathes operation manual* - Jul 13 2023

web tos sn 40c and sn 50c lathes spare parts manual as sectional drawings electrical diagrams and reproductions of the frequently damaged screwcutting charts 62 00

*pdf document filetype pdf 106 51 kb cc tos sn 40c* - Nov 24 2021

web tos sn 40c and sn 50c lathes spare parts manual as sectional drawings electrical diagrams and reproductions of the frequently damaged screwcutting charts price 62 00

**tos sn 50 c lathe manual united states tutorials step by step** - Dec 26 2021

web trens sk reaches leading places among world producers of universal center lathes to get tos sn 40 c manual lathe pdf you should follow the web link and download

**tos sui 40 50 manual pdf scribd** - Feb 08 2023

web lathe tos manual in english open navigation menu close suggestions search search en change language close menu language english selected save save tos sui 40

*tos sn40 sn45 sn50 parts manual store lathes co uk* - Dec 06 2022

web 58 00 tos sn40 sn45 and sn50 lathes manual german text print code mt200sn40 50 tos sn40 sn45 and sn50 lathes operation maintenance manual

tos sn40 sn45 and sn50 lathes manual german text - Sep 22 2021

**new tos sn40c 16 lathe bell machinery ltd** - Aug 02 2022

web jan 3 2018 16 swing 40 centers tos sn40 engine lathe machineryvalues inc 5 09k subscribers 9 3k views 5 years ago

5mt 16 23 1 2 x 40 tos engine gap

lathes tos a s pdf catalogs technical documentation - Sep 03 2022

web new tos sn40c 16 x 40 60 80 gap bed lathe swing over bed 16 swing in gap 23 1 2 bed length 40 60 80 swing over crosslide 8 1 2 crosslide travel 11 spindle

*tos sn 40 c manual lathe download only ol wise edu* - Mar 29 2022

web it is your totally own era to perform reviewing habit in the middle of guides you could enjoy now is tos sn 40 c manual lathe below tos sn 40 c manual lathe downloaded from

*tos sn 40 center lathe youtube* - Jan 27 2022

web oct 26 2022 posted on october 26 2022july 4 2023 by kaylee tos sn 50 c lathe manual tos sn 40c and sn 50c lathes operator s instruction and maintenance