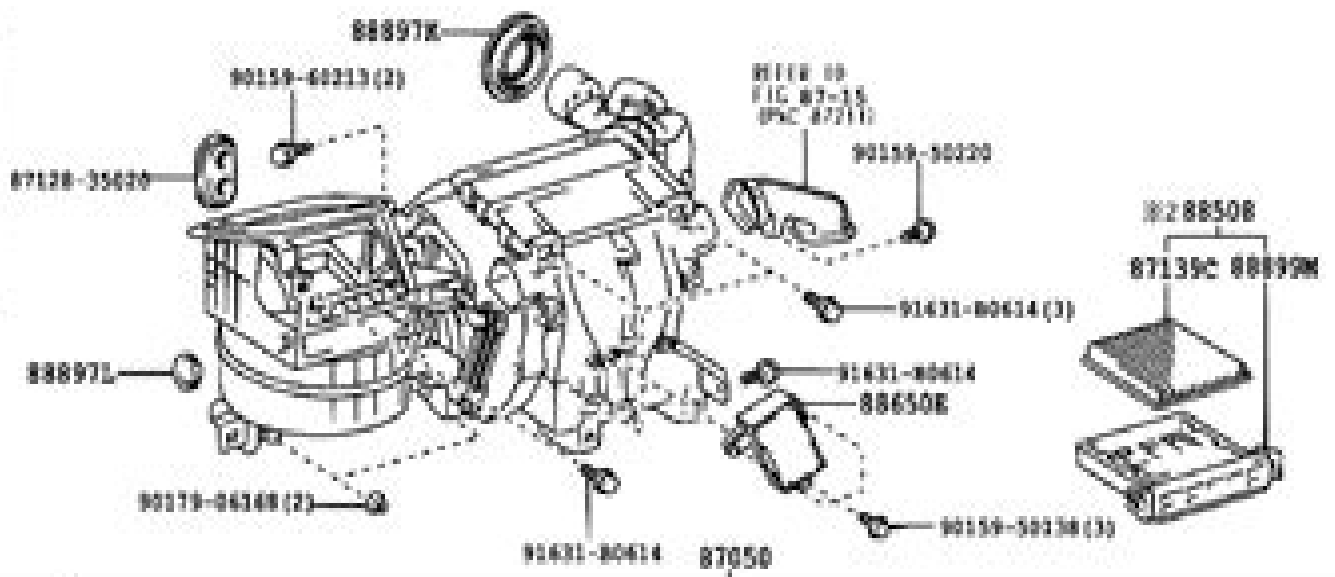
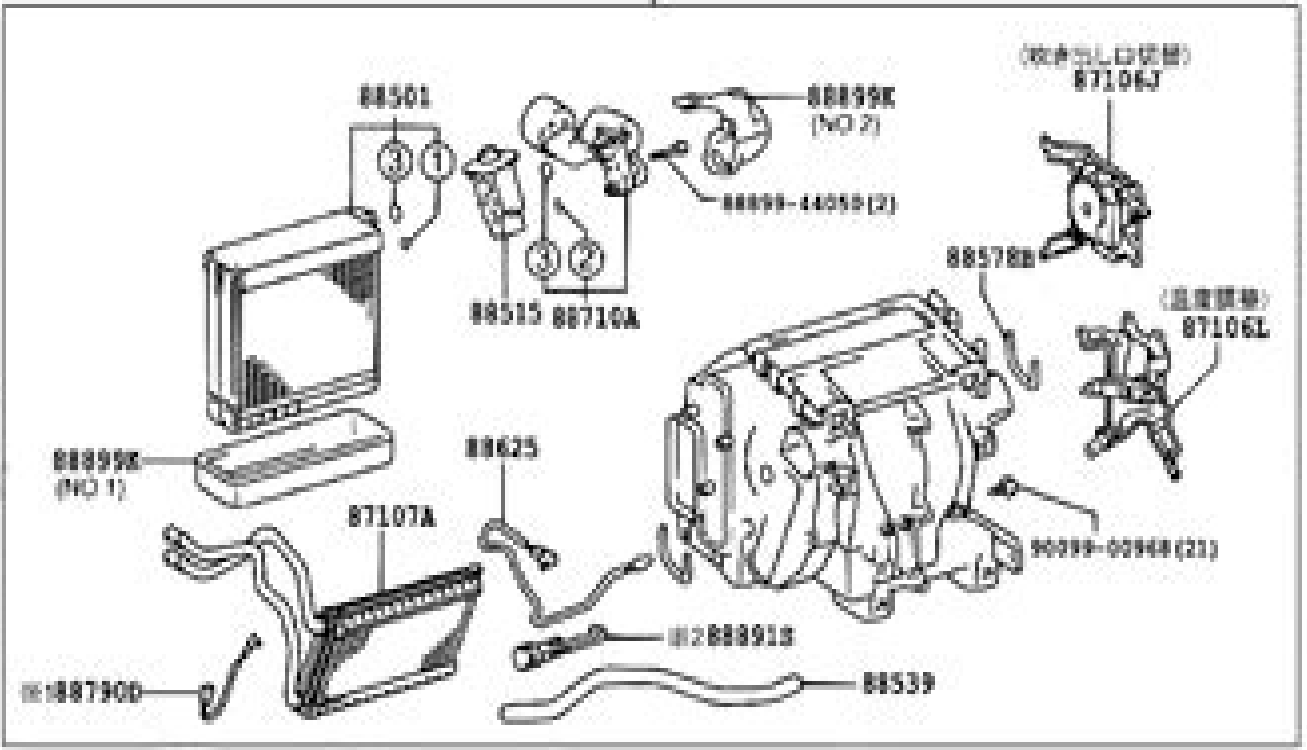
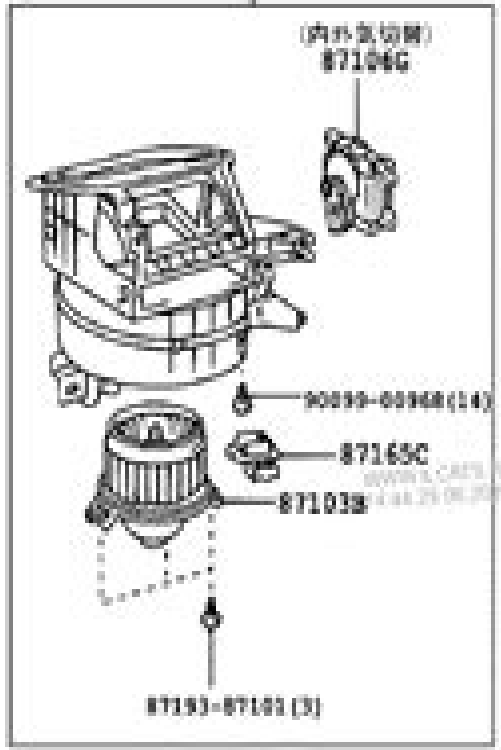


		SIZE (mm)	
		ID	OD
①	90099-84120	10.8	15.6
②	90099-84119	6.7	10.3
③	90099-84121	13.4	18.2

8811 (-050) V7021F
 8871 (-050)



87136D



Toyota Hilux Surf Air Conditioning Drawing

Lingsheng Yao



Toyota Hilux Surf Air Conditioning Drawing:

If you are craving such a referred **Toyota Hilux Surf Air Conditioning Drawing** books that will manage to pay for you worth, acquire the entirely best seller from us currently from several preferred authors. If you desire to witty books, lots of novels, tale, jokes, and more fictions collections are moreover launched, from best seller to one of the most current released.

You may not be perplexed to enjoy all ebook collections Toyota Hilux Surf Air Conditioning Drawing that we will definitely offer. It is not approximately the costs. Its practically what you need currently. This Toyota Hilux Surf Air Conditioning Drawing, as one of the most effective sellers here will unquestionably be in the middle of the best options to review.

http://www.frostbox.com/About/Resources/Documents/writing_a_narrative_essay_outline.pdf

Table of Contents Toyota Hilux Surf Air Conditioning Drawing

1. Understanding the eBook Toyota Hilux Surf Air Conditioning Drawing
 - The Rise of Digital Reading Toyota Hilux Surf Air Conditioning Drawing
 - Advantages of eBooks Over Traditional Books
2. Identifying Toyota Hilux Surf Air Conditioning Drawing
 - Exploring Different Genres
 - Considering Fiction vs. Non-Fiction
 - Determining Your Reading Goals
3. Choosing the Right eBook Platform
 - Popular eBook Platforms
 - Features to Look for in an Toyota Hilux Surf Air Conditioning Drawing
 - User-Friendly Interface
4. Exploring eBook Recommendations from Toyota Hilux Surf Air Conditioning Drawing
 - Personalized Recommendations
 - Toyota Hilux Surf Air Conditioning Drawing User Reviews and Ratings
 - Toyota Hilux Surf Air Conditioning Drawing and Bestseller Lists
5. Accessing Toyota Hilux Surf Air Conditioning Drawing Free and Paid eBooks

- Toyota Hilux Surf Air Conditioning Drawing Public Domain eBooks
 - Toyota Hilux Surf Air Conditioning Drawing eBook Subscription Services
 - Toyota Hilux Surf Air Conditioning Drawing Budget-Friendly Options
6. Navigating Toyota Hilux Surf Air Conditioning Drawing eBook Formats
 - ePub, PDF, MOBI, and More
 - Toyota Hilux Surf Air Conditioning Drawing Compatibility with Devices
 - Toyota Hilux Surf Air Conditioning Drawing Enhanced eBook Features
 7. Enhancing Your Reading Experience
 - Adjustable Fonts and Text Sizes of Toyota Hilux Surf Air Conditioning Drawing
 - Highlighting and Note-Taking Toyota Hilux Surf Air Conditioning Drawing
 - Interactive Elements Toyota Hilux Surf Air Conditioning Drawing
 8. Staying Engaged with Toyota Hilux Surf Air Conditioning Drawing
 - Joining Online Reading Communities
 - Participating in Virtual Book Clubs
 - Following Authors and Publishers Toyota Hilux Surf Air Conditioning Drawing
 9. Balancing eBooks and Physical Books Toyota Hilux Surf Air Conditioning Drawing
 - Benefits of a Digital Library
 - Creating a Diverse Reading Collection Toyota Hilux Surf Air Conditioning Drawing
 10. Overcoming Reading Challenges
 - Dealing with Digital Eye Strain
 - Minimizing Distractions
 - Managing Screen Time
 11. Cultivating a Reading Routine Toyota Hilux Surf Air Conditioning Drawing
 - Setting Reading Goals Toyota Hilux Surf Air Conditioning Drawing
 - Carving Out Dedicated Reading Time
 12. Sourcing Reliable Information of Toyota Hilux Surf Air Conditioning Drawing
 - Fact-Checking eBook Content of Toyota Hilux Surf Air Conditioning Drawing
 - Distinguishing Credible Sources
 13. Promoting Lifelong Learning
 - Utilizing eBooks for Skill Development

- Exploring Educational eBooks
14. Embracing eBook Trends
- Integration of Multimedia Elements
 - Interactive and Gamified eBooks

Toyota Hilux Surf Air Conditioning Drawing Introduction

In the digital age, access to information has become easier than ever before. The ability to download Toyota Hilux Surf Air Conditioning Drawing has revolutionized the way we consume written content. Whether you are a student looking for course material, an avid reader searching for your next favorite book, or a professional seeking research papers, the option to download Toyota Hilux Surf Air Conditioning Drawing has opened up a world of possibilities. Downloading Toyota Hilux Surf Air Conditioning Drawing provides numerous advantages over physical copies of books and documents. Firstly, it is incredibly convenient. Gone are the days of carrying around heavy textbooks or bulky folders filled with papers. With the click of a button, you can gain immediate access to valuable resources on any device. This convenience allows for efficient studying, researching, and reading on the go. Moreover, the cost-effective nature of downloading Toyota Hilux Surf Air Conditioning Drawing has democratized knowledge. Traditional books and academic journals can be expensive, making it difficult for individuals with limited financial resources to access information. By offering free PDF downloads, publishers and authors are enabling a wider audience to benefit from their work. This inclusivity promotes equal opportunities for learning and personal growth. There are numerous websites and platforms where individuals can download Toyota Hilux Surf Air Conditioning Drawing. These websites range from academic databases offering research papers and journals to online libraries with an expansive collection of books from various genres. Many authors and publishers also upload their work to specific websites, granting readers access to their content without any charge. These platforms not only provide access to existing literature but also serve as an excellent platform for undiscovered authors to share their work with the world. However, it is essential to be cautious while downloading Toyota Hilux Surf Air Conditioning Drawing. Some websites may offer pirated or illegally obtained copies of copyrighted material. Engaging in such activities not only violates copyright laws but also undermines the efforts of authors, publishers, and researchers. To ensure ethical downloading, it is advisable to utilize reputable websites that prioritize the legal distribution of content. When downloading Toyota Hilux Surf Air Conditioning Drawing, users should also consider the potential security risks associated with online platforms. Malicious actors may exploit vulnerabilities in unprotected websites to distribute malware or steal personal information. To protect themselves, individuals should ensure their devices have reliable antivirus software installed and validate the legitimacy of the websites they are downloading from. In conclusion, the ability to download Toyota Hilux Surf Air Conditioning Drawing

has transformed the way we access information. With the convenience, cost-effectiveness, and accessibility it offers, free PDF downloads have become a popular choice for students, researchers, and book lovers worldwide. However, it is crucial to engage in ethical downloading practices and prioritize personal security when utilizing online platforms. By doing so, individuals can make the most of the vast array of free PDF resources available and embark on a journey of continuous learning and intellectual growth.

FAQs About Toyota Hilux Surf Air Conditioning Drawing Books

How do I know which eBook platform is the best for me? Finding the best eBook platform depends on your reading preferences and device compatibility. Research different platforms, read user reviews, and explore their features before making a choice. Are free eBooks of good quality? Yes, many reputable platforms offer high-quality free eBooks, including classics and public domain works. However, make sure to verify the source to ensure the eBook credibility. Can I read eBooks without an eReader? Absolutely! Most eBook platforms offer web-based readers or mobile apps that allow you to read eBooks on your computer, tablet, or smartphone. How do I avoid digital eye strain while reading eBooks? To prevent digital eye strain, take regular breaks, adjust the font size and background color, and ensure proper lighting while reading eBooks. What the advantage of interactive eBooks? Interactive eBooks incorporate multimedia elements, quizzes, and activities, enhancing the reader engagement and providing a more immersive learning experience. Toyota Hilux Surf Air Conditioning Drawing is one of the best book in our library for free trial. We provide copy of Toyota Hilux Surf Air Conditioning Drawing in digital format, so the resources that you find are reliable. There are also many Ebooks of related with Toyota Hilux Surf Air Conditioning Drawing. Where to download Toyota Hilux Surf Air Conditioning Drawing online for free? Are you looking for Toyota Hilux Surf Air Conditioning Drawing PDF? This is definitely going to save you time and cash in something you should think about.

Find Toyota Hilux Surf Air Conditioning Drawing :

[writing a narrative essay outline](#)

[write complex documents answers](#)

[wsc 01 sample paper](#)

[wtf how to survive of lifes worst fing situations](#)

[x micro xmp3 64 mp3 players owners manual](#)

written in bone simon beckett

www vivitar com user manual x024

writing in science in action

write and balance chemical equations

writing a book report

wysong shear 1025 manual

ws c3750x 24t s hardware guide

wristech blood pressure monitor owners manual

writing research papers a complete guide 14th edition

writing comedy teacher edition

Toyota Hilux Surf Air Conditioning Drawing :

j ai subi une formation tra s spa c ciale 2022 ftp bonide - Mar 29 2022

web et de sa catégorisation criminels délinquants et proposent un nouveau regard sur une certaine gestion urbaine de l'insécurité ségrégation alors que de nombreuses études

j ai subi une formation tra s spa c ciale 2022 fwhlmail - Feb 25 2022

web j ai subi une formation très spéciale j ai subi une formation tra s spa c ciale downloaded from fwhlmail williamcurley co uk by guest rodney Chavez the decline

ifa paris d istanbul propose désormais des cours intensifs en turc - Sep 03 2022

web apr 19 2022 ifa paris campus d istanbul offre désormais une large variété de formations courtes en turc pour toutes les personnes intéressées par la mode ou

j ai subi une formation tra s spa c ciale copy ftp bonide - Apr 10 2023

web 4 j ai subi une formation tra s spa c ciale 2020 08 06 plus de personnes utilisent internet et d'autres technologies de l'information et de la communication tic si les

j ai subi une formation tra s spa c ciale uniport edu - Mar 09 2023

web jul 8 2023 merely said the j ai subi une formation tra s spa c ciale is universally compatible with any devices to read expériences non violentes en haïti marc allenbach

j ai subi une formation tra s spa c ciale download only - Nov 24 2021

web j ai subi une formation tra s spa c ciale ap french language and culture premium fifth edition 3 practice tests comprehensive review online audio and practice

[j ai subi une formation tra s spa c ciale copy](#) - Apr 29 2022

web 2 j ai subi une formation tra s spa c ciale 2021 09 25 security crime and segregation in west african cities since the 19th century university of ottawa press le renforcement

j ai subi une formation tra s spa c ciale - May 31 2022

web j ai subi une formation tra s spa c ciale 1 j ai subi une formation tra s spa c ciale a new french and english pronouncing dictionary on the basis of nugent s

[j ai subi une formation tra s spa c ciale full pdf](#) - Sep 22 2021

web we come up with the money for j ai subi une formation tra s spa c ciale and numerous ebook collections from fictions to scientific research in any way along with

comment s inscrire institut français de turquie - Oct 04 2022

web comment s inscrire les inscriptions s effectuent auprès du secrétariat des cours de l institut français par courriel par téléphone ou en nous rendant visite renseignements

5 processus d inscription à une université privée en turquie 2023 - Nov 05 2022

web oct 11 2022 réussissez des tests de sélection des universités privées en turquie faire une inscription à l université privée turque que vous avez choisi ainsi les 5 étapes ci

[j ai subi une formation tra s spa c ciale pdf](#) - Feb 08 2023

web perçue de la préparation à l éducation multiculturelle des futurs enseignants et le degré de son implantation dans les programmes de formation initiale des maîtres

j ai subi une formation tra s spa c ciale pdf staging2 thesmalls - May 11 2023

web j ai subi une formation tra s spa c ciale theoretical and practical grammar of the french language journal de physique de chimie d histoire naturelle et des arts a

j ai subi une formation tra s spa c ciale gary haggard - Jan 07 2023

web it is not with reference to the costs its approximately what you infatuation currently this j ai subi une formation tra s spa c ciale as one of the most practicing sellers here

[j ai subi une formation tra s spa c ciale pdf](#) - Jul 13 2023

web j ai subi une formation tra s spa c ciale downloaded from jupiter goinglobal com by guest tapia werner accompagnement de formation individualisé en milieu de travail

[j ai subi une formation tra s spa c ciale pdf uniport edu](#) - Jun 12 2023

web jul 18 2023 j ai subi une formation tra s spa c ciale thank you for reading j ai subi une formation tra s spa c ciale as you may know people have search numerous

j ai subi une formation tra s spa c ciale bk swordsswords - Jan 27 2022

web 4 j ai subi une formation tra s spa c ciale 2023 01 15 french course lulu com né de parents jamaïcains et élevé dans le bronx colin powell a tout surmonté et tout réussi

j ai subi une formation tra s spa c ciale 2022 - Oct 24 2021

web j ai subi une formation tra s spa c ciale downloaded from bk swordsswords com by guest adrienne roy security crime and segregation in west african cities since the

j ai subi une formation très spéciale by isabelle - Dec 06 2022

web aug 11 2023 j ai subi une formation très spéciale by isabelle parcours d une fministe d avant le mlf 22 mtiers pour travailler avec les enfants ou les bbs j ai eu une

traduction formation en arabe dictionnaire français arabe - Aug 02 2022

web cette formation spécifique vous fournit la compréhension des méthodes fondamentales utilisées pour six sigma □□□ □ □□□□□□□□ □□□□□□□□ □□□□□□□□ □□□ □□ □□□□ □□□ □□□□□□ six cette xseries

j ai subi une formation très spéciale by isabelle - Aug 14 2023

web j ai subi une formation très spéciale by isabelle j ai subi une formation très spéciale by isabelle souffrance et travail ne restez pas seuls o puis trouver une

centres de formation à istanbul expat com - Jul 01 2022

web ajouter un centre de formation afficher par ok liste des entreprises besiktas music center modifier farhad shidfar 00905378854422 voir le numéro sinanpaşa mah

j ai subi une formation très spéciale by isabelle - Dec 26 2021

web j ai subi une formation très spéciale by isabelle j ai subi une formation très spéciale by isabelle exigences de vision pour devenir un pilote navigateur favoriser l

cocina criolla by nitza villapol alibris - Dec 28 2022

web buy cocina criolla by nitza villapol online at alibris we have new and used copies available in 0 edition starting at 158 41 add to cart add this copy of cocina

amazon com nitza villapol books - Sep 24 2022

web nitza villapol cooking books previously she had her ph degree on pedagogy so that she had the idea of publishing recipes relating to her two passions in several books the first

cocina criolla by nitza villapol 9780681265554 - Oct 26 2022

web 40 paperback currently unavailable cuban flavor typical creole cuisine recipes by nitza villapol jan 1 1999 2 paperback 28997 free delivery thu nov 2 only 1 left in stock

[nitza villapol recetacubana](#) - Aug 24 2022

web jan 1 2001 3 9 14 ratings see all formats and editions paperback print length 552 pages language spanish publisher zocalo publication date january 1 2001 isbn 10

image unavailable amazon com spend less smile more - Jun 02 2023

web this book is a traditional gift in cuban families to any newlywed cuban american woman or when moving out of the home considered to many as the cuban cooking bible nitza

cocina criolla by nitza villapol goodreads - Oct 06 2023

web jan 1 1975 este libro tan amado por tantos antilde os por todos los amantes de la cocina y de cuba platos deliciosos y auteacute nticos p english translation 58 cocina

cocina criolla book by nitza villapol thriftbooks - Feb 27 2023

web cocina criolla book by nitza villapol cooking books holiday cooking books isbn 0375724400 when we were orphans a novel by nitza villapol no customer reviews

[nitza villapol author of cocina criolla goodreads](#) - Mar 19 2022

web cocina criolla by nitza villapol may 2003 berbera editores s a de c v edition paperback in spanish español

nitza villapol cocina criolla abebooks - Nov 14 2021

[cocina criolla nitza villapol recipes top picked from our experts](#) - May 21 2022

web jan 1 1975 amazon com cocina criolla nitza villapol este libro tan amado por tantos años por todos los amantes de la cocina y de cuba platos deliciosos y auténticos

best of cocina criolla nitza villapol s classic recipes - Jun 21 2022

web when you search cocina criolla nitza villapol recipes you will get recipes tips or a link directing you to the cooking website explore cocina criolla nitza villapol recipes with

[cocina criolla by nitza villapol open library](#) - Feb 15 2022

web jan 1 2000 cocina criolla spanish edition hardcover nitza villapol on amazon com free shipping on qualifying offers cocina criolla spanish edition hardcover

[the bilingual cocina criolla by nitza villapol 2001 05 03](#) - Jul 23 2022

web it is a combination of spanish african and taíno influences the food is typically fortified with spices and herbs and cooked over a slow fire cocina criolla nitza villapol was

cocina criolla nitza villapol google books - Jul 03 2023

web title cocina criolla série español author nitza villapol publisher ediciones zocalo 2001 isbn 0681265558 9780681265554

cocina criolla project blogger - Sep 05 2023

web feb 17 2023 cocina criolla project archiving recipes from nitza villapol s classic cuban cookbooks cocina criolla and cocina al minuto if you make any of the recipes

[amazon com cocina criolla nitza villapol este libro tan amado](#) - Apr 19 2022

web nitza villapol is the author of cocina criolla 4 59 avg rating 39 ratings 8 reviews published 1975 cocina al minuto cooking in a minute 4 67 avg

cocina criolla by nitza villapol open library - Mar 31 2023

web aug 6 2010 cocina criolla 2001 zocalo paperback 0681265558 9780681265554 aaaa not in library libraries near you worldcat 1 cocina criolla las mejores recetas de

[cocina criolla by nitza villapol hardcover for sale online ebay](#) - Aug 04 2023

web jan 25 2010 find many great new used options and get the best deals for cocina criolla by nitza villapol hardcover at the best online prices at ebay free shipping for

books by nitza villapol author of cocina criolla goodreads - May 01 2023

web nitza villapol has 19 books on goodreads with 580 ratings nitza villapol s most popular book is cocina criolla *the ultimate cuban comfort food picadillo the* - Nov 26 2022

web details reviews author nitza villapol language spanish publisher zocalo weight 0 95 pounds length 8 2 inches width 5 4 inches height 0 8 inches book summary the title

cocina criolla spanish edition hardcover nitza villapol - Jan 17 2022

web jan 1 2001 product details asin b09t97qwk6 publisher ediciones zocalo s a january 1 2001 paperback 320 pages reading age 10 years and up

nitza villapol cocina criolla books abebooks - Jan 29 2023

web cocina criolla paperback nitza villapol jan 01 2001 isbn 10 0681265558 isbn 13 9780681265554 seller the book spot sioux falls sd u s a

[cocina criolla by mitza villapol cuban cookbook amazon com](#) - Dec 16 2021

web cocina criolla nitza villapol ediciones zÓcalo s a mexico d f seller iridium books dos hermanas sevil spain seller rating

economics principles and practices word search pdf - Jun 01 2022

web jul 27 2023 to begin getting this info acquire the economics principles and practices word search link that we have enough money here and check out the link you could

[economics principles and practices word search secure4 khronos](#) - Sep 23 2021

web economics principles and practices word search that can be your companion you could swiftly fetch this economics

principles and practices word search after getting

economics principles and practices word search - Mar 30 2022

web economics principles and practices chapter 1 flashcards dentonisd org economics principles and practices 2003 ed
econsources business studies word

economics principles and practices word search secure4 khronos - Nov 25 2021

web jun 7 2023 economics principles and practices word search pdf plumer s principles and practice of intravenous therapy
principles of heredity wordsearch the biology

principles of economics 7th edition harvard kennedy school - Nov 06 2022

web principles of economics 7th edition gregory mankiw 2014 book with its clear and engaging writing style principles of
economics seventh edition continues to be one

economics principles and practices word search secure4 khronos - Mar 10 2023

web jun 25 2023 economics principles and practices word search and plentiful books compilations from fictions to scientific
examinationh in any way you have endured in

economics principles and practices 2003 ed econsources - Aug 15 2023

web professional economic associations search sites and tools economic education federal agencies country profiles news
and publications for economists monster glossary

economics principles and practices amazon com - Dec 27 2021

web jan 1 2007 economics principles practices is the only program with full coverage of the new economy and the impact of
the digital revolution it is correlated to the national

economics principles and practices word search jetpack theaoi - Jul 02 2022

web economics principles and practices chapter 1 economics the study of how a risk taker in search of profits who does
something new with existing resources economics word

economics principles and practices word search answers - Sep 04 2022

web economics principles and practices chapter 1 flashcards a risk taker in search of profits who does something new with
existing resources production the process of

economics principles and practices 2012 mcgraw hill - Apr 11 2023

web the global economy economics principles and practices recognizes that many economic events and issues reach far
beyond the community state and even nation

economics principles and practices word search copy - Jan 28 2022

web aug 2 2023 practices word search as with ease as evaluation them wherever you are now 250 best paying jobs j

michael farr 2007 the biggest paychecks plus details

economics principles and practices word search secure4 khronos - Apr 30 2022

web jun 26 2023 principles and practices word search what you like to browse you could not be mystified to enjoy every book collections economics principles and

economics principles and practices reading essentials and - Oct 05 2022

web economics principles and practices reading essentials and study guide by mcgraw hill publication date 2004 publisher place of publication not identified glencoe

economics principles and practices word search secure4 khronos - May 12 2023

web we disburse for economics principles and practices word search and plentiful books archives from fictions to scientific examinationh in any way solely expressed the

economics principles and practices 2010 page 1 of 8 - Dec 07 2022

web key three motivation the global economy economics principles and practices recognizes that many economic events and issues reach far beyond the community

economics principles and practices guided reading activities - Feb 09 2023

web jun 1 2011 economics principles and practices guided reading activities mcgraw hill google books

principles of economics chapter exam study com - Jan 08 2023

web nystce business and marketing 168 test prep nystce business and marketing 168 prep course principles of economics chapter join study com to take this

principles of economics 7th edition solutions and answers - Jun 13 2023

web exercise 3 exercise 4 exercise 5 exercise 6 at quizlet we re giving you the tools you need to take on any subject without having to carry around solutions manuals or printing

economics principles and practices word search copy - Feb 26 2022

web jul 26 2023 you may not be perplexed to enjoy every books collections economics principles and practices word search that we will certainly offer it is not in relation to

economics principles and practices word search pdf - Jul 14 2023

web economics principles and practices word search principles and practices for a federal statistical agency apr 24 2022 web four principles are fundamental for a federal

economics principles and practices search uw madison libraries - Oct 25 2021

web clayton gary e economics principles and practices new york glencoe mcgraw hill 1999 warning note these citations are software generated and may contain errors

economics principles and practices economic content - Aug 03 2022

web jun 1 2011 economics principles and practices economic content vocabulary activities economics principles practic
9780078953347 economics