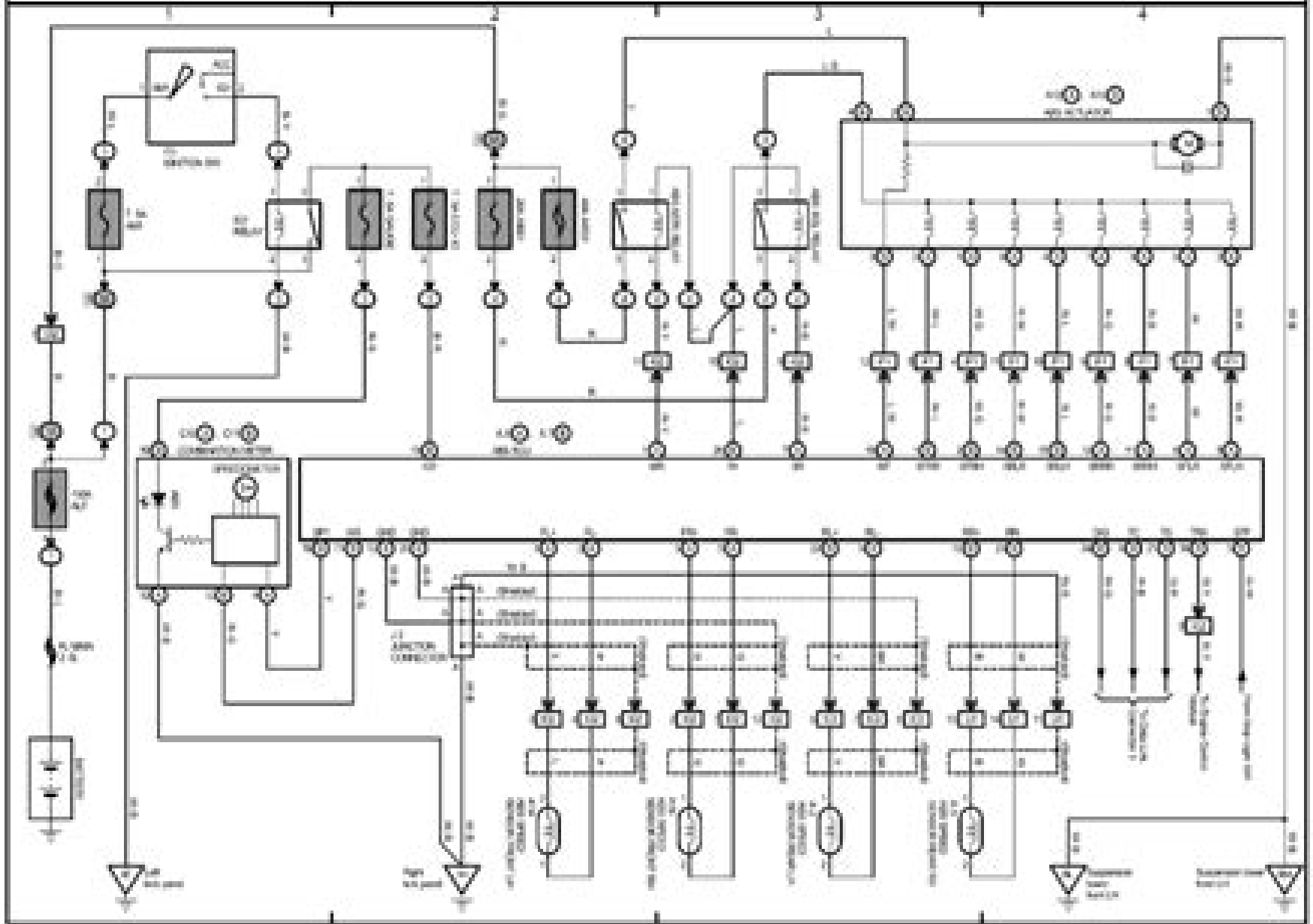


Power Source

ABB



Toyota Echo Wiring Diagram

**Toyota Jidōsha Hanbai Kabushiki
Kaisha**



Toyota Echo Wiring Diagram:

Toyota Echo/Yaris Automotive Repair Manual R. M. Jex, John Harold Haynes, 2009 Series NCP10 12 NCP90 91 93 4 cylinder with 1 3L 1 5L petrol **Toyota Electrical Wiring Diagram for U.S.A. & Canada** Toyota Jidōsha Hanbai Kabushiki Kaisha, 1976 **Toyota Corolla FF Electrical Wiring Diagram** , 1983 *Toyota Electrical Wiring Diagram, 1979 Model* Toyota Motor Corp, 1979 **Toyota** Toyota Motor Corporation. Overseas Service Dept, 1987 **Toyota Rav 4** Toyota Motor Corporation, 1994 **Toyota Electrical Wiring Diagram** Toyota Jidōsha Kabushiki Kaisha, 1987 **Toyota Electrical Wiring Diagram** Toyota Jidōsha Hanbai Kabushiki Kaisha, 1981 *Toyota Camry Electrical Wiring Diagram* , 1987 *Toyota Electrical Wiring Diagram, Starlet, 1983 Model* , 1982 Toyota Electrical Wiring Diagram Toyota Jidōsha Hanbai Kabushiki Kaisha, 1980 Toyota Electrical Wiring Diagram , 1986 *Toyota Electrical Wiring Diagram* , 1979 Toyota electrical wiring diagram, 1978 , **Boyce's Wiring Diagram Manual: Toyota, Camry SXV20R 2.2L 97-02, Camry MCV20R 97-202** , 2001 *Toyota Electrical Wiring Diagram Supplement* , 1989 *Toyota Electrical Wiring Diagram* Toyota Jidōsha Hanbai Kabushiki Kaisha, 1980 **Toyota Electrical Wiring Diagram** , 1976 This booklet contains electrical wiring diagrams for all commercial cars of Toyota vehicles except the U S A and Canada *Toyota Electrical Wiring Diagram* , 1983 Toyota Van Electrical Wiring Diagram Toyota Motor Corp, 1984

Yeah, reviewing a books **Toyota Echo Wiring Diagram** could accumulate your close associates listings. This is just one of the solutions for you to be successful. As understood, finishing does not suggest that you have extraordinary points.

Comprehending as with ease as pact even more than extra will give each success. bordering to, the statement as with ease as acuteness of this Toyota Echo Wiring Diagram can be taken as skillfully as picked to act.

http://www.frostbox.com/public/scholarship/Download_PDFS/Slimming_World_Food_Directory_24.pdf

Table of Contents Toyota Echo Wiring Diagram

1. Understanding the eBook Toyota Echo Wiring Diagram
 - The Rise of Digital Reading Toyota Echo Wiring Diagram
 - Advantages of eBooks Over Traditional Books
2. Identifying Toyota Echo Wiring Diagram
 - Exploring Different Genres
 - Considering Fiction vs. Non-Fiction
 - Determining Your Reading Goals
3. Choosing the Right eBook Platform
 - Popular eBook Platforms
 - Features to Look for in an Toyota Echo Wiring Diagram
 - User-Friendly Interface
4. Exploring eBook Recommendations from Toyota Echo Wiring Diagram
 - Personalized Recommendations
 - Toyota Echo Wiring Diagram User Reviews and Ratings
 - Toyota Echo Wiring Diagram and Bestseller Lists
5. Accessing Toyota Echo Wiring Diagram Free and Paid eBooks
 - Toyota Echo Wiring Diagram Public Domain eBooks
 - Toyota Echo Wiring Diagram eBook Subscription Services

- Toyota Echo Wiring Diagram Budget-Friendly Options
- 6. Navigating Toyota Echo Wiring Diagram eBook Formats
 - ePub, PDF, MOBI, and More
 - Toyota Echo Wiring Diagram Compatibility with Devices
 - Toyota Echo Wiring Diagram Enhanced eBook Features
- 7. Enhancing Your Reading Experience
 - Adjustable Fonts and Text Sizes of Toyota Echo Wiring Diagram
 - Highlighting and Note-Taking Toyota Echo Wiring Diagram
 - Interactive Elements Toyota Echo Wiring Diagram
- 8. Staying Engaged with Toyota Echo Wiring Diagram
 - Joining Online Reading Communities
 - Participating in Virtual Book Clubs
 - Following Authors and Publishers Toyota Echo Wiring Diagram
- 9. Balancing eBooks and Physical Books Toyota Echo Wiring Diagram
 - Benefits of a Digital Library
 - Creating a Diverse Reading Collection Toyota Echo Wiring Diagram
- 10. Overcoming Reading Challenges
 - Dealing with Digital Eye Strain
 - Minimizing Distractions
 - Managing Screen Time
- 11. Cultivating a Reading Routine Toyota Echo Wiring Diagram
 - Setting Reading Goals Toyota Echo Wiring Diagram
 - Carving Out Dedicated Reading Time
- 12. Sourcing Reliable Information of Toyota Echo Wiring Diagram
 - Fact-Checking eBook Content of Toyota Echo Wiring Diagram
 - Distinguishing Credible Sources
- 13. Promoting Lifelong Learning
 - Utilizing eBooks for Skill Development
 - Exploring Educational eBooks
- 14. Embracing eBook Trends

- Integration of Multimedia Elements
- Interactive and Gamified eBooks

Toyota Echo Wiring Diagram Introduction

Free PDF Books and Manuals for Download: Unlocking Knowledge at Your Fingertips In today's fast-paced digital age, obtaining valuable knowledge has become easier than ever. Thanks to the internet, a vast array of books and manuals are now available for free download in PDF format. Whether you are a student, professional, or simply an avid reader, this treasure trove of downloadable resources offers a wealth of information, conveniently accessible anytime, anywhere. The advent of online libraries and platforms dedicated to sharing knowledge has revolutionized the way we consume information. No longer confined to physical libraries or bookstores, readers can now access an extensive collection of digital books and manuals with just a few clicks. These resources, available in PDF, Microsoft Word, and PowerPoint formats, cater to a wide range of interests, including literature, technology, science, history, and much more. One notable platform where you can explore and download free Toyota Echo Wiring Diagram PDF books and manuals is the internet's largest free library. Hosted online, this catalog compiles a vast assortment of documents, making it a veritable goldmine of knowledge. With its easy-to-use website interface and customizable PDF generator, this platform offers a user-friendly experience, allowing individuals to effortlessly navigate and access the information they seek. The availability of free PDF books and manuals on this platform demonstrates its commitment to democratizing education and empowering individuals with the tools needed to succeed in their chosen fields. It allows anyone, regardless of their background or financial limitations, to expand their horizons and gain insights from experts in various disciplines. One of the most significant advantages of downloading PDF books and manuals lies in their portability. Unlike physical copies, digital books can be stored and carried on a single device, such as a tablet or smartphone, saving valuable space and weight. This convenience makes it possible for readers to have their entire library at their fingertips, whether they are commuting, traveling, or simply enjoying a lazy afternoon at home. Additionally, digital files are easily searchable, enabling readers to locate specific information within seconds. With a few keystrokes, users can search for keywords, topics, or phrases, making research and finding relevant information a breeze. This efficiency saves time and effort, streamlining the learning process and allowing individuals to focus on extracting the information they need. Furthermore, the availability of free PDF books and manuals fosters a culture of continuous learning. By removing financial barriers, more people can access educational resources and pursue lifelong learning, contributing to personal growth and professional development. This democratization of knowledge promotes intellectual curiosity and empowers individuals to become lifelong learners, promoting progress and innovation in various fields. It is worth noting that while accessing free Toyota Echo Wiring Diagram PDF books and manuals is convenient and cost-effective, it is vital to respect

copyright laws and intellectual property rights. Platforms offering free downloads often operate within legal boundaries, ensuring that the materials they provide are either in the public domain or authorized for distribution. By adhering to copyright laws, users can enjoy the benefits of free access to knowledge while supporting the authors and publishers who make these resources available. In conclusion, the availability of Toyota Echo Wiring Diagram free PDF books and manuals for download has revolutionized the way we access and consume knowledge. With just a few clicks, individuals can explore a vast collection of resources across different disciplines, all free of charge. This accessibility empowers individuals to become lifelong learners, contributing to personal growth, professional development, and the advancement of society as a whole. So why not unlock a world of knowledge today? Start exploring the vast sea of free PDF books and manuals waiting to be discovered right at your fingertips.

FAQs About Toyota Echo Wiring Diagram Books

How do I know which eBook platform is the best for me? Finding the best eBook platform depends on your reading preferences and device compatibility. Research different platforms, read user reviews, and explore their features before making a choice. Are free eBooks of good quality? Yes, many reputable platforms offer high-quality free eBooks, including classics and public domain works. However, make sure to verify the source to ensure the eBook credibility. Can I read eBooks without an eReader? Absolutely! Most eBook platforms offer webbased readers or mobile apps that allow you to read eBooks on your computer, tablet, or smartphone. How do I avoid digital eye strain while reading eBooks? To prevent digital eye strain, take regular breaks, adjust the font size and background color, and ensure proper lighting while reading eBooks. What the advantage of interactive eBooks? Interactive eBooks incorporate multimedia elements, quizzes, and activities, enhancing the reader engagement and providing a more immersive learning experience. Toyota Echo Wiring Diagram is one of the best book in our library for free trial. We provide copy of Toyota Echo Wiring Diagram in digital format, so the resources that you find are reliable. There are also many Ebooks of related with Toyota Echo Wiring Diagram. Where to download Toyota Echo Wiring Diagram online for free? Are you looking for Toyota Echo Wiring Diagram PDF? This is definitely going to save you time and cash in something you should think about. If you trying to find then search around for online. Without a doubt there are numerous these available and many of them have the freedom. However without doubt you receive whatever you purchase. An alternate way to get ideas is always to check another Toyota Echo Wiring Diagram. This method for see exactly what may be included and adopt these ideas to your book. This site will almost certainly help you save time and effort, money and stress. If you are looking for free books then you really should consider finding to assist you try this. Several of Toyota Echo Wiring Diagram are for sale to free while some are payable. If you arent sure if the books you

would like to download works with for usage along with your computer, it is possible to download free trials. The free guides make it easy for someone to free access online library for download books to your device. You can get free download on free trial for lots of books categories. Our library is the biggest of these that have literally hundreds of thousands of different products categories represented. You will also see that there are specific sites catered to different product types or categories, brands or niches related with Toyota Echo Wiring Diagram. So depending on what exactly you are searching, you will be able to choose e books to suit your own need. Need to access completely for Campbell Biology Seventh Edition book? Access Ebook without any digging. And by having access to our ebook online or by storing it on your computer, you have convenient answers with Toyota Echo Wiring Diagram To get started finding Toyota Echo Wiring Diagram, you are right to find our website which has a comprehensive collection of books online. Our library is the biggest of these that have literally hundreds of thousands of different products represented. You will also see that there are specific sites catered to different categories or niches related with Toyota Echo Wiring Diagram So depending on what exactly you are searching, you will be able to choose ebook to suit your own need. Thank you for reading Toyota Echo Wiring Diagram. Maybe you have knowledge that, people have search numerous times for their favorite readings like this Toyota Echo Wiring Diagram, but end up in harmful downloads. Rather than reading a good book with a cup of coffee in the afternoon, instead they juggled with some harmful bugs inside their laptop. Toyota Echo Wiring Diagram is available in our book collection an online access to it is set as public so you can download it instantly. Our digital library spans in multiple locations, allowing you to get the most less latency time to download any of our books like this one. Merely said, Toyota Echo Wiring Diagram is universally compatible with any devices to read.

Find Toyota Echo Wiring Diagram :

slimming world food directory 24

skil 1823 router user manual

ski doo skandic 1996 clutch

sliding microtome manual

ski doo tundra r 1999 service shop manual

sl saturn owners manual

sleeping with the boss

~~ski doo tundra ll 2 lt 1997 service manual~~

skully fourbery tome skully fourbery contre les sansvisage

slave trade triangle wordsearch

[slk roof repair manual](#)

[slider hamburger recipe baked in oven](#)

[ski doo rev xp 2011 2012 factory repair manual](#)

[skills practice chapter 10](#)

[ski doo mxz x 600 ho 2004 service shop manual](#)

Toyota Echo Wiring Diagram :

Elsevier eBook on VitalSource, 8th Edition Anatomy & Physiology - Elsevier eBook on VitalSource, 8th Edition. by Kevin T. Patton, PhD and Gary A. Thibodeau, PhD. Elsevier eBook on VitalSource. cover ... Anatomy & Physiology by Patton PhD, Kevin T. Mosby; 8th edition (April 10, 2012). Language, English. Hardcover, 1240 pages ... The best book ever, poorly packaged!! Reviewed in the United Kingdom on May ... Anatomy and Physiology by Patton & Thibodeau If you are looking for an actual anatomy of the human body in pictures, then this is the book for you. It is very nice and vivid. I am thankful I bought ... Anatomy and Physiology Online for The Human ... Anatomy and Physiology Online for The Human Body in Health & Disease, 8th Edition. by Kevin T. Patton, PhD, Frank B. ... Physiology Online for The Human Body in ... Anatomy & Physiology 8th Edition Patton A book that has been read but is in good condition. Very minimal damage to the cover including scuff marks, but no holes or tears. Essentials of Anatomy and Physiology, 8th Edition The signature reader approach to Anatomy and Physiology! The student-friendly language and engaging art style of this text offer a wealth of learning ... Anatomy and Physiology by Patton & Thibodeau, 8th Edition Anatomy and Physiology by Patton & Thibodeau, 8th Edition. The code inside the book is not used. It also comes with brief atlas of the human body book. The Human Body in Health & Disease - Softcover: 8th edition Oct 3, 2023 — Kevin T. Patton, PhD, Professor Emeritus, Life Sciences, St. Charles Community College Cottleville, MO Professor of Human Anatomy & Physiology ... Anatomy and Physiology Online for ... Anatomy and Physiology Online for Anatomy and Physiology (Access Code) by Patton PhD, Kevin T.; Thibodeau PhD, Gary A ... 8th edition. 4 pages. 9.00x0.01x6.00 ... Kenmore Service Manual | Get the Immediate PDF ... Kenmore Service Manual for ANY Kenmore model. We offer PDF and Booklet service and repair manuals for all brands and models. Download Support Manuals Download Use & Care Guides. All the information you need to operate and maintain your Kenmore Floorcare product—downloadable for your convenience. To find the ... I am looking for a service manual for a Kenmore Elite Aug 16, 2022 — I am looking for a service manual for a Kenmore Elite 795.74025.411. Contractor's Assistant: Do you know the model of your Kenmore ... Kenmore 158.1781 158.1782 Service Manual Kenmore 158.1781 158.1782 service and repair manual. 18 pages. PDF download We also have a printing service. The printed and bound manual is available with ... Kenmore Elite 66513633100 trash compactor manual Download the manual for model Kenmore Elite 66513633100 trash compactor. Sears Parts Direct

has parts, manuals & part diagrams for all types of repair ... I am trying to locate a service manual for the Kalmar AC Aug 18, 2022 — I am trying to locate a service manual for the Kalmar AC ET30 EV PNF. Are you able to help me? Serial number 009763A. I - Answered by a ... Kenmore Air: Land & Seaplane Flights | Tours & Charters Kenmore Air flies from Seattle to destinations throughout the San Juan Islands, Victoria & BC. Book flights, scenic tours and charters. Does anyone have a digital copy of the Singer Service ... Does anyone have a digital copy of the Singer Service Manual for a model 237? ... Does anyone know how to find the owners manual for a Kenmore ... Stryker Transport 5050 Stretcher chair Service Manual | PDF Home; All Categories; General · Beds/Stretchers/Mattresses · Stretcher · Stryker - Transport · Documents; 5050 Stretcher chair Service Manual ... Social Studies Chapter 4, Lesson 3, Scott Foresman Spanish explorer who explored what is now Texas in 1528. Francisco Vásquez de Coronado. Spanish explorer of the American southwest; searched for the Cibola ... Scott Foresman Texas Social Studies Grade 4 AudioText ... Professional recordings of the Pupil Edition aid in comprehension and help develop listening skills. Dramatic Readings of the "You Are THERE" Passages allow ... scott foresman grade 5 chapter 4 social studies Flashcards A settlement ruled by another country. columbian extange. The movement of people, food, livestock, ... Texas enVision MATH 4 answers & resources Texas enVision MATH 4 grade 4 workbook & answers help online. Grade: 4, Title: Texas enVision MATH 4, Publisher: Scott Foresman-Addison Wesley, ... Scott foresman social studies grade 4 Scott Foresman Social Studies Regions Grade 4 Chapter 4. Created by ... Texas students use for U.S. History. Includes fill-in-the-blanks ... Scott Foresman-Addison Wesley enVisionMATH 4 Scott Foresman-Addison Wesley enVisionMATH 4 grade 4 workbook & answers help online. Grade: 4, Title: Scott Foresman-Addison Wesley enVisionMATH 4, ... Scott Foresman Social Studies: Texas Edition This book is working great with my Texas TEKS curriculum and follows along well with my lesson plans. I would recommend it for home or public schooling... 4 ... Scott foresman social studies Scott Foresman Social Studies Grade 4 Chapter 4 Lesson 1 Study Guide ... Texas students use for U.S. History. Includes fill-in-the-blanks ... Reading Street 4 2 Grade by Scott Foresman Reading Street, Grade 2.2: Decodable Practice Readers Units 4-6 by Scott Foresman and a great selection of related books, art and collectibles available now ... Reading Street 4 2 Grade Unit by Scott Foresman Reading Street, Grade 2.2: Decodable Practice Readers Units 4-6 ... Houston, TX, U.S.A.. Seller Rating: 5-star rating. Used - Softcover Condition: Good.