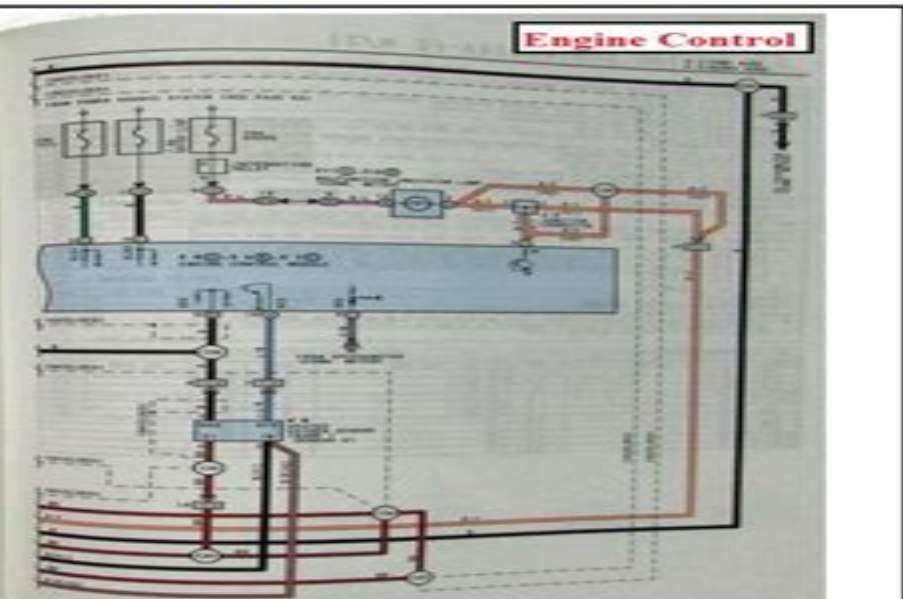
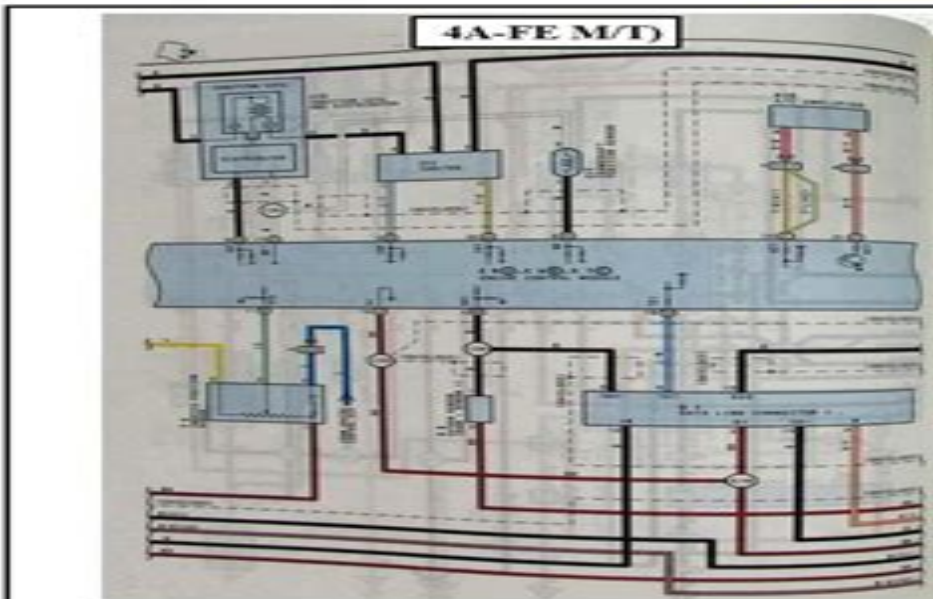
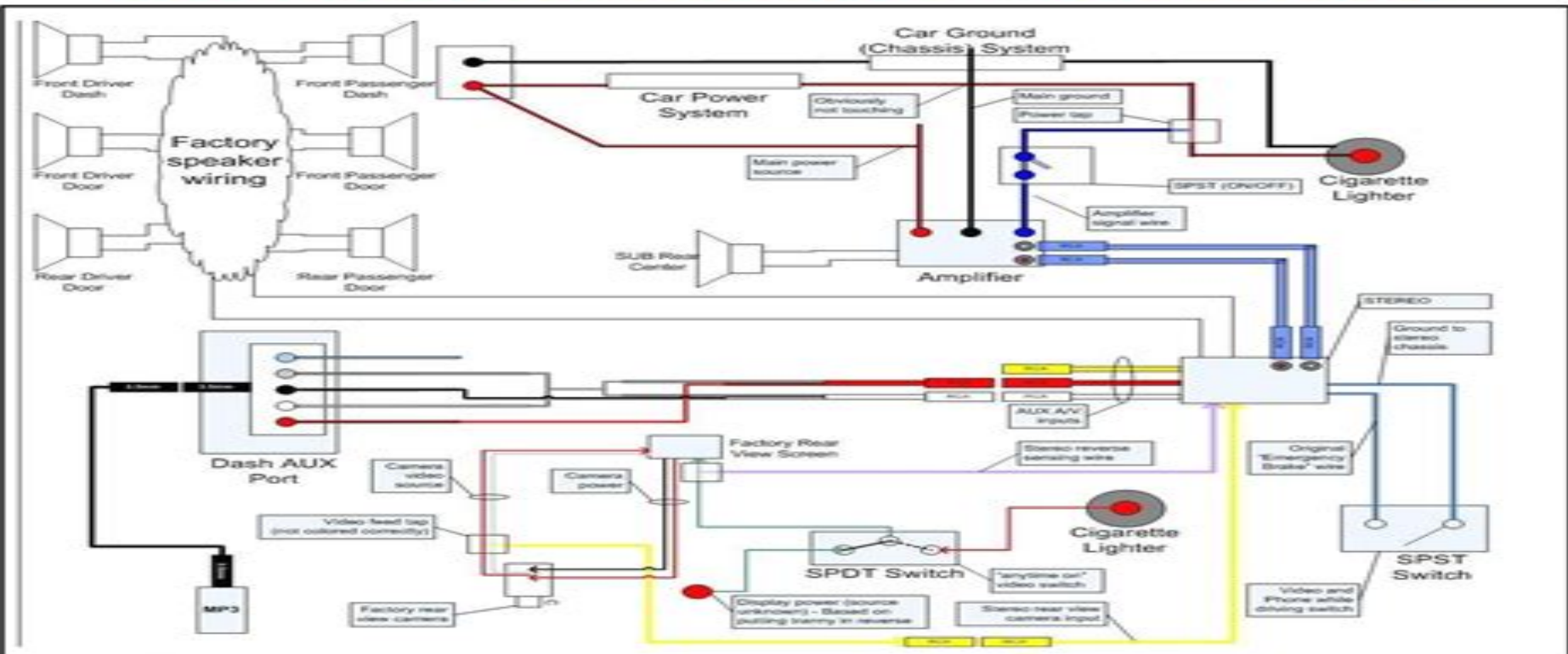


# TOYOTA COROLLA ELECTRIC WIRING DIAGRAM



# Toyota Corolla 4a C Wiring Guide

**N Noddings**



## **Toyota Corolla 4a C Wiring Guide:**

*Chilton's Toyota Corolla 1970-87 Repair Manual* Chilton Book Company, 1995 Total Car Care is the most complete step by step automotive repair manual you ll ever use All repair procedures are supported by detailed specifications exploded views and photographs

**Toyota Corolla Service Manual, 1980, 1981, 1982, 1983** ,1983 The Toyota Truck Land Cruiser Owner s Bible TM is the authoritative companion book for your Toyota truck whether it s a heavy hauling pickup rugged off road FJ40 or a new Land Cruiser that s never left pavement Author veteran truck mechanic and off road expert Moses Ludel has written the only comprehensive source of information for Toyota Trucks and Land Cruisers a history buyer s guide service manual and high performance tuning book all in one Discover every aspect of Toyota trucks from their origins in 1958 to the latest technological advances You ll learn tips for buying the right new or used truck and which accessories make sense for your needs Step by step procedures with hundreds of photos cover basic maintenance and more complicated work like tune ups valve adjustments brake jobs and installing aftermarket suspension lift kits Get the hot set up for your truck whether you want low end torque or high RPM power Moses gives specific tuning recommendations for engines from the early inline 6s to the advanced 4 5L 24 valve DJ engine He shares expert insights into the best high performance components and the latest technology from Toyota Racing Development You ll also find suspension and chassis modifications and the best tire and wheel combinations

**Chilton's Repair & Tune-up Guide, Toyota Corolla/Carina, Tercel/Starlet, 1970-84** Chilton Book Company, 1985

*Motor Imported Car Repair Manual* ,1987

Chilton's Import Car Repair Manual, 1985 ,1984

**Chilton's Import Car Manual** ,1991

*Chilton's Repair & Tune-up Guide, Toyota, 1970 to 1979* Chilton Book Company, Kerry A. Freeman, Richard J. Rivele, John M. Baxter, 1979

**Chilton's Import Car Manual, 1992-1996** ,1995

Automoblies Foreign Maintenance and repair

**Chilton's Import Car Manual** Chilton Book Company, 1987

**Chilton's Import Car Manual 1993** ,1987 Covers all major cars imported into the U S and Canada and includes specifications a troubleshooting guide and maintenance and repair instructions

Chilton's Import Auto Service Manual ,2000 Contains general information for technicians on the specifications MIL resetting and DTC retrieval accessory drive belts timing belts brakes oxygen sensors electric cooling fans and heater cores of twenty one types of import cars

Road and Track ,1983

The Autocar ,1969-05

*Cars & Parts* ,1986

**Motor Cycling and Motoring** ,1969-03

*Amateur Gardening* ,1972

**The Wall Street Journal** ,1997

**Toyota Corolla FF Electrical Wiring Diagram** ,1983

Toyota Corolla Repair Manual, 1982 ,1981

*1983 Toyota Corolla Electrical Wiring Diagram* Toyota Jidōsha Kōgyō Kabushiki Kaisha, 1982

Recognizing the way ways to acquire this ebook **Toyota Corolla 4a C Wiring Guide** is additionally useful. You have remained in right site to start getting this info. get the Toyota Corolla 4a C Wiring Guide member that we manage to pay for here and check out the link.

You could purchase lead Toyota Corolla 4a C Wiring Guide or get it as soon as feasible. You could speedily download this Toyota Corolla 4a C Wiring Guide after getting deal. So, subsequently you require the books swiftly, you can straight acquire it. Its for that reason certainly simple and so fats, isnt it? You have to favor to in this sky

<http://www.frostbox.com/results/virtual-library/index.jsp/Thompson%20Chain%20Reference%20Bible%20Fifth%20Improved%20Edition.pdf>

## **Table of Contents Toyota Corolla 4a C Wiring Guide**

1. Understanding the eBook Toyota Corolla 4a C Wiring Guide
  - The Rise of Digital Reading Toyota Corolla 4a C Wiring Guide
  - Advantages of eBooks Over Traditional Books
2. Identifying Toyota Corolla 4a C Wiring Guide
  - Exploring Different Genres
  - Considering Fiction vs. Non-Fiction
  - Determining Your Reading Goals
3. Choosing the Right eBook Platform
  - Popular eBook Platforms
  - Features to Look for in an Toyota Corolla 4a C Wiring Guide
  - User-Friendly Interface
4. Exploring eBook Recommendations from Toyota Corolla 4a C Wiring Guide
  - Personalized Recommendations
  - Toyota Corolla 4a C Wiring Guide User Reviews and Ratings
  - Toyota Corolla 4a C Wiring Guide and Bestseller Lists

5. Accessing Toyota Corolla 4a C Wiring Guide Free and Paid eBooks
  - Toyota Corolla 4a C Wiring Guide Public Domain eBooks
  - Toyota Corolla 4a C Wiring Guide eBook Subscription Services
  - Toyota Corolla 4a C Wiring Guide Budget-Friendly Options
6. Navigating Toyota Corolla 4a C Wiring Guide eBook Formats
  - ePub, PDF, MOBI, and More
  - Toyota Corolla 4a C Wiring Guide Compatibility with Devices
  - Toyota Corolla 4a C Wiring Guide Enhanced eBook Features
7. Enhancing Your Reading Experience
  - Adjustable Fonts and Text Sizes of Toyota Corolla 4a C Wiring Guide
  - Highlighting and Note-Taking Toyota Corolla 4a C Wiring Guide
  - Interactive Elements Toyota Corolla 4a C Wiring Guide
8. Staying Engaged with Toyota Corolla 4a C Wiring Guide
  - Joining Online Reading Communities
  - Participating in Virtual Book Clubs
  - Following Authors and Publishers Toyota Corolla 4a C Wiring Guide
9. Balancing eBooks and Physical Books Toyota Corolla 4a C Wiring Guide
  - Benefits of a Digital Library
  - Creating a Diverse Reading Collection Toyota Corolla 4a C Wiring Guide
10. Overcoming Reading Challenges
  - Dealing with Digital Eye Strain
  - Minimizing Distractions
  - Managing Screen Time
11. Cultivating a Reading Routine Toyota Corolla 4a C Wiring Guide
  - Setting Reading Goals Toyota Corolla 4a C Wiring Guide
  - Carving Out Dedicated Reading Time
12. Sourcing Reliable Information of Toyota Corolla 4a C Wiring Guide
  - Fact-Checking eBook Content of Toyota Corolla 4a C Wiring Guide
  - Distinguishing Credible Sources
13. Promoting Lifelong Learning

- Utilizing eBooks for Skill Development
  - Exploring Educational eBooks
14. Embracing eBook Trends
- Integration of Multimedia Elements
  - Interactive and Gamified eBooks

### **Toyota Corolla 4a C Wiring Guide Introduction**

Free PDF Books and Manuals for Download: Unlocking Knowledge at Your Fingertips In today's fast-paced digital age, obtaining valuable knowledge has become easier than ever. Thanks to the internet, a vast array of books and manuals are now available for free download in PDF format. Whether you are a student, professional, or simply an avid reader, this treasure trove of downloadable resources offers a wealth of information, conveniently accessible anytime, anywhere. The advent of online libraries and platforms dedicated to sharing knowledge has revolutionized the way we consume information. No longer confined to physical libraries or bookstores, readers can now access an extensive collection of digital books and manuals with just a few clicks. These resources, available in PDF, Microsoft Word, and PowerPoint formats, cater to a wide range of interests, including literature, technology, science, history, and much more. One notable platform where you can explore and download free Toyota Corolla 4a C Wiring Guide PDF books and manuals is the internet's largest free library. Hosted online, this catalog compiles a vast assortment of documents, making it a veritable goldmine of knowledge. With its easy-to-use website interface and customizable PDF generator, this platform offers a user-friendly experience, allowing individuals to effortlessly navigate and access the information they seek. The availability of free PDF books and manuals on this platform demonstrates its commitment to democratizing education and empowering individuals with the tools needed to succeed in their chosen fields. It allows anyone, regardless of their background or financial limitations, to expand their horizons and gain insights from experts in various disciplines. One of the most significant advantages of downloading PDF books and manuals lies in their portability. Unlike physical copies, digital books can be stored and carried on a single device, such as a tablet or smartphone, saving valuable space and weight. This convenience makes it possible for readers to have their entire library at their fingertips, whether they are commuting, traveling, or simply enjoying a lazy afternoon at home. Additionally, digital files are easily searchable, enabling readers to locate specific information within seconds. With a few keystrokes, users can search for keywords, topics, or phrases, making research and finding relevant information a breeze. This efficiency saves time and effort, streamlining the learning process and allowing individuals to focus on extracting the information they need. Furthermore, the availability of free PDF books and manuals fosters a culture of continuous learning. By removing financial barriers, more people can access educational resources and pursue lifelong learning, contributing to

personal growth and professional development. This democratization of knowledge promotes intellectual curiosity and empowers individuals to become lifelong learners, promoting progress and innovation in various fields. It is worth noting that while accessing free Toyota Corolla 4a C Wiring Guide PDF books and manuals is convenient and cost-effective, it is vital to respect copyright laws and intellectual property rights. Platforms offering free downloads often operate within legal boundaries, ensuring that the materials they provide are either in the public domain or authorized for distribution. By adhering to copyright laws, users can enjoy the benefits of free access to knowledge while supporting the authors and publishers who make these resources available. In conclusion, the availability of Toyota Corolla 4a C Wiring Guide free PDF books and manuals for download has revolutionized the way we access and consume knowledge. With just a few clicks, individuals can explore a vast collection of resources across different disciplines, all free of charge. This accessibility empowers individuals to become lifelong learners, contributing to personal growth, professional development, and the advancement of society as a whole. So why not unlock a world of knowledge today? Start exploring the vast sea of free PDF books and manuals waiting to be discovered right at your fingertips.

### **FAQs About Toyota Corolla 4a C Wiring Guide Books**

How do I know which eBook platform is the best for me? Finding the best eBook platform depends on your reading preferences and device compatibility. Research different platforms, read user reviews, and explore their features before making a choice. Are free eBooks of good quality? Yes, many reputable platforms offer high-quality free eBooks, including classics and public domain works. However, make sure to verify the source to ensure the eBook credibility. Can I read eBooks without an eReader? Absolutely! Most eBook platforms offer web-based readers or mobile apps that allow you to read eBooks on your computer, tablet, or smartphone. How do I avoid digital eye strain while reading eBooks? To prevent digital eye strain, take regular breaks, adjust the font size and background color, and ensure proper lighting while reading eBooks. What the advantage of interactive eBooks? Interactive eBooks incorporate multimedia elements, quizzes, and activities, enhancing the reader engagement and providing a more immersive learning experience. Toyota Corolla 4a C Wiring Guide is one of the best book in our library for free trial. We provide copy of Toyota Corolla 4a C Wiring Guide in digital format, so the resources that you find are reliable. There are also many Ebooks of related with Toyota Corolla 4a C Wiring Guide. Where to download Toyota Corolla 4a C Wiring Guide online for free? Are you looking for Toyota Corolla 4a C Wiring Guide PDF? This is definitely going to save you time and cash in something you should think about.

**Find Toyota Corolla 4a C Wiring Guide :****thompson chain reference bible fifth improved edition**

[thomson telecom ce21880ge3-b manual](#)

[thomas bus ignition switch wiring](#)

[three phase motor testing procedures](#)

[thyroid biopsy report atypical cells](#)

[ti 84 plus silver edition batteries](#)

**through the woods****three day coconut cake recipe****thirty eight witnesses****tico knuckle boom parts manual**

[thwaites dumper parts manual](#)

**threshold t100 owners manual****threepack of threesomes mfm menage 3pack erotic bundle****thule euroclassic pro 903**

[throttled novella men of inked book english edition](#)

**Toyota Corolla 4a C Wiring Guide :****bath bombs a beginner s guide to making amazing bath bombs and bathtub** - Jan 12 2022

web bath bombs a beginner s guide to making amazing bath bombs and bathtub treats erica evans find out how with bath bombs beginner s guide to making amazing bath bombs and bathtub treats

[how to make bath bombs for beginners good housekeeping](#) - Jul 18 2022

web feb 7 2023 1 cup baking soda 1 2 cup of citric acid 1 2 cup cornstarch 1 2 cup of epsom salt optional 2 tsp essential oil of your choice we love eucalyptus rose and lavender 2 tbsp emollient oil such

[bathtub treats a guide to making bath bombs truffles and](#) - Apr 26 2023

web jul 11 2018 bathtub treats a guide to making bath bombs truffles and melts at home using all natural skin nourishing ingredients kindle edition by courtney laura k download it once and read it on your kindle device pc phones or tablets

[how to make bath bombs at home using this easy diy recipe byrdie](#) - Nov 21 2022

web dec 12 2022 how to make your own bath bombs bath bomb recipe ingredients and materials almost all bath bomb



recipes call for the same ingredients and measurements with a few occasional exceptions the key to great bath bombs is citric acid which isn't hard to find online there are of course alternatives for those with sensitive skin

**4 ways to make bath bombs wikkihow** - Aug 19 2022

web jan 17 2023 makes 4 to 8 small bombs or 2 large bombs ½ cup 120 ml powdered citric acid 1 cup 240 ml baking soda ¾ cup 180 ml cornstarch 1 4 cup 60 ml epsom salts optional food coloring several drops optional essential oils several drops optional water or olive oil to dampen

bathtub treats a guide to making bath bombs bath truffles and bath - Jun 28 2023

web jul 15 2018 buy bathtub treats a guide to making bath bombs bath truffles and bath melts at home using all natural skin nourishing ingredients diy bath bomb recipes by courtney laura k isbn 9781723071126 from amazon s book store everyday low prices and free delivery on eligible orders

*bathtub treats a guide to making bath bombs truffles and* - May 28 2023

web jul 15 2018 buy bathtub treats a guide to making bath bombs truffles and melts at home using all natural skin nourishing ingredients by courtney laura k isbn 9781653653911 from amazon s book store everyday low

**bathtub treats a guide to making bath bombs truffles and** - Aug 31 2023

web jul 15 2018 over 35 amazing bath bomb bath truffle and bath melt recipes with cheap easy to get ingredients great smelling recipes for relaxation detoxification skin care and pain relief how and when to add essential oils colorants herbs and other natural additives

**how to make bath bombs like lush at home gathered** - Feb 10 2022

web dec 14 2021 the two essential ingredients you need to make bath bombs are citric acid and bicarbonate of soda these are the two things that react together to make the fizz anything else you add like colour scent dried petals oils or epsom salts are all bonus extras that make your bath nicer

bathtub treats a guide to making bath bombs bath truffles and bath - Jul 30 2023

web jul 15 2018 bathtub treats a guide to making bath bombs bath truffles and bath melts at home using all natural skin nourishing ingredients diy bath bomb recipes courtney laura k on amazon com free shipping on qualifying offers

*how to make bath bombs bath bomb recipe youtube* - Apr 14 2022

web jul 19 2022 1 1k 74k views 1 year ago for the full instructions visit onelittleproject com how to m create a spa like experience at home as you learn how to make a bath bomb with our easy

**make it fizz a guide to making bathtub treats soapequipment** - Jun 16 2022

web make it fizz contains 24 recipes for bath bombs bubbly bars and other bath treats from the queen of fizz holly port holly gives you a step by step guide on how to mix and test your mixture before making bath bombs she has also included

troubleshooting tips on some of the most common issues that plague bb makers

**how to make amazing homemade bath bombs bellatory** - Feb 22 2023

web jul 5 2023 learn how to make homemade bath bombs in various shapes and colours make lemon orange fresh pine lavender and rose bath bombs and mix and match colours and scents from floral to fresh to fruity

**make it fizz a guide to making bathtub treats goodreads** - Oct 21 2022

web may 4 2014 in make it fizz a guide to making bathtub treats holly port will explain the easiest way to make bath bombs so that you don t have the challenges you may have had in the past with other recipes chock full of easy to understand instructions and full color pictures for the 24 recipes included you are sure to succeed with this book

**bathtub treats a guide to making bath bombs truffles** - Mar 26 2023

web jul 11 2018 this comprehensive guide teaches how to make different kinds of bath and shower products to pamper your skin and to give to friends and family packed full of amazing recipes with simple and clear instructions you are sure to succeed with bathtub a guide to making bath bombs bath truffles and bath melts at home using all

**bathtub treats a guide to making bath bombs truffles and** - Dec 23 2022

web packed full of amazing recipes with simple and clear instructions you are sure to succeed with bathtub treats a guide to making bath bombs bath truffles and bath melts at home using all natural skin nourishing ingredients regardless of your skill level you will discover how to make beautiful bath bombs that you can add herbs spices or

*6 essential tips for making bath bombs lessons from a beginner* - Mar 14 2022

web aug 12 2021 making bath bombs is a worthwhile adventure in crafting for self care gift giving avoid common pitfalls with these beginner lessons 6 essential tips for making bath bombs lessons from a beginner rootsy network

*how to make bath bombs the ultimate guide professional tips* - May 16 2022

web mar 11 2018 detailed tutorial on how to make bath bombs with 2 recipe examples my favorite foaming recipe and basic bath bomb recipe also tips and tricks that will help your bath bombs look and work as good as lush ones

how to make bath bombs for beginners bathtubber - Sep 19 2022

web dec 8 2019 a quick word about the molds if this is your first bath bomb adventure use the spherical stainless steel molds or the clear plastic ornament molds if you use molds with intricate designs the bath bomb is more likely to break when you take it out so let s save the fancy molds for later

*how to make a bath bomb bbc good food* - Jan 24 2023

web to allow your bath bombs to dry leave them uncovered in a cool dry place away from taps and humidity they will take longer to set in humid weather if you ve got more than one colour why not make a rainbow bath bomb layer up the different colours and they will blend together beautifully looking for more kids activities

mex das mündliche examen innere mediziner und chirurgie - Nov 05 2022

web mex das mündliche examen ains anästhesie intensivmedizin notfallmedizin schmerztherapie mex mündliches examen  
töpfer lars remus andré boldte

*mex das mündliche examen allgemeinmedizin 1st edition* - May 11 2023

web sep 12 2018 mex bietet in kapitel 1 zahlreiche tipps und fakten zu vorbereitung und ablauf der mündlich praktischen  
prüfung präsentiert von prüfer und prüfling in kapitel 2

mex das mündliche examen innere mediziner und chirurgie mex - Jan 07 2023

web mit mex ist die letzte hürde fast schon geschafft lesen verstehen wissen sicher durch die mündliche prüfung die  
mündlich praktische prüfung des staatsexamens naht sie

**mex das mundliche examen allgemeinmedizin mex mun** - Oct 24 2021

**mex das mündliche examen allgemeinmedizin mex** - Apr 10 2023

web mex das mündliche examen ains von lars töpfer andré remus markus boldte ulrike kaiser jens vater isbn 978 3 437  
41821 1 alles versandkostenfrei bestellen

*mex das mündliche examen allgemeinmedizin mex scribd* - Jun 12 2023

web mex das mündliche examen allgemeinmedizin mex mündliches examen brandhuber thomas wapler peter klein reinhold  
amazon de bücher

**mex das mundliche examen allgemeinmedizin mex mun** - Dec 26 2021

web jun 14 2023 mex das mundliche examen allgemeinmedizin mex mun 2 9 downloaded from uniport edu ng on june 14  
2023 by guest directly related to the increased

**examensfeier mediziner uni muenster de** - Jan 27 2022

web jun 4 2023 mex das mundliche examen allgemeinmedizin mex mun 2 10 downloaded from uniport edu ng on june 4  
2023 by guest years of writing and thinking

**mex das mündliche examen ains lehmanns de** - Feb 08 2023

web mit mex ist die letzte hürde fast schon geschafft lesen verstehen wissen sicher durch die mündliche prüfung die  
mündlich praktische prüfung des staatsexamens naht sie

**mex das mundliche examen allgemeinmedizin mex mun** - May 31 2022

web mex das mündliche examen neurologie dimitriadis k münchen rémi j münchen bender a maisach hrsg 2018 264 s 103  
farb abb kt isbn 978 3 437 41183 0

**mex das mündliche examen innere mediziner und chirurgie** - Oct 04 2022

web mex das mündliche examen innere medizin und chirurgie isbn 978 3 437 41057 4 alles versandkostenfrei bestellen  
lehmanns de

[mex das mündliche examen amazon de](#) - Sep 03 2022

web merely said the mex das mundliche examen allgemeinmedizin mex mun is universally compatible with any devices to  
read the blood and its third element antoine bechamp

**mex das mündliche examen innere medizin und chirurgie thalia** - Dec 06 2022

web oct 4 2022 mit mex ist die letzte hürde fast schon geschafft lesen verstehen wissen sicher durch die mündliche prüfung  
die mündlich praktische prüfung des

[mex das mundliche examen allgemeinmedizin mex mun](#) - Jul 01 2022

web mex das mündliche examen neurologie neurologie mex mündliches examen bender andreas dimitriadis konstantin rémi  
jan isbn 9783437411830

**mex das mündliche examen innere medizin und chirurgie** - Mar 29 2022

web eine feierliche verabschiedung für die absolvent innen des studienganges der medizin die in dem prüfungszeitraum  
herbst 2023 ihr examen abgelegt haben crick semester

**mex das mündliche examen innere medizin und chirurgie** - Aug 02 2022

web mex das mundliche examen allgemeinmedizin mex mun chemie für mediziner jan 10 2021 der zeeck ist nicht umsonst  
das standardwerk in der chemie es ist ihr perfekter

**mex das mundliche examen allgemeinmedizin mex mun** - Sep 22 2021

[mex das mündliche examen neurologie neurologie mex](#) - Apr 29 2022

web sep 19 2019 mex das mündliche examen innere medizin und chirurgie mex mündliches examen request pdf book

[mex das mundliche examen allgemeinmedizin mex mun](#) - Nov 24 2021

web may 29 2023 mex das mundliche examen allgemeinmedizin mex mun 1 8 downloaded from uniport edu ng on may 29  
2023 by guest mex das mundliche

[mex das mündliche examen allgemeinmedizin](#) - Aug 14 2023

web das mex allgemeinmedizin soll den studierenden dabei helfen sich mit einem bewährten konzept schnell effizient und  
praxisnah auf das praktisch mündliche examen

*mex das mündliche examen innere medizin und chirurgie mex* - Feb 25 2022

web evaluation mex das mundliche examen allgemeinmedizin mex mun what you subsequently to read event history analysis  
with stata hans peter blossfeld 2007 02

*elsevier mex mündliches examen - Jul 13 2023*

web staatsexamens für den themenbereich allgemeinmedizin zusammen so lässt sich die reale prüfungssituation äußerst effizient mit nur einem einzigen buch trainieren ein

**mex das mündliche examen bildgebende verfahren in der** - Mar 09 2023

web mex das mündliche examen innere medizin und chirurgie mex mündliches examen harrer petra amazon de bücher

avtron k922a manual pdf download manualslib - May 24 2022

web view and download avtron k922a manual online outdoor resistive load bank k922a industrial equipment pdf manual download also for k922ad41523

**avtron model k875a outdoor load bank part number k875a 1035409** - Apr 03 2023

web this is a supplemental instruction manual on cd load banks equipped with option 73 should be supplied with special outline drawing sb3145 load banks equipped with option 74 should be supplied with special outline drawing sb3146 load banks equipped with option 75 should be supplied with special outline drawing sb3147

**load banks the global leader in load bank technology** - Aug 27 2022

web load banks load bank testing replicates and verifies the operation of critical power equipment such as generating sets uninterruptible power supplies and battery systems avtron manufactures leading load banks for a range of applications and environments

asco model 2705 ac load bank user manual part number 1092762 - Dec 31 2022

web description asco 2705 ac load bank part number 1092762 2 1 section ii description the asco 2705 load bank is designed for electrically loading and testing power sources the load bank is designed for production line and job site use the loading capability of the load bank depends on voltage at 480 volts 3 phase 60 hz the total

**avtron model lsh fetting power** - Jun 24 2022

web the avtron model lsh load bank is an outdoor unit designed to absorb a balanced resistive load of unity power factor at a specified 3 phase voltage the total load capability and load steps provided

avtron k875a manual pdf download manualslib - May 04 2023

web view and download avtron k875a manual online outdoor load bank k875a industrial equipment pdf manual download also for 1035409

**avtron k975a manual pdf download manualslib** - Sep 08 2023

web view and download avtron k975a manual online outdoor resistive load bank k975a industrial equipment pdf manual download

*emerson avtron loadbank lph400 manual pdf download manualslib* - Jun 05 2023

web view and download emerson avtron loadbank lph400 manual online resistive load bank avtron loadbank lph400 industrial electrical pdf manual download also for avtron loadbank lph400d30693 1

**knowledge base avtron power solutions** - Apr 22 2022

web installation operation 47 can a three phase portable load bank be used on a single phase application can i power controls and fans from internal supply or external power supply can i switch between the two can i use my own load bank software and can i create my own modbus system

home avtron power solutions the global leader in load banks - Oct 29 2022

web avtron power solutions manufacture and distribute market leading load bank solutions for mission critical applications we have the largest portfolio in the industry and can meet the highest load testing standards with our intelligent sigma load bank control system

*avtron model lph400 resistive load bank part* - Feb 01 2023

web avtron model lph 400 resistive load bank part number lph400d43233 2 1 section ii description the model lph400 load bank is a portable primarily indoor self contained unit for electrically loading and testing generators the load bank is rated at 400 kw at 240 480 volts

**atec avtron lph user manual 2 pages manualsdir com** - Mar 22 2022

web avtron s extensive line of load bank and industrial resis tor products are solid performers used throughout the world for total technical support or additional information please contact avtron at 216 573 7600 or lbsales avtron com the avtron liberty load bank is a portable ultra compact resistive load bank designed

**4820 load bank user manual fetting power** - Jul 06 2023

web avtron model k875a outdoor load bank part number k875ad29650 4 1500 kw 480 vac 3 phase 60 hz 50 50 100 100 200 500 and 500 kw asco series 4800 are provided at the end of this manual based on the specific load bank purchased option drawing s and instructions

*3000 series load banks avtron power* - Aug 07 2023

web 3000 series load banks user manual revision number 5035 v3 1 revision date june 2023 all avtron load banks are designed with safety as a very high priority but their operation does present some risks in common with other test equipment the

*atec avtron lph 100 user manual 2 pages manualsdir com* - Sep 27 2022

web freedom model lph 100 compact portable load bank 100 kw read online or download pdf atec avtron lph 100 user manual

**avtron 2000 series user manual pdf download** - Nov 29 2022

web view and download avtron 2000 series user manual online load bank 2000 series test equipment pdf manual download also for 2100 2200 2400 2500 2600 2700 2800 2900

*atec avtron lpc100 user manual 2 pages manualsdir com - Feb 18 2022*

web load banks the load bank provides up to 100 kw resistive load at 480 vac or 240 vac 3 phase 60 hz this versatile load bank weighs only 78 lbs 35 kg is lightweight and ultra compact the load bank is also rated for continuous operation unlike most competitive units the minuteman load bank features horizontal air discharge

*asco 4900 load bank user manual pdf download manualslib - Jul 26 2022*

web page 27 asco 4900 outdoor resistive load bank part number 1251794 replacement parts list replacement parts list schematic asco qty description reference unit avtron model 4900 load bank outdoor 4900 1251794 schematic 1252846 installation camlok connectors d41573 j1 9

2000 series load bank avtron power - Oct 09 2023

web the series 2000 load banks are designed for electrically loading and testing power sources the load bank is designed for production line and job site use refer to the schematic for the load bank kw current voltage phase and frequency rating

2000 series load bank avtron power - Mar 02 2023

web avtron 2000 series sigma lt load bank description user s guide 2 1 section ii description the series 2000 load banks are designed for electrically loading and testing power sources the load bank is designed for production line and job site use refer to the schematic for the load bank kw voltage phase and frequency rating using