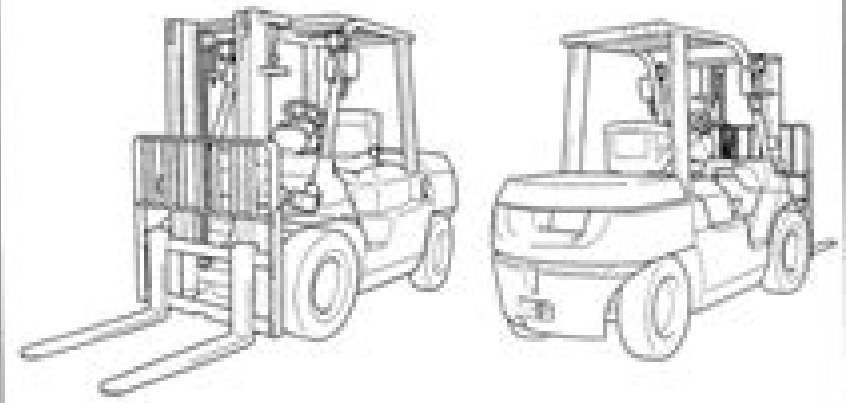


Bookmarks

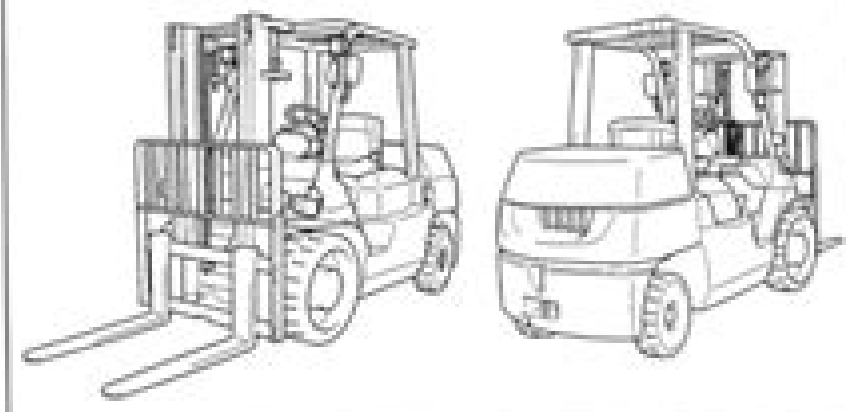
- 7FGU7FDU35-80 & 7FGCU35-70
 - Foreword
 - Section Index
 - General
 - Engine
 - Torque Converter & Transmission
 - Propeller Shaft
 - Differential
 - Front Axle
 - Rear Axle
 - Steering
 - Brake
 - Body
 - Material Handling System
 - Mast
 - Cylinder
 - Oil Pump
 - Oil Control Valve
 - SAS
 - Appendix

EXTERIOR VIEWS

Pneumatic tire model



Cushion tire model



Toyota Forklift 7fgu Manual

Didier Musso



Toyota Forklift 7fgu Manual:

Toyota Forklift ,1986 Toyota Forklift Toyota Jidōsha Kabushiki Kaisha,1984 **Toyota Forklift** ,1983 The Forklift Manual John L. Ryan,L. D. Ryan,2006 **Operator's Manual** ,1991 **Service Manual, Liftall** ,1976
Operator's Manual ,1992 **Toyota Pickup Truck Service Manual** ,1982 *Toyota Pick-up Owners Workshop Manual* John B. Raffa,John Harold Haynes,1986 *Operator's Manual* ,1991 **Toyota Operator's Manual** ,197?
Toyota Truck Toyota Jidōsha Kabushiki Kaisha,1985 *Toyota Pickup Truck* Robert Bently Publishers,1986-07-01
Direct Support and General Support Maintenance Manual for Truck, Forklift, 6,000 Lb., Variable Reach, Rough Terrain, NSN 3930-01-158-0849 ,1993 **Operator's Manual** ,1990 **Truck-Mounted Forklift Safety Manual for Operating and Maintenance Personnel** ,2012-05-15 *Operator's Manual* ,1992 **Chilton's Repair Manual** ,1991 Complete chapter on owner maintenance Expanded index to help you find whatever you want fast All charts up to date with every year of coverage Every subject completely covered in one place where you can find it fast
Operator's Manual ,1991 **Toyota Hi-Lux repair manual - Chassis & Body** Ltd Toyota Motor Sales Co.,

Getting the books **Toyota Forklift 7fgu Manual** now is not type of challenging means. You could not without help going as soon as ebook accrual or library or borrowing from your connections to approach them. This is an no question easy means to specifically get guide by on-line. This online proclamation Toyota Forklift 7fgu Manual can be one of the options to accompany you in imitation of having new time.

It will not waste your time. take me, the e-book will very flavor you other thing to read. Just invest tiny time to read this on-line revelation **Toyota Forklift 7fgu Manual** as with ease as evaluation them wherever you are now.

http://www.frostbox.com/data/detail/Download_PDFS/The%20Spiritual%20Christian%20Avoiding%20Carnality%20As%20A%20Believer.pdf

Table of Contents Toyota Forklift 7fgu Manual

1. Understanding the eBook Toyota Forklift 7fgu Manual
 - The Rise of Digital Reading Toyota Forklift 7fgu Manual
 - Advantages of eBooks Over Traditional Books
2. Identifying Toyota Forklift 7fgu Manual
 - Exploring Different Genres
 - Considering Fiction vs. Non-Fiction
 - Determining Your Reading Goals
3. Choosing the Right eBook Platform
 - Popular eBook Platforms
 - Features to Look for in an Toyota Forklift 7fgu Manual
 - User-Friendly Interface
4. Exploring eBook Recommendations from Toyota Forklift 7fgu Manual
 - Personalized Recommendations
 - Toyota Forklift 7fgu Manual User Reviews and Ratings
 - Toyota Forklift 7fgu Manual and Bestseller Lists

-
5. Accessing Toyota Forklift 7fgu Manual Free and Paid eBooks
 - Toyota Forklift 7fgu Manual Public Domain eBooks
 - Toyota Forklift 7fgu Manual eBook Subscription Services
 - Toyota Forklift 7fgu Manual Budget-Friendly Options
 6. Navigating Toyota Forklift 7fgu Manual eBook Formats
 - ePub, PDF, MOBI, and More
 - Toyota Forklift 7fgu Manual Compatibility with Devices
 - Toyota Forklift 7fgu Manual Enhanced eBook Features
 7. Enhancing Your Reading Experience
 - Adjustable Fonts and Text Sizes of Toyota Forklift 7fgu Manual
 - Highlighting and Note-Taking Toyota Forklift 7fgu Manual
 - Interactive Elements Toyota Forklift 7fgu Manual
 8. Staying Engaged with Toyota Forklift 7fgu Manual
 - Joining Online Reading Communities
 - Participating in Virtual Book Clubs
 - Following Authors and Publishers Toyota Forklift 7fgu Manual
 9. Balancing eBooks and Physical Books Toyota Forklift 7fgu Manual
 - Benefits of a Digital Library
 - Creating a Diverse Reading Collection Toyota Forklift 7fgu Manual
 10. Overcoming Reading Challenges
 - Dealing with Digital Eye Strain
 - Minimizing Distractions
 - Managing Screen Time
 11. Cultivating a Reading Routine Toyota Forklift 7fgu Manual
 - Setting Reading Goals Toyota Forklift 7fgu Manual
 - Carving Out Dedicated Reading Time
 12. Sourcing Reliable Information of Toyota Forklift 7fgu Manual
 - Fact-Checking eBook Content of Toyota Forklift 7fgu Manual
 - Distinguishing Credible Sources
 13. Promoting Lifelong Learning

-
- Utilizing eBooks for Skill Development
 - Exploring Educational eBooks
14. Embracing eBook Trends
- Integration of Multimedia Elements
 - Interactive and Gamified eBooks

Toyota Forklift 7fgu Manual Introduction

Free PDF Books and Manuals for Download: Unlocking Knowledge at Your Fingertips In today's fast-paced digital age, obtaining valuable knowledge has become easier than ever. Thanks to the internet, a vast array of books and manuals are now available for free download in PDF format. Whether you are a student, professional, or simply an avid reader, this treasure trove of downloadable resources offers a wealth of information, conveniently accessible anytime, anywhere. The advent of online libraries and platforms dedicated to sharing knowledge has revolutionized the way we consume information. No longer confined to physical libraries or bookstores, readers can now access an extensive collection of digital books and manuals with just a few clicks. These resources, available in PDF, Microsoft Word, and PowerPoint formats, cater to a wide range of interests, including literature, technology, science, history, and much more. One notable platform where you can explore and download free Toyota Forklift 7fgu Manual PDF books and manuals is the internet's largest free library. Hosted online, this catalog compiles a vast assortment of documents, making it a veritable goldmine of knowledge. With its easy-to-use website interface and customizable PDF generator, this platform offers a user-friendly experience, allowing individuals to effortlessly navigate and access the information they seek. The availability of free PDF books and manuals on this platform demonstrates its commitment to democratizing education and empowering individuals with the tools needed to succeed in their chosen fields. It allows anyone, regardless of their background or financial limitations, to expand their horizons and gain insights from experts in various disciplines. One of the most significant advantages of downloading PDF books and manuals lies in their portability. Unlike physical copies, digital books can be stored and carried on a single device, such as a tablet or smartphone, saving valuable space and weight. This convenience makes it possible for readers to have their entire library at their fingertips, whether they are commuting, traveling, or simply enjoying a lazy afternoon at home. Additionally, digital files are easily searchable, enabling readers to locate specific information within seconds. With a few keystrokes, users can search for keywords, topics, or phrases, making research and finding relevant information a breeze. This efficiency saves time and effort, streamlining the learning process and allowing individuals to focus on extracting the information they need. Furthermore, the availability of free PDF books and manuals fosters a culture of continuous learning. By removing financial barriers, more people can access educational resources and pursue lifelong learning, contributing to personal

growth and professional development. This democratization of knowledge promotes intellectual curiosity and empowers individuals to become lifelong learners, promoting progress and innovation in various fields. It is worth noting that while accessing free Toyota Forklift 7fgu Manual PDF books and manuals is convenient and cost-effective, it is vital to respect copyright laws and intellectual property rights. Platforms offering free downloads often operate within legal boundaries, ensuring that the materials they provide are either in the public domain or authorized for distribution. By adhering to copyright laws, users can enjoy the benefits of free access to knowledge while supporting the authors and publishers who make these resources available. In conclusion, the availability of Toyota Forklift 7fgu Manual free PDF books and manuals for download has revolutionized the way we access and consume knowledge. With just a few clicks, individuals can explore a vast collection of resources across different disciplines, all free of charge. This accessibility empowers individuals to become lifelong learners, contributing to personal growth, professional development, and the advancement of society as a whole. So why not unlock a world of knowledge today? Start exploring the vast sea of free PDF books and manuals waiting to be discovered right at your fingertips.

FAQs About Toyota Forklift 7fgu Manual Books

How do I know which eBook platform is the best for me? Finding the best eBook platform depends on your reading preferences and device compatibility. Research different platforms, read user reviews, and explore their features before making a choice. Are free eBooks of good quality? Yes, many reputable platforms offer high-quality free eBooks, including classics and public domain works. However, make sure to verify the source to ensure the eBook credibility. Can I read eBooks without an eReader? Absolutely! Most eBook platforms offer webbased readers or mobile apps that allow you to read eBooks on your computer, tablet, or smartphone. How do I avoid digital eye strain while reading eBooks? To prevent digital eye strain, take regular breaks, adjust the font size and background color, and ensure proper lighting while reading eBooks. What the advantage of interactive eBooks? Interactive eBooks incorporate multimedia elements, quizzes, and activities, enhancing the reader engagement and providing a more immersive learning experience. Toyota Forklift 7fgu Manual is one of the best book in our library for free trial. We provide copy of Toyota Forklift 7fgu Manual in digital format, so the resources that you find are reliable. There are also many Ebooks of related with Toyota Forklift 7fgu Manual. Where to download Toyota Forklift 7fgu Manual online for free? Are you looking for Toyota Forklift 7fgu Manual PDF? This is definitely going to save you time and cash in something you should think about. If you trying to find then search around for online. Without a doubt there are numerous these available and many of them have the freedom. However without doubt you receive whatever you purchase. An alternate way to get ideas is always to check another Toyota Forklift 7fgu Manual. This method

for see exactly what may be included and adopt these ideas to your book. This site will almost certainly help you save time and effort, money and stress. If you are looking for free books then you really should consider finding to assist you try this. Several of Toyota Forklift 7fgu Manual are for sale to free while some are payable. If you arent sure if the books you would like to download works with for usage along with your computer, it is possible to download free trials. The free guides make it easy for someone to free access online library for download books to your device. You can get free download on free trial for lots of books categories. Our library is the biggest of these that have literally hundreds of thousands of different products categories represented. You will also see that there are specific sites catered to different product types or categories, brands or niches related with Toyota Forklift 7fgu Manual. So depending on what exactly you are searching, you will be able to choose e books to suit your own need. Need to access completely for Campbell Biology Seventh Edition book? Access Ebook without any digging. And by having access to our ebook online or by storing it on your computer, you have convenient answers with Toyota Forklift 7fgu Manual To get started finding Toyota Forklift 7fgu Manual, you are right to find our website which has a comprehensive collection of books online. Our library is the biggest of these that have literally hundreds of thousands of different products represented. You will also see that there are specific sites catered to different categories or niches related with Toyota Forklift 7fgu Manual So depending on what exactly you are searching, you will be able to choose ebook to suit your own need. Thank you for reading Toyota Forklift 7fgu Manual. Maybe you have knowledge that, people have search numerous times for their favorite readings like this Toyota Forklift 7fgu Manual, but end up in harmful downloads. Rather than reading a good book with a cup of coffee in the afternoon, instead they juggled with some harmful bugs inside their laptop. Toyota Forklift 7fgu Manual is available in our book collection an online access to it is set as public so you can download it instantly. Our digital library spans in multiple locations, allowing you to get the most less latency time to download any of our books like this one. Merely said, Toyota Forklift 7fgu Manual is universally compatible with any devices to read.

Find Toyota Forklift 7fgu Manual :

the spiritual christian avoiding carnality as a believer

the story of control

the six perfections buddhism and the cultivation

the salvation soldiers guide 1926

the salisbury key

the spirit of iron eyes an iron eyes western book 7

the stream one wartwo friendsdestined to die english edition

the shoemaker and the devil and other short stories

the secret of bees essay

the sheikhs innocent lover secrets of alazzan book english edition

the survival guide new release

the sustaining citizen an accomplishment of living for his country

the scorpion tales

the streets belong to us kamishibaiuml the little theatre t

the science of failure

Toyota Forklift 7fgu Manual :

iec 61010 1 ed 3 0 b 2010 ansi webstore - Jun 08 2022

web feb 14 2021 course overview the course covers iec 61010 1 electrical equipment for measurement control and laboratory use edition 3 2010 06 amd1 2016 12 plus

new iec 61010 1 edition 3 1 virtual training course - Dec 02 2021

consolidated version international standard norme internationale - Sep 23 2023

web preview abstract iec 61010 1 2010 specifies general safety requirements for the following types of electrical equipment and their accessories wherever they are intended to be

iec 61010 1 amd 1 ed 3 0 b 2016 amendment 1 safety - Jul 09 2022

web iec 61010 1 2010 a1 2016 specifies general safety requirements for the following types of electrical equipment and their accessories wherever they are intended to be used a

major changes to iec 61010 3rd edition amendment 1 - Feb 04 2022

an easy to use comparison on changes to ul iec 61010 1 - Jan 15 2023

web iec 61010 2 034 ed 2 0 b 2023 safety requirements for electrical equipment for measurement control and laboratory use part 2 034 particular 0 add to cart

iec 61010 1 edition 3 analog devices - Jul 21 2023

web requirements iec 61010 1 content of iec 61010 1 2010 edition 3 the standard specifies the safety requirements which are generally applicable to all equipment in the

risk management in 61010 1 third edition intertek - Oct 12 2022

web iec 61010 1 2010 specifies general safety requirements for the following types of electrical equipment and their accessories wherever they are intended to be used a electrical

edition 3 0 2019 02 international standard norme - Aug 10 2022

web 28 53 revision date 2019 07 19 in this 30 minute webinar presented live on 12th may 2020 marcin zurek shared his expertise on the major changes of amendment 1 to iec

standard iec 61010 1 - May 07 2022

iec 61010 1 third edition eurofins e e north america - Dec 14 2022

web iec 61010 1 2010 specifies general safety requirements for the following types of electrical equipment and their accessories wherever they are intended to be used a electrical

international standard norme internationale - Jun 20 2023

web mar 30 2021 technical articles iec 61010 1 edition 3 by david carr download pdf introduction international standard iec 61010 1 specifies safety requirements for a

iec 61010 1 safety requirements for electrical equipment for - Apr 06 2022

iec61010 3rd edition new international safety - Nov 13 2022

web safety requirements for electrical equipment for measurement control and laboratory use part 1 general requirements

iec 61010 1 2010 specifies general safety requirements

ul iec 61010 1 3rd to 3 1 amendment 1 edition - Feb 16 2023

web iec 61010 2 081 edition 3 0 2019 02 norme internationale group safety publication publication groupÉe de sÉcuritÉ safety requirements for

iec 61010 1 edition 3 analog devices - Apr 18 2023

web aug 26 2010 the can csa and ul 61010 1 3rd edition standard was jointly published in may 2012 the changes brought into the third edition of 61010 1 were the results of a

redline version international standard iec - Mar 05 2022

iec 61010 1 2010 amd1 2016 csv iec webstore - Jan 03 2022

iec 61010 1 ed 3 1 b 2017 ansi webstore - Mar 17 2023

web jan 10 2017 full description iec 61010 1 2010 a1 2016 specifies general safety requirements for the following types of

electrical equipment and their accessories

[iec 61010 1 2010 iec webstore](#) - Aug 22 2023

web iec 61010 1 edition 3 0 2010 06 international standard norme internationale safety requirements for electrical equipment for measurement

iec 61010 series master the challenge keep up - May 19 2023

web the ul iec 61010 1 3rd edition standard has recently undergone review and the result is edition 3 1 the comparison guide outlines the affected clauses discusses the changes

[iec 61010 1 ed 3 1 b 2017 techstreet](#) - Sep 11 2022

web international standard group safety publication iec 61010 2 101 edition 3 0 2018 10 redline version colour inside safety requirements for

ciudad de ceniza cazadores de sombras 2 cazadores de sombras 2 - Aug 31 2023

web sep 22 2009 ciudad de ceniza cazadores de sombras 2 cazadores de sombras 2 hardcover september 22 2009

[ciudad de ceniza wikipedia la enciclopedia libre](#) - Jul 18 2022

web ciudad de ceniza título original en inglés city of ashes es el segundo libro de la saga cazadores de sombras escrita por cassandra clare fue publicada originalmente en estados unidos el 25 de marzo de 2008 1 y en españa el 22 de septiembre de 2009

[cazadores de sombras 2 ciudad de ceniza 1 la isla del tiempo](#) - Nov 21 2022

web cazadores de sombras 2 ciudad de ceniza 1 la isla del tiempo plus clare cassandra amazon es libros

[saga cazadores de sombras google drive](#) - Oct 01 2023

web feb 12 2017 ciudad de ceniza cassandra clare pdf owner hidden feb 12 2017 1 5 mb more info alt ciudad de cristal

cassandra clare pdf owner hidden feb 12 2017 ciudad del fuego celestial cassandra clare pdf owner hidden feb 12 2017 2 1 mb more info alt princesa mecanica cassandra clare pdf owner hidden

[ciudad de ceniza nueva presentación cazadores de sombras 2](#) - Feb 22 2023

web jun 11 2019 ciudad de ceniza nueva presentación cazadores de sombras 2 clare cassandra gallart Álvarez gemma on amazon com free shipping on qualifying offers ciudad de ceniza nueva presentación cazadores de sombras 2

[ciudad de ceniza cazadores de sombras 2 la isla del tiempo](#) - May 28 2023

web ciudad de ceniza cazadores de sombras 2 la isla del tiempo plus clare cassandra gallart Álvarez gemma amazon es libros libros juvenil ciencia ficción y fantasía nuevo 11 95 los precios incluyen iva el precio final a pagar al finalizar la compra puede variar según la dirección de entrega ver detalles

ciudad de ceniza nueva presentación cazadores de sombras 2 - Mar 26 2023

web ciudad de ceniza nueva presentación cazadores de sombras 2 la isla del tiempo plus clare cassandra gallart Álvarez
gemma amazon es libros

[cazadores de sombras 2 ciudad de ceniza city of ashes mortal](#) - Oct 21 2022

web cazadores de sombras 2 ciudad de ceniza clary fray desearía que su vida volviera a la normalidad si pudiera dejar atrás el mundo de los cazadores de sombras tendría más tiempo para simon su mejor amigo que se está convirtiendo en algo más pero el mundo subterráneo que acaba de descubrir no está preparado para dejarla ir en

[cazadores de sombras pelicula 2 Ésta es la razón por la que se](#) - May 16 2022

web mar 25 2021 según se decia al menos se esperaba que las dos siguientes película cazadores de sombras ciudad ceniza y la de ciudad de cristal fueran rodadas pero no se dio el caso por otro lado si quieres puedes pasarte por este artículo y así saber más sobre el orden de cazadores de sombras

[ciudad de ceniza cazadores de sombras 2 goodreads](#) - Jul 30 2023

web aug 7 2008 ciudad de ceniza cassandra clare gemma gallart translator 4 12 910 579 ratings35 789 reviews si clary fray pudiera dejar atrás el mundo de los cazadores de sombras tendría más tiempo para simon su mejor amigo que se está convirtiendo en algo más pero ni el mundo subterráneo ni ese apuesto y exasperante jace están

[cazadores de sombras 2 ciudad de ceniza casa del](#) - Apr 26 2023

web sinopsis de cazadores de sombras 2 ciudad de ceniza clary fray desearía que su vida volviera a la normalidad si pudiera dejar atrás el mundo de los cazadores de sombras tendría más tiempo para simon su mejor amigo que

ciudad de ceniza cazadores de sombras 2 google books - Feb 10 2022

web aug 3 2010 ciudad de ceniza cassandra clare grupo planeta spain aug 3 2010 fiction 464 pages si clary fray pudiera dejar atrás el mundo de los cazadores de sombras tendría más tiempo

[ciudad de ceniza cazadores de sombras 2 planetadelibros](#) - Dec 23 2022

web valora este libro sinopsis de ciudad de ceniza cazadores de sombras 2 si clary fray pudiera dejar atrás el mundo de los cazadores de sombras tendría más tiempo para simon su mejor amigo que se está convirtiendo en algo más pero ni el mundo subterráneo ni ese apuesto y exasperante jace están preparados para dejarla ir

cazadores de sombras 2 ciudad de ceniza planetadelibros - Sep 19 2022

web ciudad de ceniza si clary fray pudiera dejar atrás el mundo de los cazadores de sombras tendría más tiempo para simon su mejor amigo que se está convirtiendo en algo más pero ni el mundo subterráneo ni ese apuesto y exasperante jace están preparados para dejarla ir además una ola de asesinatos sacude la ciudad

[ciudad de ceniza nueva presentación cazadores de sombras 2](#) - Jan 24 2023

web ciudad de ceniza nueva presentación cazadores de sombras 2 clare cassandra amazon com tr kitap

cazadores de sombras ciudad de hueso trailer oficial 2 - Apr 14 2022

web apr 25 2013 una chica ordinaria en la ciudad de nueva york clary fray lilly collins descubre que es descendiente de una línea de cazadores de sombras un grupo de jó

cazadores de sombras 2 ciudad de ceniza cassandra clare - Jun 16 2022

web ciudad de ceniza cassandra clare cassandra clare nació en irán y pasó sus primeros años viajando por el mundo con su familia y varios baúles llenos de libros de fantasía entre los que se contaban las series de las crónicas de narnia y los seis signos de la luz

cazadores de sombras 2 ciudad de ceniza la isla del tiempo - Jun 28 2023

web cazadores de sombras 2 ciudad de ceniza la isla del tiempo plus clare cassandra amazon com tr kitap

cazadores de sombras 2 ciudad de ceniza planetadelibros - Aug 19 2022

web ciudad de ceniza clary fray desearía que su vida volviera a la normalidad si pudiera dejar atrás el mundo de los cazadores de sombras tendría más tiempo para simon su mejor amigo que se está convirtiendo en algo más pero el mundo subterráneo que acaba de descubrir no está preparado para dejarla ir en especial ese apuesto y

ciudad de ceniza cazadores de sombras 2 - Mar 14 2022

web sinopsis de ciudad de ceniza cazadores de sombras 2 segundo libro de la saga cazadores de sombra clary fray desearía que su vida volviera a la normalidad si pudiera dejar atrás el mundo de los cazadores de sombras tendría más tiempo para simon su mejor amigo que se está convirtiendo en algo más

les signes ou des singes saison 3 4 by alain leclercq - Oct 25 2021

web aug 19 2023 les signes astrologiques mois de chaque signe la plante des singes 3 le synopsis officiel et un critique la plante des singes suprmatie cloneweb la

les signes ou des singes saison 3 4 download only - Mar 10 2023

web sous le signe du singe l homme le singe et l oiseau bibliotheque universelle de geneve supplement a la bibliotheque universelle de geneve bulletin de l academie de médecine

les signes ou des singes saison 3 4 french edition ebook - Jul 14 2023

web les signes ou des singes saison 3 4 french edition ebook leclercq alain amazon ca boutique kindle

signs date de sortie de la saison 3 sur netflix fiebreseries - Aug 03 2022

web mar 1 2022 y aura t il une saison 3 de signs signs renouvelle t elle pour une saison 3 aurons nous une première de signs saison 3 nous savons que vous adorez signs ça

signs série tv 2018 allociné - Jul 02 2022

web retrouvez tous les détails des 2 saisons et des 16 épisodes de la série ainsi que toutes les news et les vidéos

les signes ou des singes saison 3 4 download only wrbb neu - Jan 08 2023

web 2 les signes ou des singes saison 3 4 2020 06 10 communication et leur longévité en quelques millions d années à peine les humains sont devenus l espèce dominante

les signes ou des singes saison 3 4 by alain leclercq - Feb 09 2023

web les signes ou des singes saison 3 4 by alain leclercq la plante des singes suprmatie 2017 un film de matt april 29th 2020 la planète des singes suprématie un film de

télécharger les signes ou des singes saison 3 amp 4 de - Jun 13 2023

web jul 25 2021 le livre les signes ou des singes saison 3 4 est maintenant disponible au téléchargement au format pdf ou epub sur le livre les signes ou des singes

les signes ou des singes saison 3 4 poczta builduk - Jan 28 2022

web le signe du singe signes et singes bulletin de l academie de médecine les singes hommes le singe le singe sur l épaule du fou oeuvres complètes jocko le monstre

calendrier du tri 2022 signes - Mar 30 2022

web jan 12 2022 la médiathèque de signes vous propose 28 06 2022 inauguration du city stade 28 06 2022 festival choral international en provence 27 06 2022 message

le signe des quatre film 1923 wikipedia - Feb 26 2022

web le signe des quatre the sign of four est un film muet britannique réalisé par maurice elvey sorti en 1923 le scénario est adapté du roman le signe des quatre d arthur

signs saison 3 quelle date de sortie netflix une suite prévue - Jun 01 2022

web sep 17 2020 si tout se passe comme prévu nous pouvons nous attendre à ce que la date de sortie de la saison 3 de signs sorte en 2022 sur axn dans son pays d origine et

les signes ou des singes saison 3 4 pdf win raid - May 12 2023

web nouveaux essais sur les hiéroglyphes ou figures symboliques et sacrées des égyptiens et des grecs utiles à l intelligence des monumens mythologiques des autres peuples ornés

les signes ou des singes saison 3 4 marketing isync - Dec 27 2021

web les signes ou des singes saison 3 4 les singes additions aux quadrupèdes les grands singes signes et singes sous le signe du singe ces grands singes qui nous

les signes ou des singes saison 3 4 e littre - Sep 04 2022

web one merely said the les signes ou des singes saison 3 4 is universally compatible with any devices to read dictionnaire de la langue française contenant supplément

[les signes ou des singes saison 3 4 françois rozier](#) - Oct 05 2022

web saison 3 4 yeah reviewing a ebook les signes ou des singes saison 3 4 could grow your near friends listings this is just one of the solutions for you to be successful as

singes de la sagesse wikipédia - Apr 30 2022

web dans les nouvelles aventures de lucky luke lucky luke se rend dans une base secrète dont le drapeau représente les 3 singes dans charmed un épisode est basé sur les

les signes ou des singes saison 3 4 format kindle amazon fr - Aug 15 2023

web achetez et téléchargez ebook les signes ou des singes saison 3 4 boutique kindle chaos amazon fr

[les signes ou des singes saison 3 4 full pdf dallas lin 14](#) - Sep 23 2021

web les signes ou des singes saison 3 4 les signes des singes lamettrie s l homme machine l homme est il un grand singe politique l homme le singe et l oiseau

[les signes ou des singes saison 3 4 by alain leclercq](#) - Nov 06 2022

web jun 14 2023 les signes ou des singes saison 3 4 by alain leclercq is available in our publication mx watchshopping com 1 8 les signes ou des singes

les signes ou des singes saison 3 4 download only - Nov 25 2021

web les signes ou des singes saison 3 4 a complete course of french reading lessons planète singes les maladies osseuses des grands singes le bébé le singe et

[télécharger les signes ou des singes saison 3 4 yumpu](#) - Apr 11 2023

web dans le prochain et dernier chapitre vous saurez que les signes ou des singes saison 3 4 est un livre très intéressant de plus vous pouvez télécharger le pdf gratuitement ici

[les signes ou des singes saison 3 4 by alain leclercq](#) - Dec 07 2022

web et marne un billet unique pour le parc des flins les 7 meilleures images de montagne des singes montagne les 3 singes secret du bonheur les 3 singes secret du fr serie la