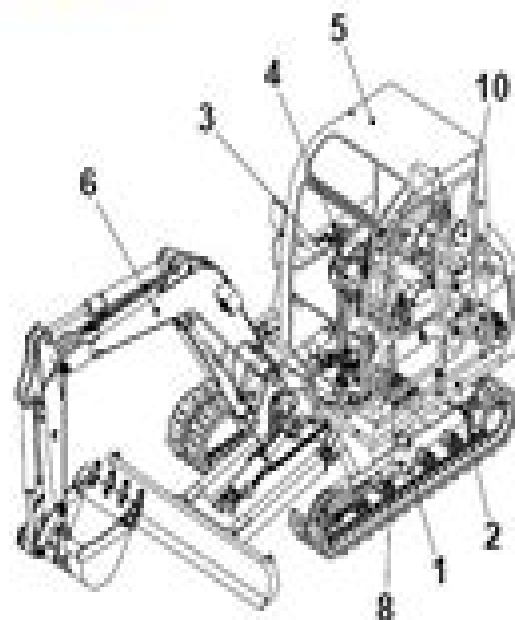


TB135 Book No. BQ42010 and C100004
Index

TB135

Book No. BQ42010
Serial No. C10010004



TAKEUCHI

Takeuchi Tb135 Service Manual

CO Houle



Takeuchi Tb135 Service Manual:

Service Manual Diamond T Motor Car Company. Service Dept,1948 **Service Manual** Caterpillar Tractor Company (U.S.A),1983 Service Manual White Motor Corporation,1976 **Truck Service Manual** ,1984 Toyota 2f Engine Repair Manual Toyota Corporation,2006-01-01 Factory engine repair manual for the iconic 2F petrol gasoline engine as fitted to the Toyota 40 55 and 60 Series four wheel drive vehicles This repair manual has been prepared to provide information covering general repair for 2F Gasoline engine as fitted to the TOYOTA LAND CRUISER Per Toyota Motor Sales Co LTD The Toyota 2F engine was one of the F series of OHV inline 6 cylinder engines produced by Toyota between 1955 1992 F Series engines are known for their high amount of torque at low RPM massive cast iron blocks and heads and also their high reliability The 2F Engine had one of the longest production runs of any Toyota engine The F Series engines all incorporate overhead valves actuated by pushrods from a gear driven camshaft in the lower portion of the engine The engine was first introduced in the Toyota FJ40 Land Cruiser and in many countries was the only gasoline engine offered in the Landcruiser until 1993 Although it s commonly badged as the Land Cruiser engine it was used in a variety of other large truck applications as well such as in fire trucks and the Toyota FQ15 trucks It was also used in the Crown based Japanese Police Patrol Cars FH26 and FS20 FS50 **Engine D 100, TD 100** ,1974 *Technical Service Manual* , **Service Manual, Disassembly and Assembly** ,1972 **Honda VT1100 Shadow V-twins Owners Workshop Manual** Mike Stubblefield,John Harold Haynes,1999 Whether the reader has simple maintenance or a complete engine rebuild in mind he or she can rest assured that there s a Haynes manual for just above every popular domestic and import car truck and motorcycle By conducting complete tear downs and rebuilds the staff at Haynes Publishing has discovered all the problems owners will find when repairing or rebuilding their vehicles By documenting each process with hundreds of illustrations and step by step instructions that show the exact order of assembly Haynes manuals make every step easy to follow *Suzuki Service Manual* Suzuki Jidōsha Kōgyō Kabushiki Kaisha. Export Service Section,1971 **Suzuki Service Manual, Model TS250R.** Suzuki Jidōsha Kōgyō Kabushiki Kaisha. Export Service Section,1971 **Bultaco Cemoto Service Manual** Compañía Española de Motores,1967 **Technical Service Manual** American Motors Corporation. Automotive Technical Service,1963 **Service Manual** Caterpillar Tractor Company,1979 White Service Manual White Motor Corporation,1976 White Personalized Service Maintenance Manual White Motor Company,1949 Toyota Tacoma, 4Runner & T100 Automotive Repair Manual Robert Phillip Maddox, Mike Stubblefield, John Harold Haynes,1998 Trucks Service Manual Aktiebolaget Volvo.,1974 *Technical Service Manual 1941-1948* Nash motors,1948 Technical Service Manual 1949 Nash motors,1948

Reviewing **Takeuchi Tb135 Service Manual**: Unlocking the Spellbinding Force of Linguistics

In a fast-paced world fueled by information and interconnectivity, the spellbinding force of linguistics has acquired newfound prominence. Its capacity to evoke emotions, stimulate contemplation, and stimulate metamorphosis is truly astonishing. Within the pages of "**Takeuchi Tb135 Service Manual**," an enthralling opus penned by a very acclaimed wordsmith, readers attempt an immersive expedition to unravel the intricate significance of language and its indelible imprint on our lives. Throughout this assessment, we shall delve to the book is central motifs, appraise its distinctive narrative style, and gauge its overarching influence on the minds of its readers.

<http://www.frostbox.com/public/detail/HomePages/the%20pirate%20prince.pdf>

Table of Contents Takeuchi Tb135 Service Manual

1. Understanding the eBook Takeuchi Tb135 Service Manual
 - The Rise of Digital Reading Takeuchi Tb135 Service Manual
 - Advantages of eBooks Over Traditional Books
2. Identifying Takeuchi Tb135 Service Manual
 - Exploring Different Genres
 - Considering Fiction vs. Non-Fiction
 - Determining Your Reading Goals
3. Choosing the Right eBook Platform
 - Popular eBook Platforms
 - Features to Look for in an Takeuchi Tb135 Service Manual
 - User-Friendly Interface
4. Exploring eBook Recommendations from Takeuchi Tb135 Service Manual
 - Personalized Recommendations
 - Takeuchi Tb135 Service Manual User Reviews and Ratings
 - Takeuchi Tb135 Service Manual and Bestseller Lists

5. Accessing Takeuchi Tb135 Service Manual Free and Paid eBooks
 - Takeuchi Tb135 Service Manual Public Domain eBooks
 - Takeuchi Tb135 Service Manual eBook Subscription Services
 - Takeuchi Tb135 Service Manual Budget-Friendly Options
6. Navigating Takeuchi Tb135 Service Manual eBook Formats
 - ePub, PDF, MOBI, and More
 - Takeuchi Tb135 Service Manual Compatibility with Devices
 - Takeuchi Tb135 Service Manual Enhanced eBook Features
7. Enhancing Your Reading Experience
 - Adjustable Fonts and Text Sizes of Takeuchi Tb135 Service Manual
 - Highlighting and Note-Taking Takeuchi Tb135 Service Manual
 - Interactive Elements Takeuchi Tb135 Service Manual
8. Staying Engaged with Takeuchi Tb135 Service Manual
 - Joining Online Reading Communities
 - Participating in Virtual Book Clubs
 - Following Authors and Publishers Takeuchi Tb135 Service Manual
9. Balancing eBooks and Physical Books Takeuchi Tb135 Service Manual
 - Benefits of a Digital Library
 - Creating a Diverse Reading Collection Takeuchi Tb135 Service Manual
10. Overcoming Reading Challenges
 - Dealing with Digital Eye Strain
 - Minimizing Distractions
 - Managing Screen Time
11. Cultivating a Reading Routine Takeuchi Tb135 Service Manual
 - Setting Reading Goals Takeuchi Tb135 Service Manual
 - Carving Out Dedicated Reading Time
12. Sourcing Reliable Information of Takeuchi Tb135 Service Manual
 - Fact-Checking eBook Content of Takeuchi Tb135 Service Manual
 - Distinguishing Credible Sources
13. Promoting Lifelong Learning

- Utilizing eBooks for Skill Development
 - Exploring Educational eBooks
14. Embracing eBook Trends
- Integration of Multimedia Elements
 - Interactive and Gamified eBooks

Takeuchi Tb135 Service Manual Introduction

Takeuchi Tb135 Service Manual Offers over 60,000 free eBooks, including many classics that are in the public domain. Open Library: Provides access to over 1 million free eBooks, including classic literature and contemporary works. Takeuchi Tb135 Service Manual Offers a vast collection of books, some of which are available for free as PDF downloads, particularly older books in the public domain. Takeuchi Tb135 Service Manual : This website hosts a vast collection of scientific articles, books, and textbooks. While it operates in a legal gray area due to copyright issues, its a popular resource for finding various publications. Internet Archive for Takeuchi Tb135 Service Manual : Has an extensive collection of digital content, including books, articles, videos, and more. It has a massive library of free downloadable books. Free-eBooks Takeuchi Tb135 Service Manual Offers a diverse range of free eBooks across various genres. Takeuchi Tb135 Service Manual Focuses mainly on educational books, textbooks, and business books. It offers free PDF downloads for educational purposes. Takeuchi Tb135 Service Manual Provides a large selection of free eBooks in different genres, which are available for download in various formats, including PDF. Finding specific Takeuchi Tb135 Service Manual, especially related to Takeuchi Tb135 Service Manual, might be challenging as theyre often artistic creations rather than practical blueprints. However, you can explore the following steps to search for or create your own Online Searches: Look for websites, forums, or blogs dedicated to Takeuchi Tb135 Service Manual, Sometimes enthusiasts share their designs or concepts in PDF format. Books and Magazines Some Takeuchi Tb135 Service Manual books or magazines might include. Look for these in online stores or libraries. Remember that while Takeuchi Tb135 Service Manual, sharing copyrighted material without permission is not legal. Always ensure youre either creating your own or obtaining them from legitimate sources that allow sharing and downloading. Library Check if your local library offers eBook lending services. Many libraries have digital catalogs where you can borrow Takeuchi Tb135 Service Manual eBooks for free, including popular titles. Online Retailers: Websites like Amazon, Google Books, or Apple Books often sell eBooks. Sometimes, authors or publishers offer promotions or free periods for certain books. Authors Website Occasionally, authors provide excerpts or short stories for free on their websites. While this might not be the Takeuchi Tb135 Service Manual full book , it can give you a taste of the authors writing style. Subscription Services Platforms like Kindle Unlimited or Scribd offer subscription-based access to a wide range of Takeuchi Tb135 Service

Manual eBooks, including some popular titles.

FAQs About Takeuchi Tb135 Service Manual Books

How do I know which eBook platform is the best for me? Finding the best eBook platform depends on your reading preferences and device compatibility. Research different platforms, read user reviews, and explore their features before making a choice. Are free eBooks of good quality? Yes, many reputable platforms offer high-quality free eBooks, including classics and public domain works. However, make sure to verify the source to ensure the eBook credibility. Can I read eBooks without an eReader? Absolutely! Most eBook platforms offer web-based readers or mobile apps that allow you to read eBooks on your computer, tablet, or smartphone. How do I avoid digital eye strain while reading eBooks? To prevent digital eye strain, take regular breaks, adjust the font size and background color, and ensure proper lighting while reading eBooks. What the advantage of interactive eBooks? Interactive eBooks incorporate multimedia elements, quizzes, and activities, enhancing the reader engagement and providing a more immersive learning experience. Takeuchi Tb135 Service Manual is one of the best book in our library for free trial. We provide copy of Takeuchi Tb135 Service Manual in digital format, so the resources that you find are reliable. There are also many Ebooks of related with Takeuchi Tb135 Service Manual. Where to download Takeuchi Tb135 Service Manual online for free? Are you looking for Takeuchi Tb135 Service Manual PDF? This is definitely going to save you time and cash in something you should think about.

Find Takeuchi Tb135 Service Manual :

the pirate prince

the practice of statistics 3rd edition answers s

the perfect poison

the rockers babies the rocker series book english edition

the recipe sancocho panamas style

the road to self enlightenment tales of animus book 1

the punisher vol 3 business as usual by garth ennis

the rules of work richard templar

~~the plantagenet prelude plantagenet saga~~

the retreat valancourt 20th century classics

the preparatory manual of explosives third edition

the perfume of silence english edition

the resolution english edition

~~the popularity papers book~~

the physics of golf

Takeuchi Tb135 Service Manual :

Haematology - Multiple Choice Multiple Choice. Select a section below to answer the MCQs: Part 1: Basic physiology and practice (14 questions); Part 2: Red cell disorders (20 questions) ... Hematology Quiz Questions And Answers! Sep 11, 2023 — Hematology Quiz Questions And Answers! · 1. In high altitudes, the hemoglobin value is: · 2. The hemoglobin types found in a normal adult are: . Haematology questions mcq - Hematology MCQs ans WK ... 1. Which of the following is not associated with thrombotic thrombocytopenic · 2. A patient who is suspected of having acute viral hemorrhagic fever reveals · 3. Haematology Mcqs For Diploma: Choose The Correct ... HAEMATOLOGY. MCQS FOR DIPLOMA. CHOOSE THE CORRECT ANSWER FROM A - E. 1 Which of these may be a cause of precipitate on a Leishman stained smear? Hematology Multiple Choice Questions and Answers Free download in PDF Hematology Multiple Choice Questions and Answers for competitive exams. These short objective type questions with answers are very ... 9. Hematology Questions and Answers - Oxford Academic Chapter 9 presents multiple-choice, board review questions on hematology including anemia, myeloid malignancies, coagulation disorders, and lymphoid ... Hematology MCQs Flashcards Study with Quizlet and memorize flashcards containing terms like Myelodysplastic syndrome is characterized by all the signs, except: a. Hematology: A COLLECTION OF 300 MCQS AND EMQS ... This book provides 300 hematology MCQs divided into three practice papers. Correct answers follow, accompanied by short referenced notes drawing from recent ... Hematology multiple choice questions and answers 100 TOP HEMATOLOGY Multiple Choice Questions and Answers pdf 2018<http://allmedicalquestionsanswers.com/hematology-multiple-choice-ques>. Multiple Choice Questions in Haematology Multiple Choice Questions in Haematology: With Answers and Explanatory Comments (Multiple Choice Questions Series) [Pegrum, G., Mitchell, T.] on Amazon.com. Astro 18fsx wiring diagram - Boating Forum Jul 30, 2012 — The front panel has three spare wires in the harness...Which ones can I use to connect the df? Where can I get a wiring diagram for this boat? Thread: 1996 Astro ISO Maunual Jan 27, 2020 — Does anyone out there have a wire diagram or Manual for these older bass boats? ... I have a 1995 Astro with the wiring diagrams attached to the ... astro wiring diagram Questions & Answers (with Pictures) Find solutions to your astro wiring diagram question. Get free help, tips & support from top experts on astro wiring diagram related issues. Astro Boat Wiring Diagram Astro Boat Wiring Diagram. Embracing the Song of Appearance: An

Psychological Symphony within Astro Boat Wiring Diagram. In a world consumed by monitors and ... Stratos wiring diagrams | Tracker boats, Wiring a plug ... Oct 21, 2021 - Here are a few diagrams that have been posted on the forums <http://www.bassboatcentral.com/smileys/thumbsup2.gif> ... Create Your Own Wiring Diagram | BoatUS Wiring Connector Kit Electrical Terminal Set by West Marine | Marine Electrical at West Marine. Always have the right terminal for the job with this ... Info Share - Owners/Service/Parts Manuals - Wiring Diagrams Apr 21, 2009 — There is now a pack consisting of all 1985-2005 Astro/Safari wiring diagrams over on TPB(also in my links). They are 3rd party, but I like ... Marine Electrical Systems.pdf Shown in Figures 1 and 2 are three sample schematics depicting main and branch. DC circuits commonly found on boats. Keep in mind that components in a DC system ... Boat Wiring Harness 80s 90s Astroglass Procraft Boat Wiring Harness 80s 90s Astroglass Procraft ; Quantity. 1 available ; Item Number. 235032727076 ; Brand. Unbranded ; Warranty. No Warranty ; Accurate description. Instrumented Spinal Fusion - Columbia Neurosurgery Instrumented Spinal Fusion - Columbia Neurosurgery Spinal Instrumentation: Surgical Techniques - PMC by P Thorpe · 2007 — This is a large-volume text aimed at surgeons involved in the field of spinal implantation, including orthopaedic and neurosurgical spinal surgeons as well ... Instrumentation in spinal surgery by HK Wong · 2002 · Cited by 11 — Spinal instrumentation restores or enhances the mechanical stability of the spine, corrects and maintains spinal alignment, and enhances spinal fusion. The ... Spinal Instrumentation Information in Atlanta Spinal instrumentation refers to different types of devices and implants used during spine surgery. When spinal instrumentation is used during spine surgery ... Spinal Instrumentation: Surgical Techniques This book is your complete guide to all contemporary forms of spinal implant systems. It not only highlights the newest devices, but also gives you the clinical ... What Is Spinal Instrumentation and Spinal Fusion? Nov 26, 2018 — Spinal instrumentation, also known as spinal implants, devices or hardware, uses surgical procedures to implant titanium, titanium-alloy, ... Spinal Instrumentation Animation - OrthoInfo -AAOS This animation describes spinal instrumentation, a method of strengthening or stabilizing the vertebrae in the spine through the attachment of rods, hooks, ... Spinal Fusion with Instrumentation Instrumentation includes implants such as rods, plates, screws, interbody devices, cages and hooks. Implanted instrumentation immediately stabilizes the spine ... Spine Fusion Instrumentation by J Jagannathan — Instrumentation used during lumbar interbody fusion surgeries includes many of the options listed above, such as pedicle screws, rods, plates, and cages.