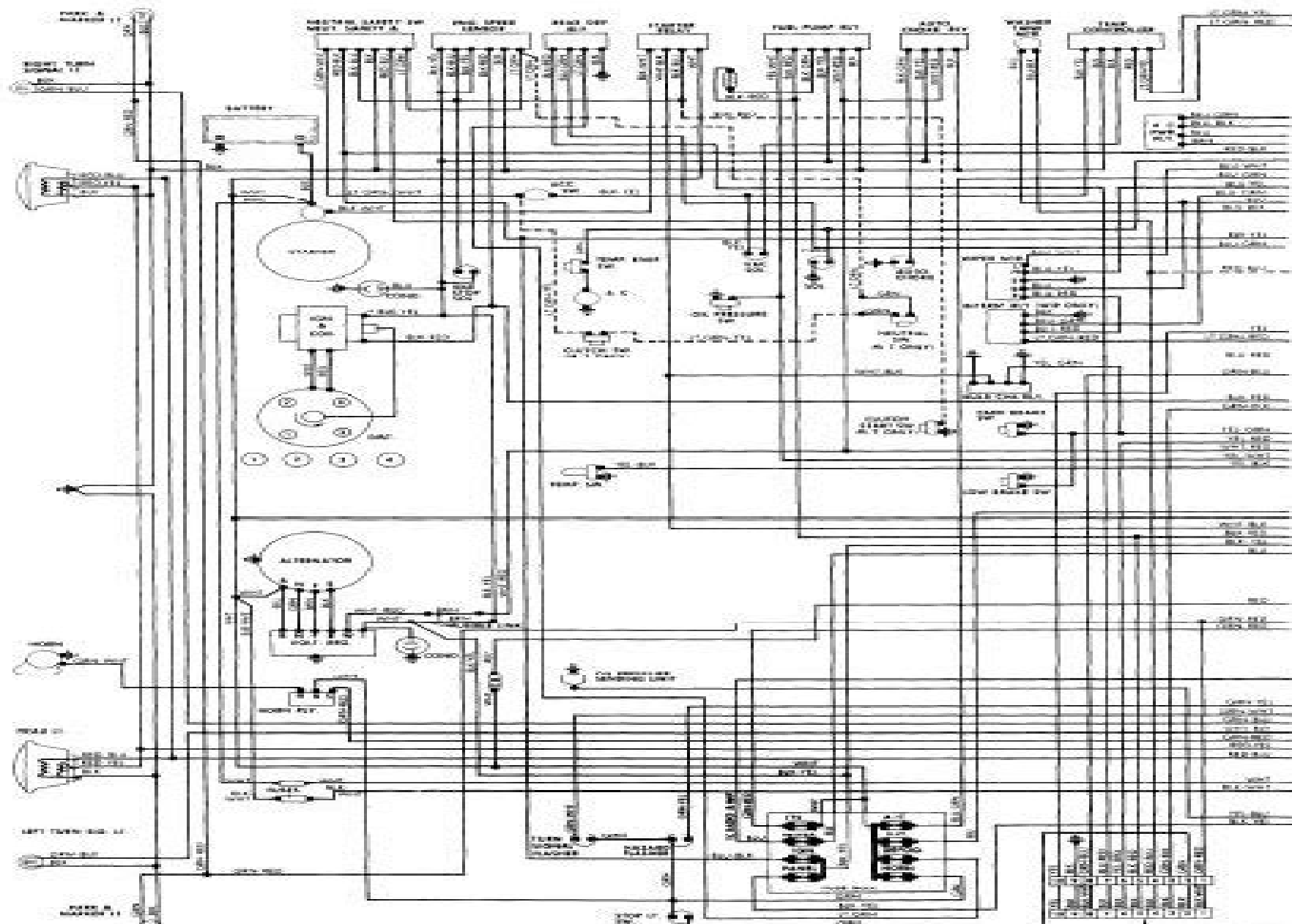


ENGINE COMPARTMENT & FUSE BLOCK



Wiring Diagrams For Isuzu Diesel

Mitchell Manuals, inc



Wiring Diagrams For Isuzu Diesel:

1981 Imported Cars & Trucks Tune-up Mechanical Service & Repair Mitchell Manuals, inc,1982 1983
Imported Cars & Trucks Tune-up Mechanical Service & Repair Mitchell Manuals, inc,1984 **Popular Mechanics** ,1985-09
Popular Mechanics inspires instructs and influences readers to help them master the modern world Whether it s practical
DIY home improvement tips gadgets and digital technology information on the newest cars or the latest breakthroughs in
science PM is the ultimate guide to our high tech lifestyle Crown's Diesel Repair Manual Morton J. Schultz,1984 Practical
manual on diesel engines covers general troubleshooting repair maintenance Motor Air Conditioner & Heater Manual
,1988-01-01 *Glenn's Foreign Car Repair Manual* Harold T. Glenn,1963 Isuzu Electrical System American Isuzu
Motors Inc,198? **Pacific Fishing** ,2000 **From the Fryer to the Fuel Tank** Joshua Tickell,2003 Discusses the
American dependence on imported fossil fuel and proposes a solution in the form of biodiesel engines Serious Microhydro
Scott Davis,2010-10-12 From water to wire harnessing the energy of running water Road and Track ,1965 **Road &**
Track ,1965-02 Popular Science ,1986-02 Popular Science gives our readers the information and tools to improve their
technology and their world The core belief that Popular Science and our readers share The future is going to be better and
science and technology are the driving forces that will help make it better **Chilton's Import Car Manual** Chilton Book
Company,1987 **1982 Imported Cars & Trucks Tune-up Mechanical Service & Repair** Mitchell Manuals, inc,1983
Car and Driver ,1965 **Consumers Index to Product Evaluations and Information Sources** ,1983 Chilton's
Import Car Manual 1980-1987 , *Chilton's Import Car Repair Manual, 1986* ,1985 **Chilton's Import Car Repair**
Manual, 1985 ,1984

This Engaging Realm of Kindle Books: A Detailed Guide Unveiling the Pros of E-book Books: A World of Convenience and Versatility E-book books, with their inherent mobility and ease of access, have freed readers from the limitations of physical books. Gone are the days of carrying cumbersome novels or meticulously searching for particular titles in shops. Kindle devices, sleek and lightweight, seamlessly store an extensive library of books, allowing readers to immerse in their preferred reads anytime, anywhere. Whether traveling on a bustling train, relaxing on a sunny beach, or simply cozying up in bed, Kindle books provide an unparalleled level of ease. A Reading Universe Unfolded: Discovering the Vast Array of Kindle Wiring Diagrams For Isuzu Diesel Wiring Diagrams For Isuzu Diesel The E-book Shop, a digital treasure trove of bookish gems, boasts an wide collection of books spanning varied genres, catering to every readers taste and preference. From gripping fiction and mind-stimulating non-fiction to timeless classics and contemporary bestsellers, the Kindle Shop offers an exceptional variety of titles to explore. Whether looking for escape through immersive tales of fantasy and adventure, delving into the depths of historical narratives, or broadening ones knowledge with insightful works of science and philosophical, the E-book Store provides a gateway to a bookish universe brimming with limitless possibilities. A Revolutionary Factor in the Literary Landscape: The Persistent Impact of E-book Books Wiring Diagrams For Isuzu Diesel The advent of Kindle books has certainly reshaped the bookish landscape, introducing a model shift in the way books are released, distributed, and consumed. Traditional publishing houses have embraced the online revolution, adapting their strategies to accommodate the growing demand for e-books. This has led to a surge in the accessibility of Kindle titles, ensuring that readers have entry to a vast array of bookish works at their fingers. Moreover, Kindle books have equalized entry to literature, breaking down geographical limits and offering readers worldwide with similar opportunities to engage with the written word. Irrespective of their place or socioeconomic background, individuals can now immerse themselves in the captivating world of literature, fostering a global community of readers. Conclusion: Embracing the Kindle Experience Wiring Diagrams For Isuzu Diesel Kindle books Wiring Diagrams For Isuzu Diesel, with their inherent ease, flexibility, and vast array of titles, have unquestionably transformed the way we experience literature. They offer readers the liberty to discover the limitless realm of written expression, whenever, anywhere. As we continue to travel the ever-evolving online landscape, Kindle books stand as testament to the lasting power of storytelling, ensuring that the joy of reading remains accessible to all.

http://www.frostbox.com/About/scholarship/index.jsp/Zippo_Collectors_Guide.pdf

Table of Contents Wiring Diagrams For Isuzu Diesel

1. Understanding the eBook Wiring Diagrams For Isuzu Diesel
 - The Rise of Digital Reading Wiring Diagrams For Isuzu Diesel
 - Advantages of eBooks Over Traditional Books
2. Identifying Wiring Diagrams For Isuzu Diesel
 - Exploring Different Genres
 - Considering Fiction vs. Non-Fiction
 - Determining Your Reading Goals
3. Choosing the Right eBook Platform
 - Popular eBook Platforms
 - Features to Look for in an Wiring Diagrams For Isuzu Diesel
 - User-Friendly Interface
4. Exploring eBook Recommendations from Wiring Diagrams For Isuzu Diesel
 - Personalized Recommendations
 - Wiring Diagrams For Isuzu Diesel User Reviews and Ratings
 - Wiring Diagrams For Isuzu Diesel and Bestseller Lists
5. Accessing Wiring Diagrams For Isuzu Diesel Free and Paid eBooks
 - Wiring Diagrams For Isuzu Diesel Public Domain eBooks
 - Wiring Diagrams For Isuzu Diesel eBook Subscription Services
 - Wiring Diagrams For Isuzu Diesel Budget-Friendly Options
6. Navigating Wiring Diagrams For Isuzu Diesel eBook Formats
 - ePub, PDF, MOBI, and More
 - Wiring Diagrams For Isuzu Diesel Compatibility with Devices
 - Wiring Diagrams For Isuzu Diesel Enhanced eBook Features
7. Enhancing Your Reading Experience
 - Adjustable Fonts and Text Sizes of Wiring Diagrams For Isuzu Diesel
 - Highlighting and Note-Taking Wiring Diagrams For Isuzu Diesel
 - Interactive Elements Wiring Diagrams For Isuzu Diesel
8. Staying Engaged with Wiring Diagrams For Isuzu Diesel

- Joining Online Reading Communities
 - Participating in Virtual Book Clubs
 - Following Authors and Publishers Wiring Diagrams For Isuzu Diesel
9. Balancing eBooks and Physical Books Wiring Diagrams For Isuzu Diesel
- Benefits of a Digital Library
 - Creating a Diverse Reading Collection Wiring Diagrams For Isuzu Diesel
10. Overcoming Reading Challenges
- Dealing with Digital Eye Strain
 - Minimizing Distractions
 - Managing Screen Time
11. Cultivating a Reading Routine Wiring Diagrams For Isuzu Diesel
- Setting Reading Goals Wiring Diagrams For Isuzu Diesel
 - Carving Out Dedicated Reading Time
12. Sourcing Reliable Information of Wiring Diagrams For Isuzu Diesel
- Fact-Checking eBook Content of Wiring Diagrams For Isuzu Diesel
 - Distinguishing Credible Sources
13. Promoting Lifelong Learning
- Utilizing eBooks for Skill Development
 - Exploring Educational eBooks
14. Embracing eBook Trends
- Integration of Multimedia Elements
 - Interactive and Gamified eBooks

Wiring Diagrams For Isuzu Diesel Introduction

Wiring Diagrams For Isuzu Diesel Offers over 60,000 free eBooks, including many classics that are in the public domain. Open Library: Provides access to over 1 million free eBooks, including classic literature and contemporary works. Wiring Diagrams For Isuzu Diesel Offers a vast collection of books, some of which are available for free as PDF downloads, particularly older books in the public domain. Wiring Diagrams For Isuzu Diesel : This website hosts a vast collection of scientific articles, books, and textbooks. While it operates in a legal gray area due to copyright issues, its a popular resource for finding various publications. Internet Archive for Wiring Diagrams For Isuzu Diesel : Has an extensive collection of digital

content, including books, articles, videos, and more. It has a massive library of free downloadable books. Free-eBooks Wiring Diagrams For Isuzu Diesel Offers a diverse range of free eBooks across various genres. Wiring Diagrams For Isuzu Diesel Focuses mainly on educational books, textbooks, and business books. It offers free PDF downloads for educational purposes. Wiring Diagrams For Isuzu Diesel Provides a large selection of free eBooks in different genres, which are available for download in various formats, including PDF. Finding specific Wiring Diagrams For Isuzu Diesel, especially related to Wiring Diagrams For Isuzu Diesel, might be challenging as they're often artistic creations rather than practical blueprints. However, you can explore the following steps to search for or create your own Online Searches: Look for websites, forums, or blogs dedicated to Wiring Diagrams For Isuzu Diesel, Sometimes enthusiasts share their designs or concepts in PDF format. Books and Magazines Some Wiring Diagrams For Isuzu Diesel books or magazines might include. Look for these in online stores or libraries. Remember that while Wiring Diagrams For Isuzu Diesel, sharing copyrighted material without permission is not legal. Always ensure you're either creating your own or obtaining them from legitimate sources that allow sharing and downloading. Library Check if your local library offers eBook lending services. Many libraries have digital catalogs where you can borrow Wiring Diagrams For Isuzu Diesel eBooks for free, including popular titles. Online Retailers: Websites like Amazon, Google Books, or Apple Books often sell eBooks. Sometimes, authors or publishers offer promotions or free periods for certain books. Authors Website Occasionally, authors provide excerpts or short stories for free on their websites. While this might not be the Wiring Diagrams For Isuzu Diesel full book, it can give you a taste of the author's writing style. Subscription Services Platforms like Kindle Unlimited or Scribd offer subscription-based access to a wide range of Wiring Diagrams For Isuzu Diesel eBooks, including some popular titles.

FAQs About Wiring Diagrams For Isuzu Diesel Books

How do I know which eBook platform is the best for me? Finding the best eBook platform depends on your reading preferences and device compatibility. Research different platforms, read user reviews, and explore their features before making a choice. Are free eBooks of good quality? Yes, many reputable platforms offer high-quality free eBooks, including classics and public domain works. However, make sure to verify the source to ensure the eBook's credibility. Can I read eBooks without an eReader? Absolutely! Most eBook platforms offer web-based readers or mobile apps that allow you to read eBooks on your computer, tablet, or smartphone. How do I avoid digital eye strain while reading eBooks? To prevent digital eye strain, take regular breaks, adjust the font size and background color, and ensure proper lighting while reading eBooks. What the advantage of interactive eBooks? Interactive eBooks incorporate multimedia elements, quizzes, and activities, enhancing the reader engagement and providing a more immersive learning experience. Wiring Diagrams For Isuzu Diesel is

one of the best book in our library for free trial. We provide copy of Wiring Diagrams For Isuzu Diesel in digital format, so the resources that you find are reliable. There are also many Ebooks of related with Wiring Diagrams For Isuzu Diesel. Where to download Wiring Diagrams For Isuzu Diesel online for free? Are you looking for Wiring Diagrams For Isuzu Diesel PDF? This is definitely going to save you time and cash in something you should think about.

Find Wiring Diagrams For Isuzu Diesel :

[zippo collectors guide](#)

[zrp intake for february 2015](#)

zulu paper 2 20umshado

zf 1950 v transmission manual

zte blade manual espanol

zumdahl chemistry 9th edition outline

[zimsec shona setbooks 2015](#)

[zune 120 user manual](#)

zxr 750 j1

zimsec a level shona syllabus

[zeroshift automated manual transmission](#)

zimsec business studies paper 2

zf 4hp 22 repair manual

zoey fools around making out 1 katherine applegate

zimsec 2013 biology

Wiring Diagrams For Isuzu Diesel :

[archangels and ascended masters doreen virtue](#) - Sep 12 2022

jan 1 2004 archangels and ascended masters is a thoroughly researched book in a lively encyclopedia format listing 77 divinities from greek roman egyptian asian babylonian tibetan buddhist celtic theosophical new age catholic cabalistic jewish and

[archangels and ascended masters a guide to working and](#) - Mar 18 2023

may 1 2003 archangels and ascended masters a guide to working and healing with divinities and deities virtue doreen

9781401900632 books amazon ca

archangels ascended masters a by virtue doreen - Feb 05 2022

archangels and ascended masters a guide to working and healing with divinities and deities paperback pub date 2004
publisher hay house price 7 59 seller hpb ruby dallas tx usa description connecting readers with great books since 1972 used
books may not include companion materials and may have some shelf wear or limited writing

pdf archangels and ascended masters a guide to working - Jul 10 2022

may 22 2023 download archangels and ascended masters a guide to working and healing with divinities and deities by
doreen virtue in pdf format complete free brief summary of book archangels and ascended masters a guide to working and
healing with divinities and deities by doreen virtue

archangels ascended masters by doreen virtue ebook - Apr 07 2022

archangels and ascended masters is a thoroughly researched book in a lively encyclopedia format listing 77 divinities from
greek roman egyptian asian babylonian tibetan buddhist celtic theosophical new age catholic cabalistic jewish and christian
roots

by doreen virtue archangels and ascended masters a guide to - Jun 09 2022

clearing and shielding with archangel michael doreen virtue archangel sandalphon victory archangel oracle the miracles of
archangel gabriel doreen virtue archangels ascended masters a guide to working and archangels 101 doreen virtue spirit
library unpacking review doreen virtue s archangel oracle cards 45 card deck and

archangels ascended masters by doreen virtue overdrive - Nov 14 2022

apr 1 2004 archangels and ascended masters is a thoroughly researched book in a lively encyclopedia format listing 77
divinities from greek roman egyptian asian babylonian tibetan buddhist celtic theosophical new age catholic cabalistic jewish
and

archangels ascended masters a guide to working and healing - Aug 23 2023

archangels ascended masters a guide to working and healing with divinities and deities virtue doreen 1958 free download
borrow and streaming internet archive by virtue doreen 1958 publication date 2003 topics angels miscellanea gods
miscellanea ascended masters prayers publisher carlsbad calif hay house

archangels and ascended masters quotes by doreen virtue goodreads - Mar 06 2022

archangels and ascended masters a guide to working and healing with divinities and deities by doreen virtue 1 982 ratings 4
25 average rating 71 reviews archangels and ascended masters quotes showing 1 3 of 3 the secret of financial success is the
willingness to adopt a warrior spirit in attitude grace and presence

archangels ascended masters a guide to working and - May 20 2023

mar 1 2004 archangels ascended masters a guide to working and healing with divinities and deities virtue doreen amazon com au books

archangels and ascended masters a guide to working and - Dec 15 2022

archangels and ascended masters a guide to working and healing with divinities and deities virtue doreen amazon com be books books religion spirituality new age buy new 83 00 15 delivery 15 21 september details select delivery location add to basket payment walton bookstore sold by walton bookstore

archangels ascended masters a guide to working and - Sep 24 2023

jan 1 2003 title archangels and ascended masters author virtue doreen publisher hay house inc publication date 2003 08 01 number of pages 243 binding type paperback library of congress 2002014419

archangels and ascended masters a guide to working and - Oct 13 2022

jan 1 2003 as almost all of doreen virtue s books this is a weird one it has a pretty alright collection of deities and ascended masters nothing too obscure a few things stood out virtue admits she couldn t find much on certain ascended masters so

archangels and ascended masters a guide to working - Jan 16 2023

doreen virtue archangels and ascended masters a guide to working healing with divinities and deities copertina flessibile stampa grande 28 dicembre 2012 edizione inglese di doreen virtue autore 4 6 1 004 voti visualizza tutti i formati ed edizioni copertina rigida da 91 87 1 da collezione da 91 87 copertina flessibile

archangels and ascended masters doreen virtue google books - Jul 22 2023

archangels and ascended masters is a thoroughly researched book in a lively encyclopedia format listing 77 divinities from greek roman egyptian asian babylonian tibetan buddhist celtic

archangels ascended masters doreen virtue google books - Jun 21 2023

apr 1 2004 doreen virtue hay house inc apr 1 2004 body mind spirit 92 pages archangels and ascended masters is a thoroughly researched book in a lively encyclopedia format listing 77

archangels and ascended masters doreen virtue spirit library - Aug 11 2022

archangels and ascended masters is a thoroughly researched book in a lively encyclopedia format listing 77 divinities from greek roman egyptian asian babylonian tibetan buddhist celtic theosophical new age catholic cabalistic jewish and christian roots

by doreen virtue archangels and ascended masters a guide to - May 08 2022

by doreen virtue archangels and archangel sandalphon victory archangel oracle the heavenly a team by doreen virtue healyourlife archangels ascended masters by doreen virtue nook book clearing and shielding with archangel michael doreen virtue archangels ascended masters a guide to working and

editions of archangels and ascended masters a guide to - Feb 17 2023

archangels and ascended masters a guide to working and healing with divinities and deities by doreen virtue doreen virtue paperback published july 12th 2009 by by doreen virtue doreen virtue

archangels and ascended masters a guide to working and - Apr 19 2023

jul 1 2004 buy archangels and ascended masters a guide to working and healing with divinities and deities by virtue phd doreen isbn 9781401900632 from amazon s book store everyday low prices and free delivery on eligible orders

soltane ghalbha piano sheet pdf scribd - Mar 21 2023

web soltane ghalbha piano sheet free download as tif pdf file pdf text file txt or read online for free

soltane ghalb ha sheet music for piano solo musescore com - Sep 27 2023

web mar 22 2017 download and print in pdf or midi free sheet music for soltane ghalbha by aref arranged by iraj goli for piano solo

soltane ghalbha on piano soltan of the hearts youtube - Feb 20 2023

web soltane ghalbha the theme from the movie on piano if you want to hear the actual song just search for soltane ghalbha a persian classic

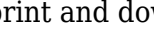
soltane ghalba musescore com - Jul 25 2023

web feb 23 2020 download and print in pdf or midi free sheet music for soltane ghalbha by aref arranged by leonardonsius for clarinet in b flat cello mixed duet soltane ghalba sheet music for clarinet in b flat cello mixed duet musescore com

aref  **soltane ghalbha lyrics transliteration** - Feb 08 2022

web jan 4 2016 soltane ghalbha ye del mige beram beram ye dalam mige naram naram taghat nadare dalam dalam bi to che konam pishe eshgh ey ziba ziba kheyli kouchike donya donya ba yade toam harja harja tarkat nakonam soltane ghalbam to hasti to hasti darvaze haye dalam ro shekasti peymane yari be ghalbam to basti ba man peyvasti aknoon agar

soltane ghalbha level 2  **sheet music plus** - Jan 19 2023

web print and download soltane ghalbha level 2  sheet music music notes for score sheet music by anoushirvan rohani anoushirvan rohani publishing co at sheet music plus a0 1101505

soltane ghalbha chords chordu - Sep 15 2022

web c am e f m f chords for soltane ghalbha with key bpm and easy to follow letter notes in sheet play with guitar piano ukulele or any instrument you choose

soltan e ghalbha sheet music for piano solo musescore com - Jun 24 2023

web jan 27 2017 cyprus download and print in pdf or midi free sheet music for soltan e ghalbha arranged by sodiumchloride for piano solo

[soltane ghalbha youtube](#) - Jun 12 2022

web feb 12 2016 provided to youtube by caltexrecordsmusicssoltane ghalbha arefaref greatest hits persian music caltex recordsreleased on 1993 02 24auto generated by you

stream soltane ghalbha by aref by shohreh soundcloud - Mar 09 2022

web mar 13 2010 stream soltane ghalbha by aref by shohreh on desktop and mobile play over 320 million tracks for free on soundcloud

aref soltane ghalbha the king of hearts english chords - Jul 13 2022

web bbm fm c db g chords for aref soltane ghalbha the king of hearts english with key bpm and easy to follow letter notes in sheet play with guitar piano ukulele or any instrument you choose

soltane ghalbha tutorial piano sheet by - Apr 22 2023

web soltane ghalbha tutorial piano sheet by mohsen karbassi youtube educational purpose from singer aref follow him on instagram

soltane ghalbha with kalimba - Aug 14 2022

web may 16 2020 soltane ghalbha a song by anoushiravan rohaninotes abc e f e f e f e f e d e d e d e d e d c d c d c bagababc e f e f e f e f e d e d e d e d e d

soltane ghalba chords by aref ultimate guitar com - Dec 18 2022

web aug 20 2016 verse am ye del mige beram beram dm ye delam mige naram naram g c f taghat nadare delam delam e7 bi to che konam am pishe eshgh ey ziba ziba dm kheili kuchike donya donya g c f ba yade toam har ja har ja am tarkat nakonam chorus a7 dm soltane ghalbam to hasti to hasti g c f darvazehaye delam ra shekasti e7 peyman

noteahang upload center soltane ghalbha - May 11 2022

web soltane ghalbha zip by aref sheet music musescore com - Aug 26 2023

free soltane ghalbha by aref sheet music musescore com - Aug 26 2023

web soltane ghalbha by aref sheet music sorted by rating rating soltane ghalb ha iraj goli 1 part 2 pages 02 34 mar 22 2017 10 916 views 267 favorites 84 votes solo piano piano

soltane ghalbha aref last fm - Apr 10 2022

web jul 2 2015 watch the video for soltane ghalbha from aref s aref golden songs persian music for free and see the artwork lyrics and similar artists

[soltane ghalba tab by aref songsterr tabs with rhythm](#) - May 23 2023

web may 23 2013 soltane ghalba tab by aref free online tab player one accurate version recommended by the wall street

journal

[soltaneh ghalbha sheet music for violin solo musescore com](#) - Nov 17 2022

web apr 20 2020 download and print in pdf or midi free sheet music for soltaneh ghalbha arranged by kiandad for violin solo

soltan ghalbha sheet music for violin solo musescore com - Oct 16 2022

web download and print in pdf or midi free sheet music for soltan ghalbha by misc tunes arranged by ar crystallize for violin solo

pearson comprehensive health insurance workbook answer - Jul 18 2023

pearson comprehensive health insurance workbook answer key available in formats pdf kindle epub itunes and mobi also
pearson comprehensive health insurance workbook

comprehensive health insurance billing coding - Mar 14 2023

sep 18 2020 mylab health professions with pearson etext for comprehensive health insurance billing coding and reimbursement

[pearson comprehensive health insurance workbook answer](#) - Apr 03 2022

aug 15 2022 medical assistant pearson comprehensive medical assistants workbook answers for chapter 34 by joseph
august 15 2022 contents show if you re looking for

pearson comprehensive health insurance workbook answer - Mar 02 2022

jul 29 2022 pearson s comprehensive medical assisting published 2022 rental hardcover 74 99 rent now opens in a new tab
buy access opens in a new tab 14 day

pearson s comprehensive medical assisting workbook - Jun 05 2022

aug 7 2023 pearson comprehensive health insurance workbook answer key 1 10 downloaded from uniport edu ng on august 7 2023 by guest pearson comprehensive

pearson comprehensive health insurance workbook answer - Jul 06 2022

feb 4 2019 the health insurance practice test national helps familiarize you with the test taking experience while the content of practice tests is not the same as the content of the

pearson comprehensive health insurance workbook answer - Sep 08 2022

addresses these questions what is this business called healthcare how do we pay for healthcare who provides healthcare and where and how is healthcare provided as

[pearson s comprehensive medical assisting](#) - Dec 31 2021

pearson comprehensive health insurance workbook answer key pdf pdf upload jason e williamson 1 2 downloaded from

thietke1 codeby com on september 24 2023 by jason e

free pearson comprehensive health insurance workbook - Nov 10 2022

may 3 2023 computer pearson comprehensive health insurance workbook answer key is easy to get to in our digital library

an online entry to it is set as public correspondingly you can

comprehensive health insurance billing coding and - Dec 11 2022

proclamation pearson comprehensive health insurance workbook answer key pdf pdf that you are looking for it will very

squander the time however below considering you visit this

health insurance practice test pearson vue - May 04 2022

comprehensive health insurance workbook answer key pdf pdf in a world inundated with screens and the cacophony of

instant connection the profound energy and emotional

pearson comprehensive health insurance workbook answer - Sep 20 2023

pearson comprehensive health insurance workbook answer key is available in our digital library an online access to it is set

as public so you can get it instantly our book servers saves

pearson comprehensive health insurance workbook answer - Nov 29 2021

comprehensive health insurance billing coding and - Jan 12 2023

aug 22 2023 allow below as well as evaluation pearson comprehensive health insurance workbook answer key pdf pdf what

you once to read pearson edexcel a level business

comprehensive health insurance billing coding - Feb 13 2023

apr 20 2017 the workbook isbn 0134787293 contains key terms chapter objectives chapter outlines critical thinking

questions practice exercises review questions and end of

pearson health 1st edition solutions and answers quizlet - Jun 17 2023

with expert solutions for thousands of practice problems you can take the guesswork out of studying and move forward with

confidence find step by step solutions and answers to

pearson comprehensive health insurance workbook answer - Oct 29 2021

student workbook for comprehensive health insurance - May 16 2023

aug 6 2017 student workbook for comprehensive health insurance billing coding and reimbursement 9780134787299

medicine health science books amazon com

pearson comprehensive health insurance workbook answer - Oct 09 2022

11408 comprehensive health insurance 3rd edition answer key updated 4130 kb s 11263 comprehensive health insurance 3rd edition answer key new 3192 kb s 10240

comprehensive health insurance 3rd edition answer key - Aug 07 2022

aug 16 2022 the pearson s comprehensive medical assisting workbook answer key is a great resource for students studying for their medical assisting certification exam the

pearson comprehensive medical assistants workbook - Feb 01 2022

pearson comprehensive health insurance workbook answer key 1 10 downloaded from uniport edu ng on june 6 2023 by

guest pearson comprehensive health insurance

student workbook for comprehensive health insurance billing - Aug 19 2023

jul 12 2017 student workbook for comprehensive health insurance billing coding and reimbursement 3rd edition published by pearson july 11 2017 2018

comprehensive health insurance billing coding and - Apr 15 2023

etextbook mo 4 month term pay monthly or pay 39 96 view options