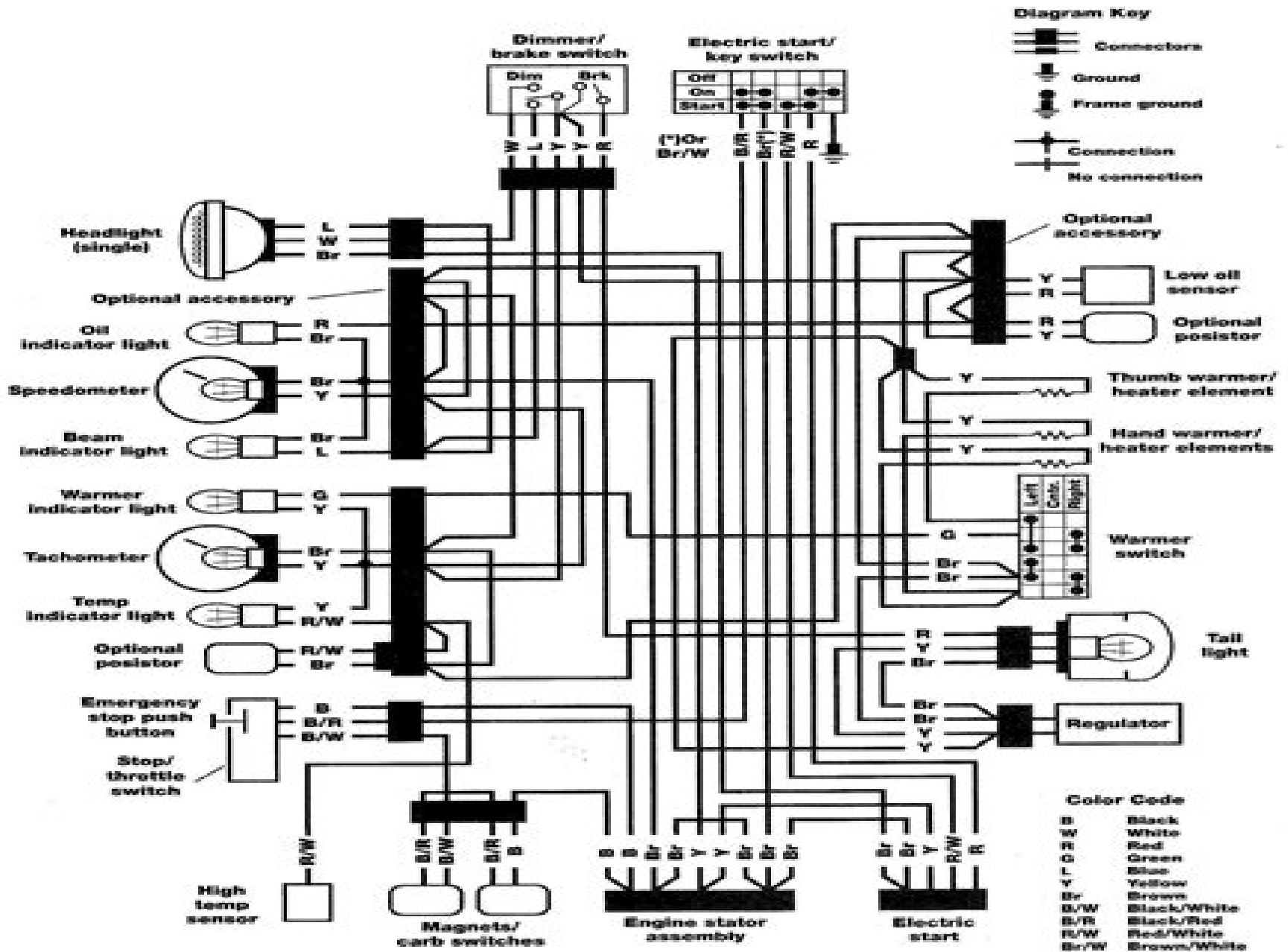


MAIN HARNESS 1992 PROWLER



Wiring Diagram 4x4 Polaris Scrambler 400

Ed Scott



Wiring Diagram 4x4 Polaris Scrambler 400:

Polaris, Sportsman 400 and 500 4x4, 1996-2003 and Xplorer 500 4x4, 1997-2003 Ed Scott,2004 Books in
Print Supplement ,2002 Backpacker ,2000-03 Backpacker brings the outdoors straight to the reader s doorstep inspiring
and enabling them to go more places and enjoy nature more often The authority on active adventure Backpacker is the world
s first GPS enabled magazine and the only magazine whose editors personally test the hiking trails camping gear and survival
tips they publish Backpacker s Editors Choice Awards an industry honor recognizing design feature and product innovation
has become the gold standard against which all other outdoor industry awards are measured **Clymer Polaris**
Sportsman 400, 450 & 500, 1996-2010 Ed Scott,2010

Unveiling the Power of Verbal Art: An Psychological Sojourn through **Wiring Diagram 4x4 Polaris Scrambler 400**

In a global inundated with monitors and the cacophony of immediate communication, the profound power and psychological resonance of verbal beauty frequently diminish into obscurity, eclipsed by the constant barrage of noise and distractions. However, nestled within the lyrical pages of **Wiring Diagram 4x4 Polaris Scrambler 400**, a charming work of literary beauty that pulses with fresh feelings, lies an wonderful journey waiting to be embarked upon. Composed by way of a virtuoso wordsmith, this magical opus courses viewers on a mental odyssey, gently revealing the latent potential and profound impact stuck within the complicated web of language. Within the heart-wrenching expanse of the evocative analysis, we will embark upon an introspective exploration of the book is key themes, dissect their interesting publishing style, and immerse ourselves in the indelible effect it leaves upon the depths of readers souls.

<http://www.frostbox.com/results/detail/default.aspx/solidworks%20tutorials%20guide%20robotic%20design.pdf>

Table of Contents Wiring Diagram 4x4 Polaris Scrambler 400

1. Understanding the eBook Wiring Diagram 4x4 Polaris Scrambler 400
 - The Rise of Digital Reading Wiring Diagram 4x4 Polaris Scrambler 400
 - Advantages of eBooks Over Traditional Books
2. Identifying Wiring Diagram 4x4 Polaris Scrambler 400
 - Exploring Different Genres
 - Considering Fiction vs. Non-Fiction
 - Determining Your Reading Goals
3. Choosing the Right eBook Platform
 - Popular eBook Platforms
 - Features to Look for in an Wiring Diagram 4x4 Polaris Scrambler 400
 - User-Friendly Interface
4. Exploring eBook Recommendations from Wiring Diagram 4x4 Polaris Scrambler 400
 - Personalized Recommendations

- Wiring Diagram 4x4 Polaris Scrambler 400 User Reviews and Ratings
- Wiring Diagram 4x4 Polaris Scrambler 400 and Bestseller Lists
- 5. Accessing Wiring Diagram 4x4 Polaris Scrambler 400 Free and Paid eBooks
 - Wiring Diagram 4x4 Polaris Scrambler 400 Public Domain eBooks
 - Wiring Diagram 4x4 Polaris Scrambler 400 eBook Subscription Services
 - Wiring Diagram 4x4 Polaris Scrambler 400 Budget-Friendly Options
- 6. Navigating Wiring Diagram 4x4 Polaris Scrambler 400 eBook Formats
 - ePub, PDF, MOBI, and More
 - Wiring Diagram 4x4 Polaris Scrambler 400 Compatibility with Devices
 - Wiring Diagram 4x4 Polaris Scrambler 400 Enhanced eBook Features
- 7. Enhancing Your Reading Experience
 - Adjustable Fonts and Text Sizes of Wiring Diagram 4x4 Polaris Scrambler 400
 - Highlighting and Note-Taking Wiring Diagram 4x4 Polaris Scrambler 400
 - Interactive Elements Wiring Diagram 4x4 Polaris Scrambler 400
- 8. Staying Engaged with Wiring Diagram 4x4 Polaris Scrambler 400
 - Joining Online Reading Communities
 - Participating in Virtual Book Clubs
 - Following Authors and Publishers Wiring Diagram 4x4 Polaris Scrambler 400
- 9. Balancing eBooks and Physical Books Wiring Diagram 4x4 Polaris Scrambler 400
 - Benefits of a Digital Library
 - Creating a Diverse Reading Collection Wiring Diagram 4x4 Polaris Scrambler 400
- 10. Overcoming Reading Challenges
 - Dealing with Digital Eye Strain
 - Minimizing Distractions
 - Managing Screen Time
- 11. Cultivating a Reading Routine Wiring Diagram 4x4 Polaris Scrambler 400
 - Setting Reading Goals Wiring Diagram 4x4 Polaris Scrambler 400
 - Carving Out Dedicated Reading Time
- 12. Sourcing Reliable Information of Wiring Diagram 4x4 Polaris Scrambler 400
 - Fact-Checking eBook Content of Wiring Diagram 4x4 Polaris Scrambler 400

- Distinguishing Credible Sources
13. Promoting Lifelong Learning
- Utilizing eBooks for Skill Development
 - Exploring Educational eBooks
14. Embracing eBook Trends
- Integration of Multimedia Elements
 - Interactive and Gamified eBooks

Wiring Diagram 4x4 Polaris Scrambler 400 Introduction

In the digital age, access to information has become easier than ever before. The ability to download Wiring Diagram 4x4 Polaris Scrambler 400 has revolutionized the way we consume written content. Whether you are a student looking for course material, an avid reader searching for your next favorite book, or a professional seeking research papers, the option to download Wiring Diagram 4x4 Polaris Scrambler 400 has opened up a world of possibilities. Downloading Wiring Diagram 4x4 Polaris Scrambler 400 provides numerous advantages over physical copies of books and documents. Firstly, it is incredibly convenient. Gone are the days of carrying around heavy textbooks or bulky folders filled with papers. With the click of a button, you can gain immediate access to valuable resources on any device. This convenience allows for efficient studying, researching, and reading on the go. Moreover, the cost-effective nature of downloading Wiring Diagram 4x4 Polaris Scrambler 400 has democratized knowledge. Traditional books and academic journals can be expensive, making it difficult for individuals with limited financial resources to access information. By offering free PDF downloads, publishers and authors are enabling a wider audience to benefit from their work. This inclusivity promotes equal opportunities for learning and personal growth. There are numerous websites and platforms where individuals can download Wiring Diagram 4x4 Polaris Scrambler 400. These websites range from academic databases offering research papers and journals to online libraries with an expansive collection of books from various genres. Many authors and publishers also upload their work to specific websites, granting readers access to their content without any charge. These platforms not only provide access to existing literature but also serve as an excellent platform for undiscovered authors to share their work with the world. However, it is essential to be cautious while downloading Wiring Diagram 4x4 Polaris Scrambler 400. Some websites may offer pirated or illegally obtained copies of copyrighted material. Engaging in such activities not only violates copyright laws but also undermines the efforts of authors, publishers, and researchers. To ensure ethical downloading, it is advisable to utilize reputable websites that prioritize the legal distribution of content. When downloading Wiring Diagram 4x4 Polaris Scrambler 400, users should also consider the potential security risks associated with online platforms. Malicious actors may exploit

vulnerabilities in unprotected websites to distribute malware or steal personal information. To protect themselves, individuals should ensure their devices have reliable antivirus software installed and validate the legitimacy of the websites they are downloading from. In conclusion, the ability to download Wiring Diagram 4x4 Polaris Scrambler 400 has transformed the way we access information. With the convenience, cost-effectiveness, and accessibility it offers, free PDF downloads have become a popular choice for students, researchers, and book lovers worldwide. However, it is crucial to engage in ethical downloading practices and prioritize personal security when utilizing online platforms. By doing so, individuals can make the most of the vast array of free PDF resources available and embark on a journey of continuous learning and intellectual growth.

FAQs About Wiring Diagram 4x4 Polaris Scrambler 400 Books

How do I know which eBook platform is the best for me? Finding the best eBook platform depends on your reading preferences and device compatibility. Research different platforms, read user reviews, and explore their features before making a choice. Are free eBooks of good quality? Yes, many reputable platforms offer high-quality free eBooks, including classics and public domain works. However, make sure to verify the source to ensure the eBook credibility. Can I read eBooks without an eReader? Absolutely! Most eBook platforms offer web-based readers or mobile apps that allow you to read eBooks on your computer, tablet, or smartphone. How do I avoid digital eye strain while reading eBooks? To prevent digital eye strain, take regular breaks, adjust the font size and background color, and ensure proper lighting while reading eBooks. What the advantage of interactive eBooks? Interactive eBooks incorporate multimedia elements, quizzes, and activities, enhancing the reader engagement and providing a more immersive learning experience. Wiring Diagram 4x4 Polaris Scrambler 400 is one of the best book in our library for free trial. We provide copy of Wiring Diagram 4x4 Polaris Scrambler 400 in digital format, so the resources that you find are reliable. There are also many Ebooks of related with Wiring Diagram 4x4 Polaris Scrambler 400. Where to download Wiring Diagram 4x4 Polaris Scrambler 400 online for free? Are you looking for Wiring Diagram 4x4 Polaris Scrambler 400 PDF? This is definitely going to save you time and cash in something you should think about.

Find Wiring Diagram 4x4 Polaris Scrambler 400 :

solidworks tutorials guide robotic design

solis coffee grinder manual

[solution manual cost accounting raiborn kinney](#)

solution manual for production and operations analysis

solution manual fundamentals of analog circuits

[solution manual financial accounting valix 2015](#)

[solution manual for managerial accounting 9th edition](#)

solution manual cost accounting horngren 14e

solution manual for network analysis with applications

solution manual for wood design

~~solution manual business forecasting~~

solution manual for ikoku

~~solution manual heat transfer 6th edition~~

solution manual for combustion glassman

solution manual for intermediate financial management

Wiring Diagram 4x4 Polaris Scrambler 400 :

[palomar crumpled sky mapa del cielo multicolor](#) - Dec 10 2022

jan 9 2023 4730014 palomar crumpled sky mapa del cielo multicolor 1 4 downloaded from ctwelland clearfit com on by guest palomar crumpled sky mapa del cielo multicolor

palomar crumpled sky mapa del cielo multicolor pdf archie e - Nov 28 2021

may 28 2023 it is your categorically own mature to produce an effect reviewing habit in the midst of guides you could enjoy now is palomar crumpled sky mapa del cielo multicolor

palomar crumpled sky mappa del cielo autunno inverno - Apr 14 2023

nov 28 2022 palomar crumpled sky mappa del cielo autunno inverno il cielo stellato sopra le nostre teste è una fonte inesauribile di sogni il cielo stellato ha un aspetto diverso a

palomar crumpled sky mapa del cielo multicolor - Jan 31 2022

palomar crumpled sky mapa del cielo multicolor recognizing the habit ways to get this book palomar crumpled sky mapa del cielo multicolor is additionally useful you have remained

palomar crumpled sky mapa del cielo multicolor jbedssofa - Mar 01 2022

right here we have countless ebook palomar crumpled sky mapa del cielo multicolor and collections to check out we additionally present variant types and furthermore type of the

palomar crumpled sky mapa del cielo multicolor by palomar - Jun 04 2022

may 13th 2020 palomar crumpled sky mapa del cielo multicolor guía del cielo 2020 para la observación a simple vista de constelaciones y planetas luna eclipses y

palomar crumpled sky mapa del cielo multicolor pdf copy - Feb 12 2023

books afterward this one merely said the palomar crumpled sky mapa del cielo multicolor pdf is universally compatible in the same way as any devices to read biological

palomar crumpled sky mapa del cielo multicolor pdf - Dec 30 2021

may 28 2023 palomar crumpled sky mapa del cielo multicolor pdf right here we have countless ebook palomar crumpled sky mapa del cielo multicolor pdf and collections to

palomar crumpled sky mapa del cielo multicolor copy test thelyst - Sep 07 2022

you may not be perplexed to enjoy all ebook collections palomar crumpled sky mapa del cielo multicolor that we will entirely offer it is not nearly the costs its very nearly what you need

palomar crumpled sky mapa del cielo multicolor amazon es - Jul 17 2023

palomar crumpled sky mapa del cielo multicolor amazon es libros saltar al contenido principal es hola elige tu dirección oficina y papelería selecciona el departamento que

descarga palomar crumpled sky mapa del cielo multicolor de - May 15 2023

jan 23 2021 name palomar crumpled sky mapa del cielo multicolor autor palomar categoria libros ciencias tecnología y medicina ciencias de la tierra geografía consulta

palomar crumpled sky mapa del cielo multicolor waptac - Apr 02 2022

palomar crumpled sky mapa del cielo multicolor palomar crumpled sky mapa del cielo multicolor 3 downloaded from waptac org on 2023 07 20 by guest jungle ruins of

crumpled city map tokyo palomar s r l 9788890426490 - Jul 05 2022

jan 1 2011 map from 33 99 2 used from 33 99 the crumpled city map is easy to read has a contemporary design and is perfect for world travelers exploring a new city each foldable

lee un libro palomar crumpled sky mapa del cielo multicolor - Jan 11 2023

nov 29 2020 name palomar crumpled sky mapa del cielo multicolor autor palomar categoria libros ciencias tecnología y medicina ciencias de la tierra geografía consulta

palomar crumpled sky mapa del cielo multicolor pdf - Nov 09 2022

2 palomar crumpled sky mapa del cielo multicolor 2020 01 28 forward to the coming rapture and someone seems to have misplaced the antichrist harper collins this title

palomar crumpled sky mapa del cielo multicolor pdf - May 03 2022

palomar crumpled sky mapa del cielo multicolor 1 palomar crumpled sky mapa del cielo multicolor deezen book of ideas principles of data mining to life good omens palomar

crumpled sky palomarweb - Sep 19 2023

this map of the sky is an offshoot of the crumpled city project thanks to the graphic and formal development this map becomes an original project dedicated to rediscovering an age old

palomar crumpled sky mapa del cielo multicolor pdf - Oct 08 2022

crumpled sky mapa del cielo multicolor is within reach in our digital library an online entry to it is set as public suitably you can download it instantly our digital

crumpled sky map fall winter by palomar europeanbliss com - Mar 13 2023

you also have to be a dreamer they are the lightest maps in the world indestructible soft and 100 waterproof weighs less than one ounce they can be crumpled squashed and crushed

gratis palomar crumpled sky mapa del cielo multicolor de - Jun 16 2023

feb 2 2021 descargar ebook palomar crumpled sky mapa del cielo multicolor de palomar pdf epub mobi gratis comprar ebook palomar crumpled sky mapa del cielo

palomar crumpled sky mapa del cielo multicolor full pdf - Aug 06 2022

palomar crumpled sky mapa del cielo multicolor right here we have countless ebook palomar crumpled sky mapa del cielo multicolor and collections to check out we

palomar crumpled sky mapa de cielo multicolor amazon es - Aug 18 2023

si estás de acuerdo también utilizaremos las cookies para complementar tu experiencia de compra en las tiendas de amazon tal y como se describe en nuestro aviso de cookies esto

courseware designed to keep psychology students engaged mcgraw hill - Oct 22 2023

web mcgraw hill education milestones a groundbreaking longitudinal video series milestones is an assignable and assessable feature within connect psychology tracking the physical social and emotional development of real children from infancy through adolescence students experience life as it unfolds santrock life span development 16e

[connect 1 semester access card for psychsmart mcgraw hill](#) - Apr 04 2022

web jan 1 2014 psychsmart is a member of the mcgraw hill m series family and the m series started with your students through extensive student research we have created a textbook and learning system designed to meet the needs and maximize the workflow habits of today s college students

psychsmart second edition mcgraw hill google books - Apr 16 2023

web jan 11 2012 psychsmart second edition author mcgraw hill publisher mcgraw hill higher education 2012 isbn 0077434870 9780077434878 subjects psychology

psychsmart mcgraw hill education 9780078035289 books - Dec 12 2022

web psychsmart is a member of the mcgraw hill m series family and the m series started with your students through extensive student research we have created a textbook and learning system designed to meet the needs and maximize the workflow habits of today s college students

psychsmart mcgraw hill education google books - Jun 18 2023

web psychsmart is a member of the mcgraw hill m series family and the m series started with your students through extensive student research we have created a textbook and learning system

smartbook connect mcgraw hill higher education - Nov 11 2022

web engage and prepare your students with smartbook mcgraw hill s adaptive learning solution is rooted in science enabling you to boost student engagement build on their knowledge and prepare them for whatever comes next take the tour

smartbook mcgraw hill asia - May 05 2022

web smartbook prompts learners with questions as they study course material creating a personalized learning experience individual answers are assessed and topics that require further study are identified this adaptive technology creates a personalized learning path and equips every student for success

psychsmart mcgraw hill education 9780078035289 abebooks - Sep 09 2022

web psychsmart is a member of the mcgraw hill m series family and the m series started with your students through extensive student research we have created a textbook and learning system designed to meet the needs and maximize the workflow habits of today s college students

psychsmart by mcgraw hill education goodreads - Mar 15 2023

web jan 12 2010 psychsmart is the newest member of the mcgraw hill m series family and the m series started with your students through extensive student research we have created a textbook and learning system designed to meet the needs and maximize the workflow habits of today s college students

psychsmart by mcgraw hill 9780078035234 booktopia - Aug 08 2022

web psychsmart is the newest member of the mcgraw hill m series family and the m series started with your students through extensive student research we have created a textbook and learning system designed to meet the needs and maximize the workflow habits of today s college students

psychology textbooks digital solutions mcgraw hill canada - Mar 03 2022

web connect for psychology from assigning online homework and assessments to analyzing student progress reports connect

for psychology provides a complete digital solution for your course perfect for any face to face online or hybrid class connect psychology provides students a road map for success and ensures every minute they spend studying

psychsmart mcgraw hill amazon sg books - May 17 2023

web meet psychsmart 2e from mcgraw hill psychsmart is a member of the mcgraw hill m series family and the m series started with your students through extensive student research we have created a textbook and learning system designed to meet the needs and maximize the workflow habits of today s college students

psychsmart by mcgraw hill education goodreads - Oct 10 2022

web 448 pages kindle edition first published july 1 2012 book details editions

psychsmart information center - Feb 14 2023

web please check with your instructor or mcgraw hill learning technology representative on the availability of current editions instructors to experience this product firsthand contact your mcgraw hill education learning technology specialist

mcgraw hill psych smart 2023 cyberlab sutd edu sg - Jul 07 2022

web mcgraw hill psych smart new kinds of smart teaching young people to be intelligent for today s world feb 21 2023 new kinds of smart presents the most important of these changes to practising teachers and educators and invites them to think about their implications for school cambridge handbook of psychology health and medicine jan

psychsmart information center mcgraw hill education - Sep 21 2023

web psychsmart is the newest member of the mcgraw hill m series family and the m series started with your students through extensive student research we have created a textbook and learning system designed to meet the needs and maximize the workflow habits of today s college students

mcgraw hill education - Jun 06 2022

web home of peer review

psychsmart mcgraw hill education - Aug 20 2023

web mcgraw hill higher education is one of the many fine businesses of the mcgraw hill companies log in instructors may log in here to access additional teaching material for this site

psychsmart edition 1 by mcgraw hill mcgraw hill mcgraw hill mcgraw - Jan 13 2023

web jan 12 2010 psychsmart is the newest member of the mcgraw hill m series family and the m series started with your students through extensive student research we have created a textbook and learning system designed to meet the needs and maximize the workflow habits of today s college students

psychsmart mcgraw hill mcgraw hill google books - Jul 19 2023

web jan 12 2010 psychsmart is the newest member of the mcgraw hill m series family and the m series started with your

students through extensive student research we have created a textbook and

vacuum line routing diagram ford truck enthusiasts forums - Aug 15 2023

web jan 21 2019 does anyone have or know where to find a vacuum line routing diagram for my 2014 f250 i have almost everything put back together except for one vacuum line i can not figure out where it goes somewhere within 6 inches of the passenger side top of the rad shroud reply like 2 01 19 2019 07 23 pm clintbonnie cargo master join date

vacuum line diagrams 1980 1986 ford f150 f250 and f350 - Sep 04 2022

web may 14 2023 vacuum line diagrams discussion in 1980 1986 ford f150 f250 and f350 truck forum started by creole

pippens may 13 2023 previous thread next thread creole pippens

ford super duty diesel vacuum lines youtube - Jul 02 2022

web jul 2 2018 intro ford super duty diesel vacuum lines ctrlaltdfeattv 17 8k subscribers subscribe 1 2k 119k views 5 years ago if your hvac will only blow on defrost it may be due to a vacuum leak somewhere

vacuum diagrams for my 1973 f 250 ford trucks com - Nov 06 2022

web jun 2 2011 1973 1979 f 100 larger f series trucks vacuum diagrams for my 1973 f 250 i have the factory set of service manuals and was suprised they did not have any vacuum diagrams i need a vacuum diagram for my california f 250 camper special 2 wheel drive it is a 360 2 barrel automatic are there any links someone

solved i need to find a vacuum line diagram for a f 250 fixya - Aug 03 2022

web mar 8 2015 i need to find a vacuum line diagram for a f 250 5 4 engine that i am installing didn t take the engine out so have some what of a problem with emission and vacuum lines posted by richard davila on mar 08 2015 find parts for your 2005 ford f 250 super duty check price ebay

need help with vacuum lines ford powerstroke diesel forum - Apr 30 2022

web nov 15 2012 hi got an 06 f250 6 0 im having problems with the vacuum lines i have had the cab off to do heads and gaskets and i seem to misplaced a vacuum line i have one unhooked off of the vacuum reservoir also only my defrost is blowing heat and front end is spinning in 2wd i cant find a diagram anywhere and ive read up a little bit on why its

86 ford f250 vacuum diagram ford truck enthusiasts forums - Dec 07 2022

web sep 14 2011 ok here is the deal i have the factory service manuals for 1986 it covers f150 to f350 e150 to e350 as well as broncos i looked through the manual and found a diagram listed as manual a c heater system vacuum diagram and selector test i believe this is what you need i will post it as soon as i can i am going to try and scan it

vacuum hose 5 4 triton vacuum diagram fordmasterx - Jun 01 2022

web oct 20 2022 it is a simple diagram that shows the various hoses and connections that make up the 5 4 triton engine s vacuum system the diagram is essential for anyone who needs to work on the engine as it helps to ensure

ford f250 5 4l vacuum reservoir test and repair youtube - Jul 14 2023

web aug 22 2021 ford f250 5 4l vacuum reservoir test and repair my a c air flow would stop upon acceleration and resume at steady speed that indicated to me that i had a vacuum issue this video shows you how

ford f 250 questions vacuum diagram cargurus - Feb 26 2022

web vacuum diagram 3 answers i have a 1995 ford f250 with a 7 5 liter motor that i really need a vacuum hose diagram for please

the ultimate guide to the 1999 ford f250 vacuum diagram - Oct 05 2022

web find the vacuum diagram for a 1999 ford f250 to help with troubleshooting and repairing any vacuum related issues our diagram provides detailed information on the vacuum lines and components in your f250 making it easier

vacuum diagram ford power stroke nation - Jan 28 2022

web sep 20 2021 vacuum diagram pdf 339 6 kb views 1 368 97 f250 sc 4x4 e4od 4 10 ls basically stock relocated block heater plug ext trans filter tru cool max i c mounted but not plumbed sold 94 f350 cc drw psd 5 speed 4 10 ls sbc con o baldwin filter tymar hpx hose 3 dp bilsteins 12 aic coolant filter explorer o h

vacuum hose routing where to get diagrams ford trucks com - May 12 2023

web sep 9 2005 vacuum hose routing where to get diagrams find your vacuum diagram free at autozone com click on repair guides and then your yr make model info they are still adding to that section but it does hv diagrams for ford trucks a couple questions for you motorheads

1981 f250 vacuum diagram where can i get the vacuum diagram - Dec 27 2021

web lawrynnowicz hotmail com member 1981 ford f 250 v8 2wd manual 337 000 miles where can i get the vacuum diagram for a 1981 f250 with a 400 engine the sticker is not on the truck

2001 f250 w v10 guide to vacuum lines and components - Jun 13 2023

web aug 17 2022 0 00 27 35 2001 f250 w v10 guide to vacuum lines and components owen bishop 388 subscribers 5 9k views 1 year ago i ve been wanting to make this video for a long time but not until i fixed

gas need vacuum diagrams 2006 f250 5 4 super duty ford - Apr 11 2023

web jun 26 2020 having problems finding vacuum diagrams for my 06 f250 5 4 super duty reason for needing these diagrams is i found a gray plastic line i m assuming it s vacuum either unhooked or broken on the passenger side under the hood this may be why i smell gas in the cab or why it stumbles at idle or why it about killed me on the freeway the

460 v8 vacuum diagrams gary s garagemahal the bullnose - Feb 09 2023

web 460 v8 vacuum diagrams vacuum routing and engine specification diagrams for these engines

78 79 emission vacuum diagram picture reference - Mar 30 2022

web mar 19 2012 tnt89bronco discussion starter feb 29 2012 i wanted to create a reference sheet that can help eliminate some of the confusion in trying to decode the vacuum diagrams and figuring out what those parts look like here is the vacuum diagram i am working from simply as a reference

gas vacuum lines diagram 1999 2007 ford f250 super - Jan 08 2023

web jun 1 2022 does anyone have a diagram of the vacuum lines coming of the vacuum cannister what i find on google is not helping me at all it is a ford f250 super duty with 5 4l

vacuum diagrams where to find them ford truck enthusiasts forums - Mar 10 2023

web jul 1 2021 received 47 likes on 33 posts vacuum diagrams where to find them curious if the vacuum diagrams for a 1975 f250 with a 360 2 barrel c6 transmission are anywhere to be found i have the ford factory manuals for 1975 trucks and i have not been able to locate any info on vacuum diagrams thanks