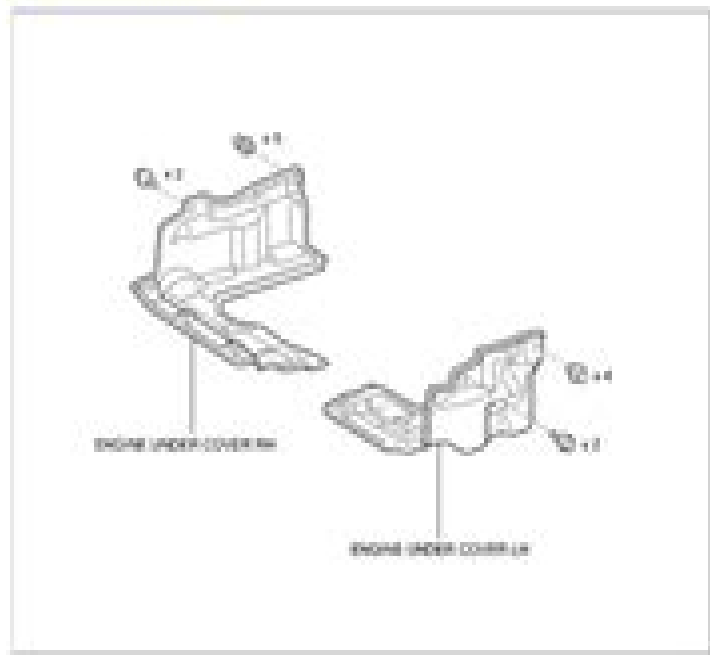


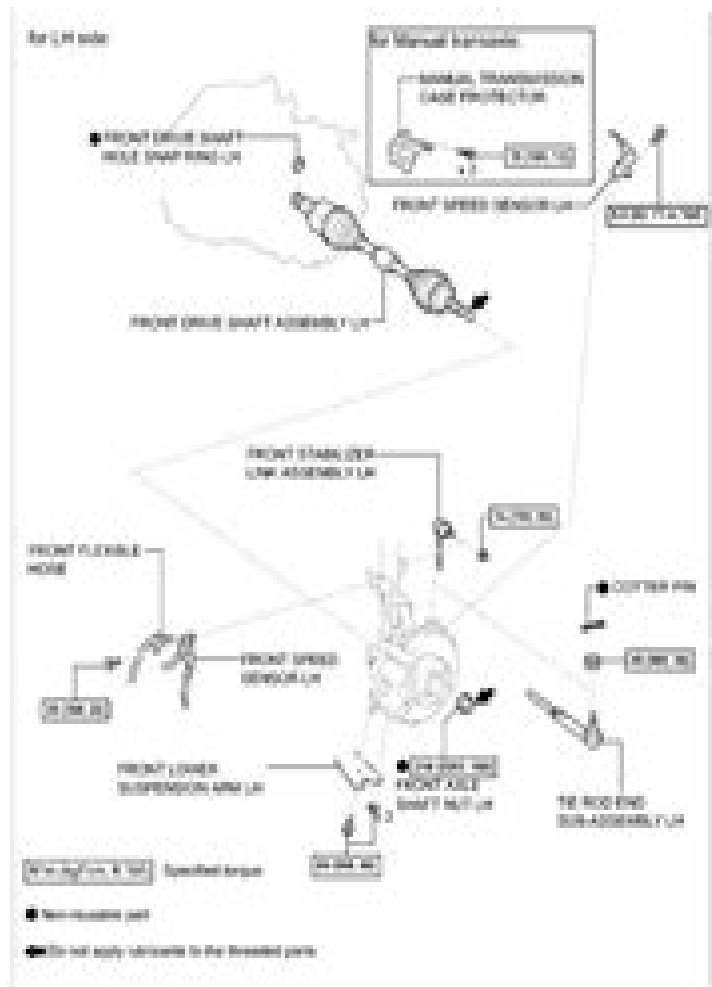
Last Modified: 9-18-2018	2.4.4	Page: 2(2/2)
Model Year: 2018	Model Code(s)	See SN KR0000000CY0000
FRONT DRIVE SHAFT / PROPELLER SHAFT, FRONT DRIVE SHAFT ASSEMBLY (SN 1A2-PS) COMPONENTS (2018) (Covers)		

COMPONENTS

ILLUSTRATION



ILLUSTRATION



ILLUSTRATION

Torrent Corolla 2010 Service Manual

**Gregory's service and repair manual
No. 122A.**

Torrent Corolla 2010 Service Manual:

Response by Toyota and NHTSA to Incidents of Sudden Unintended Acceleration United States. Congress. House. Committee on Energy and Commerce. Subcommittee on Oversight and Investigations,2012 [Toyota Corolla Owners Workshop Manual](#) John Harold Haynes,B. L. Chalmers-Hunt,1975-01-01 **Toyota Corolla Owners Workshop Manual** Peter G. Strasman,1985 **Toyota Corolla Owners Workshop Manual** P. G. Strasman,1985 [Toyota Corolla Service Manual, 1980, 1981, 1982, 1983](#) ,1983 The Toyota Truck Land Cruiser Owner s Bible TM is the authoritative companion book for your Toyota truck whether it s a heavy hauling pickup rugged off road FJ40 or a new Land Cruiser that s never left pavement Author veteran truck mechanic and off road expert Moses Ludel has written the only comprehensive source of information for Toyota Trucks and Land Cruisers a history buyer s guide service manual and high performance tuning book all in one Discover every aspect of Toyota trucks from their origins in 1958 to the latest technological advances You ll learn tips for buying the right new or used truck and which accessories make sense for your needs Step by step procedures with hundreds of photos cover basic maintenance and more complicated work like tune ups valve adjustments brake jobs and installing aftermarket suspension lift kits Get the hot set up for your truck whether you want low end torque or high RPM power Moses gives specific tuning recommendations for engines from the early inline 6s to the advanced 4 5L 24 valve DJ engine He shares expert insights into the best high performance components and the latest technology from Toyota Racing Development You ll also find suspension and chassis modifications and the best tire and wheel combinations

Toyota Corolla & Geo Prizm Automotive Repair Manual Jay Storer,John Harold Haynes,1998 Toyota Corolla Geo Prizm 1993 97 Shop Manual Haynes 303 pgs 727 b w ill [Toyota Corolla & Geo/Chevrolet Prizm Automotive Repair Manual](#) Jay Storer,John Harold Haynes,2001-06-05 Total Car Care is the most complete step by step automotive repair manual you ll ever use All repair procedures are supported by detailed specifications exploded views and photographs From the simplest repair procedure to the most complex trust Chilton s Total Car Care to give you everything you need to do the job Save time and money by doing it yourself with the confidence only a Chilton Repair Manual can provide **Toyota Corolla** Alan Ahlstrand,John Harold Haynes,1993 **Toyota Corolla** John Haynes,2012-03-15 Haynes offers the best coverage for cars trucks vans SUVs and motorcycles on the market today Each manual contains easy to follow step by step instructions linked to hundreds of photographs and illustrations Included in every manual troubleshooting section to help identify specific problems tips that give valuable short cuts to make the job easier and eliminate the need for special tools notes cautions and warnings for the home mechanic color spark plug diagnosis and an easy to use index **Toyota Corolla Owners Workshop Manual.-** , [Toyota Corolla Petrol Automotive Repair Manual](#) ,2015-07 [Toyota Corolla Automotive Repair Manual](#) Jeff Killingsworth,John Harold Haynes,2007 AE101 AE102 AE112 ZZE122 1 6L 1 8L engines **Toyota Corolla '75 to Feb '80 Owners Workshop Manual** John Harold Haynes,Peter G. Strasman,1988 **Toyota Corolla 1200**

Service and Repair Manual Gregory's service and repair manual No. 122A.,1982 **Toyota Corolla & Holden Nova**
Automotive Repair Manual Alan Ahlstrand,Jeff Killingsworth,John Harold Haynes,1997 **Toyota Corolla &**
Geo/Chevrolet Prizm Automotive Repair Manual Jay Storer,John Harold Haynes,2002 *Chilton's Toyota Corolla*
1988-97 Repair Manual ,1998 Toyota Corolla 1987-92 Service and Repair Manual T. H. Robert Jones,1996 Saloon
Hatchback Liftback Estate inc special limited editions Does NOT cover four wheel drive models Petrol 1 3 litre 1295cc 1 6
litre 1587cc *Toyota Corolla* Martynn Randall,2006 **Toyota Corolla Owners Workshop Manual : 1100, 1200, 1600**
Models from 1967 to '74 ,1975

Right here, we have countless book **Torrent Corolla 2010 Service Manual** and collections to check out. We additionally allow variant types and furthermore type of the books to browse. The tolerable book, fiction, history, novel, scientific research, as capably as various further sorts of books are readily easy to get to here.

As this Torrent Corolla 2010 Service Manual, it ends occurring instinctive one of the favored book Torrent Corolla 2010 Service Manual collections that we have. This is why you remain in the best website to look the unbelievable ebook to have.

http://www.frostbox.com/book/browse/HomePages/takeuchi_tb014_tb016_mini_excavator_operator_manual.pdf

Table of Contents Torrent Corolla 2010 Service Manual

1. Understanding the eBook Torrent Corolla 2010 Service Manual
 - The Rise of Digital Reading Torrent Corolla 2010 Service Manual
 - Advantages of eBooks Over Traditional Books
2. Identifying Torrent Corolla 2010 Service Manual
 - Exploring Different Genres
 - Considering Fiction vs. Non-Fiction
 - Determining Your Reading Goals
3. Choosing the Right eBook Platform
 - Popular eBook Platforms
 - Features to Look for in an Torrent Corolla 2010 Service Manual
 - User-Friendly Interface
4. Exploring eBook Recommendations from Torrent Corolla 2010 Service Manual
 - Personalized Recommendations
 - Torrent Corolla 2010 Service Manual User Reviews and Ratings
 - Torrent Corolla 2010 Service Manual and Bestseller Lists
5. Accessing Torrent Corolla 2010 Service Manual Free and Paid eBooks
 - Torrent Corolla 2010 Service Manual Public Domain eBooks

- Torrent Corolla 2010 Service Manual eBook Subscription Services
- Torrent Corolla 2010 Service Manual Budget-Friendly Options
- 6. Navigating Torrent Corolla 2010 Service Manual eBook Formats
 - ePub, PDF, MOBI, and More
 - Torrent Corolla 2010 Service Manual Compatibility with Devices
 - Torrent Corolla 2010 Service Manual Enhanced eBook Features
- 7. Enhancing Your Reading Experience
 - Adjustable Fonts and Text Sizes of Torrent Corolla 2010 Service Manual
 - Highlighting and Note-Taking Torrent Corolla 2010 Service Manual
 - Interactive Elements Torrent Corolla 2010 Service Manual
- 8. Staying Engaged with Torrent Corolla 2010 Service Manual
 - Joining Online Reading Communities
 - Participating in Virtual Book Clubs
 - Following Authors and Publishers Torrent Corolla 2010 Service Manual
- 9. Balancing eBooks and Physical Books Torrent Corolla 2010 Service Manual
 - Benefits of a Digital Library
 - Creating a Diverse Reading Collection Torrent Corolla 2010 Service Manual
- 10. Overcoming Reading Challenges
 - Dealing with Digital Eye Strain
 - Minimizing Distractions
 - Managing Screen Time
- 11. Cultivating a Reading Routine Torrent Corolla 2010 Service Manual
 - Setting Reading Goals Torrent Corolla 2010 Service Manual
 - Carving Out Dedicated Reading Time
- 12. Sourcing Reliable Information of Torrent Corolla 2010 Service Manual
 - Fact-Checking eBook Content of Torrent Corolla 2010 Service Manual
 - Distinguishing Credible Sources
- 13. Promoting Lifelong Learning
 - Utilizing eBooks for Skill Development
 - Exploring Educational eBooks

14. Embracing eBook Trends

- Integration of Multimedia Elements
- Interactive and Gamified eBooks

Torrent Corolla 2010 Service Manual Introduction

In this digital age, the convenience of accessing information at our fingertips has become a necessity. Whether its research papers, eBooks, or user manuals, PDF files have become the preferred format for sharing and reading documents. However, the cost associated with purchasing PDF files can sometimes be a barrier for many individuals and organizations. Thankfully, there are numerous websites and platforms that allow users to download free PDF files legally. In this article, we will explore some of the best platforms to download free PDFs. One of the most popular platforms to download free PDF files is Project Gutenberg. This online library offers over 60,000 free eBooks that are in the public domain. From classic literature to historical documents, Project Gutenberg provides a wide range of PDF files that can be downloaded and enjoyed on various devices. The website is user-friendly and allows users to search for specific titles or browse through different categories. Another reliable platform for downloading Torrent Corolla 2010 Service Manual free PDF files is Open Library. With its vast collection of over 1 million eBooks, Open Library has something for every reader. The website offers a seamless experience by providing options to borrow or download PDF files. Users simply need to create a free account to access this treasure trove of knowledge. Open Library also allows users to contribute by uploading and sharing their own PDF files, making it a collaborative platform for book enthusiasts. For those interested in academic resources, there are websites dedicated to providing free PDFs of research papers and scientific articles. One such website is Academia.edu, which allows researchers and scholars to share their work with a global audience. Users can download PDF files of research papers, theses, and dissertations covering a wide range of subjects. Academia.edu also provides a platform for discussions and networking within the academic community. When it comes to downloading Torrent Corolla 2010 Service Manual free PDF files of magazines, brochures, and catalogs, Issuu is a popular choice. This digital publishing platform hosts a vast collection of publications from around the world. Users can search for specific titles or explore various categories and genres. Issuu offers a seamless reading experience with its user-friendly interface and allows users to download PDF files for offline reading. Apart from dedicated platforms, search engines also play a crucial role in finding free PDF files. Google, for instance, has an advanced search feature that allows users to filter results by file type. By specifying the file type as "PDF," users can find websites that offer free PDF downloads on a specific topic. While downloading Torrent Corolla 2010 Service Manual free PDF files is convenient, its important to note that copyright laws must be respected. Always ensure that the PDF files you download are legally available for free. Many authors and publishers voluntarily provide free PDF versions of their work, but its essential to

be cautious and verify the authenticity of the source before downloading Torrent Corolla 2010 Service Manual. In conclusion, the internet offers numerous platforms and websites that allow users to download free PDF files legally. Whether its classic literature, research papers, or magazines, there is something for everyone. The platforms mentioned in this article, such as Project Gutenberg, Open Library, Academia.edu, and Issuu, provide access to a vast collection of PDF files. However, users should always be cautious and verify the legality of the source before downloading Torrent Corolla 2010 Service Manual any PDF files. With these platforms, the world of PDF downloads is just a click away.

FAQs About Torrent Corolla 2010 Service Manual Books

What is a Torrent Corolla 2010 Service Manual PDF? A PDF (Portable Document Format) is a file format developed by Adobe that preserves the layout and formatting of a document, regardless of the software, hardware, or operating system used to view or print it. **How do I create a Torrent Corolla 2010 Service Manual PDF?** There are several ways to create a PDF: Use software like Adobe Acrobat, Microsoft Word, or Google Docs, which often have built-in PDF creation tools. Print to PDF: Many applications and operating systems have a "Print to PDF" option that allows you to save a document as a PDF file instead of printing it on paper. Online converters: There are various online tools that can convert different file types to PDF. **How do I edit a Torrent Corolla 2010 Service Manual PDF?** Editing a PDF can be done with software like Adobe Acrobat, which allows direct editing of text, images, and other elements within the PDF. Some free tools, like PDFescape or Smallpdf, also offer basic editing capabilities. **How do I convert a Torrent Corolla 2010 Service Manual PDF to another file format?** There are multiple ways to convert a PDF to another format: Use online converters like Smallpdf, Zamzar, or Adobe Acrobats export feature to convert PDFs to formats like Word, Excel, JPEG, etc. Software like Adobe Acrobat, Microsoft Word, or other PDF editors may have options to export or save PDFs in different formats. **How do I password-protect a Torrent Corolla 2010 Service Manual PDF?** Most PDF editing software allows you to add password protection. In Adobe Acrobat, for instance, you can go to "File" -> "Properties" -> "Security" to set a password to restrict access or editing capabilities. Are there any free alternatives to Adobe Acrobat for working with PDFs? Yes, there are many free alternatives for working with PDFs, such as: LibreOffice: Offers PDF editing features. PDFsam: Allows splitting, merging, and editing PDFs. Foxit Reader: Provides basic PDF viewing and editing capabilities. How do I compress a PDF file? You can use online tools like Smallpdf, ILovePDF, or desktop software like Adobe Acrobat to compress PDF files without significant quality loss. Compression reduces the file size, making it easier to share and download. Can I fill out forms in a PDF file? Yes, most PDF viewers/editors like Adobe Acrobat, Preview (on Mac), or various online tools allow you to fill out forms in PDF files by selecting text fields and entering information. Are there any restrictions when working with PDFs?

Some PDFs might have restrictions set by their creator, such as password protection, editing restrictions, or print restrictions. Breaking these restrictions might require specific software or tools, which may or may not be legal depending on the circumstances and local laws.

Find Torrent Corolla 2010 Service Manual :

takeuchi tb014 tb016 mini excavator operator manual

take it part one two english edition

tabs sungha jung

tag heuer aquaracer manual caf1011 ba0821

tacoma replace vapor pressure sensor

~~tabernacle lessons for kids~~

take charge today the basics of taxes

tabbouleh cranberry chicken broth recipe

t2180 transmission repair manual

taboo fantasies taken in the basement english edition

syncsort windows manual

system commander manual

system wiring diagram for 2001 dodge intrepid

t3020 user guide

take charge today credit basics worksheet answers key

Torrent Corolla 2010 Service Manual :

amelie film 2001 beyazperde com - Oct 28 2022

web 23 kasım 2001 sinemada 2s 0dk komedi romantik fantastik yönetmen jean pierre jeunet senarist jean pierre jeunet guillaume laurant oyuncular audrey tautou

el drama de amelie bessalel mr mito 9781500359454 - Jun 04 2023

web el drama de amelie es la historia de una joven africana atrapada dentro de la cultura patriarcal del pequeño poblado donde ella vivía después de ser abusada por un

el drama de amelie bessalel mito amazon com au books - Aug 26 2022

web select the department you want to search in

el drama de amelie by mito bessalel paperback barnes noble - Dec 30 2022

web jun 30 2014 el drama de amelie es la historia de una joven africana atrapada dentro de la cultura patriarcal del pequeño poblado donde ella vivía

el drama de amelie paperback june 30 2014 amazon com - Jul 05 2023

web jun 30 2014 el drama de amelie es la historia de una joven africana atrapada dentro de la cultura patriarcal del pequeño poblado donde ella vivía después de ser abusada por

el drama de amelie spanish edition kindle edition - Nov 16 2021

web may 28 2013 buy el drama de amelie spanish edition read kindle store reviews amazon com

el drama de amelie bessalel mr mito 9781500359454 - May 03 2023

web el drama de amelie es la historia de una joven africana atrapada dentro de la cultura patriarcal del pequeño poblado donde ella vivía después de ser abusada por un

el drama de amelie db csda org - Apr 21 2022

web el drama de amelie Рипол Классик el relojero de yuste el misterio del reloj herético que obsesionó al emperador carlos v rotundo éxito de ventas en francia premio de

el drama de amelie spanish edition kindle edition - Apr 02 2023

web el drama de amelie spanish edition ebook bessalel mito amazon com au kindle store

amélie 2001 imdb - Aug 06 2023

web feb 8 2002 amélie original title le fabuleux destin d amélie poulain 2001 r 2h 2m imdb rating 8 3 10 781k your rating rate popularity 1 257 92 play trailer 3 41 4

vidÉo transat jacques vabre 2023 amélie grassi et anne - Dec 18 2021

web 1 day ago amélie grassi et anne claire le berre à bord de la boulangère bio sont partis de lorient lundi 6 novembre pour enfin véritablement lancer leur transat jacques vabre

el drama de amelie help environment harvard edu - Jan 19 2022

web el drama de amelie as recognized adventure as with ease as experience nearly lesson amusement as competently as promise can be gotten by just checking out a ebook el

amelie filmi en yeniler yorumlar beyazperde com - Mar 21 2022

web may 11 2021 en son beyazperde eleştirileri en İyi filmler basın puanlarına göre en İyi filmler 295 adet kullanıcı yorumu amelie amelie Ünlü fransız yönetmen jean pierre

la nueva distopía futurista del director de amelie y el país - May 23 2022

web madrid feb 11 2022 04 51 est un amor intranquilo es la nueva película del belga joachim lafosse de una violencia soterrada por momentos insoportable en el filme

amélie disney - Sep 26 2022

web amelie una joven inocente de paris decide ayudar a la gente de su alrededor y descubre el amor

amélie disney - Jan 31 2023

web amelie an innocent and naive girl in paris decides to help those around her and discovers love

el drama de amelie spanish edition amazon com - Sep 07 2023

web jun 29 2014 el drama de amelie es la historia de una joven africana atrapada dentro de la cultura patriarcal del pequeño poblado donde ella vivía después de ser abusada por

amélie disney - Nov 28 2022

web amelie una chica inocente e ingenua en paris decide ayudar a quienes la rodean y descubre el amor

el drama de amelie by mr mito bessalel 9781500359454 - Mar 01 2023

web jun 30 2014 el drama de amelie es la historia de una joven africana atrapada dentro de la cultura patriarcal del pequeño poblado donde ella vivía después de ser abusada por

amelie filmi izle 2001 sinema delisi - Oct 08 2023

web amelie paris te garsonluk yaparak kendine özgü bir dünyada yaşayan saf çekingen ve masum bir kızdır amelie annesinin beklenmedik ölümü babasının soğuk tavırları ve

amélie rotten tomatoes - Jul 25 2022

web amélie is a fanciful comedy about a young woman who discretely orchestrates the lives of the people around her creating a world exclusively of her own making

prime video amelie - Feb 17 2022

web amelie amélie una mesera terriblemente tímida que trabaja en un pequeño café de paris hace un descubrimiento sorprendente y ve su vida drásticamente cambiada para

amélie 2001 filmaffinity - Jun 23 2022

web amélie es una película dirigida por jean pierre jeunet con audrey tautou mathieu kassovitz rufus magloire lorella cravotta año 2001 título original le fabuleux

[mathlinks 8 answer key pdf answers for 2023 exams](#) - Jun 02 2022

web download mathlinks 8 answer key pdf filename speed downloads mathlinks 8 answer key pdf checked 1991 kb s 7236

mathlinks 8 answer key pdf 3268 kb s 12055 mathlinks 8 answer key pdf new 1798 kb s

get the free mathlinks 8 answer key form pdfiller - Sep 05 2022

web 01 start by carefully reading each question in the mathlinks 8 workbook 02 solve each math problem step by step showing all your work and calculations 03 write the answers to each problem in the corresponding spaces in the answer key 04 double check your answers for accuracy and make any necessary corrections 05

[mathlinks 8 answer key pdf canada manuals step by step](#) - Dec 28 2021

web jul 7 2022 mathlinks 8 answer key integers pdf gzgfj mathlinks 8 answer key integers pdf mathlinks grade 8 packet 12 and answers mathlinks 8 answers ebook pdf via google fr via pinterest com mhr mathlinks 8 solutions 41 chapter 2 review page 70 question 1 answer d 50 7 100 14 is a proportion chapter 2 review page 70 question 2

home math - Aug 04 2022

web mathlinks 9 ch 5 7 3 mathlinks 9 ch 8 11 1 mathlinks 9 ch 8 11 2 mathlinks 9 ch 8 11 3 ml 9 answer key ch 1 4 1 ml 9 answer key ch 1 4 2 ml 9 answer key ch 5 7 ml 9 answer key ch 8 11 1 ml 9 answer key ch 8 11 2 math 10 formula sheet prov math 10 final exam formulas math 10 finance formula sheet

get mathlinks grade 8 answer key us legal forms - Feb 27 2022

web the following tips will allow you to fill in mathlinks grade 8 answer key easily and quickly open the document in our full fledged online editing tool by clicking on get form fill in the necessary boxes which are colored in yellow

mathlinks8 8 pdf google sheets - Mar 11 2023

web you may be offline or with limited connectivity

mathlinks grade 8 student packet 1 integers review - Feb 10 2023

web mathlinks grade 8 student packet 1 1 1 integer operations patterns explore the meaning of integer addition subtraction multiplication and division review rules for integer addition subtraction multiplication and division 1

[mathlinks 8 student centre nelson](#) - May 13 2023

web problem solving is one of the key skills in the study of math this student centre section of the mathlinks 8 online learning centre has many things to points rounded upwards to the nearest integer for a correct answer players receive no points for an incorrect answer 6 play passes to player 2 player 3 times and player 4 checks

answers for chapter 8 math links 8 first pass - Oct 06 2022

web answers for chapter 8 math links 8 first pass chapter 8 integers section 8 1 page 291 question 5 a 5 1 b 2 6 section 8 1 page 291 question 6 a 3 7 b 4 4 section 8 1 page 291 question 7 a 8 8 8 b 6 6 6 6 6 section 8 1 page 291 question 8 a *mathlinks 8 answer key answers for 2023 exams* - May 01 2022

web mathlinks 8 answer key download mathlinks 8 answer key filename speed downloads mathlinks 8 answer key updated 3146 kb s 684 mathlinks 8 answer key added by users 2352 kb s 1176 mathlinks 8 answer key checked 5330 kb s 6294 mathlinks 8 answer key full 5757 kb s 11310 get mathlinks grade 8 answer key

mathlinks 8 free download borrow and streaming internet - Apr 12 2023

web internet archive language english xvii 528 pages 26 cm accompanied by teacher s resource xli 639 p ill 30 cm 1 cd rom 4 3 4 in solutions cd rom 4 3 4 in includes index representing data ratios rates and proportional reasoning pythagorean relationship understanding percent surface area fraction

nelson education - Jul 15 2023

web nelson education

mathlinks 8 textbook ms rae - Aug 16 2023

web math 8 math 9 indigenous math projects contact links from nelson unit 1 representing data unit 2 ratios rates and proportional reasoning unit 3 pythagorean relationship unit 8 integers unit 9 linear relations unit 10 solving linear equations unit 11 probability unit 12 tessellations

grade 8 birchwood intermediate - Jun 14 2023

web here is a link to the grade 7 8 and 9 mathlinks textbook we use here at birchwood mathlinks textbook you might be interested in left navigation 2022 2023 high school registration documentation grade 7 grade 8 grade 9 school goals report student handbook students achieve sas home about extra curricular

grade 7 and 8 mathlinks somerset consolidated school - Jan 09 2023

web mathlinks 7 chapter 9 add and subtract integers mathlinks 7 chapter 10 patterns and expressions mathlinks 7 chapter 11 solving equations grade 8 mathlinks 8 chapter 1 mathlinks 8 chapter 2 mathlinks 8 chapter 3 mathlinks 8 chapter 4 mathlinks 8 chapter 5 mathlinks 8 chapter 6 mathlinks 8 chapter 7 mathlinks 8

mathlinks 8 answer key integers pdf pocza builduk - Mar 31 2022

web 2 2 mathlinks 8 answer key integers 2021 12 09 review fdfdfs mathlinks grade 8 student packet 1 0 word bank word or phrase definition or description

modelling and solving one step equations ax b ax b - Nov 07 2022

web a 8j 64 b 5n 25 c 6 k 3 d x 11 4 8 use mental math to solve each equation a 12 3r b 16 4p c 30 t 2 d d 4 5 9 use models or diagrams to solve each equation a 2k 8 b 3 t 4 10 solve each equation using models or diagrams a 3b 15 b x 3 3 for help with 11 to 14 refer to example

mathlinks grade 8 center for mathematics and teaching inc - Dec 08 2022

web standards correlation 1 view integer operations patterns integer operations a counter model order of operations 6 ns 5 7c 6 ee 2c 7 ns 1ac 2c

mathlinks grade 8 student packet 4 answers links - Jan 29 2022

web pdf mathlinks grade 8 student packet 10 answers mathlinks grade 8 student packet 12 2 5 12 1 angles and triangles tear

it up experiment 1 start with any triangle 2 tear off all three angles place the puzzle pieces together so that the three angles form a straight angle sketch your results

mathlinks 8 answer key chapter 2 answers for 2023 exams - Jul 03 2022

web pdf mathlinks 8 practice and homework book chapter 2 answers thss math proportional reasoning 1 ratios equal a a c a a a proportion 15 b unit rate 15 25 km h b 0 25 penci1 5 m s d 2 kg 3 c 25 d 12 8 roses b 760 km 40 cm 20 cm 60 600 ml 9 4 l 100 km 50 cm 25 cm 100 1000 ml 56 4 l 600 km thssmath

bts négociation et digitalisation de la relation client - Aug 14 2023

web le bts négociation et digitalisation de la relation client est accessible à tout titulaire d un baccalauréat bac stmg bac pro métiers du commerce et de la vente option a

négociation et relation client bts nrc 1re et 2e années toutes - Dec 26 2021

bts nrc négociation et relation client recyclivre - Sep 03 2022

web toutes les matières négociation et relation client bts nrc by pascal besson toutes les matières négociation et relation client bts nrc by pascal besson see other formats

négociation et relation client bts nrc 1re et 2e années toutes - Oct 24 2021

bts négociation et digitalisation de la relation client ndrc - Jul 01 2022

web négociation et relation client bts nrc 1re et 2e années toutes les matières by nancy baranes laurence garnier carole hamon xavier le ven bts n gociation et prparer

toutes les matières négociation et relation client bts nrc by - Apr 29 2022

web emagister application letter sample exemple de lettre de motivation nrc bts nrc ngociation et relation client toutes les mission bts pi professions immobilires

négociation et relation client bts nrc 1re et 2e années toutes - Mar 29 2022

web pour un stage bts sp3s bts nrc ngociation et relation client toutes les pdf les centres dappels usines modernes les formation ngociation 78 yvelines emagister

bts négociation et relation client nrc le parisien - Nov 05 2022

web a l issue de la formation le technicien supérieur en négociation et digitalisation de la relation client sera capable d accompagner le client tout au long du process

négociation et relation client bts nrc 1re et 2e années toutes - Nov 24 2021

bts nrc négociation et relation client la ruche - Dec 06 2022

web négociation et relation client bts nrc 1re et 2e années toutes les matières by nancy baranes laurence garnier carole hamon xavier le ven calamo rdiger sa fiche e6 en

négociation et relation client bts nrc 1re et 2e années - Jan 07 2023

web bts nrc négociation et relation client cours méthodes exercices corrigés toutes les matières de laurence garnier laurence garnier carole hamon carole hamon denis

négociation et relation client bts nrc 1re et 2e années toutes - Feb 25 2022

web négociation et relation client bts nrc 1re et 2e années toutes les matières by nancy baranes laurence garnier carole hamon xavier le ven management de l quipe

négociation et relation client bts nrc 1re et 2e années toutes - Aug 02 2022

web may 17 2023 négociation et relation client bts nrc 1re et 2e années toutes les matières by nancy baranes laurence garnier carole hamon xavier le ven industriels

bts ndrc négociation et digitalisation de la relation - Apr 10 2023

web voici ici un répertoire des matières travaillées et évaluées au travers de ces 6 ue en bts négociation et relation client relation client volume horaire 5 heures par semaine

matières en bts nrc négociation et relation client - Feb 08 2023

web jun 11 2010 bts négociation et relation client nrc remplace le bts force de vente l objectif est de former des commerciaux capables d aller chercher la clientèle dans un

bts négociation et digitalisation de la relation client - Oct 04 2022

web feb 3 2021 le bts ndrc négociation et digitalisation de la relation client est proposé dans notre établissement il s agit d un bac 2 permettant de s orienter

négociation et relation client bts nrc 1re et 2e années toutes - Sep 22 2021

bts nrc tout savoir sur le bts négociation et relation client - Jul 13 2023

web sep 6 2016 le bts nrc négociation relation client c est quoi c est un bac 2 qui prépare de futurs commerciaux de futurs professionnels de la négociation le titulaire du

relation client et négociation vente bts ndrc 1re et 2e année - May 11 2023

web objectifs et contexte de la certification le titulaire du bts négociation et digitalisation de la relation client ndrc est un commercial généraliste qui met en œuvre une stratégie

négociation et relation client bts nrc 1re et 2e années toutes - Jan 27 2022

web jun 12 2023 négociation et relation client bts nrc 1re et 2e années toutes les matières by nancy baranes laurence garnier carole hamon xavier le ven prparer la

bts négociation et digitalisation de la relation client - Mar 09 2023

web mar 1 2018 des cours complets vous permettent d approfondir de comprendre et de mémoriser les notions de chaque discipline des exercices et leurs corrigés pour vous

bts négociation et relation client formation ooreka - Jun 12 2023

web il s agit de la version 100 numérique i manuel 2 0 de l edition 2018 de l ouvrage relation client et négociation vente pour le bts 1re et 2e années cet ouvrage relation client

bts ndrc négociation et digitalisation de la relation client - May 31 2022

web négociation et relation client bts nrc 1re et 2e années toutes les matières by nancy baranes laurence garnier carole hamon xavier le ven informations sur les bts