

BMW TIS RA Frame alignment control dimensions, body, BMW E 53

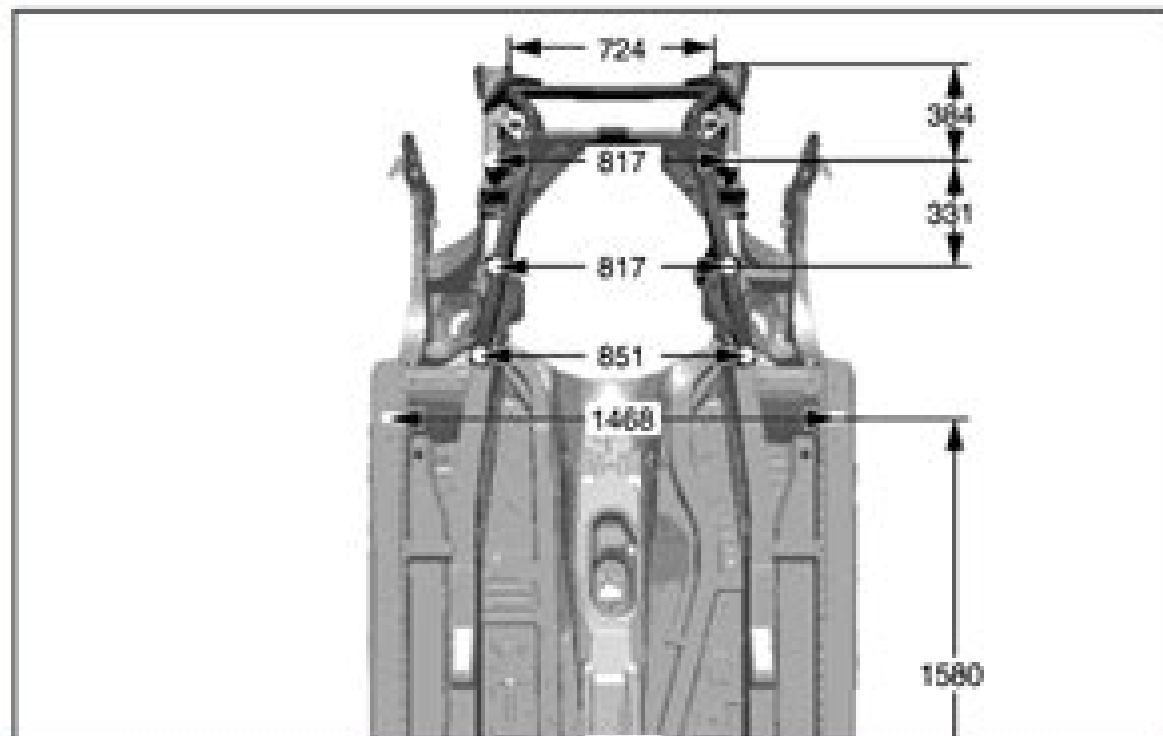
Dimensions in mm.

Measurement tolerances:

- ≤1000 mm ± 1 mm
- ≥1000 mm ± 2 mm

The control points shown serve to check the body and the straightening attachment.

Underbody view 1



Trace

Start

Vehicle

Start

Document

Subjects

Display

VIN:

Series: E53

Model: X5 4.4i OFFRD

Year: 2002

Engine: M62

Gearbox:

Set
Bookmark

Tis Bmw E39 Manual

John Harold Haynes,A. K. Legg



Tis Bmw E39 Manual:

Autocar, 1998 *BMW 5 Series (E39) Service Manual* Bentley Publishers, 2003 The ultimate service manuals Bentley manuals are the only comprehensive single source of service information and specifications available for BMW cars These manuals provide the highest level of clarity and completeness for all service and repair procedures Enthusiasts do it yourselfers and professional technicians will appreciate the quality of photographs and illustrations theory of operation and accurate step by step instructions If you are looking for better understanding of your BMW look no further than Bentley Even if you do not repair your own vehicle knowledge of its internal workings will help you when discussing repairs and maintenance with your professional automotive technician This Bentley Manual is the only comprehensive single source of service information and specifications available specifically for BMW 5 Series from 1997 to 2002 The aim throughout this manual has been simplicity clarity and completeness with practical explanations step by step procedures and accurate specifications Whether you are a professional or a do it yourself BMW owner this manual will help you understand care for and repair your E39 5 Series Though the do it yourself BMW owner will find this manual indispensable as a source of detailed maintenance and repair information the BMW owner who has no intention of working on his or her car will find that reading and owning this manual will make it possible to discuss repairs more intelligently with a professional technician *BMW 3- & 5-Series Service and Repair Manual*, 2013 *BMW 5 Series 2 Vol (E39 Service Manual: 1997, 1998, 1999, 2000, 2001, 2002, 2003: 525i, 528i, 530i, 540i, Sedan, Sport Wagon* Bentley Publishers, 2011-02 The BMW 5 Series E39 Service Manual 1997 2003 is a comprehensive source of service information and specifications for BMW 5 Series models from 1997 to 2003 The aim throughout this manual has been simplicity clarity and completeness with practical explanations step by step procedures and accurate specifications Whether you are a professional or a do it yourself BMW owner this manual will help you understand care for and repair your E39 5 Series Engines covered 6 cylinder engines M52 M52 TU M54 V 8 engines M62 M62 TU Fuel injection systems covered Bosch M 5 2 M 5 2 1 ME 7 2 Siemens MS 41 0 MS 42 0 MS 43 0 Manual transmissions covered Getrag S5D 250G S6S 420G ZF S5D 320Z Automatic transmissions covered A4S 270R A4S 310R A5S 360R A5S 390R A5S 325Z A5S 560Z A5S 440Z *BMW 3- & 5-series Service and Repair Manual* Andrew K. Legg, Larry Warren, 1998 BMW 3 Saloon Touring Saloon 81 88 up to F 5 Series E34 518i 520i 525i 530i 535i Saloon Touring 88 91 F to J Does NOT cover models with DOHC V8 or Diesel engines or 4x4 For other 3 5 series models see manuals no 0276 0632 0815 1560 or 3210 Petrol 1 6 litre 1596cc 1 8 litre 1766 1795cc 2 0 litre 1990cc 2 5 litre 2494cc 2 8 litre 2788cc 3 0 litre 2986cc 3 5 litre 3430cc SOHC *BMW 5 Series Diesel (03-09) 52 to 10* Martynn Randall, 2011 BMW 5 Series Saloon E60 and Touring E61 with 4 6 cylinder turbo diesel engines 520d 525d 530d 2 0 litre 1995cc 2 5 litre 2497cc 3 0 litre 2993cc turbo diesel Does NOT cover petrol models 535d twin turbo diesel models or models with xDrive transmission Does NOT cover new 5 Series F10 F11 range introduced during 2010 *BMW 3-Series* Mark Coombs, 2003 **Owners Workshop Manual for**

BMW 3-Series Martynn Randall,2015 *BMW 3 and 5 Series Automotive Repair Manual* Larry Warren,1993 **BMW 5 Series (E39): Mechanical** Robert Bentley, inc,2010 [BMW 5 Series \(E39\): Mechanical](#) Robert Bentley, inc,2007

BMW Owners Workshop Manual John Harold Haynes,1982 [BMW 3- and 5- Series Owners Workshop Manual](#) A. K. Legg,Larry Warren,1994 [BMW Isetta Factory Repair Manual](#) Velocepress,BMW AG,2002-01-01 The BMW Isetta holds a special place in the hearts of micro car enthusiasts around the world VelocePress has published this English language version of the original 1957 four language BMW Isetta Factory Manual to help you keep your Isetta on the road and good repair

BMW 3-Series Automotive Repair Manual Robert Phillip Maddox,Joe L. Hamilton,John Harold Haynes,2011

BMW Owners Workshop Manual John Harold Haynes,A. K. Legg,1978-01-01 *BMW Owners Workshop Manual* John Harold Haynes,Colin D. Barge,1980 *BMW 5-Series Diesel Service and Repair Manual* Haynes Publishing,2015-04

Bmw 2000 and 2002 1966-1976 Owners Workshop Manual Autobooks Team of Writers and Illustrators,2011-05 200 pages 337 illustrations size 7 5 x 9 25 inches As a service to the classic car enthusiast VelocePress in close cooperation with Brooklands Books Ltd has brought this and other repair manuals previously published as part of the Autobook Autopress Owners Workshop Manual Series back into print This series of manuals is an invaluable resource for the classic car enthusiast and a must have for owners interested in performing their own maintenance These manuals include detailed repair service data and comprehensive step by step instructions and illustrations on dismantling overhauling and re assembly Typically they contain individual chapters that deal with the following items Engine Carburetor Fuel System Ignition System Cooling System Clutch Transmission Drive Shaft Rear Axle Rear Suspension Front Suspension Hubs Steering Gear Braking System Electrical Equipment and Bodywork There are many time saving hints and tips included and there is an easy to follow fault diagnosis at the end of each chapter All of the manuals in this series include a detailed index and feature an oil resistant laminated cover **BMW 3 Series** Martynn Randall,2011 With a Haynes manual you can do it yourself from simple maintenance to basic repairs Haynes writes every book based on a complete teardown of the vehicle We learn the best ways to do a job and that makes it quicker easier and cheaper for you Our books have clear instructions and hundreds of photographs that show each step Whether you re a beginner or a pro you can save big with Haynes Step by step procedures Easy to follow photos Complete troubleshooting section Valuable short cuts Color spark plug diagnosis Complete coverage for all models of your Nissan Sentra from 2007 through 2012 Routine Maintenance Tune up procedures Engine repair Cooling and heating Air Conditioning Fuel and exhaust Emissions control Ignition Brakes Suspension and steering Electrical systems Wiring diagrams

This Captivating World of Kindle Books: A Comprehensive Guide Revealing the Advantages of E-book Books: A World of Ease and Versatility E-book books, with their inherent mobility and simplicity of availability, have liberated readers from the constraints of physical books. Gone are the days of lugging cumbersome novels or carefully searching for specific titles in bookstores. E-book devices, sleek and lightweight, seamlessly store an extensive library of books, allowing readers to indulge in their preferred reads whenever, anywhere. Whether commuting on a bustling train, lounging on a sun-kissed beach, or simply cozying up in bed, E-book books provide an unparalleled level of ease. A Reading World Unfolded: Exploring the Vast Array of Kindle Tis Bmw E39 Manual Tis Bmw E39 Manual The Kindle Store, a digital treasure trove of literary gems, boasts an extensive collection of books spanning diverse genres, catering to every readers preference and choice. From gripping fiction and mind-stimulating non-fiction to classic classics and contemporary bestsellers, the E-book Shop offers an exceptional variety of titles to explore. Whether seeking escape through engrossing tales of fantasy and adventure, delving into the depths of past narratives, or broadening ones knowledge with insightful works of scientific and philosophical, the E-book Shop provides a doorway to a literary world brimming with endless possibilities. A Game-changing Force in the Bookish Landscape: The Enduring Impact of E-book Books Tis Bmw E39 Manual The advent of Kindle books has unquestionably reshaped the literary landscape, introducing a paradigm shift in the way books are published, distributed, and read. Traditional publication houses have embraced the digital revolution, adapting their approaches to accommodate the growing demand for e-books. This has led to a surge in the accessibility of E-book titles, ensuring that readers have access to a vast array of bookish works at their fingertips. Moreover, Kindle books have democratized entry to literature, breaking down geographical limits and providing readers worldwide with similar opportunities to engage with the written word. Irrespective of their place or socioeconomic background, individuals can now immerse themselves in the intriguing world of literature, fostering a global community of readers. Conclusion: Embracing the E-book Experience Tis Bmw E39 Manual Kindle books Tis Bmw E39 Manual, with their inherent ease, versatility, and wide array of titles, have unquestionably transformed the way we encounter literature. They offer readers the freedom to explore the limitless realm of written expression, whenever, anywhere. As we continue to navigate the ever-evolving online scene, E-book books stand as testament to the persistent power of storytelling, ensuring that the joy of reading remains accessible to all.

<http://www.frostbox.com/public/uploaded-files/HomePages/study%20guide%20answers%20solar%20system.pdf>

Table of Contents Tis Bmw E39 Manual

1. Understanding the eBook Tis Bmw E39 Manual
 - The Rise of Digital Reading Tis Bmw E39 Manual
 - Advantages of eBooks Over Traditional Books
2. Identifying Tis Bmw E39 Manual
 - Exploring Different Genres
 - Considering Fiction vs. Non-Fiction
 - Determining Your Reading Goals
3. Choosing the Right eBook Platform
 - Popular eBook Platforms
 - Features to Look for in an Tis Bmw E39 Manual
 - User-Friendly Interface
4. Exploring eBook Recommendations from Tis Bmw E39 Manual
 - Personalized Recommendations
 - Tis Bmw E39 Manual User Reviews and Ratings
 - Tis Bmw E39 Manual and Bestseller Lists
5. Accessing Tis Bmw E39 Manual Free and Paid eBooks
 - Tis Bmw E39 Manual Public Domain eBooks
 - Tis Bmw E39 Manual eBook Subscription Services
 - Tis Bmw E39 Manual Budget-Friendly Options
6. Navigating Tis Bmw E39 Manual eBook Formats
 - ePub, PDF, MOBI, and More
 - Tis Bmw E39 Manual Compatibility with Devices
 - Tis Bmw E39 Manual Enhanced eBook Features
7. Enhancing Your Reading Experience
 - Adjustable Fonts and Text Sizes of Tis Bmw E39 Manual
 - Highlighting and Note-Taking Tis Bmw E39 Manual
 - Interactive Elements Tis Bmw E39 Manual
8. Staying Engaged with Tis Bmw E39 Manual

- Joining Online Reading Communities
 - Participating in Virtual Book Clubs
 - Following Authors and Publishers Tis Bmw E39 Manual
9. Balancing eBooks and Physical Books Tis Bmw E39 Manual
- Benefits of a Digital Library
 - Creating a Diverse Reading Collection Tis Bmw E39 Manual
10. Overcoming Reading Challenges
- Dealing with Digital Eye Strain
 - Minimizing Distractions
 - Managing Screen Time
11. Cultivating a Reading Routine Tis Bmw E39 Manual
- Setting Reading Goals Tis Bmw E39 Manual
 - Carving Out Dedicated Reading Time
12. Sourcing Reliable Information of Tis Bmw E39 Manual
- Fact-Checking eBook Content of Tis Bmw E39 Manual
 - Distinguishing Credible Sources
13. Promoting Lifelong Learning
- Utilizing eBooks for Skill Development
 - Exploring Educational eBooks
14. Embracing eBook Trends
- Integration of Multimedia Elements
 - Interactive and Gamified eBooks

Tis Bmw E39 Manual Introduction

Free PDF Books and Manuals for Download: Unlocking Knowledge at Your Fingertips In today's fast-paced digital age, obtaining valuable knowledge has become easier than ever. Thanks to the internet, a vast array of books and manuals are now available for free download in PDF format. Whether you are a student, professional, or simply an avid reader, this treasure trove of downloadable resources offers a wealth of information, conveniently accessible anytime, anywhere. The advent of online libraries and platforms dedicated to sharing knowledge has revolutionized the way we consume information. No longer confined to physical libraries or bookstores, readers can now access an extensive collection of digital books and

manuals with just a few clicks. These resources, available in PDF, Microsoft Word, and PowerPoint formats, cater to a wide range of interests, including literature, technology, science, history, and much more. One notable platform where you can explore and download free Tis Bmw E39 Manual PDF books and manuals is the internet's largest free library. Hosted online, this catalog compiles a vast assortment of documents, making it a veritable goldmine of knowledge. With its easy-to-use website interface and customizable PDF generator, this platform offers a user-friendly experience, allowing individuals to effortlessly navigate and access the information they seek. The availability of free PDF books and manuals on this platform demonstrates its commitment to democratizing education and empowering individuals with the tools needed to succeed in their chosen fields. It allows anyone, regardless of their background or financial limitations, to expand their horizons and gain insights from experts in various disciplines. One of the most significant advantages of downloading PDF books and manuals lies in their portability. Unlike physical copies, digital books can be stored and carried on a single device, such as a tablet or smartphone, saving valuable space and weight. This convenience makes it possible for readers to have their entire library at their fingertips, whether they are commuting, traveling, or simply enjoying a lazy afternoon at home. Additionally, digital files are easily searchable, enabling readers to locate specific information within seconds. With a few keystrokes, users can search for keywords, topics, or phrases, making research and finding relevant information a breeze. This efficiency saves time and effort, streamlining the learning process and allowing individuals to focus on extracting the information they need. Furthermore, the availability of free PDF books and manuals fosters a culture of continuous learning. By removing financial barriers, more people can access educational resources and pursue lifelong learning, contributing to personal growth and professional development. This democratization of knowledge promotes intellectual curiosity and empowers individuals to become lifelong learners, promoting progress and innovation in various fields. It is worth noting that while accessing free Tis Bmw E39 Manual PDF books and manuals is convenient and cost-effective, it is vital to respect copyright laws and intellectual property rights. Platforms offering free downloads often operate within legal boundaries, ensuring that the materials they provide are either in the public domain or authorized for distribution. By adhering to copyright laws, users can enjoy the benefits of free access to knowledge while supporting the authors and publishers who make these resources available. In conclusion, the availability of Tis Bmw E39 Manual free PDF books and manuals for download has revolutionized the way we access and consume knowledge. With just a few clicks, individuals can explore a vast collection of resources across different disciplines, all free of charge. This accessibility empowers individuals to become lifelong learners, contributing to personal growth, professional development, and the advancement of society as a whole. So why not unlock a world of knowledge today? Start exploring the vast sea of free PDF books and manuals waiting to be discovered right at your fingertips.

FAQs About Tis Bmw E39 Manual Books

How do I know which eBook platform is the best for me? Finding the best eBook platform depends on your reading preferences and device compatibility. Research different platforms, read user reviews, and explore their features before making a choice. Are free eBooks of good quality? Yes, many reputable platforms offer high-quality free eBooks, including classics and public domain works. However, make sure to verify the source to ensure the eBook credibility. Can I read eBooks without an eReader? Absolutely! Most eBook platforms offer web-based readers or mobile apps that allow you to read eBooks on your computer, tablet, or smartphone. How do I avoid digital eye strain while reading eBooks? To prevent digital eye strain, take regular breaks, adjust the font size and background color, and ensure proper lighting while reading eBooks. What the advantage of interactive eBooks? Interactive eBooks incorporate multimedia elements, quizzes, and activities, enhancing the reader engagement and providing a more immersive learning experience. Tis Bmw E39 Manual is one of the best book in our library for free trial. We provide copy of Tis Bmw E39 Manual in digital format, so the resources that you find are reliable. There are also many Ebooks of related with Tis Bmw E39 Manual. Where to download Tis Bmw E39 Manual online for free? Are you looking for Tis Bmw E39 Manual PDF? This is definitely going to save you time and cash in something you should think about.

Find Tis Bmw E39 Manual :

study guide answers solar system

[study guide 7 accounting](#)

student solutions manual inorganic chemistry shriver

~~study guide algebra solutions~~

[student solutions manual for exploring chemical analysis](#)

student exploration soubility and temperatur gizmo answer key

[student solutions manual james stewart 7e](#)

student growth objectives in special education

[students guide middle to high school](#)

~~student exploration solving linear systems standard form answer~~

student solutions manual for business statistics groebner

[study guide answer key business and technology](#)

~~study guide and intervention course 2~~

student nurse intake 2015

study guide australian financial accounting craig deegan

Tis Bmw E39 Manual :

what is a slug url slugs and why they matter for seo - Apr 22 2023

web dec 28 2022 a url slug also known as website slug is the last part of the url address that serves as a unique identifier of the page for example the article you re reading now has a url that looks like this semrush com blog what is a url slug the url slug is what is a url slug why is a url slug important for seo

the slug 2021 mydramalist - Aug 26 2023

web mar 9 2021 reviews 0 users if you could meet your childhood self what would you tell them this is a tantalizing question that a woman named chun hee gets to answer she lives a modest life in her maternal grandparent s house the place she lived from her teenage years when her parents died

the wizard and the slug on steam - Oct 16 2022

web when a fugitive wizard meets a forest slug a strange friendship is born together they traverse an oddball fantasy world unraveling the mystery surrounding an ancient curse play as the fastest most agile slug in video game history

avatism the slug clockwork remix youtube - Jun 12 2022

web oct 23 2011 buy at beatport com track the slug clockwork c w remix 3018217 beatport com label souvenir music 3614if you are the producer the musici

slug wikipedia - Jul 25 2023

web class gastropoda groups included onchidiacea soleolifera multiple lineages within sigmurethra 1 a slug on a wall in kanagawa japan slug or land slug is a common name for any apparently shell less terrestrial gastropod mollusc

what is a slug and how to optimize it for seo yoast - Jun 24 2023

web sep 18 2019 a slug is the part of a url that identifies a particular page on a website in an easy to read form in other words it s the part of the url that explains the page s content for this article for example the url is yoast com slug and the slug simply is slug here s a video that explains more

slug wiktionary the free dictionary - Dec 18 2022

web oct 22 2023 slug plural slugs a hard blow usually with the fist from 1830s verb slug third person singular simple present slugs present participle slugging simple past and past participle slugged to hit very hard usually with the fist

slug description families facts britannica - Feb 20 2023

web slug any mollusk of the class gastropoda in which the shell is reduced to an internal plate or a series of granules or is

completely absent the term generally refers to a land snail slugs belonging to the subclass pulmonata have soft slimy bodies and are generally restricted to moist habitats

play the slugs a free online game on kongregate - Apr 10 2022

web mar 19 2011 monster contest your goal is to throw the skull behind the back of the enemy's revenge the elk revenges the bear for a drunken prank president war action the goal is to throw the bomb behind the back of your enemy's high striker test your strength with our high striker attraction

slug identification guide john innes centre - Jul 13 2022

web slug id guide what the most common types of slugs found in the uk look like their habitats and pest species status grey field slug the most commonly cited pest species in the uk and one of the most serious global plant pests read about grey field slug

php what is a slug stack overflow - Aug 14 2022

web oct 12 2013 a slug is a part of the url when you are accessing a resource say you have a url such as the one below that displays all of the cars in your system localhost cars when you would want to reference a particular car in your system you would provide the following url localhost cars audi a6

slug english meaning cambridge dictionary - Mar 21 2023

web add to word list a small animal with a soft body like a snail without a shell if you say that someone is a slug you mean that the person would rather do very little or nothing at all

slug definition meaning merriam webster - Nov 17 2022

web c a usually temporary type line serving to instruct or identify 7 the gravitational unit of mass in the foot pound second system to which a pound force can impart an acceleration of one foot per second per second and which is equal to

the slug the disgusting critters series by elise gravel goodreads - Jan 19 2023

web aug 12 2014 the slug the disgusting critters series elise gravel 4 24 436 ratings 82 reviews one in a series of humorous books about disgusting creatures the slug is a look at the land slug

tureng slug türkçe İngilizce sözlük - Sep 27 2023

web slug i kütle ölçüsü 6 genel slug i jeton 7 genel slug i yumruk 8 genel slug i kurşun 9 genel slug i sert vuruş 10 genel slug i işlenmemiş metal parçası 11 genel slug i muşta 12 genel slug i tembel 13 genel slug i kesme kurşun 14 genel slug i harf dizisi 15 genel slug i miymıntı 16 genel

what is post slug in wordpress expert seo tips - Feb 08 2022

web what is post slug share tweet in wordpress the slug refers to the part of a web page's address that appears after the domain name a simple wordpress slug example would be if you visited a blog post at example.com/blog-post-then-example

com is the domain name and blog post is the post slug

ulysses lugman earth 616 marvel database fandom - Sep 15 2022

web ulysses x lugman was one of the leading drug lords operating in miami florida he became known as the slug due to obese appearance lugman first came into conflict with the heroes captain america and nomad as the two heroes raided slug s luxury yacht

slug unit wikipedia - May 23 2023

web a slug is defined as a mass that is accelerated by 1 ft s² when a net force of one pound lbf is exerted on it 2 one slug is a mass equal to 32 1740 lb 14 59390 kg based on standard gravity the international foot and the avoirdupois pound 3

11 types of slugs with pictures facts wildlife informer - May 11 2022

web many species of slugs have evolved over millions of years in different parts of the world and some even made their way to new places like north america only 40 types of slugs are found in north america so it s only natural to be curious about these animals as they typically go unnoticed by most people

[url slug generator slugify online](#) - Mar 09 2022

web a url slug is a part that comes at the very end of a url and is the exact address of a specific page on your website for example in slugify online campaign url builder url campaign url builder is a slug composing a short but descriptive slug for a url of the web page can positively affect your page s seo learn more about url slugs

Érase una vez méxico 2 del grito a la revolución - Jun 17 2023

web en esta segunda entrega alejandro rosas y sandra molina con una mirada distinta que permite redescubrir el pasado y despertar la curiosidad del lector abordan uno de los

Érase una vez méxico 2 audiolibros por alejandro rosas - Nov 10 2022

web en esta segunda entrega alejandro rosas y sandra molina con una mirada distinta que permite redescubrir el pasado y despertar la curiosidad del lector abordan uno de los

Érase una vez mÉxico 2 sandra molina alibrate - Jul 06 2022

web 9 1 7 votos sinopsis de Érase una vez mÉxico 2 Érase una vez un cura que tocó una campana la madrugada de un domingo y levantó en armas a todo un pueblo cansado

[Érase una vez méxico 2 del grito a la revolución scribd](#) - Jan 12 2023

web la noche de tlatelolco manifiesto comunista listen to Érase una vez méxico 2 by alejandro rosas sandra molina with a free trial listen to bestselling audiobooks on the

[Érase una vez mexico 2 del grito a la revolución goodreads](#) - Jul 18 2023

web aug 1 2014 458 ratings45 reviews Érase una vez un cura que tocó una campana la madrugada de un domingo y levantó

en armas a todo un pueblo cansado de trecientos

Érase una segunda vez sitio oficial de netflix - Apr 03 2022

web meses después de una devastadora ruptura un hombre recibe un misterioso paquete que abre un portal al pasado y le concede la oportunidad de reconquistar a su ex 1 no me

Érase una vez méxico 2 alejandro rosas sandra molina - Sep 20 2023

web sinopsis de Érase una vez méxico 2 Érase una vez un cura que tocó una campana la madrugada de un domingo y levantó en armas a todo un pueblo cansado de trecientos

Érase una vez méxico 2 audible com - Apr 15 2023

web méxico bizarro 2 es un viaje alucinante por distintas épocas y personajes de nuestro país julio patán y alejandro rosas te cuentan qué hay detrás de la fortuna de un pepenador

Érase una vez méxico 2 del grito a la revolución edición kindle - Mar 14 2023

web Érase una vez méxico 2 del grito a la revolución ebook rosas alejandro molina sandra amazon com mx tienda kindle

Érase una vez México 2 pasta blanda 14 mayo 2018 - May 16 2023

web 3 meses 53 23 11 69 159 69 Érase una vez un cura que tocó una campana la madrugada de un domingo y levantó en armas a todo un pueblo cansado de trecientos

Érase una vez México 2 Érase una vez México 1 - Sep 08 2022

web Érase una vez México 2 Érase una vez un cura que tocó una campana la madrugada de un domingo y levantó en armas a todo un pueblo cansado de trecientos años de

Érase una vez méxico 2 by sandra molina alejandro rosas - Oct 09 2022

web shop Érase una vez méxico 2 by sandra molina alejandro rosas paperback at target choose from same day delivery drive up or order pickup free standard

Érase una vez méxico 2 en apple books - Feb 13 2023

web conectando Érase una vez un cura que tocó una campana la madrugada de un domingo y levantó en armas a todo un pueblo cansado de trecientos años de opresión vendrían

Érase una vez mexico 2 del grito a la revolución spanish edition - Aug 19 2023

web jan 1 2010 Érase una vez mexico 2 del grito a la revolución spanish edition varios on amazon com free shipping on qualifying offers Érase una vez mexico 2 del

libro Érase una vez méxico vol 2 youtube - May 04 2022

web libro Érase una vez méxico vol 2 youtube les recomiendo este libro Érase una vez méxico vol 2 de los autores sandra molina y alejandro rosas Érase una vez un cura

Érase una vez México 2 audiolibro Sandra Molina Alejandro - Aug 07 2022

web en esta segunda entrega Alejandro Rosas y Sandra Molina con una mirada distinta que permite redescubrir el pasado y despertar la curiosidad del lector abordan uno de los

pdf Érase una vez México 2 by Alejandro Rosas Perlego - Dec 11 2022

web about this book Érase una vez un cura que tocó una campana la madrugada de un domingo y levantó en armas a todo un pueblo cansado de trecientos años de opresión

comprar Érase una vez México 2 de Alejandro Rosas Buscalibre - Jun 05 2022

web reseña del libro Érase una vez México 2 Érase una vez un cura que tocó una campana la madrugada de un domingo y levantó en armas a todo un pueblo cansado de

Érase una vez México 2 Alejandro Rosas Sandra Molina - Dec 31 2021

web Érase una vez México 2 del grito a la revolución Alejandro Rosas Sandra Molina sé el primero en valorar este libro sinopsis de Érase una vez México 2 Érase una vez un

Érase una vez México 1 Érase una vez México 2 - Nov 29 2021

web Érase una vez México 2 Érase una vez un cura que tocó una campana la madrugada de un domingo y levantó en armas a todo un pueblo cansado de trecientos

erase una vez english translation linguee - Feb 01 2022

web erase una vez un proyecto de alta disponibilidad sobre una infraestructura viva adriansilva.org adriansilva.org adapting the basic arthemisia theme is covered on an

Érase una vez México 2 Alejandro Rosas Sandra Molina - Oct 21 2023

web sinopsis de Érase una vez México 2 Érase una vez un cura que tocó una campana la madrugada de un domingo y levantó en armas a todo un pueblo cansado de trecientos

Érase una segunda vez sitio oficial de Netflix - Mar 02 2022

web Berlín en sus años de gloria antes de la casa de papel Berlín reúne en París a una brillante banda de ladrones para planear uno de los robos más ambiciosos de su vida

l incanto del refugio piccolo elogio della notte copy - Nov 10 2022

web 2 l incanto del refugio piccolo elogio della notte 2019 12 11 l incanto del refugio piccolo elogio della notte downloaded from etherpad arts.ac.uk by guest gianna

l incanto del refugio piccolo elogio della notte pdf uniport.edu - Jul 06 2022

web may 24 2023 l incanto del refugio piccolo elogio della notte 1 7 downloaded from uniport.edu.ng on may 24 2023 by guest l incanto del refugio piccolo elogio della

downloadable free pdfs l incanto del rifugio piccolo elogio - Apr 15 2023

web l incanto del rifugio piccolo elogio della notte from academia to amicitia jul 21 2021 a detailed study of the latin poetry by the 17th century english poet and how it was

l incanto del rifugio piccolo elogio della notte in montagna - Oct 21 2023

web l incanto del rifugio piccolo elogio della notte in montagna è un libro di enrico camanni pubblicato da ediciclo nella collana piccola filosofia di viaggio acquista su ibs a 9 50

l incanto del rifugio piccolo elogio della notte copy - Feb 13 2023

web l incanto del rifugio piccolo elogio della notte il grande nido che ha dato origine al big bang dei buchi neri di stephen hawking aug 29 2020

l incanto del rifugio piccolo elogio della notte pdf blueskywildlife - Dec 31 2021

web della montagna indice dei rifugi rifugio piero garelli 1990 m rifugio vallanta 2450 m rifugio quintino sella 2640 m refuge du glacier blanc 2542 m refuge du

l incanto del rifugio piccolo elogio della notte pdf uniport edu - Sep 08 2022

web may 9 2023 notte getting the books l incanto del rifugio piccolo elogio della notte now is not type of inspiring means you could not unaided going in the manner of ebook

l incanto del rifugio piccolo elogio della notte - May 04 2022

web 2 l incanto del rifugio piccolo elogio della notte 2020 05 02 lettore le scoperte dell autrice sull affascinante santa maria di collemaggio e una cronaca di eventi

l incanto del rifugio piccolo elogio della notte in montagna - Sep 20 2023

web l incantesimo svanisce in quell attimo con uno schiaffo del vento sulla faccia si lasciano definitivamente alle spalle il non spazio del rifugio le pigre liturgie della sveglia l odore

l incanto del rifugio piccolo elogio della notte pdf full pdf - Jun 05 2022

web incanto del rifugio piccolo elogio della notte pdf revealing the captivating potential of verbal expression in a period characterized by interconnectedness and an insatiable thirst

l incanto del rifugio piccolo elogio della notte in montagna - Mar 14 2023

web l incanto del rifugio piccolo elogio della notte in montagna è un libro scritto da enrico camanni pubblicato da ediciclo nella collana piccola filosofia di viaggio libreria it

l incanto del rifugio piccolo elogio della notte pdf uniport edu - Nov 29 2021

web apr 27 2023 it is your totally own mature to take action reviewing habit along with guides you could enjoy now is l incanto del rifugio piccolo elogio della notte below rivista

[l incanto del rifugio ediciclo editore s r l](#) - Jun 17 2023

web l incanto del rifugio piccolo elogio dell ospitalità in montagna collana piccola filosofia di quei momenti che rendono indimenticabili il passaggio in un rifugio come il

l incanto del rifugio piccolo elogio della notte james burgh - Apr 03 2022

web feb 27 2023 as this l incanto del rifugio piccolo elogio della notte it ends stirring visceral one of the favored books l incanto del rifugio piccolo elogio della notte

l incanto del rifugio piccolo elogio della notte in montagna - Dec 11 2022

web l incanto del rifugio piccolo elogio della notte in montagna camanni enrico amazon fr livres

l incanto del rifugio piccolo elogio della notte in montagna - Jan 12 2023

web acquista l incanto del rifugio piccolo elogio della notte in montagna su libreria universitaria spedizione gratuita sopra i 25 euro su libreria universitaria

l incanto del rifugio piccolo elogio della notte pdf - Jul 18 2023

web l incanto del rifugio piccolo elogio della notte elogio del buio alla riscoperta della bellezza della notte in difesa dei ritmi naturali di tutti gli esseri viventi jun 11 2020

il rifugio incanta vol 2 ep apple music - Feb 01 2022

web listen to il rifugio incanta vol 2 ep by coro il rifugio città di seregno on apple music stream songs including valore alpino trentatré ta pum canti del coro il

[l incanto del rifugio piccolo elogio della notte](#) - Mar 02 2022

web l incanto del rifugio piccolo elogio della notte per liberarsi del cane prima lo pugnolano poi l investono con l auto la stampa aug 12 2015 per liberarsi del cane

l incanto del rifugio piccolo elogio della notte in montagna - Aug 19 2023

web scopri l incanto del rifugio piccolo elogio della notte in montagna di camanni enrico spedizione gratuita per i clienti prime e per ordini a partire da 29 spediti da amazon

l incanto del rifugio piccolo elogio della notte françois albéra - Oct 09 2022

web l incanto del rifugio piccolo elogio della notte in montagna enrico camanni 2015 rifugi e bivacchi gli imperdibili delle alpi roberto dini 2018 06 05t00 00 00 02 00

l incanto del rifugio piccolo elogio della notte francesco - Aug 07 2022

web jul 5 2023 l incanto del rifugio piccolo elogio della notte this is likewise one of the factors by obtaining the soft documents of this l incanto del rifugio piccolo elogio

l incanto del rifugio piccolo elogio della notte in montagna - May 16 2023

web l incanto del rifugio piccolo elogio della notte in montagna camanni enrico amazon com au books