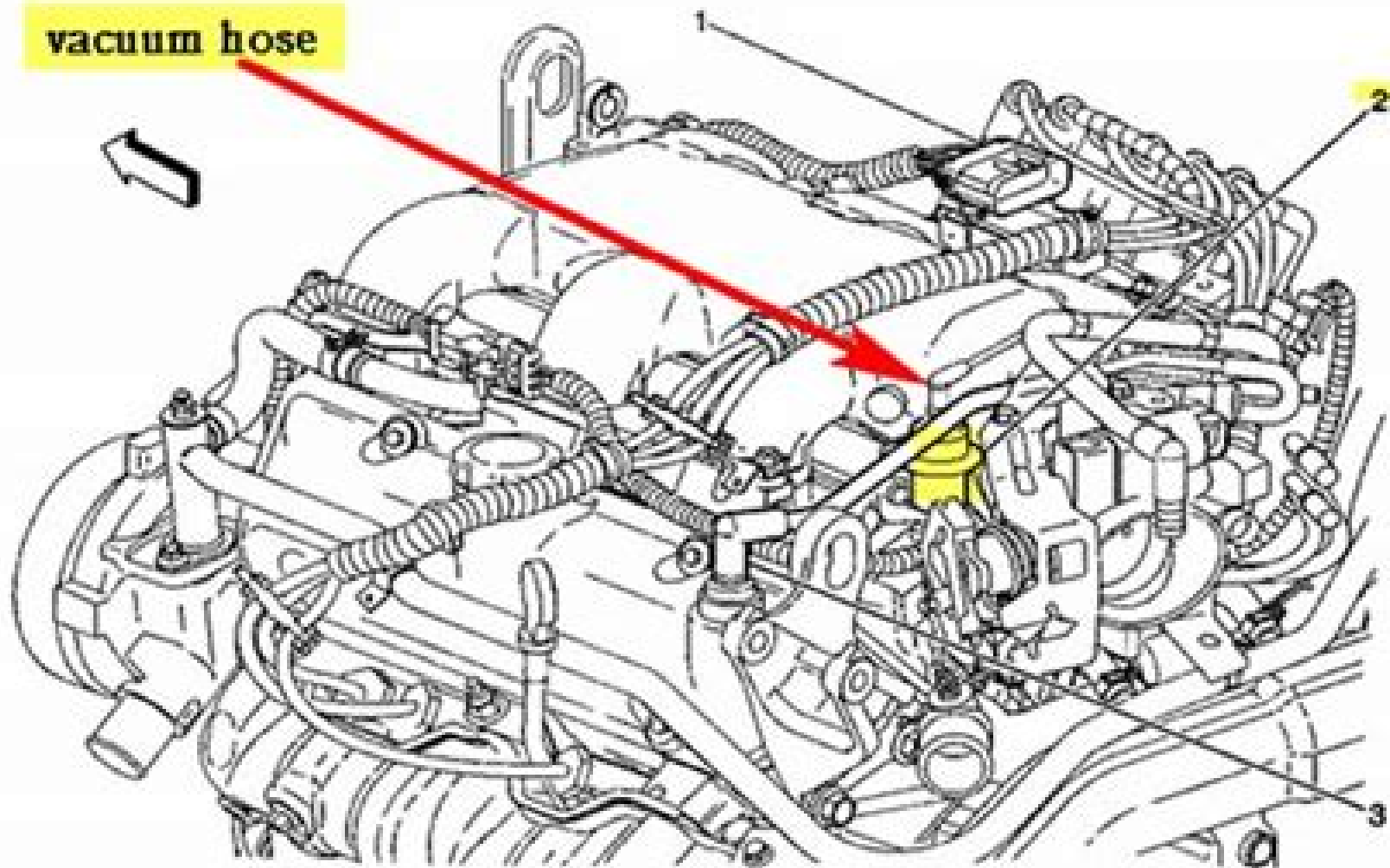


vacuum hose



Legend

(1) Multi Way Fuel Injector Harness Connector

(3) Positive Crankcase Ventilation (PCV) Valve

(2) Fuel Pressure Regulator

Location View

Vacuum Diagram For 199pontiac Grand Am

Xiang Xie



Vacuum Diagram For 199pontiac Grand Am:

American Book Publishing Record ,2001 *GM N-cars* Kalton C. Lahue,Alan Ahlstrand,1987 Cars & Parts ,1995
American Machinist, Metalworking Manufacturing ,1964 **Popular Mechanics** ,1964-04 Popular Mechanics inspires instructs and influences readers to help them master the modern world Whether it s practical DIY home improvement tips gadgets and digital technology information on the newest cars or the latest breakthroughs in science PM is the ultimate guide to our high tech lifestyle **Popular Mechanics** ,2000-01 Popular Mechanics inspires instructs and influences readers to help them master the modern world Whether it s practical DIY home improvement tips gadgets and digital technology information on the newest cars or the latest breakthroughs in science PM is the ultimate guide to our high tech lifestyle **The Machinist** ,1980 **The Gannetteer** ,1963 *Standard & Poor's Register of Corporations, Directors and Executives* Standard and Poor's Corporation,1973 Includes Geographical index Poor's Register of Directors and Executives, United States and Canada ,1954 Includes Geographical index earlier called Geographical section Engineering News-record ,1932-07 *The Continuing Study of Newspaper Reading* Advertising Research Foundation,1940
Engineering News and American Contract Journal ,1932 **25,000 Leading U.S. Corporations** ,1973

Ignite the flame of optimism with Crafted by is motivational masterpiece, **Vacuum Diagram For 199pontiac Grand Am** . In a downloadable PDF format (*), this ebook is a beacon of encouragement. Download now and let the words propel you towards a brighter, more motivated tomorrow.

<http://www.frostbox.com/book/publication/Documents/Vw%20Golf%202%2016%20Wiring%20Diagram.pdf>

Table of Contents Vacuum Diagram For 199pontiac Grand Am

1. Understanding the eBook Vacuum Diagram For 199pontiac Grand Am
 - The Rise of Digital Reading Vacuum Diagram For 199pontiac Grand Am
 - Advantages of eBooks Over Traditional Books
2. Identifying Vacuum Diagram For 199pontiac Grand Am
 - Exploring Different Genres
 - Considering Fiction vs. Non-Fiction
 - Determining Your Reading Goals
3. Choosing the Right eBook Platform
 - Popular eBook Platforms
 - Features to Look for in an Vacuum Diagram For 199pontiac Grand Am
 - User-Friendly Interface
4. Exploring eBook Recommendations from Vacuum Diagram For 199pontiac Grand Am
 - Personalized Recommendations
 - Vacuum Diagram For 199pontiac Grand Am User Reviews and Ratings
 - Vacuum Diagram For 199pontiac Grand Am and Bestseller Lists
5. Accessing Vacuum Diagram For 199pontiac Grand Am Free and Paid eBooks
 - Vacuum Diagram For 199pontiac Grand Am Public Domain eBooks
 - Vacuum Diagram For 199pontiac Grand Am eBook Subscription Services
 - Vacuum Diagram For 199pontiac Grand Am Budget-Friendly Options
6. Navigating Vacuum Diagram For 199pontiac Grand Am eBook Formats

- ePub, PDF, MOBI, and More
 - Vacuum Diagram For 199pontiac Grand Am Compatibility with Devices
 - Vacuum Diagram For 199pontiac Grand Am Enhanced eBook Features
7. Enhancing Your Reading Experience
 - Adjustable Fonts and Text Sizes of Vacuum Diagram For 199pontiac Grand Am
 - Highlighting and Note-Taking Vacuum Diagram For 199pontiac Grand Am
 - Interactive Elements Vacuum Diagram For 199pontiac Grand Am
 8. Staying Engaged with Vacuum Diagram For 199pontiac Grand Am
 - Joining Online Reading Communities
 - Participating in Virtual Book Clubs
 - Following Authors and Publishers Vacuum Diagram For 199pontiac Grand Am
 9. Balancing eBooks and Physical Books Vacuum Diagram For 199pontiac Grand Am
 - Benefits of a Digital Library
 - Creating a Diverse Reading Collection Vacuum Diagram For 199pontiac Grand Am
 10. Overcoming Reading Challenges
 - Dealing with Digital Eye Strain
 - Minimizing Distractions
 - Managing Screen Time
 11. Cultivating a Reading Routine Vacuum Diagram For 199pontiac Grand Am
 - Setting Reading Goals Vacuum Diagram For 199pontiac Grand Am
 - Carving Out Dedicated Reading Time
 12. Sourcing Reliable Information of Vacuum Diagram For 199pontiac Grand Am
 - Fact-Checking eBook Content of Vacuum Diagram For 199pontiac Grand Am
 - Distinguishing Credible Sources
 13. Promoting Lifelong Learning
 - Utilizing eBooks for Skill Development
 - Exploring Educational eBooks
 14. Embracing eBook Trends
 - Integration of Multimedia Elements
 - Interactive and Gamified eBooks

Vacuum Diagram For 199pontiac Grand Am Introduction

Free PDF Books and Manuals for Download: Unlocking Knowledge at Your Fingertips In todays fast-paced digital age, obtaining valuable knowledge has become easier than ever. Thanks to the internet, a vast array of books and manuals are now available for free download in PDF format. Whether you are a student, professional, or simply an avid reader, this treasure trove of downloadable resources offers a wealth of information, conveniently accessible anytime, anywhere. The advent of online libraries and platforms dedicated to sharing knowledge has revolutionized the way we consume information. No longer confined to physical libraries or bookstores, readers can now access an extensive collection of digital books and manuals with just a few clicks. These resources, available in PDF, Microsoft Word, and PowerPoint formats, cater to a wide range of interests, including literature, technology, science, history, and much more. One notable platform where you can explore and download free Vacuum Diagram For 199pontiac Grand Am PDF books and manuals is the internets largest free library. Hosted online, this catalog compiles a vast assortment of documents, making it a veritable goldmine of knowledge. With its easy-to-use website interface and customizable PDF generator, this platform offers a user-friendly experience, allowing individuals to effortlessly navigate and access the information they seek. The availability of free PDF books and manuals on this platform demonstrates its commitment to democratizing education and empowering individuals with the tools needed to succeed in their chosen fields. It allows anyone, regardless of their background or financial limitations, to expand their horizons and gain insights from experts in various disciplines. One of the most significant advantages of downloading PDF books and manuals lies in their portability. Unlike physical copies, digital books can be stored and carried on a single device, such as a tablet or smartphone, saving valuable space and weight. This convenience makes it possible for readers to have their entire library at their fingertips, whether they are commuting, traveling, or simply enjoying a lazy afternoon at home. Additionally, digital files are easily searchable, enabling readers to locate specific information within seconds. With a few keystrokes, users can search for keywords, topics, or phrases, making research and finding relevant information a breeze. This efficiency saves time and effort, streamlining the learning process and allowing individuals to focus on extracting the information they need. Furthermore, the availability of free PDF books and manuals fosters a culture of continuous learning. By removing financial barriers, more people can access educational resources and pursue lifelong learning, contributing to personal growth and professional development. This democratization of knowledge promotes intellectual curiosity and empowers individuals to become lifelong learners, promoting progress and innovation in various fields. It is worth noting that while accessing free Vacuum Diagram For 199pontiac Grand Am PDF books and manuals is convenient and cost-effective, it is vital to respect copyright laws and intellectual property rights. Platforms offering free downloads often operate within legal boundaries, ensuring that the materials they provide are either in the public domain or authorized for distribution. By adhering to copyright laws, users can enjoy the benefits of free access to knowledge while

supporting the authors and publishers who make these resources available. In conclusion, the availability of Vacuum Diagram For 199pontiac Grand Am free PDF books and manuals for download has revolutionized the way we access and consume knowledge. With just a few clicks, individuals can explore a vast collection of resources across different disciplines, all free of charge. This accessibility empowers individuals to become lifelong learners, contributing to personal growth, professional development, and the advancement of society as a whole. So why not unlock a world of knowledge today? Start exploring the vast sea of free PDF books and manuals waiting to be discovered right at your fingertips.

FAQs About Vacuum Diagram For 199pontiac Grand Am Books

How do I know which eBook platform is the best for me? Finding the best eBook platform depends on your reading preferences and device compatibility. Research different platforms, read user reviews, and explore their features before making a choice. Are free eBooks of good quality? Yes, many reputable platforms offer high-quality free eBooks, including classics and public domain works. However, make sure to verify the source to ensure the eBook credibility. Can I read eBooks without an eReader? Absolutely! Most eBook platforms offer web-based readers or mobile apps that allow you to read eBooks on your computer, tablet, or smartphone. How do I avoid digital eye strain while reading eBooks? To prevent digital eye strain, take regular breaks, adjust the font size and background color, and ensure proper lighting while reading eBooks. What the advantage of interactive eBooks? Interactive eBooks incorporate multimedia elements, quizzes, and activities, enhancing the reader engagement and providing a more immersive learning experience. Vacuum Diagram For 199pontiac Grand Am is one of the best book in our library for free trial. We provide copy of Vacuum Diagram For 199pontiac Grand Am in digital format, so the resources that you find are reliable. There are also many Ebooks of related with Vacuum Diagram For 199pontiac Grand Am. Where to download Vacuum Diagram For 199pontiac Grand Am online for free? Are you looking for Vacuum Diagram For 199pontiac Grand Am PDF? This is definitely going to save you time and cash in something you should think about.

Find Vacuum Diagram For 199pontiac Grand Am :

~~vw golf 2 16 wiring diagram~~

vw 1600 repair manual

~~vw jetta tdi fuse box diagram~~

vw polo 1997 repair service manual

~~vw 6 speed manual transmission codes~~

~~vw t5 reverse light fuse~~

~~vw golf engine diagram 85~~

~~vw jetta wire diagram~~

~~vw polo 201service manual~~

~~vw rns 315 user manual espa ol~~

~~vw polo 1 6 repair manual~~

vw advertising the art of advertising the air cooled volkswagen

vw 1302 manual

~~vw jetta 2008 turbo diesel repair manual~~

~~vw passat 2007 manual~~

Vacuum Diagram For 199pontiac Grand Am :

5 lengua castellana santillana - Jun 12 2023

web el libro lengua castellana para el 5 o curso de primaria es una obra colectiva concebida diseñada y creada en el departamento de ediciones educativas de grazalema s l y

lengua y literatura 5 repaso santillana - Feb 25 2022

web lengua castellana grado 5 1 plan Área lengua castellana actualizado nov 2018 2 evaluaciÓn diagnÓstica espaÑol quinto grado 3 pruebas de

libro lengua 5 pdf google drive - Jul 13 2023

web el libro de recursos lengua castellana para el 5 º curso de primaria es una obra colectiva concebida diseñada y creada en el departamento de ediciones educativas de

lengua castellana 5 primaria santillana - Feb 08 2023

web el libro lengua castellana para quinto curso de primaria el objetivo primordial es desarrollar en el alumnado las capacidades imprescindibles como habilidades de

lengua castellana santillana - Oct 24 2021

santillana - Sep 22 2021

lengua castellana 5 primaria santillana - Jan 07 2023

web apr 6 2020 fax 932 373 469 barcanova barcanova cat barcanova cat primera edición febrero de 2015 quinta impresión agosto de 2019 isbn 978 84 489 3476 7 dl

[lengua española 5 primaria docsity](#) - Oct 04 2022

web lengua castellana grado quinto colegio franciscano de fray damián gonzález 46 1 para el autor la principal forma de comunicación es a el

[fifty five in spanish english to spanish translation](#) - Nov 24 2021

web lengua mate proyectos primaria cuadernos entrénate enseñanzas medias y fp construyendo mundos ecos fp básica eie y fol clil bilingüismo pre primary

5º prim lengua refuerzo repaso ampliación pdf - Aug 14 2023

web sign in libro lengua 5 pdf google drive sign in

[lengua castellana santillana](#) - May 11 2023

web may 24 2020 school subject lengua castellana 1061954 main content gramática 2013078 ficha de repaso del curso de 5º de primaria other contents métrica

[calaméo lengua castellana 5](#) - Sep 03 2022

web recopilación de todos los recursos y material fotocopiable de lengua castellana 5 primaria santillana saber hacer como ejercicios con las fichas y guía de refuerzo y

[5 lengua santillana](#) - Mar 09 2023

web 5 º lengua castellana 5 primaria método saber hacer sello santillana ver muestra isbn 9788468010571 lengua castellana 5 primaria método saber hacer sello

itineraris lengua castellana 5 text la galera - Jul 01 2022

web lengua 5 primaria sm savia soluciones 2023 2024 ejercicios resueltos resúmenes ejemplos actividades resueltas y soluciones de lengua para 5 de primaria sm serie

[lengua castellana 5º de primaria by editorial barcanova issuu](#) - Dec 06 2022

web libro de recursos primaria 5 lengua castellana el libro de recursos de lengua castellana para 5 ordm curso de primaria es una obra colectiva concebida

[lengua castellana grado 5 tecnocomunicaciones](#) - Dec 26 2021

web 5 lengua castellana el libro lengua castellana para el 5 o curso de primaria es una obra colectiva concebida diseñada y creada en el departamento de ediciones

[lengua castellana 5 primaria santillana pdf 2023](#) - Jan 27 2022

web 1 number a cincuenta y cinco you ve used up an hour and five minutes of your time you ve got fifty five minutes left han

empleado una hora y cinco minutos de su tiempo

[tot tallers lengua castellana 5 text la galera](#) - Mar 29 2022

web lengua castellana 5 primaria santillana pdf hemos subido para consultar online o descargar lengua castellana 5 primaria santillana pdf explicados paso a paso para

[repaso lengua 5º primaria worksheet live worksheets](#) - Apr 10 2023

web cuaderno primer trimestre 5 lengua castellana el cuaderno lengua castellana para el 5 o curso de primaria es una obra colectiva concebida diseñada y creada en el

[486341810 lengua 5º libro recursos pdf studylib es](#) - Nov 05 2022

web jun 20 2019 plan de mejora programa de ampliación lengua castellana 5 el cuaderno de enseñanza individualizada de lengua castellana para quinto curso de primaria es

[lengua castellana 5 primaria santillana ejercicios y mas pdf](#) - Aug 02 2022

web lengua castellana 5 itineraris lengua castellana 5 novetat consulta la web dels itineraris fitxa tècnica recursos didàctics llibre curricular multiformat que planteja

solucionario 5 primaria lengua 2023 2024 pdf - Apr 29 2022

web lengua y literatura 5 sugerencias al docente unidad 1 ficha 1 páginas 10 y 11 objetos que hablan ficha 2 páginas 12 y 13 dialectos del castellano en ecuador ficha 3

[534545 eval compet lengua 5 sh by mary valles issuu](#) - May 31 2022

web lengua castellana 5 muestra procediments el projecte tot tallers activitats sistemàtiques textpractica tutorial programacions programación en pdf

[clark ctm cem 10 20 with hpb1 control sm5167 pdf manual](#) - Dec 23 2022

web price usd 40 buy now this training manual contains technical information about repair wiring diagrams manuals installation instructions troubleshoot information for equipment clark ctm cem 10 20 with hpb1 electronic manual is presented in pdf format to view the information you must have the program adobe reader

[clark ctm 16 forklift service manual dev2 fxstat com](#) - Feb 10 2022

web clark ctm 16 forklift service manual blogbook co downloads clark ctm 16 forklift service manual pdf clark forklift trucks manuals parts catalog repair cleanzine cleaning news international cleaning news film streaming gratuit hd en vf et vostfr série et manga coding of customs accounting documents cbsa asfc gc ca

ctm models ctm10 ctm12 ctm16 ctm20 service repair workshop manuals - Apr 26 2023

web years in business our ctm10 ctm12 ctm16 ctm20 ctm models clark forklifts workshop manuals contain in depth maintenance service and repair information get your emanual now

clark ctm cem 10 20 forklift service repair workshop manual - Aug 19 2022

web oct 25 2014 clark ctm cem 10 20 forklift original service manual wiring diagrams and bulletins are the most accurate and complete available

clark ctm 16 forklift service manual pdf - Oct 21 2022

web clark ctm 16 forklift service manual getting the books clark ctm 16 forklift service manual now is not type of challenging means you could not only going next book gathering or library or borrowing from your friends to way in them this is an totally easy means to specifically acquire guide by on line this online publication clark ctm 16

clark ctm 16 s electric forklift specs 1996 2003 - Nov 21 2022

web nominal load at cog 1 6t standard tyres se 2x 1 centre of gravity 500mm drive system g voltage 48v traction motor 10 4kw clark is the manufacturer of the ctm 16 s electric forklift the production years for this model are 1996 2003 find here detailed specs for ctm 16 s electric powered lift truck in a form of

clark ctm 10 20 forklift service repair manual issuu - Apr 14 2022

web dec 2 2021 read clark ctm 10 20 forklift service repair manual by 8fseidkdk on issuu and browse thousands of other publications on our platform start here

clark electric forklift truck cem10 cem12 cem16 cem20 ctm10 - Mar 26 2023

web aug 15 2020 clark electric forklift truck cem10 cem12 cem16 cem20 ctm10 ctm12 ctm16 ctm20 workshop service manu ctm cem 10 20 version 2 2 service training functions components motor basic index basic

clark ctm cem 10 20 7096 7101 forklift service manual sm - Sep 19 2022

web clark ctm cem 10 20 7096 7101 forklift service manual sm 5167 5158 de size 6 55 mb type of file pdf language german brand clark machine forklift document service manual model clark ctm cem 10 20 forklift pages 58 pages serial number 7096 7101 content sm 5158 ctm145 ger r2 sm 5167 ctm145 ger 02 1997

clark ctm 16 forklift service manual - Jul 18 2022

web clark ctm 16 forklift service manual 1 4 downloaded from secure docs lenderhomepage com on by guest clark ctm 16 forklift service manual right here we have countless books clark ctm 16 forklift service manual and collections to check out we additionally provide variant types and as a consequence type of the books to browse

clark ctm 16 forklift service manual housing gov mv - Jan 12 2022

web clark ctm 16 forklift service manual technical service combines wiring electrical circuits fitting instructions technical specifications special instructions maintenance manuals assembly instructions of the special equipment clark film streaming gratuit hd en vf et vostfr série et manga may 6th 2018 pour télécharger et voir les

clark ctm 16 forklift service manual pdf online ediomhar - Jun 16 2022

web read clark ctm 16 forklift service manual pdf share your pdf documents easily on droppdf read online clark ctm 16 forklift service manual download clark ctm 16 forklift service manual

clark ctm 16 forklift service manual book deju lms currikistudio - Mar 14 2022

web decoding clark ctm 16 forklift service manual revealing the captivating potential of verbal expression in an era characterized by interconnectedness and an insatiable

clark ctm models service repair workshop manuals - Jan 24 2023

web our ctm models clark forklifts workshop manuals contain in depth maintenance service and repair information get your emanual now

clark forklifts service repair and operator s manuals pdf - Jul 30 2023

web dec 25 2022 clark forklifts owner s service and maintenance manuals error codes list dtc spare parts manuals catalogues wiring diagrams schematics free download pdf

clark material handling company operator s manuals - Jun 28 2023

web clark material handling usa 700 enterprise drive lexington kentucky 40510 tel 1 859 422 6400 fax 1 859 422 7408 clarkmhc com for pricing parts more click here

clark forklift truck manuals pdf fork lift trucks service manual - May 28 2023

web some clark forklift truck service manuals pdf with error codes dtc wiring diagrams are above the page clark which was founded in 1903 began its history as a manufacturer of spare parts for automobiles

clark forklift full set service manual info mecanica venta - May 16 2022

web clark forklift full set service manual cantidad añadir al carrito add to compare add to wishlist size 586 mbregion all regionstype service manual wiring diagram for clark forkliftlanguage englishformat pdfamount of disks 1

clark ctm 16 electric forklift specs 1996 2003 - Feb 22 2023

web clark is the manufacturer of the ctm 16 electric forklift the production years for this model are 1996 2003 find here detailed specs for ctm 16 electric powered lift truck in a form of table chart below and downloadable datasheet explore also the other forklift models produced by clark

clark ctm 16 s manual needed forkliftaction - Aug 31 2023

web nov 6 2013 clark ctm 16 s manual needed hi anybody have the service manual for this forklift please send it to me thanks posted 6 nov 2013 18 17 discussion started by rogalandimport rogaland norway my email salg rogalandimportservice no post a reply report this post showing items 1 15 of 16 results sort messages by

la gestion de soi ce qu il faut faire pour vivre mieux - Apr 12 2023

web cette aptitude résulte d un ensemble de comportements que chacun apprend dès l enfance et qu il peut continuer à

développer à l'âge adulte au fil de l'ouvrage jacques van rillaer nous offre les clés pour tendre vers une meilleure gestion de soi-même et par conséquent une vie plus heureuse

la gestion de soi ce qu'il faut faire pour vivre mieux broché - Dec 28 2021

web sep 4 2019 la gestion de soi ce qu'il faut faire pour vivre mieux notre bonheur et notre contribution à celui des autres dépendent pour une large part de notre aptitude à gérer efficacement nos émotions nos impulsions et nos actions

la gestion de soi jacques van rillaer babelio - Dec 08 2022

web apr 1 1995 une synthèse des éléments importants est souvent réalisée en fin de chapitre pour retenir l'essentiel c'est un ouvrage qui permet de mieux se comprendre de décortiquer comment nous réagissons aux situations en fonction de notre environnement nos émotions nos sensations nos interprétations et pensées

la gestion de soi ce qu'il faut faire pour vivre mieux - Feb 27 2022

web au fil de l'ouvrage jacques van rillaer nous offre les clés pour tendre vers une meilleure gestion de soi-même et par conséquent une vie plus heureuse cet ouvrage de développement personnel vous permettra d'atteindre le bonheur grâce à la gestion de soi

la nouvelle gestion de soi jacques van rillaer cairn info - Feb 10 2023

web ce qu'il faut faire pour vivre mieux jacques van rillaer psy Émotion intervention santé citer ou exporter sommaire de cet ouvrage sommaire de cet ouvrage sommaire de cet ouvrage notre bonheur et notre contribution à celui des autres dépendent pour une large part de notre aptitude à gérer efficacement nos émotions nos impulsions et nos actions

la gestion de soi ce qu'il faut faire pour vivre mieux decitre - Mar 11 2023

web sep 5 2019 il nous apprend à modifier nos habitudes néfastes à changer de schémas de pensée à contrôler des impulsions dangereuses en outre la gestion de soi facilite la confrontation avec des situations stressantes et même le développement d'activités épanouissantes

la nouvelle gestion de soi ce qu'il faut faire pour vivre mieux - Jun 02 2022

web jun 10 2014 conseils pratiques et exercices pour apprendre à gérer et réguler vos émotions notre bonheur et notre contribution à celui des autres dépendent pour une large part de notre

la gestion de soi ce qu'il faut faire pour vivre mieux - Aug 16 2023

web au fil de l'ouvrage jacques van rillaer nous offre les clés pour tendre vers une meilleure gestion de soi-même et par conséquent une vie plus heureuse cet ouvrage de développement personnel vous permettra d'atteindre le bonheur grâce à la gestion de soi

la gestion de soi ce qu'il faut faire pour vivre mieux psychologie - Jul 03 2022

web la gestion de soi ce qu'il faut faire pour vivre mieux psychologie grand public french edition kindle edition french edition

by jacques van rillaer author format kindle edition see all formats and editions kindle edition 19 39 read with our free app paperback 33 92 5 used from 48 69 4 new from 33 92

la nouvelle gestion de soi ce qu il faut faire pour vivre mieux - Oct 06 2022

web l ouvrage présente les informations qui facilitent la modification d habitudes néfastes le changement de schémas de pensée le contrôle d impulsions dangereuses la confrontation

la gestion de soi ce qu il faut faire pour vivre mieux - Jan 29 2022

web conseils pratiques et exercices pour apprendre à gérer et réguler vos émotions notre bonheur et notre contribution à celui des autres dépendent pour une large part de notre aptitude à gérer efficacement nos émotions nos impulsions et nos actions

la nouvelle gestion de soi ce qu il faut faire pour vivre mieux afis - Sep 05 2022

web aug 17 2013 la gestion de soi que l auteur prône s apparente plutôt à ce mouvement dit de déprofessionnalisation très en vogue en Amérique latine qui vise à transférer les savoirs et les savoir faire des professionnels vers les usagers pour qu ils se les approprient et puissent à terme se passer de leurs services et devenir

la gestion de soi ce qu il faut faire pour vivre mieux - Jan 09 2023

web la gestion de soi ce qu il faut faire pour vivre mieux van rillaer jacques amazon com be books

la nouvelle gestion de soi de jacques van rillaer Éditions - Mar 31 2022

web professeur de psychologie à l ucl jacques van rillaer publie la nouvelle gestion de soi ce qu il faut faire pour vivre mieux dans lequel il remet au goût du jour un ouvrage d il y a 20 ans le soir 12 mars 2013 lire l article complet

la gestion de soi ce qu il faut faire pour vivre mieux broché - Jun 14 2023

web sep 5 2019 la gestion de soi ce qu il faut faire pour vivre mieux broché jacques van rillaer achat livre ou ebook fnac accueil livre sciences humaines psychologie psychologie générale et cognitive la gestion de soi jacques van rillaer auteur ce qu il faut faire pour vivre mieux paru le 5 septembre 2019 essai broché la gestion de soi 4

la gestion de soi ce qu il faut faire pour vivre mieux french - May 01 2022

web mar 26 2020 la gestion de soi ce qu il faut faire pour vivre mieux french edition van rillaer jacques andré cristophe on amazon com free shipping on qualifying offers la gestion de soi ce qu il faut faire pour vivre mieux french edition

la gestion de soi ce qu il faut faire pour vivre mieux french - Jul 15 2023

web la gestion de soi ce qu il faut faire pour vivre mieux french edition van rillaer jacques amazon com tr kitap

la gestion de soi ce qu il faut faire pour vivre mieux psychologie - May 13 2023

web au fil de l ouvrage jacques van rillaer nous offre les clés pour tendre vers une meilleure gestion de soi même et par conséquent une vie plus heureuse cet ouvrage de développement personnel vous permettra d atteindre le bonheur grâce à la

gestion de soi

la gestion de soi ce qu il faut faire pour vivre mieux google - Aug 04 2022

web conseils pratiques et exercices pour apprendre à gérer et réguler vos émotions notre bonheur et notre contribution à celui des autres dépendent pour une large part de not

la gestion de soi jacques van rillaer cairn info - Nov 07 2022

web la gestion de soi ce qu il faut faire pour vivre mieux mardaga 2020 apa fr copier van rillaer j 2020 la gestion de soi ce qu il faut faire pour vivre mieux mardaga