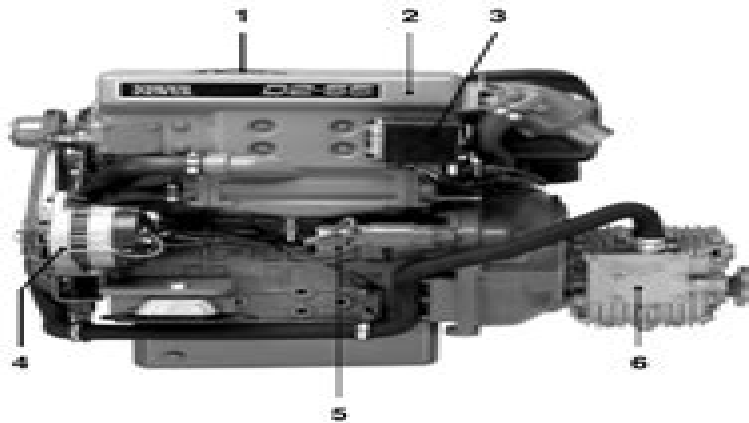
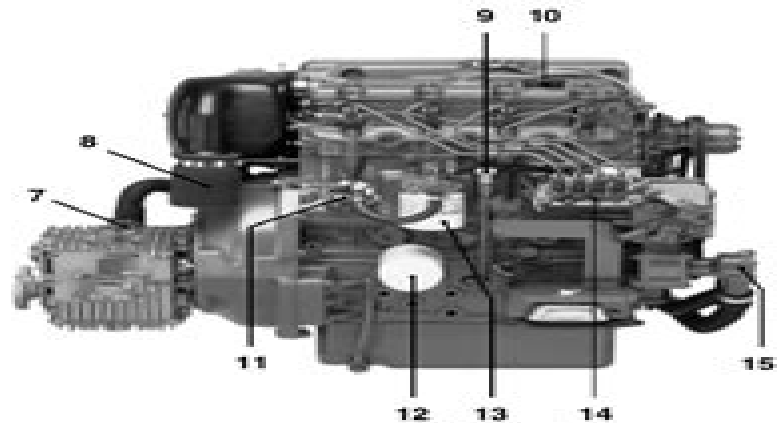


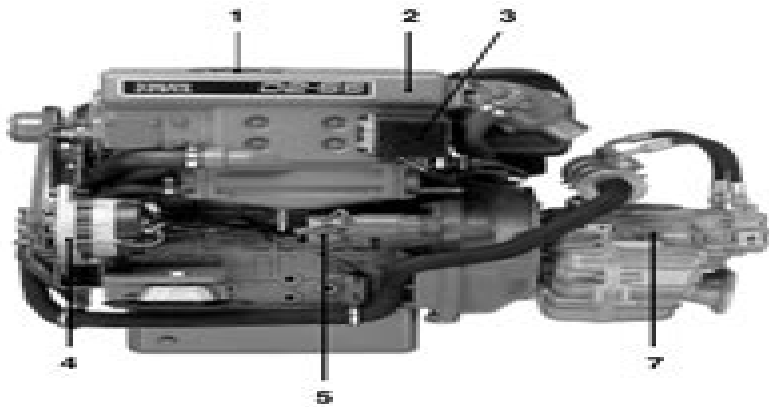
Presentation



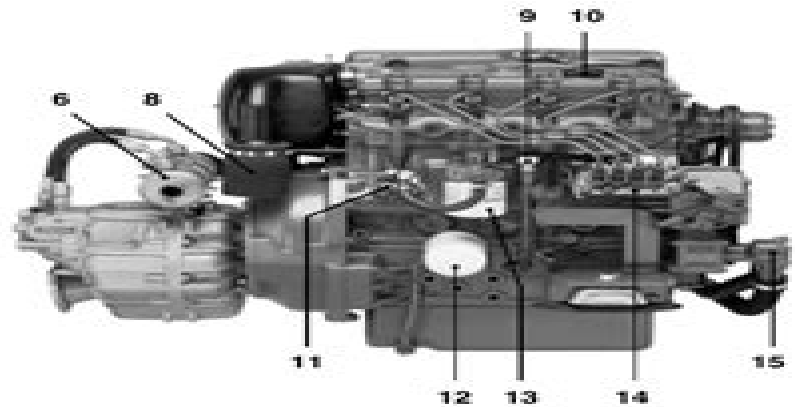
D2-55 with reverse gear MS25L



D2-55 with reverse gear MS25L




D2-55 with reverse gear HS25A



D2-55 with reverse gear HS25A

User Manual Volvo Penta D2 75

(Seloc) Seloc



User Manual Volvo Penta D2 75:

MotorBoating ,2006-05 Moody's International Manual ,1996 **Yachting** ,2003-11 Lakeland Boating ,2004

Replacing Your Boat's Engine Mike Westin,2012-11-30 The first in a series of highly practical hands on step by step photographic manuals Replacing Your Boat s Engine fills a gap in the market for the DIY boat builder and repairer It is a subject covered only in piecemeal fashion by the yachting press which like general boat repair manuals can t go into the level of detail Mike Westin does This is a visual hand holding guide dwelling on the practical details of replacing a boat s engine and related systems as it explains each procedure rather than focussing on the theory which is relegated to an appendix for those who wish to go further Anyone who wishes to upgrade their boat s engine or replace an ailing or broken engine will find this step by step illustrated book a hand holding godsend The Directory of U.S. Trademarks ,1992 Tunnels & Tunnelling ,1979 Agrichemical Directory and Hazard Response Handbook Agro-Research Enterprises,1994 Fishing Gazette ,1960 Commerce ,1974-06 **Volvo Penta Service & Overhaul Manual** Alan T. Burgess,1976 VOLVO PENTA MD 5 Volvo Penta,2015-04-13 Volvo Penta Service and Overhaul Manual A. T. Burgess,1994 **Volvo Penta** (Seloc) Seloc,2008 This manual covers the topics that a factory service manual designed for factory trained mechanics and a manufacturer owner s manual designed more by lawyers than boat owners these days covers It will take you through the basics of maintaining and repairing your motor step by step to help you understand what the factory trained mechanics already know by heart Page 1 2 **VOLVO PENTA MD 11C, C, MD 17C, D** Volvo Penta,2014-03-01 **Volvo Penta AB** Volvo Penta,1976 **VOLVO PENTA MD2010, MD2020, MD2030, MD2040** Volvo Penta,2014-03-02 Volvo-Penta Stern Drives, 1992-93 Joan Coles,Clarence W. Coles,1998-03 SELOC Marine maintenance and repair manuals offer the most comprehensive authoritative information available for outboard inboard stern drive and diesel engines as well as personal watercraft SELOC has been the leading source of how to information for the marine industry since 1974 Designed and written to serve the needs of the professional mechanic do it yourself boat enthusiast instructor and student these manuals are based on actual teardowns done by Chilton Marine s editors authors in our on site facility Providing complete coverage on everything from basic maintenance to engine overhaul every manual features Simple to follow step by step illustrated procedures Hundreds of exploded drawings photographs and tables Troubleshooting sections accurate specifications and wiring diagrams Recognized and used by technical trade schools as well as the U S military Covers all Single SP and Duo Prop DP models powered by Volvo 4 cylinder engines Over 750 illustrations Volvo Penta MD2010, MD2020, MD2030, MD2040 N N,2012-05 **Workshop Manual for Volvo Penta Marine Engines MD2010 MD2020 MD2030 MD2040** **Workshop Manual** ,1985 Pub no 77300424

Immerse yourself in the artistry of words with is expressive creation, Immerse Yourself in **User Manual Volvo Penta D2 75** . This ebook, presented in a PDF format (*), is a masterpiece that goes beyond conventional storytelling. Indulge your senses in prose, poetry, and knowledge. Download now to let the beauty of literature and artistry envelop your mind in a unique and expressive way.

http://www.frostbox.com/files/book-search/index.jsp/Skf_Journal_Bearing_Catalogue.pdf

Table of Contents User Manual Volvo Penta D2 75

1. Understanding the eBook User Manual Volvo Penta D2 75
 - The Rise of Digital Reading User Manual Volvo Penta D2 75
 - Advantages of eBooks Over Traditional Books
2. Identifying User Manual Volvo Penta D2 75
 - Exploring Different Genres
 - Considering Fiction vs. Non-Fiction
 - Determining Your Reading Goals
3. Choosing the Right eBook Platform
 - Popular eBook Platforms
 - Features to Look for in an User Manual Volvo Penta D2 75
 - User-Friendly Interface
4. Exploring eBook Recommendations from User Manual Volvo Penta D2 75
 - Personalized Recommendations
 - User Manual Volvo Penta D2 75 User Reviews and Ratings
 - User Manual Volvo Penta D2 75 and Bestseller Lists
5. Accessing User Manual Volvo Penta D2 75 Free and Paid eBooks
 - User Manual Volvo Penta D2 75 Public Domain eBooks
 - User Manual Volvo Penta D2 75 eBook Subscription Services
 - User Manual Volvo Penta D2 75 Budget-Friendly Options

6. Navigating User Manual Volvo Penta D2 75 eBook Formats
 - ePub, PDF, MOBI, and More
 - User Manual Volvo Penta D2 75 Compatibility with Devices
 - User Manual Volvo Penta D2 75 Enhanced eBook Features
7. Enhancing Your Reading Experience
 - Adjustable Fonts and Text Sizes of User Manual Volvo Penta D2 75
 - Highlighting and Note-Taking User Manual Volvo Penta D2 75
 - Interactive Elements User Manual Volvo Penta D2 75
8. Staying Engaged with User Manual Volvo Penta D2 75
 - Joining Online Reading Communities
 - Participating in Virtual Book Clubs
 - Following Authors and Publishers User Manual Volvo Penta D2 75
9. Balancing eBooks and Physical Books User Manual Volvo Penta D2 75
 - Benefits of a Digital Library
 - Creating a Diverse Reading Collection User Manual Volvo Penta D2 75
10. Overcoming Reading Challenges
 - Dealing with Digital Eye Strain
 - Minimizing Distractions
 - Managing Screen Time
11. Cultivating a Reading Routine User Manual Volvo Penta D2 75
 - Setting Reading Goals User Manual Volvo Penta D2 75
 - Carving Out Dedicated Reading Time
12. Sourcing Reliable Information of User Manual Volvo Penta D2 75
 - Fact-Checking eBook Content of User Manual Volvo Penta D2 75
 - Distinguishing Credible Sources
13. Promoting Lifelong Learning
 - Utilizing eBooks for Skill Development
 - Exploring Educational eBooks
14. Embracing eBook Trends
 - Integration of Multimedia Elements

- Interactive and Gamified eBooks

User Manual Volvo Penta D2 75 Introduction

In the digital age, access to information has become easier than ever before. The ability to download User Manual Volvo Penta D2 75 has revolutionized the way we consume written content. Whether you are a student looking for course material, an avid reader searching for your next favorite book, or a professional seeking research papers, the option to download User Manual Volvo Penta D2 75 has opened up a world of possibilities. Downloading User Manual Volvo Penta D2 75 provides numerous advantages over physical copies of books and documents. Firstly, it is incredibly convenient. Gone are the days of carrying around heavy textbooks or bulky folders filled with papers. With the click of a button, you can gain immediate access to valuable resources on any device. This convenience allows for efficient studying, researching, and reading on the go. Moreover, the cost-effective nature of downloading User Manual Volvo Penta D2 75 has democratized knowledge. Traditional books and academic journals can be expensive, making it difficult for individuals with limited financial resources to access information. By offering free PDF downloads, publishers and authors are enabling a wider audience to benefit from their work. This inclusivity promotes equal opportunities for learning and personal growth. There are numerous websites and platforms where individuals can download User Manual Volvo Penta D2 75. These websites range from academic databases offering research papers and journals to online libraries with an expansive collection of books from various genres. Many authors and publishers also upload their work to specific websites, granting readers access to their content without any charge. These platforms not only provide access to existing literature but also serve as an excellent platform for undiscovered authors to share their work with the world. However, it is essential to be cautious while downloading User Manual Volvo Penta D2 75. Some websites may offer pirated or illegally obtained copies of copyrighted material. Engaging in such activities not only violates copyright laws but also undermines the efforts of authors, publishers, and researchers. To ensure ethical downloading, it is advisable to utilize reputable websites that prioritize the legal distribution of content. When downloading User Manual Volvo Penta D2 75, users should also consider the potential security risks associated with online platforms. Malicious actors may exploit vulnerabilities in unprotected websites to distribute malware or steal personal information. To protect themselves, individuals should ensure their devices have reliable antivirus software installed and validate the legitimacy of the websites they are downloading from. In conclusion, the ability to download User Manual Volvo Penta D2 75 has transformed the way we access information. With the convenience, cost-effectiveness, and accessibility it offers, free PDF downloads have become a popular choice for students, researchers, and book lovers worldwide. However, it is crucial to engage in ethical downloading practices and prioritize personal security when utilizing online platforms. By doing so, individuals can make the most of the vast array of free PDF resources available and embark on a journey of

continuous learning and intellectual growth.

FAQs About User Manual Volvo Penta D2 75 Books

1. Where can I buy User Manual Volvo Penta D2 75 books? Bookstores: Physical bookstores like Barnes & Noble, Waterstones, and independent local stores. Online Retailers: Amazon, Book Depository, and various online bookstores offer a wide range of books in physical and digital formats.
2. What are the different book formats available? Hardcover: Sturdy and durable, usually more expensive. Paperback: Cheaper, lighter, and more portable than hardcovers. E-books: Digital books available for e-readers like Kindle or software like Apple Books, Kindle, and Google Play Books.
3. How do I choose a User Manual Volvo Penta D2 75 book to read? Genres: Consider the genre you enjoy (fiction, non-fiction, mystery, sci-fi, etc.). Recommendations: Ask friends, join book clubs, or explore online reviews and recommendations. Author: If you like a particular author, you might enjoy more of their work.
4. How do I take care of User Manual Volvo Penta D2 75 books? Storage: Keep them away from direct sunlight and in a dry environment. Handling: Avoid folding pages, use bookmarks, and handle them with clean hands. Cleaning: Gently dust the covers and pages occasionally.
5. Can I borrow books without buying them? Public Libraries: Local libraries offer a wide range of books for borrowing. Book Swaps: Community book exchanges or online platforms where people exchange books.
6. How can I track my reading progress or manage my book collection? Book Tracking Apps: Goodreads, LibraryThing, and Book Catalogue are popular apps for tracking your reading progress and managing book collections. Spreadsheets: You can create your own spreadsheet to track books read, ratings, and other details.
7. What are User Manual Volvo Penta D2 75 audiobooks, and where can I find them? Audiobooks: Audio recordings of books, perfect for listening while commuting or multitasking. Platforms: Audible, LibriVox, and Google Play Books offer a wide selection of audiobooks.
8. How do I support authors or the book industry? Buy Books: Purchase books from authors or independent bookstores. Reviews: Leave reviews on platforms like Goodreads or Amazon. Promotion: Share your favorite books on social media or recommend them to friends.
9. Are there book clubs or reading communities I can join? Local Clubs: Check for local book clubs in libraries or community centers. Online Communities: Platforms like Goodreads have virtual book clubs and discussion groups.

10. Can I read User Manual Volvo Penta D2 75 books for free? Public Domain Books: Many classic books are available for free as they're in the public domain. Free E-books: Some websites offer free e-books legally, like Project Gutenberg or Open Library.

Find User Manual Volvo Penta D2 75 :

skf journal bearing catalogue

skl engine manual

~~skoda felicia service manual~~

slave of the orc king armor of lust book 2

skoda yeti autoradio blues

skills worksheet cell structure and function answers

~~sliding compound miter saw manual~~

slaves unchained slave trade book 3

ski doo mxz adr boor power tek 2009 10 sled shop manual

skyteam monkey manual

skoda octavia owners manual 2013

skittles activities for statistics

s1175 workshop manual

ski doo gsx sport 600 ho 2004 service manual

skoda octavia rs service manual

User Manual Volvo Penta D2 75 :

turkey electives medical opportunities in turkey - Apr 01 2022

web our mission turkeyelectives.com is designed to streamline the application process for international visitors in electives clerkships externships and medical observerships

shortlisted clinical officers in makueni county - Jan 10 2023

web shortlisted clinical officers in makueni county author helibert weinfeld from web fsa.gov.kh subject shortlisted clinical officers in makueni county keywords

see law enforcement officers on a study visit to istanbul türkiye - Oct 27 2021

web 17 19 september 2023 istanbul türkiye the unodc passenger and cargo border team pcbt organized a study visit to istanbul türkiye for 16 border police and customs

registered clinical officer job makueni county - Jun 15 2023

web shortlisted candidates will be required to produce their original national identity cards certificates and testimonials at the interview the makueni county government is an

shortlisted clinical officers in makueni county - Nov 08 2022

web 4 shortlisted clinical officers in makueni county 2022 06 14 heart kyle travels from l a to home back to l a and then upon a road trip that leads nowhere except into the very

kitui county registered clinical officer job career point kenya - Jul 04 2022

web kitui county public service board p o box 33 90200 kitui important information to all applicants applications should reach the secretary county public service board on or

establishing and opening a medical clinic in turkey for foreigners - Jun 03 2022

web aug 1 2022 documents required to establish a medical clinic in turkey a medical certificate for a turkish citizen submission of documents demonstrating the conformity of

turkey electives medical opportunities in turkey - Aug 05 2022

web turkey electives is a project of international md phd association impa that helps international students graduates in clinical experiences such as clerkships electives

shortlisted government of makueni county - Sep 18 2023

web we refer to our advertisement seeking applications for the position of medical specialist ii pediatrician in the county public service and are pleased to invite the following

registered clinical officer at turkana county government - Feb 28 2022

web apr 21 2020 job vacancies at turkana county government for registered clinical officer in turkana kenya for job seekers and professionals in april 2020 apply today

istanbul travel guide at wikivoyage - Nov 27 2021

web an islamic house of worship built in western architectural styles and overlooked by a bridge connecting europe and asia ortaköy mosque is an icon of istanbul istanbul turkish

shortlisted clinical officers makueni county - Sep 06 2022

web 2 shortlisted clinical officers makueni county 2022 01 28 shortlisted clinical officers makueni county downloaded from alerts nativefishsociety org by guest sawyer

list of districts of istanbul wikipedia - Dec 29 2021

web list of districts of istanbul this is a list of districts of istanbul in turkey turkish İstanbul un ilçeleri as of 31 december 2022 1 the number of the districts increased from 32 to 39

shortlisted clinical officers in makueni county - Oct 07 2022

web shortlisted clinical officers in makueni county 1 shortlisted clinical officers in makueni county feel the heat development and the private sector in love with her

shortlisted candidates and interview schedule - Mar 12 2023

web shortlisted candidates and interview schedule for the position of secretary ceo of the makueni county public service board mcpsb

registered clinical officer i at makueni county public - Apr 13 2023

web aug 10 2022 job vacancies at makueni county public service board for registered clinical officer i in makueni kenya for job seekers and professionals in august 2022

istanbul travel lonely planet turkey europe - Jan 30 2022

web kadıköy princes islands the bosphorus suburbs sultanahmet nişantaşı bomonti harbiye explore istanbul holidays and discover the best time and places to visit

shortlisted candidates for clinical officers - May 02 2022

web nursing and clinical officers who are the shortlisted candidates for machakos county shortlisted candidates for various county government shortlisted

shortlisted candidates member and secretary of the mcpsb - Dec 09 2022

web 9 rows following the re advertisement in the daily nation newspaper of 20 th december 2019 seeking applications for the position of member 1 position and secretary ceo 1

shortlisted clinical officers in makueni county copy - Feb 11 2023

web shortlisted clinical officers in makueni county medical officers of schools association nov 28 2021 public health jun 04 2022 includes the transactions of the society of

shortlisted clinical officers makueni county 2023 - Aug 17 2023

web shortlisted clinical officers makueni county making devolution work for service delivery in kenya jul 09 2020 kenya adopted a new constitution and began the

registered clinical officer job makueni county oncology - May 14 2023

web shortlisted candidates will be required to produce their original national identity cards certificates and testimonials at the interview the makueni county government is an

registered clinical officer i anaethetist at makueni county public - Jul 16 2023

web aug 10 2022 job vacancies at makueni county public service board for registered clinical officer i anaethetist in makueni kenya for job seekers and professionals in

industrial organization by don e waldman open library - Jan 17 2022

web jul 25 2006 industrial organization theory and practice hardcover july 25 2006 by don e waldman elizabeth j jensen author elizabeth j jensen author 4 2 4 2

industrial organization theory and practice the pearson - Jul 23 2022

web industrial organization theory and practice by waldman don e jensen elizabeth jane

industrial organization theory and practice waldman don e - Mar 19 2022

web sep 20 2021 industrial organization theory and practice by don e waldman and elizabeth j jensen 0 ratings 0 want to read 0 currently reading 0 have read this

industrial organization theory and practice don e waldman - Sep 05 2023

web jul 8 2016 waldman d e jensen e j 2012 industrial organization theory and practice 4th ed routledge doi org 10 4324 9781315510538

industrial organization theory and practice waldman don e - May 21 2022

web this undergraduate text provides a real world approach that integrates game theory with more traditional industrial organisation coverage without the use of calculus includes

industrial organization 5th edition vitalsource - Apr 19 2022

web industrial organization by don waldman elizabeth jensen 2019 taylor francis group edition in english it looks like you re offline donate Čeština cs deutsch de

industrial organization theory and practice worldcat org - Aug 24 2022

web jul 1 2016 written solely for the undergraduate audience industrial organization theory and practice which features early coverage of antitrust punctuates its modern

industrial organization theory and practice don e waldman - Mar 31 2023

web don e waldman and elizabeth j jensen welcome industrial organization theory and practice blends a rigorous theoretical introduction to industrial organization with

industrial organization theory and practice worldcat org - Nov 26 2022

web mar 4 2019 industrial organization theory and practice blends a rigorous theoretical introduction to industrial organization with empirical data real world applications and

industrial organization theory and practice - Jun 02 2023

web don e waldman elizabeth jane jensen routledge 2019 industrial organization 723 pages industrial organization theory

and practice punctuates its modern introduction

industrial organization theory and practice amazon com - Sep 24 2022

web waldman don e jensen elizabeth j industrial organization theory and practice the pearson series in economics isbn 13 9780132770989 industrial organization

industrial organization theory and practice the - May 01 2023

web jul 1 2016 industrial organization theory and practice don e waldman elizabeth j jensen google books don e waldman elizabeth j jensen routledge jul 1 2016

industrial organization theory and practice google books - Feb 27 2023

web mar 27 2019 industrial organization theory and practice blends a rigorous theoretical introduction to industrial organization with empirical data real world applications and

industrial organization theory and practice google books - Oct 26 2022

web pt i the basics of industrial organization pt ii modern industrial organization game theory and strategic behavior pt iii business practices series title pearson series in

industrial organization theory and practice - Dec 28 2022

web apr 11 2013 industrial organization theory and practice don waldman elizabeth j jensen pearson higher ed apr 11 2013 business economics 768 pages 0

industrial organization theory and practice google books - Jul 03 2023

web nov 28 2016 industrial organization theory and practice the pearson series in economics 4th edition by don e waldman author elizabeth j jensen author 4 0

industrial organization theory and practice routledge - Oct 06 2023

web mar 18 2019 industrial organization theory and practice by don e waldman elizabeth j jensen edition 5th edition first published 2019 ebook published 17

industrial organization theory and practice international - Dec 16 2021

industrial organization theory and practice don e waldman - Nov 14 2021

[industrial organization theory and practice don e waldman](#) - Aug 04 2023

web mar 4 2019 industrial organization theory and practice don e waldman elizabeth j jensen google books industrial organization theory and practice blends a

industrial organization theory and practice don e waldman - Jun 21 2022

web don e waldman elizabeth j jensen publisher routledge format reflowable what s this print isbn 9781138068957
1138068950 etext isbn 9781351653527

[industrial organization 2019 edition open library](#) - Feb 15 2022

web mar 11 2019 industrial organization theory and practice blends a rigorous theoretical introduction to industrial organization with empirical data real world applications and

industrial organization theory and practice - Jan 29 2023

web authors don e waldman elizabeth j jensen summary industrial organization theory and practice blends a rigorous theoretical introduction to industrial organization

acute respiratory distress syndrome in adults diagnosis - Dec 11 2022

web sep 4 2022 acute respiratory distress syndrome ards is characterised by acute hypoxaemic respiratory failure with bilateral infiltrates on chest imaging which is not fully explained by cardiac failure or fluid overload ards is defined by the berlin criteria in this series paper the diagnosis management outcomes and long term sequelae of ards

acute respiratory distress syndrome 2022 the lancet - May 04 2022

web sep 4 2022 acute respiratory distress syndrome ards is a clinical syndrome of acute respiratory failure due to diffuse lung inflammation and oedema no specific pharmacological treatment is available for ards which is associated with high morbidity and mortality and supportive care is the mainstay of therapy in the first of a series of three papers

acute respiratory distress syndrome diagnosis and management - Jan 12 2023

web jun 15 2020 acute respiratory distress syndrome ards is a rapidly progressive noncardiogenic pulmonary edema that initially manifests as dyspnea tachypnea and hypoxemia then quickly evolves

the ardsnet protocol may be detrimental in covid 19 pmc - Mar 02 2022

web intensive care units are overwhelmed with covid 19 ards patients during the last months and increased mortality has been reported the surviving sepsis campaign covid 19 guidelines and recently the american thoracic society ats proposed to treat covid 19 per ardsnet protocol 2 3

[automatic protective ventilation using the ardsnet protocol with](#) - Apr 03 2022

web jun 23 2014 a protocol driven ventilation using goal oriented structural programming was implemented and used for 4 hours in seven pigs with lavage induced acute respiratory distress syndrome ards oxygenation plateau pressure and ph goals were controlled during the automatic ventilation therapy using autoardsnet

driving pressure and survival in the acute respiratory distress - Nov 10 2022

web sep 21 2023 the acute respiratory distress syndrome network ardsnet trial 2 is often viewed as showing that low v t values per se decrease mortality from ards however our analyses suggest that the

[acute respiratory distress syndrome statpearls ncbi bookshelf](#) - Mar 14 2023

web apr 6 2023 the nih nhlbi ards clinical network mechanical ventilation protocol ardsnet sets the following goals tidal volume v from 4 to 8 ml kg of ideal body weight ibw respiratory rate rr up to 35 bpm spo₂ 88 to 95 plateau pressure p less than 30 cm h₂o ph goal 7.30 to 7.45 and inspiratory to expiratory time ratio less than 1

[aarc ards protocol banking finance gov ie](#) - Feb 01 2022

web 2 aarc ards protocol 2020 11 19 each chapter are clinical focus exercises rc insights and key points to help readers refine critical thinking and problem solving skills as well as strongly grasp important concepts chapter 1 introduction to patient assessment chapter 2 development and implementation of respiratory

[ards clinical practice guideline 2021 journal of intensive care](#) - Feb 13 2023

web jul 8 2022 recommendations for adult patients with ards are described we suggest against using serum c reactive protein and procalcitonin levels to identify bacterial pneumonia as the underlying disease grade 2d we recommend limiting tidal volume to 4-8 ml/kg for mechanical ventilation grade 1d we recommend against

protocols aarc - Jun 17 2023

web model protocols this is a collection of models or samples of protocols in use in hospitals across the country these should be used as guides only guidelines for preparing a respiratory care protocol this document describes the method for preparing an rc protocol protocols and pathways

adult mechanical ventilator protocol american - Jul 18 2023

web adult mechanical ventilation protocol will be intended for invasive ventilation and will include the following sections guidelines for using ventilator protocols definition of modes and suggestions for use of modes adult respiratory ventilator protocol guidelines for general practice

ards american association for respiratory care - Jun 05 2022

web nov 27 2019 meditech client server and wireless phone connection tina everett added 10 29 2019 blog entry

automatic protective ventilation using the ardsnet protocol with - Jul 06 2022

web jun 23 2014 a protocol driven ventilation using goal oriented structural programming was implemented and used for 4 hours in seven pigs with lavage induced acute respiratory distress syndrome ards oxygenation plateau pressure and ph goals were controlled during the automatic ventilation therapy using autoardsnet

aarc members co author new ards guidelines - Sep 20 2023

web may 9 2017 aarc members dean hess phd rrt faarc and richard branson ms rrt faarc are among the authors of a new set of clinical practice guidelines cpgs on the acute respiratory distress syndrome ards

national center for biotechnology information - Oct 09 2022

web national center for biotechnology information

ardsnet ventilation strategy litfl ccc ventilation - Aug 07 2022

web nov 3 2020 ardsnet ventilation strategy is practical and can be used at the bedside open lung approaches to ventilation typically use higher peep settings than the ardsnet ventilation strategy definitions note that the definitions of ali and ards have been revised however they are included here as they were used in the ardsnet trial see

ards clinical practice guideline 2021 pubmed - May 16 2023

web jul 8 2022 background the joint committee of the japanese society of intensive care medicine japanese respiratory society japanese society of respiratory care medicine on ards clinical practice guideline has created and released the ards clinical practice guideline 2021 methods the 2016 edition of the clinical practice guideline covered

implementation of protocolized care in ards improves outcomes - Sep 08 2022

web conclusions ards protocol implementation was associated with improved survival and rate of adherence keywords acute respiratory distress syndrome gas exchange lung protective ventilation mechanical ventilation propensity score matching protocol implementation mesh terms humans lung respiration artificial

winter 2022 adult acute care bulletin aarc - Apr 15 2023

web protocols provide a framework for clinicians to operate within removing guesswork and decreasing the burden on clinicians as algorithms are followed and care is directed if implemented appropriately the use of protocols checklists and guidance statements can provide safer more efficient care and drive improved patient outcomes 1

clinical practice guidelines aarc - Aug 19 2023

web evidence based clinical practice guidelines expert panel reference based guidelines aarc retired guidelines guidelines from other organizations clinical practice guidelines are developed by experts and form the basis for development of patient driven protocols delivered by respiratory therapists