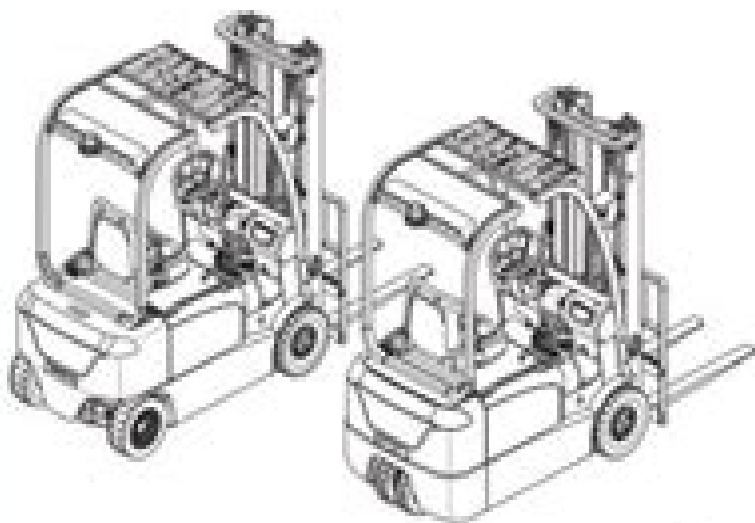


ED中力

## Service Manual

CPD15/18/20TV8  
CPD15/18/20TW8  
CPD15/18/20FVD8

Electric Forklift Truck



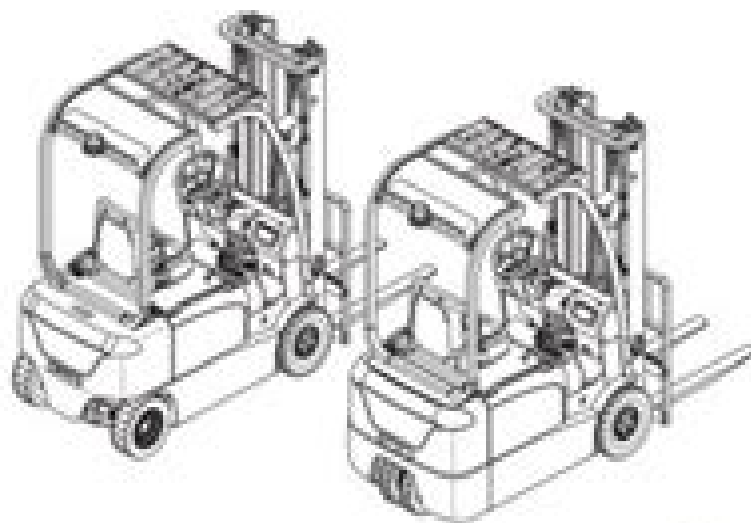
CE

ED中力

## Service Manual

CPD15/18/20TV8  
CPD15/18/20TW8  
CPD15/18/20FVD8

Electric Forklift Truck



CE

# Workshop Service Manual Forklift

**S Baum**



**Workshop Service Manual Forklift:**

Immerse yourself in the artistry of words with Crafted by is expressive creation, Discover the Artistry of **Workshop Service Manual Forklift** . This ebook, presented in a PDF format ( \*), is a masterpiece that goes beyond conventional storytelling. Indulge your senses in prose, poetry, and knowledge. Download now to let the beauty of literature and artistry envelop your mind in a unique and expressive way.

[http://www.frostbox.com/results/publication/Download\\_PDFS/solution\\_manual\\_auditing\\_arens\\_14.pdf](http://www.frostbox.com/results/publication/Download_PDFS/solution_manual_auditing_arens_14.pdf)

## **Table of Contents Workshop Service Manual Forklift**

1. Understanding the eBook Workshop Service Manual Forklift
  - The Rise of Digital Reading Workshop Service Manual Forklift
  - Advantages of eBooks Over Traditional Books
2. Identifying Workshop Service Manual Forklift
  - Exploring Different Genres
  - Considering Fiction vs. Non-Fiction
  - Determining Your Reading Goals
3. Choosing the Right eBook Platform
  - Popular eBook Platforms
  - Features to Look for in an Workshop Service Manual Forklift
  - User-Friendly Interface
4. Exploring eBook Recommendations from Workshop Service Manual Forklift
  - Personalized Recommendations
  - Workshop Service Manual Forklift User Reviews and Ratings
  - Workshop Service Manual Forklift and Bestseller Lists
5. Accessing Workshop Service Manual Forklift Free and Paid eBooks
  - Workshop Service Manual Forklift Public Domain eBooks
  - Workshop Service Manual Forklift eBook Subscription Services
  - Workshop Service Manual Forklift Budget-Friendly Options

6. Navigating Workshop Service Manual Forklift eBook Formats
  - ePub, PDF, MOBI, and More
  - Workshop Service Manual Forklift Compatibility with Devices
  - Workshop Service Manual Forklift Enhanced eBook Features
7. Enhancing Your Reading Experience
  - Adjustable Fonts and Text Sizes of Workshop Service Manual Forklift
  - Highlighting and Note-Taking Workshop Service Manual Forklift
  - Interactive Elements Workshop Service Manual Forklift
8. Staying Engaged with Workshop Service Manual Forklift
  - Joining Online Reading Communities
  - Participating in Virtual Book Clubs
  - Following Authors and Publishers Workshop Service Manual Forklift
9. Balancing eBooks and Physical Books Workshop Service Manual Forklift
  - Benefits of a Digital Library
  - Creating a Diverse Reading Collection Workshop Service Manual Forklift
10. Overcoming Reading Challenges
  - Dealing with Digital Eye Strain
  - Minimizing Distractions
  - Managing Screen Time
11. Cultivating a Reading Routine Workshop Service Manual Forklift
  - Setting Reading Goals Workshop Service Manual Forklift
  - Carving Out Dedicated Reading Time
12. Sourcing Reliable Information of Workshop Service Manual Forklift
  - Fact-Checking eBook Content of Workshop Service Manual Forklift
  - Distinguishing Credible Sources
13. Promoting Lifelong Learning
  - Utilizing eBooks for Skill Development
  - Exploring Educational eBooks
14. Embracing eBook Trends
  - Integration of Multimedia Elements

- Interactive and Gamified eBooks

### **Workshop Service Manual Forklift Introduction**

Workshop Service Manual Forklift Offers over 60,000 free eBooks, including many classics that are in the public domain.

**Open Library:** Provides access to over 1 million free eBooks, including classic literature and contemporary works.

**Workshop Service Manual Forklift** Offers a vast collection of books, some of which are available for free as PDF downloads, particularly older books in the public domain.

**Workshop Service Manual Forklift :** This website hosts a vast collection of scientific articles, books, and textbooks. While it operates in a legal gray area due to copyright issues, its a popular resource for finding various publications.

**Internet Archive for Workshop Service Manual Forklift :** Has an extensive collection of digital content, including books, articles, videos, and more. It has a massive library of free downloadable books.

**Free-eBooks**

**Workshop Service Manual Forklift** Offers a diverse range of free eBooks across various genres.

**Workshop Service Manual Forklift** Focuses mainly on educational books, textbooks, and business books. It offers free PDF downloads for educational purposes.

**Workshop Service Manual Forklift** Provides a large selection of free eBooks in different genres, which are available for download in various formats, including PDF.

**Finding specific Workshop Service Manual Forklift, especially related to Workshop Service Manual Forklift, might be challenging as theyre often artistic creations rather than practical blueprints.**

However, you can explore the following steps to search for or create your own Online Searches:

- Look for websites, forums, or blogs dedicated to Workshop Service Manual Forklift, Sometimes enthusiasts share their designs or concepts in PDF format.

**Books and Magazines** Some Workshop Service Manual Forklift books or magazines might include. Look for these in online stores or libraries. Remember that while Workshop Service Manual Forklift, sharing copyrighted material without permission is not legal. Always ensure youre either creating your own or obtaining them from legitimate sources that allow sharing and downloading.

**Library** Check if your local library offers eBook lending services. Many libraries have digital catalogs where you can borrow Workshop Service Manual Forklift eBooks for free, including popular titles.

**Online Retailers:** Websites like Amazon, Google Books, or Apple Books often sell eBooks. Sometimes, authors or publishers offer promotions or free periods for certain books.

**Authors Website** Occasionally, authors provide excerpts or short stories for free on their websites. While this might not be the Workshop Service Manual Forklift full book , it can give you a taste of the authors writing style.

**Subscription Services** Platforms like Kindle Unlimited or Scribd offer subscription-based access to a wide range of Workshop Service Manual Forklift eBooks, including some popular titles.

## **FAQs About Workshop Service Manual Forklift Books**

How do I know which eBook platform is the best for me? Finding the best eBook platform depends on your reading preferences and device compatibility. Research different platforms, read user reviews, and explore their features before making a choice. Are free eBooks of good quality? Yes, many reputable platforms offer high-quality free eBooks, including classics and public domain works. However, make sure to verify the source to ensure the eBook credibility. Can I read eBooks without an eReader? Absolutely! Most eBook platforms offer webbased readers or mobile apps that allow you to read eBooks on your computer, tablet, or smartphone. How do I avoid digital eye strain while reading eBooks? To prevent digital eye strain, take regular breaks, adjust the font size and background color, and ensure proper lighting while reading eBooks. What the advantage of interactive eBooks? Interactive eBooks incorporate multimedia elements, quizzes, and activities, enhancing the reader engagement and providing a more immersive learning experience. Workshop Service Manual Forklift is one of the best book in our library for free trial. We provide copy of Workshop Service Manual Forklift in digital format, so the resources that you find are reliable. There are also many Ebooks of related with Workshop Service Manual Forklift. Where to download Workshop Service Manual Forklift online for free? Are you looking for Workshop Service Manual Forklift PDF? This is definitely going to save you time and cash in something you should think about. If you trying to find then search around for online. Without a doubt there are numerous these available and many of them have the freedom. However without doubt you receive whatever you purchase. An alternate way to get ideas is always to check another Workshop Service Manual Forklift. This method for see exactly what may be included and adopt these ideas to your book. This site will almost certainly help you save time and effort, money and stress. If you are looking for free books then you really should consider finding to assist you try this. Several of Workshop Service Manual Forklift are for sale to free while some are payable. If you arent sure if the books you would like to download works with for usage along with your computer, it is possible to download free trials. The free guides make it easy for someone to free access online library for download books to your device. You can get free download on free trial for lots of books categories. Our library is the biggest of these that have literally hundreds of thousands of different products categories represented. You will also see that there are specific sites catered to different product types or categories, brands or niches related with Workshop Service Manual Forklift. So depending on what exactly you are searching, you will be able to choose e books to suit your own need. Need to access completely for Campbell Biology Seventh Edition book? Access Ebook without any digging. And by having access to our ebook online or by storing it on your computer, you have convenient answers with Workshop Service Manual Forklift To get started finding Workshop Service Manual Forklift, you are right to find our website which has a comprehensive collection of books online. Our library is the biggest of these that have literally hundreds of thousands of different products represented. You will also see that there are specific sites catered to different categories or niches related with Workshop Service Manual Forklift So depending on what

exactly you are searching, you will be able to choose ebook to suit your own need. Thank you for reading Workshop Service Manual Forklift. Maybe you have knowledge that, people have search numerous times for their favorite readings like this Workshop Service Manual Forklift, but end up in harmful downloads. Rather than reading a good book with a cup of coffee in the afternoon, instead they juggled with some harmful bugs inside their laptop. Workshop Service Manual Forklift is available in our book collection an online access to it is set as public so you can download it instantly. Our digital library spans in multiple locations, allowing you to get the most less latency time to download any of our books like this one. Merely said, Workshop Service Manual Forklift is universally compatible with any devices to read.

### **Find Workshop Service Manual Forklift :**

**solution manual auditing arens 14**

[solidworks drawings manual](#)

~~solution manual finite mathematics 10th edition~~

**solution manual calculus william briggs**

**solution manual for numerical analysis 9th edition**

**solids test answer key for geometry**

**solution manual for modern communication circuits**

[solution manual for ljung identification system](#)

**solution manual for java computer science**

~~solution manual financial accounting 1 valix 2012~~

**solution guide for chemical principles**

[solution manual for law and kelton](#)

*solution manual for analysis synthesis and design of chemical processes*

*solution manual electrochemistry bard*

[solution manual elementary statistics johnson and kuby](#)

### **Workshop Service Manual Forklift :**

Strategic Default: Meaning, Consequences, Alternatives Strategic Default: Meaning, Consequences, Alternatives Strategic Default: The Consequences of 'Walking Away' Nov 26, 2021 — Strategic default occurs when a borrower purposefully stops making payments on a loan, even though they can afford to remain current. Once they ... Strategic Default: Should You Walk



Away From Your Home? With a strategic default, the borrower does the math and makes a business decision to voluntarily stop making payments, even if it's within their ability to ... Strategic Default on Mortgages Apr 3, 2023 — A strategic default is when the borrower unilaterally decides to stop making payments on a debt even when they have sufficient funds ... Strategic Default | Overview & Consequences A strategic default is the decision to stop making payments on a mortgage even though the borrower has the financial ability to continue paying. What is a Strategic Default and When is it an Appropriate ... Oct 30, 2018 — A strategic default occurs when a borrower who is able to pay their mortgage chooses to stop because a property's value has dropped ... Strategic Defaults and Tax Penalties Strategic defaults can spare home owners from crippling mortgages; however, they do not protect the forgiven debt from taxation! Often times, a strategic ... What Is a Strategic Foreclosure? Nov 24, 2020 — A strategic default occurs when a homeowner is able to make their mortgage payments but chooses not to. It's something that usually happens ... Strategic Default Explained | Debt Lawyers A strategic default is essentially a planned foreclosure. Though the borrower may be able to afford payments, continuing to make those payments will lead to ... Strategic Mortgage Default: The Effect of Neighborhood ... by MG Bradley · Cited by 61 — This paper studies strategic default—the willingness of a borrower to walk away from a mortgage when the value of the home falls below the ... VZ Commodore Workshop Manual Dec 3, 2020 — This is the Holden factory manual, not a 3rd-party aftermarket manual. Great, this is the real deal as used by service garages. Unzip the zip ... Holden Commodore Workshop Manual 2004 - 2007 VZ ... Download a free pdf Holden Commodore workshop manual / factory service manual / repair manual for cars built between 2004 - 2007. Suit VZ series vehicles. Holden Commodore VT VX VY VZ Workshop Service ... This manual covers all aspects of vehicle repair, maintenance, servicing and rebuild advice for engine, gearbox, axles, suspension, steering, brakes, interior ... 1997 2007 Holden Commodore Workshop Repair Manual ... 1997 2007 Holden Commodore Workshop Repair Manual VT VU VX VY VZ Booklet Book ... Used : This booklet is in used condition. Store · Feedback; Follow us. 1997 ... Holden VT-VX-VY-VU Commodore Workshop Manual | PDF Holden VT-VX-VY-VU Commodore Workshop Manual - Free ebook download as PDF File (.pdf), Text File (.txt) or read book online for free. VZ Holy Grail workshop manual - Page 1 - HSV & Monaro Dec 17, 2018 — But never a Holden /HSV factory manual that covers RHD Aus spec 5.7 and 6.0 VZ models..... until now :-)

<https://mega.nz/#!Oex2gYyI!> SERVICE MANUAL VZ V8 ENGINE GENUINE NEW GMH SERVICE MANUAL VZ V8 ENGINE GENUINE NEW GMH. SKU: 92193989. Share: Facebook · Twitter · Pinterest · Google+. \$69.95. More info. Holden Commodore (1997 - 2006) Introduction Chapter 1: Tune-up and routine maintenance. Chapter 2A: 3.3L V6 (3MZ-FE) engine. Chapter 2B: 3.5L V6 (2GR-FE) engine Repair Manual Book for Commodore VZ V6 LY7 3.6L 3565cc Looking for a repair manual book to help you maintain or repair your vehicle? Check out our selection of high-quality manuals, including repair manuals, ... servsafe module 4 Flashcards The path that food takes in an operation. Purchasing, receiving, storing, and service. Future Smart: Investing in You (Module 4) | 1.3K plays Future Smart: Investing in You (Module 4) quiz for 6th grade

students. Find other quizzes for Social Studies and more on Quizizz for free! Module 4 Exam Flashcards Study with Quizlet and memorize flashcards containing terms like A schizophrenic client says, "I'm away for the day ... but don't think we should play ... Module 4 Exam Answers.pdf Module 4 is the practical associated knowledge test that is carried out at a DSA approved test centre. There is no driving required. Module 4 quiz On Studocu you find all the lecture notes, summaries and study guides you need to pass your exams with better grades. Need some help with a smart serve test. : r/askTO Hi all. Has anybody here who passed the smart serve test? I got a job where they require the smart serve card and I don't have one. Answer Key for Module 4 Unit B Quiz... Answer Key for Module 4 Unit B Quiz This quiz covers the governance of the national electric power transmission system, emerging technologies for improving ... TIP: Use study aids Oct 2, 2019 — This can help you when it comes time to review all of the information from the online tutorials, learning modules, practice quizzes, and job aid ... Tefl Module 4 Quiz Answers | ITTT Tefl Module 4 Quiz Answers · Is a level 4 TEFL certificate equivalent to a degree? - ITTT TEFL & TESOL · How many modules in a TEFL course? - ITTT ...