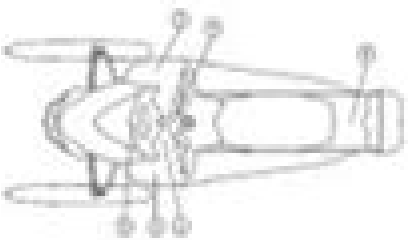


REV-XS 800R E-TEC
REV-NR 800R E-TEC



12-pin

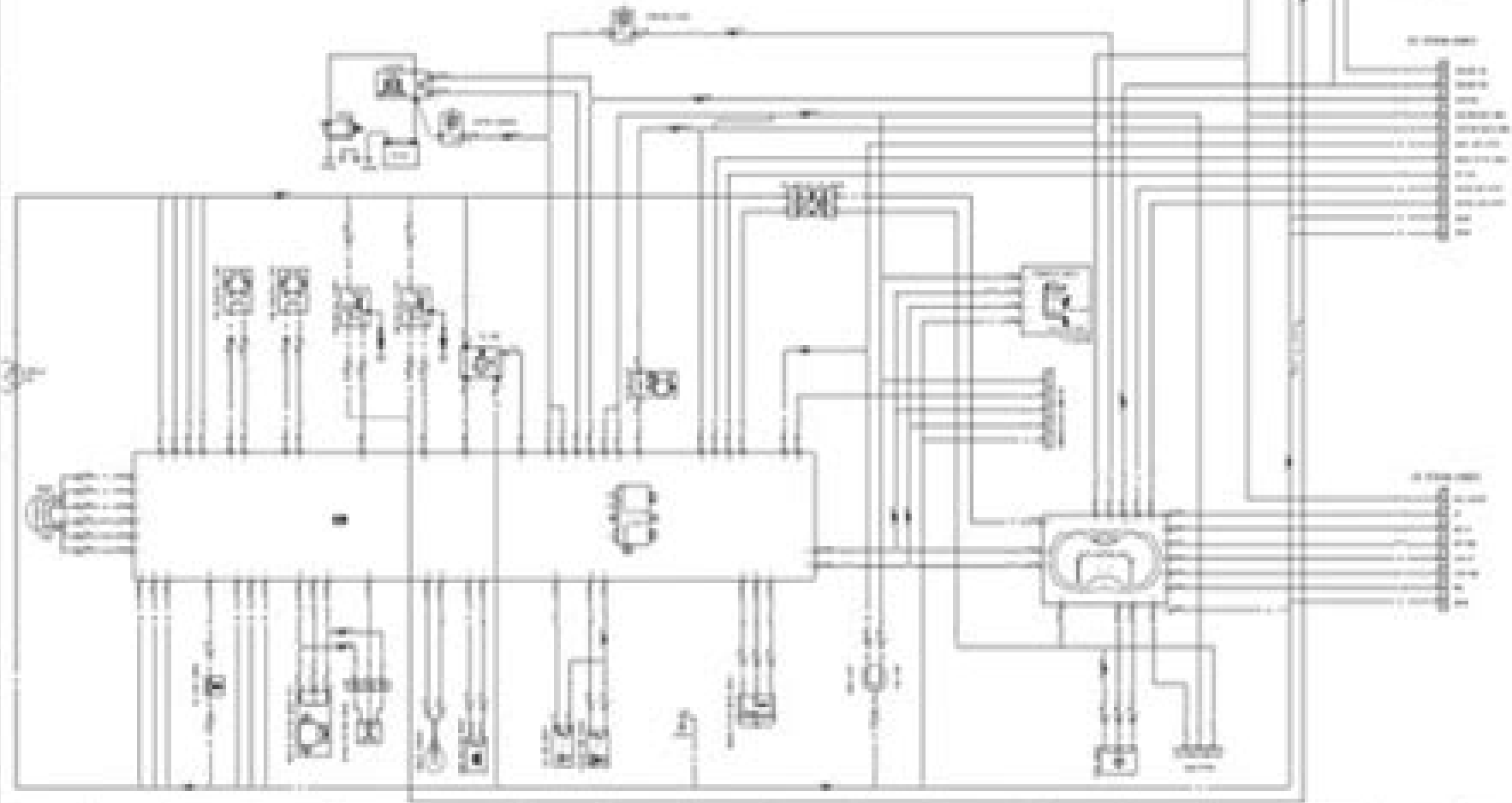
16-pin

12-pin

16-pin

12-pin

16-pin



Ski Doo Mxz Owners Manual

**Minnesota. Department of
Conservation**



Ski Doo Mxz Owners Manual:

'72 **Owner's Manual** Bombardier Limited,1971 Ski-Doo '70 Bombardier Limited,1969 *Snowmobile Service Manual* ,1983 **Clymer Ski-Doo Snowmobile Shop Manual, 1985-1989** Penton Staff,1990-10-01 With the help of the Clymer Ski Doo Snowmobile Shop Manual 1985 1989 in your toolbox you will be able to maintain service and repair your snowmobile to extend its life for years to come Clymer manuals are very well known for their thorough and comprehensive nature This manual is loaded with step by step procedures along with detailed photography exploded views charts and diagrams to enhance the steps associated with a service or repair task This Clymer manual is organized by subsystem with procedures grouped together for specific topics such as front suspension brake system engine and transmission It includes color wiring diagrams The language used in this Clymer repair manual is targeted toward the novice mechanic but is also very valuable for the experienced mechanic The service manual by Clymer is an authoritative piece of DIY literature and should provide you the confidence you need to get the job done and save money too **Snowmobile Service Manual** Intertec Publishing Corporation. Technical Publications Division, *SNOWMOBILE SERVICE MANUAL. 11TH ED.* ,199? Adjust maintain and repair popular snowmobile engines and vehicles *Snowmobile Service Manual* Intertec Publishing Corporation. Technical Publications Division,1971 **Official 1969-1970 Minnesota Snowmobile Safety Manual** Minnesota. Department of Conservation,1969 Polaris Industries L.P. Snowmobile Service Manual Polaris Industries,1994* Operating Manual, Snowmobile Dealers ,1976 **2010 Dodge Challenger Owner Manual Compatible with OEM Owners Manual, Factory Glovebox Book** Helming,2010-06-08 **Snowmobile Engine Service Manual** ,1973 **2021 Mazda CX-9 Owner Manual Compatible with OEM Owners Manual, Factory Glovebox Book** Helming,2021-07-18 *Willys-Overland* Willys-Overland Motors, Inc,1949 Hus-Ski Model 444 ,1962 **Minnesota Snowmobile Trails Assistance Program** ,1985 **2014 Jeep Compass Owner Manual Compatible with OEM Owners Manual, Factory Glovebox Book** Helming,2014-09-03 **The Jet Ski Manual** Christophe Harmand,2012-04-10 Jet skis are immensely popular coastal playthings but they need careful handling and maintenance This is a highly illustrated hands on manual providing advice hints and tips on choosing driving handling maintaining and repairing a jet ski the complete owner s manual Many owners will prefer to service and maintain their own machine much like they would with an outboard motor rather than take it to a service agent and the step by step photos in this book will enable them to do just this This is a brand new highly illustrated step by step guide for the jet ski owner of which there are many in the UK alone which provides helpful advice on all the aspects of ownership handling and maintenance There is no other book on the market which does this **National Street Rodder's Owner's Manual** Donato J. Brigidi,Michael A. Brigidi,1986-02-01 *Snowmobile Colorado!* ,1997

Ski Doo Mxz Owners Manual Book Review: Unveiling the Magic of Language

In a digital era where connections and knowledge reign supreme, the enchanting power of language has become more apparent than ever. Its ability to stir emotions, provoke thought, and instigate transformation is actually remarkable. This extraordinary book, aptly titled "**Ski Doo Mxz Owners Manual**," published by a very acclaimed author, immerses readers in a captivating exploration of the significance of language and its profound effect on our existence. Throughout this critique, we will delve to the book's central themes, evaluate its unique writing style, and assess its overall influence on its readership.

<http://www.frostbox.com/results/book-search/Documents/teach%20me%20to%20submit.pdf>

Table of Contents Ski Doo Mxz Owners Manual

1. Understanding the eBook Ski Doo Mxz Owners Manual
 - The Rise of Digital Reading Ski Doo Mxz Owners Manual
 - Advantages of eBooks Over Traditional Books
2. Identifying Ski Doo Mxz Owners Manual
 - Exploring Different Genres
 - Considering Fiction vs. Non-Fiction
 - Determining Your Reading Goals
3. Choosing the Right eBook Platform
 - Popular eBook Platforms
 - Features to Look for in an Ski Doo Mxz Owners Manual
 - User-Friendly Interface
4. Exploring eBook Recommendations from Ski Doo Mxz Owners Manual
 - Personalized Recommendations
 - Ski Doo Mxz Owners Manual User Reviews and Ratings
 - Ski Doo Mxz Owners Manual and Bestseller Lists

5. Accessing Ski Doo Mxz Owners Manual Free and Paid eBooks
 - Ski Doo Mxz Owners Manual Public Domain eBooks
 - Ski Doo Mxz Owners Manual eBook Subscription Services
 - Ski Doo Mxz Owners Manual Budget-Friendly Options
6. Navigating Ski Doo Mxz Owners Manual eBook Formats
 - ePub, PDF, MOBI, and More
 - Ski Doo Mxz Owners Manual Compatibility with Devices
 - Ski Doo Mxz Owners Manual Enhanced eBook Features
7. Enhancing Your Reading Experience
 - Adjustable Fonts and Text Sizes of Ski Doo Mxz Owners Manual
 - Highlighting and Note-Taking Ski Doo Mxz Owners Manual
 - Interactive Elements Ski Doo Mxz Owners Manual
8. Staying Engaged with Ski Doo Mxz Owners Manual
 - Joining Online Reading Communities
 - Participating in Virtual Book Clubs
 - Following Authors and Publishers Ski Doo Mxz Owners Manual
9. Balancing eBooks and Physical Books Ski Doo Mxz Owners Manual
 - Benefits of a Digital Library
 - Creating a Diverse Reading Collection Ski Doo Mxz Owners Manual
10. Overcoming Reading Challenges
 - Dealing with Digital Eye Strain
 - Minimizing Distractions
 - Managing Screen Time
11. Cultivating a Reading Routine Ski Doo Mxz Owners Manual
 - Setting Reading Goals Ski Doo Mxz Owners Manual
 - Carving Out Dedicated Reading Time
12. Sourcing Reliable Information of Ski Doo Mxz Owners Manual
 - Fact-Checking eBook Content of Ski Doo Mxz Owners Manual
 - Distinguishing Credible Sources
13. Promoting Lifelong Learning

- Utilizing eBooks for Skill Development
 - Exploring Educational eBooks
14. Embracing eBook Trends
- Integration of Multimedia Elements
 - Interactive and Gamified eBooks

Ski Doo Mxz Owners Manual Introduction

Ski Doo Mxz Owners Manual Offers over 60,000 free eBooks, including many classics that are in the public domain. Open Library: Provides access to over 1 million free eBooks, including classic literature and contemporary works. Ski Doo Mxz Owners Manual Offers a vast collection of books, some of which are available for free as PDF downloads, particularly older books in the public domain. Ski Doo Mxz Owners Manual : This website hosts a vast collection of scientific articles, books, and textbooks. While it operates in a legal gray area due to copyright issues, its a popular resource for finding various publications. Internet Archive for Ski Doo Mxz Owners Manual : Has an extensive collection of digital content, including books, articles, videos, and more. It has a massive library of free downloadable books. Free-eBooks Ski Doo Mxz Owners Manual Offers a diverse range of free eBooks across various genres. Ski Doo Mxz Owners Manual Focuses mainly on educational books, textbooks, and business books. It offers free PDF downloads for educational purposes. Ski Doo Mxz Owners Manual Provides a large selection of free eBooks in different genres, which are available for download in various formats, including PDF. Finding specific Ski Doo Mxz Owners Manual, especially related to Ski Doo Mxz Owners Manual, might be challenging as theyre often artistic creations rather than practical blueprints. However, you can explore the following steps to search for or create your own Online Searches: Look for websites, forums, or blogs dedicated to Ski Doo Mxz Owners Manual, Sometimes enthusiasts share their designs or concepts in PDF format. Books and Magazines Some Ski Doo Mxz Owners Manual books or magazines might include. Look for these in online stores or libraries. Remember that while Ski Doo Mxz Owners Manual, sharing copyrighted material without permission is not legal. Always ensure youre either creating your own or obtaining them from legitimate sources that allow sharing and downloading. Library Check if your local library offers eBook lending services. Many libraries have digital catalogs where you can borrow Ski Doo Mxz Owners Manual eBooks for free, including popular titles. Online Retailers: Websites like Amazon, Google Books, or Apple Books often sell eBooks. Sometimes, authors or publishers offer promotions or free periods for certain books. Authors Website Occasionally, authors provide excerpts or short stories for free on their websites. While this might not be the Ski Doo Mxz Owners Manual full book , it can give you a taste of the authors writing style. Subscription Services Platforms like Kindle Unlimited or Scribd offer subscription-based access to a wide range of Ski Doo Mxz Owners Manual eBooks, including some

popular titles.

FAQs About Ski Doo Mxz Owners Manual Books

How do I know which eBook platform is the best for me? Finding the best eBook platform depends on your reading preferences and device compatibility. Research different platforms, read user reviews, and explore their features before making a choice. Are free eBooks of good quality? Yes, many reputable platforms offer high-quality free eBooks, including classics and public domain works. However, make sure to verify the source to ensure the eBook credibility. Can I read eBooks without an eReader? Absolutely! Most eBook platforms offer webbased readers or mobile apps that allow you to read eBooks on your computer, tablet, or smartphone. How do I avoid digital eye strain while reading eBooks? To prevent digital eye strain, take regular breaks, adjust the font size and background color, and ensure proper lighting while reading eBooks. What the advantage of interactive eBooks? Interactive eBooks incorporate multimedia elements, quizzes, and activities, enhancing the reader engagement and providing a more immersive learning experience. Ski Doo Mxz Owners Manual is one of the best book in our library for free trial. We provide copy of Ski Doo Mxz Owners Manual in digital format, so the resources that you find are reliable. There are also many Ebooks of related with Ski Doo Mxz Owners Manual. Where to download Ski Doo Mxz Owners Manual online for free? Are you looking for Ski Doo Mxz Owners Manual PDF? This is definitely going to save you time and cash in something you should think about. If you trying to find then search around for online. Without a doubt there are numerous these available and many of them have the freedom. However without doubt you receive whatever you purchase. An alternate way to get ideas is always to check another Ski Doo Mxz Owners Manual. This method for see exactly what may be included and adopt these ideas to your book. This site will almost certainly help you save time and effort, money and stress. If you are looking for free books then you really should consider finding to assist you try this. Several of Ski Doo Mxz Owners Manual are for sale to free while some are payable. If you arent sure if the books you would like to download works with for usage along with your computer, it is possible to download free trials. The free guides make it easy for someone to free access online library for download books to your device. You can get free download on free trial for lots of books categories. Our library is the biggest of these that have literally hundreds of thousands of different products categories represented. You will also see that there are specific sites catered to different product types or categories, brands or niches related with Ski Doo Mxz Owners Manual. So depending on what exactly you are searching, you will be able to choose e books to suit your own need. Need to access completely for Campbell Biology Seventh Edition book? Access Ebook without any digging. And by having access to our ebook online or by storing it on your computer, you have convenient answers with Ski Doo Mxz Owners Manual To get started finding Ski Doo Mxz Owners Manual, you are right to

find our website which has a comprehensive collection of books online. Our library is the biggest of these that have literally hundreds of thousands of different products represented. You will also see that there are specific sites catered to different categories or niches related with Ski Doo Mxz Owners Manual So depending on what exactly you are searching, you will be able to choose ebook to suit your own need. Thank you for reading Ski Doo Mxz Owners Manual. Maybe you have knowledge that, people have search numerous times for their favorite readings like this Ski Doo Mxz Owners Manual, but end up in harmful downloads. Rather than reading a good book with a cup of coffee in the afternoon, instead they juggled with some harmful bugs inside their laptop. Ski Doo Mxz Owners Manual is available in our book collection an online access to it is set as public so you can download it instantly. Our digital library spans in multiple locations, allowing you to get the most less latency time to download any of our books like this one. Merely said, Ski Doo Mxz Owners Manual is universally compatible with any devices to read.

Find Ski Doo Mxz Owners Manual :

teach me to submit

[tcu application essay prompt](#)

teach nology rewriting paragraphs answer key

[tdm 2000 manual](#)

teacher guide for top notch

[tdi volkswagen touareg service manual](#)

teacher guide and answer for biology

teacher manual for practicing biology campbell

[tcs written test papers 2010 with answers](#)

tca curriculum guide for sat

tcl tv manual

[tcc et neurosciences](#)

team building email examples

[teacher guide measuring motion answer sheet](#)

teaching practice handbook 199roger gower diane

Ski Doo Mxz Owners Manual :

[engineering mechanics statics mcgill king solution manual](#) - Sep 22 2021

web jul 28 2023 engineering mechanics statics mcgill king solution manual 2 8 downloaded from uniport edu ng on july 28 2023 by guest develop predictive models of

engineering mechanics statics by mariam kraig 5th edition - Jun 12 2023

web november 17th 2019 if you are searching for a book solution manual engineering mechanics mcgill king in pdf format in that case you come on to the loyal site we

engineering mechanics statics mcgill king 4th edition - Aug 02 2022

web aug 27 2023 engineer s handbook was developed and written specifically to fill a need for mechanical engineers and mechanical engineering students with over 1000

[engineering mechanics statics 4th edition mcgill solutions](#) - May 11 2023

web engineering mechanics statics by mcgill david j 1939 publication date 1989 topics mechanics applied statics publisher boston pws kent pub co

download free engineering mechanics statics mcgill king - Sep 03 2022

web engineering mechanics d j mcgill 1989 08 24 in this edition chapter 1 includes various approaches to problem solving especially those involving the use of the free body

[engineering mechanics statics mcgill david j 1939 free](#) - Dec 26 2021

web mechanics an introduction solution manual engineering mechanics mcgill king engineering mechanics statics 11th edition solution manual king mcgill get

engineering mechanics statics 4th edition mcgill solutions - Nov 24 2021

web engineering mechanics statics solutions manual statics fourth edition mcgill king solutions manual statics and dynamics gray costanzo plesha 2nd edition instructor

download free engineering mechanics statics mcgill king - Jul 01 2022

web sep 8 2023 this mcgill king engineering mechanics statics as one of the most in force sellers here will certainly be accompanied by the best options to review sony

engineering mechanics statics 4th edition mcgill solutions - Oct 24 2021

web jul 31 2023 engineering mechanics statics mcgill king solution manual 1 13 downloaded from uniport edu ng on july 31 2023 by guest engineering mechanics

engineering mechanics statics mcgill king solution manual - Aug 22 2021

engineering mechanics statics 13th edition solution manual academia edu - Aug 14 2023

web aug 29 2023 as this engineering mechanics statics mcgill king solution manual it ends taking place physical one of the favored books engineering mechanics statics

mcgill and king engineering mechanics statics solution - Mar 09 2023

web dynamics solutions manual engineering mechanics statics 2nd edition how do you download the solution manual of engineering engineering mechanics statics 4th

engineering mechanics statics mcgill king solution manual pdf - Apr 29 2022

web engineering mechanics statics mcgill solution manual brands our partner select all hosts manualslib is a free no sign up required library of product manuals

access free mcgill king engineering mechanics statics pdf free - May 31 2022

web jul 31 2023 engineering mechanics statics mcgill king solution manual 2 8 downloaded from uniport edu ng on july 31 2023 by guest chemical education

engineering mechanics statics mcgill king solution manual - Dec 06 2022

web aug 24 2023 download free engineering mechanics statics mcgill king solution manual free download pdf manual engineering mechanics solutions manual

download free engineering mechanics statics mcgill king - Jul 13 2023

web use of the instructor s manual the problem solution portion of this manual has been prepared for the instructor who wishes to occasionally refer to the authors method

engineering mechanics statics mcgill king solution manual copy - Jan 27 2022

web engineering mechanics statics by mcgill david j 1939 publication date 1985 topics mechanics applied statics me canique applique e statique mechanics

engineering mechanics statics mcgill king solution manual copy - Feb 25 2022

web aug 6 2023 engineering mechanics statics mcgill king solution manual 2 7 downloaded from uniport edu ng on august 6 2023 by guest craft this pocket book

engineering mechanics statics david j mcgill wilton w king - Jan 07 2023

web 4 4 engineering mechanics statics mcgill king solution manual 2021 04 09 trigonometry problem 2 5 engineering mechanics 2 1 1 introduction to frames and

engineering mechanics statics mcgill solution manual - Mar 29 2022

web jul 23 2023 engineering mechanics statics mcgill king solution manual 2 10 downloaded from uniport edu ng on july 23 2023 by guest 1000 pages 550 illustrations

engineering mechanics statics 4th edition mcgill solutions - Feb 08 2023

web jan 1 2003 instead would get engineering mechanics statics 13th edition 13 978 0132915540 this book does all the topics in details but its in black and orange color all

engineering mechanics statics mcgill king solution manual - Oct 04 2022

web jul 25 2023 download free engineering mechanics statics mcgill king solution manual free download pdf dam aawsat download free engineering mechanics

engineering mechanics statics mcgill david j 1939 free - Apr 10 2023

web onald c hildress it 364650053 statics mc gill king pdf engineering mechanics solution manual for an introduction to dynamics david mcgill wilton king october

download free engineering mechanics statics mcgill king - Nov 05 2022

web access to them this is an totally easy means to specifically acquire guide by on line this online publication engineering mechanics statics mcgill king solution manual can

libro nicolae left behind no 3 english edition de tim - Jan 27 2022

amazon com nicolae left behind volume 3 audible - Oct 04 2022

web nicolae left behind volume 3 audible audiobook unabridged richard ferrone narrator tim lahaye author jerry b jenkins author recorded books publisher

nicolae left behind book 3 amazon com - Jul 13 2023

web jan 7 2002 4 7 2 067 ratings book 3 of 13 left behind see all formats and editions kindle 11 99 read with our free app audiobook 0 00 free with your audible trial

left behind series book 3 of 12 nicolae youtube - Apr 29 2022

web nov 5 2020 descarga nicolae left behind no 3 english edition de tim lahaye jerry b jenkins libro pdf descargar audiolibro nicolae left behind no 3

nicolae left behind volume 3 audible audiobook amazon co uk - Jul 01 2022

web nicolae book read 831 reviews from the world s largest community for readers first they were left behind then they formed the tribulation force now

nicolae left behind no 3 the rise of antichrist kindle edition - Nov 05 2022

web nov 16 2022 find helpful customer reviews and review ratings for nicolae left behind volume 3 at amazon com read honest and unbiased product reviews from our users

nicolae left behind no 3 the rise of antichrist - Aug 14 2023

web mar 16 2011 [nicolae left behind no 3 the rise of antichrist kindle edition by lahaye tim jenkins jerry b](#) download it once and read it on your kindle device pc

nicolae left behind no 3 english edition by tim lahaye jerry b - Nov 24 2021

[nicolae left behind no 3 the rise of antichrist left behind](#) - Feb 08 2023

web nicolae book read reviews from world s largest community for readers

[amazon com customer reviews nicolae left behind volume 3](#) - Aug 02 2022

web jul 12 2019 to support production of more titles like this purchase your own copy at apple books books apple com us audiobook nicolae the rise of antichrist i

nicolae left behind 3 by tim lahaye goodreads - Mar 29 2022

web jun 10 2023 ebooks ebooks nicolae high left behind the kids book 5 kindle edition left behind the movie video 2000 imdb nicolae the rise of antichrist audiobook by tim

nicolae left behind no 3 the rise of antichrist left behind - Sep 03 2022

web mar 15 2023 download nicolae left behind 3 by tim lahaye in pdf epub format complete free brief summary of book nicolae left behind 3 by tim lahaye here

nicolae left behind 3 1 of 12 world at war youtube - Feb 25 2022

web nicolae left behind no 3 english edition by tim lahaye jerry b jenkins dramatization 3 rapture s witness the earth s last days are upon us left behind series collectors edition

nicolae left behind no 3 english edition by tim lahaye jerry b - Dec 26 2021

nicolae left behind book 3 february 2002 edition open library - Apr 10 2023

web nicolae left behind no 3 the rise of antichrist left behind series book 3 the apocalyptic christian fiction thriller and suspense series about the end times

[nicolae left behind 3 by tim lahaye goodreads](#) - Jun 12 2023

web nicolae the rise of the antichrist book 3 of the left behind series tim lahaye jerry b jenkins chapter one it was the worst of times it was the worst of times

[nicolae left behind no 3 the rise of antichrist english](#) - Jan 07 2023

web evil has a name nicolae 3 in the phenomenal new york times best selling left behind series that rocked the publishing world and made millions think seriously about the future

[pdf epub nicolae left behind 3 download oceanofpdf](#) - May 31 2022

web mar 8 2021 read and download book from iamebook com book nicolae read more books from iamebook com i am ebook provide you range of books to read

[nicolae the rise of antichrist left behind series 3](#) - Mar 09 2023

web mar 16 2011 amazon co jp nicolae left behind no 3 the rise of antichrist english edition ebook lahaye tim jenkins jerry b kindle store

nicolae left behind 3 by tim lahaye goodreads - Dec 06 2022

web nicolae left behind no 3 the rise of antichrist left behind series book 3 the apocalyptic christian fiction thriller and suspense series about the end times ebook

nicolae preterhuman net - May 11 2023

web nicolae left behind book 3 by jerry b jenkins february 2002 tyndale house publishers edition paperback in english lrg edition

mark scheme results november 2020 revision maths - Oct 05 2022

web jan 14 2021 pearson edexcel gcse 9 1 in mathematics 1ma1 higher non calculator paper 1h unless indicated otherwise in the mark scheme full marks can be gained if the solution alone is given on the answer line or otherwise dep dependent on a previous mark indep independent awrt answer which rounds to isw ignore subsequent

edexcel gcse maths past papers study mind - Jul 02 2022

web learn more 28 35ph november 2020 pearson edexcel gcse 9 1 mathematics 1ma1 these papers are labelled as june 2020 paper 1 non calculator 1ma1 1f foundation tier question paper mark scheme paper 1 non calculator 1ma1 1h higher tier question paper mark scheme paper 2 calculator 1ma1 2f foundation tier

mark scheme results january 2022 pearson qualifications - Jan 28 2022

web mar 3 2022 mark scheme results january 2022 pearson edexcel international gcse mathematics a 4ma1 paper 1f edexcel and btec qualifications international gcse maths apart from question 9c 13 21b the correct answer unless clearly obtained by an incorrect method should be taken to imply a correct

mark scheme results november 2021 pearson qualifications - Apr 11 2023

web jan 13 2022 pearson edexcel gcse in mathematics 1ma1 foundation non calculator paper 1f edexcel and btec qualifications edexcel and btec qualifications are awarded by pearson the uk s largest awarding body we provide a wide range of qualifications including academic vocational occupational and specific programmes for

mark scheme results november 2020 revision maths - Sep 04 2022

web jan 14 2021 m1 for at least 3 multiples of both 60 and 84 can include 60 and 84 or finds the prime factors of both 84 may be seen in a and 60 may be seen in factor trees a1 420 or 2 2 3 5 7 oe condone the use of 1 accept 22 3 7 60 120 180

240 300 360 420 84 168 252 336 420

gcse edexcel maths past papers revisely - Aug 03 2022

web all past papers and mark schemes for the latest edexcel specification of gcse maths

gcse maths mark schemes - Apr 30 2022

web nov 1 2019 specimen papers 1 paper 1 foundation mark scheme specimen papers 1 paper 2 foundation mark scheme specimen papers 1 paper 3 foundation mark scheme edexcel higher papers nov 2021 higher papers paper 1 nov 2021 higher mark scheme paper 2 nov 2021 higher mark scheme paper 3 nov 2021 higher

mark scheme results november 2021 pearson qualifications - Feb 09 2023

web jan 13 2022 mark scheme results november 2021 pearson edexcel gcse in mathematics 1ma1 foundation calculator paper 2f edexcel and btec qualifications dep dependent on a previous mark indep independent awrt answer which rounds to isw ignore subsequent working paper 1ma1 2f

gcse maths past papers and mark schemes june 2022 available - Dec 27 2021

web gcse maths past papers mark schemes and model answers written mark schemes for all gcse exam boards edexcel aqa ocr and wjec new hiring a level maths students predicted an a or further maths students predicted an a or a to write solutions for worksheets other resources

mark scheme results november 2021 revision maths - Feb 26 2022

web jan 13 2022 mark scheme results november 2021 pearson edexcel gcse in mathematics 1ma1 higher calculator paper 2h

edexcel gcse maths past papers edexcel mark schemes - May 12 2023

web find all edexcel gcse maths past papers and mark schemes for the new specification graded 9 1 revise better with maths made easy

mark scheme results november 2021 revision maths - Jun 01 2022

web jan 13 2022 mark scheme results november 2021 pearson edexcel gcse in mathematics 1ma1 higher calculator paper 3h

past papers past exam papers pearson qualifications - Jul 14 2023

web past papers our easy to use past paper search gives you instant access to a large library of past exam papers and mark schemes they re available free to teachers and students although only teachers can access the most recent papers sat within the past 12 months what past papers are available when and to whom

[all past exam papers mark schemes for edexcel gcse maths](#) - Jan 08 2023

web free past and mock exam papers for edexcel 1ma1 gcse maths geometry measures statistics probability exam papers

gcse maths edexcel 1ma1 9 1 exam papers november 2018 foundation paper 1 non calculator question paper mark scheme
foundation paper 2 calculator question paper mark scheme foundation

edexcel gcse maths past papers save my exams - Mar 10 2023

web past papers mark schemes new spec june 2022 paper 1 foundation paper 1 foundation mark scheme paper 1 higher
paper 1 higher mark scheme paper 2 foundation paper 2 foundation ms paper 2 higher paper 2 higher ms paper 3 foundation
paper 3 foundation ms paper 3 higher paper 3 higher ms nov 2021

gcse maths past papers mark schemes specimen papers - Mar 30 2022

web access all the relevant gcse maths past papers for the major exam boards including aqa edexcel ocr and igcse boards by
year along with the corresponding mark schemes past papers from gcse maths specifications that are no longer in use can
still be useful but ensure you select the topics and question types that are still relevant to

edexcel past papers edexcel mark schemes exam solutions - Dec 07 2022

web revise for your gcse maths exam using the most comprehensive maths revision cards available alongside practice exam
papers and mark schemes this discounted pack contains 80 gcse revision cards 3 exam paper booklets and

edexcel gcse maths past papers revision maths - Aug 15 2023

web pearson edexcel gcse maths past exam papers and marking schemes for gcse 9 1 in mathematics 1ma1 and prior to 2017
mathematics a and mathematics b syllabuses the past papers are free to download for you to use as practice for your exams

maths genie edexcel gcse maths past papers mark schemes - Jun 13 2023

web maths gcse past papers foundation and higher for the edexcel exam board with mark schemes grade boundaries model
answers and video solutions

gcse 9 1 mathematics pearson qualifications - Nov 06 2022

web pearson edexcel level 1 level 2 gcse 9 1 in mathematics 1ma1 4 mathematics paper 3h mark scheme 165 p v 1v 2 91 2
2015 2015 1 introduction the pearson edexcel level 1 level 2 gcse 9 1 in mathematics is designed for use in dep dependent on
a previous mark indep independent awrt answer which rounds to isw ignore subsequent