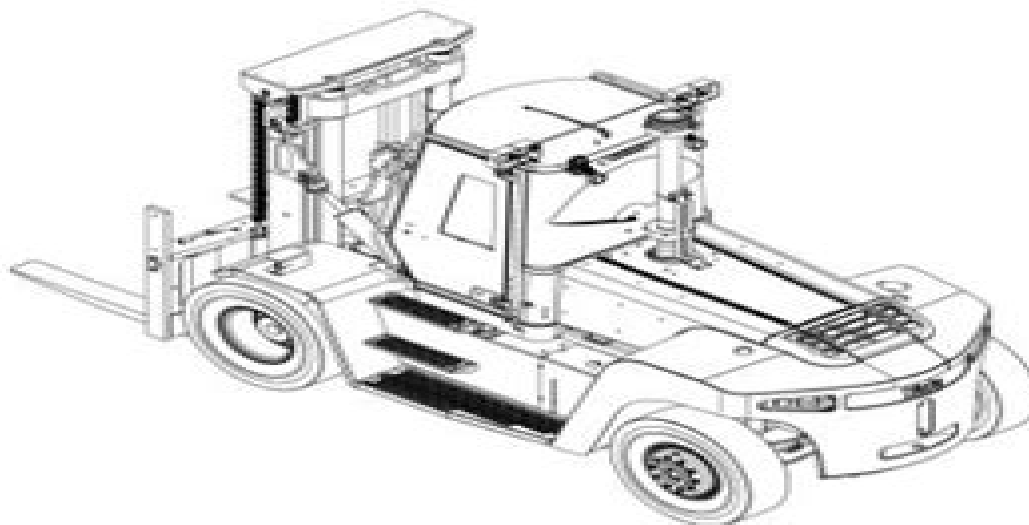


**GDP130EC, GDP140EC, GDP160EC
(G877)**



Yale Forklift Manual Gdp 05

David Baud



Yale Forklift Manual Gdp 05:

The Forklift Manual John L. Ryan,L. D. Ryan,2006

Operator's Manual ,1991

Operator's Manual ,1991

Operator's Manual ,1990

Operator's Manual ,1991

Reviewing **Yale Forklift Manual Gdp 05**: Unlocking the Spellbinding Force of Linguistics

In a fast-paced world fueled by information and interconnectivity, the spellbinding force of linguistics has acquired newfound prominence. Its capacity to evoke emotions, stimulate contemplation, and stimulate metamorphosis is truly astonishing. Within the pages of "**Yale Forklift Manual Gdp 05**," an enthralling opus penned by a highly acclaimed wordsmith, readers attempt an immersive expedition to unravel the intricate significance of language and its indelible imprint on our lives. Throughout this assessment, we shall delve into the book's central motifs, appraise its distinctive narrative style, and gauge its overarching influence on the minds of its readers.

http://www.frostbox.com/results/detail/index.jsp/Volkswagen_Sharan_Workshop_Manual.pdf

Table of Contents Yale Forklift Manual Gdp 05

1. Understanding the eBook Yale Forklift Manual Gdp 05
 - The Rise of Digital Reading Yale Forklift Manual Gdp 05
 - Advantages of eBooks Over Traditional Books
2. Identifying Yale Forklift Manual Gdp 05
 - Exploring Different Genres
 - Considering Fiction vs. Non-Fiction
 - Determining Your Reading Goals
3. Choosing the Right eBook Platform
 - Popular eBook Platforms
 - Features to Look for in an Yale Forklift Manual Gdp 05
 - User-Friendly Interface
4. Exploring eBook Recommendations from Yale Forklift Manual Gdp 05
 - Personalized Recommendations
 - Yale Forklift Manual Gdp 05 User Reviews and Ratings
 - Yale Forklift Manual Gdp 05 and Bestseller Lists

5. Accessing Yale Forklift Manual Gdp 05 Free and Paid eBooks
 - Yale Forklift Manual Gdp 05 Public Domain eBooks
 - Yale Forklift Manual Gdp 05 eBook Subscription Services
 - Yale Forklift Manual Gdp 05 Budget-Friendly Options
6. Navigating Yale Forklift Manual Gdp 05 eBook Formats
 - ePub, PDF, MOBI, and More
 - Yale Forklift Manual Gdp 05 Compatibility with Devices
 - Yale Forklift Manual Gdp 05 Enhanced eBook Features
7. Enhancing Your Reading Experience
 - Adjustable Fonts and Text Sizes of Yale Forklift Manual Gdp 05
 - Highlighting and Note-Taking Yale Forklift Manual Gdp 05
 - Interactive Elements Yale Forklift Manual Gdp 05
8. Staying Engaged with Yale Forklift Manual Gdp 05
 - Joining Online Reading Communities
 - Participating in Virtual Book Clubs
 - Following Authors and Publishers Yale Forklift Manual Gdp 05
9. Balancing eBooks and Physical Books Yale Forklift Manual Gdp 05
 - Benefits of a Digital Library
 - Creating a Diverse Reading Collection Yale Forklift Manual Gdp 05
10. Overcoming Reading Challenges
 - Dealing with Digital Eye Strain
 - Minimizing Distractions
 - Managing Screen Time
11. Cultivating a Reading Routine Yale Forklift Manual Gdp 05
 - Setting Reading Goals Yale Forklift Manual Gdp 05
 - Carving Out Dedicated Reading Time
12. Sourcing Reliable Information of Yale Forklift Manual Gdp 05
 - Fact-Checking eBook Content of Yale Forklift Manual Gdp 05
 - Distinguishing Credible Sources
13. Promoting Lifelong Learning

- Utilizing eBooks for Skill Development
 - Exploring Educational eBooks
14. Embracing eBook Trends
- Integration of Multimedia Elements
 - Interactive and Gamified eBooks

Yale Forklift Manual Gdp 05 Introduction

In this digital age, the convenience of accessing information at our fingertips has become a necessity. Whether its research papers, eBooks, or user manuals, PDF files have become the preferred format for sharing and reading documents. However, the cost associated with purchasing PDF files can sometimes be a barrier for many individuals and organizations. Thankfully, there are numerous websites and platforms that allow users to download free PDF files legally. In this article, we will explore some of the best platforms to download free PDFs. One of the most popular platforms to download free PDF files is Project Gutenberg. This online library offers over 60,000 free eBooks that are in the public domain. From classic literature to historical documents, Project Gutenberg provides a wide range of PDF files that can be downloaded and enjoyed on various devices. The website is user-friendly and allows users to search for specific titles or browse through different categories. Another reliable platform for downloading Yale Forklift Manual Gdp 05 free PDF files is Open Library. With its vast collection of over 1 million eBooks, Open Library has something for every reader. The website offers a seamless experience by providing options to borrow or download PDF files. Users simply need to create a free account to access this treasure trove of knowledge. Open Library also allows users to contribute by uploading and sharing their own PDF files, making it a collaborative platform for book enthusiasts. For those interested in academic resources, there are websites dedicated to providing free PDFs of research papers and scientific articles. One such website is Academia.edu, which allows researchers and scholars to share their work with a global audience. Users can download PDF files of research papers, theses, and dissertations covering a wide range of subjects. Academia.edu also provides a platform for discussions and networking within the academic community. When it comes to downloading Yale Forklift Manual Gdp 05 free PDF files of magazines, brochures, and catalogs, Issuu is a popular choice. This digital publishing platform hosts a vast collection of publications from around the world. Users can search for specific titles or explore various categories and genres. Issuu offers a seamless reading experience with its user-friendly interface and allows users to download PDF files for offline reading. Apart from dedicated platforms, search engines also play a crucial role in finding free PDF files. Google, for instance, has an advanced search feature that allows users to filter results by file type. By specifying the file type as "PDF," users can find websites that offer free PDF downloads on a specific topic. While downloading Yale Forklift Manual Gdp 05 free PDF files is convenient, its

important to note that copyright laws must be respected. Always ensure that the PDF files you download are legally available for free. Many authors and publishers voluntarily provide free PDF versions of their work, but it's essential to be cautious and verify the authenticity of the source before downloading Yale Forklift Manual Gdp 05. In conclusion, the internet offers numerous platforms and websites that allow users to download free PDF files legally. Whether it's classic literature, research papers, or magazines, there is something for everyone. The platforms mentioned in this article, such as Project Gutenberg, Open Library, Academia.edu, and Issuu, provide access to a vast collection of PDF files. However, users should always be cautious and verify the legality of the source before downloading Yale Forklift Manual Gdp 05 any PDF files. With these platforms, the world of PDF downloads is just a click away.

FAQs About Yale Forklift Manual Gdp 05 Books

1. Where can I buy Yale Forklift Manual Gdp 05 books? Bookstores: Physical bookstores like Barnes & Noble, Waterstones, and independent local stores. Online Retailers: Amazon, Book Depository, and various online bookstores offer a wide range of books in physical and digital formats.
2. What are the different book formats available? Hardcover: Sturdy and durable, usually more expensive. Paperback: Cheaper, lighter, and more portable than hardcovers. E-books: Digital books available for e-readers like Kindle or software like Apple Books, Kindle, and Google Play Books.
3. How do I choose a Yale Forklift Manual Gdp 05 book to read? Genres: Consider the genre you enjoy (fiction, non-fiction, mystery, sci-fi, etc.). Recommendations: Ask friends, join book clubs, or explore online reviews and recommendations. Author: If you like a particular author, you might enjoy more of their work.
4. How do I take care of Yale Forklift Manual Gdp 05 books? Storage: Keep them away from direct sunlight and in a dry environment. Handling: Avoid folding pages, use bookmarks, and handle them with clean hands. Cleaning: Gently dust the covers and pages occasionally.
5. Can I borrow books without buying them? Public Libraries: Local libraries offer a wide range of books for borrowing. Book Swaps: Community book exchanges or online platforms where people exchange books.
6. How can I track my reading progress or manage my book collection? Book Tracking Apps: Goodreads, LibraryThing, and Book Catalogue are popular apps for tracking your reading progress and managing book collections. Spreadsheets: You can create your own spreadsheet to track books read, ratings, and other details.
7. What are Yale Forklift Manual Gdp 05 audiobooks, and where can I find them? Audiobooks: Audio recordings of books,

perfect for listening while commuting or multitasking. Platforms: Audible, LibriVox, and Google Play Books offer a wide selection of audiobooks.

8. How do I support authors or the book industry? Buy Books: Purchase books from authors or independent bookstores. Reviews: Leave reviews on platforms like Goodreads or Amazon. Promotion: Share your favorite books on social media or recommend them to friends.
9. Are there book clubs or reading communities I can join? Local Clubs: Check for local book clubs in libraries or community centers. Online Communities: Platforms like Goodreads have virtual book clubs and discussion groups.
10. Can I read Yale Forklift Manual Gdp 05 books for free? Public Domain Books: Many classic books are available for free as they're in the public domain. Free E-books: Some websites offer free e-books legally, like Project Gutenberg or Open Library.

Find Yale Forklift Manual Gdp 05 :

[volkswagen sharan workshop manual](#)

[vocabulary spelling success 4th edition](#)

[vocabulario a level 2 pp 198 202 answers](#)

[vizio xru9m manual codes](#)

[volkswagen passat official factory repair manual 1995 1997 b5](#)

vocabulary words all fifth graders should know

volkswagen jetta golf vr6 tdi full service repair manual 1993 1999

[voices manual 0 360kb sknote](#)

vizio vx371 hdtv10a manual

vocabulary workshop enriched edition level e answer key

volkswagen jetta mk2 1983 1992 service repair manual

volkswagen karmann ghia full service repair manual 1970 1974

volkswagen touareg service manual

volkswagen scirocco1 4 service manual

vocabulary practice continued answer sheet

Yale Forklift Manual Gdp 05 :

[are strain rate effects automatically considered in abaqus](#) - Mar 22 2022

web i m using abaqus to perform a dynamic explicit analysis and i would like to know if strain rate effects in the material behavior are automatically considered by the software my model

entering strain rate dependent data massachusetts institute of - Oct 09 2023

web toggle on use strain rate dependent data in the material editor a column labeled rate appears in the tabular data area fill in each row with the appropriate values for special table editing options or to read data from an ascii file press mouse button 3 for more information see entering tabular data

concrete damaged plasticity massachusetts institute of - Apr 22 2022

web the concrete damaged plasticity model can be regularized in abaqus standard using viscoplasticity by permitting stresses to be outside of the yield surface we use a generalization of the duvaut lions regularization according to which the viscoplastic strain rate tensor $\dot{\epsilon}_v$ is defined as

18 2 3 rate dependent yield washington university in st louis - Feb 01 2023

web abaqus cae usage use one of the following models property module material editor hardening isotropicuse strain rate dependent data drucker prager drucker prager hardening use strain rate dependent data cyclic hardening is not supported in

strain rate dependent material data dassault abaqus fea - May 24 2022

web apr 26 2007 thread 799 185323 vulstein civil environmental op 26 apr 07 05 51 i want to define a material 316l stainless steel with strain rate dependent data in abaqus i toggle on the use strain rate dependent data in the material editor of abaqus cad the problem is how to enter the data in the tabular data area

rate dependent massachusetts institute of technology - Jun 05 2023

web abaqus cae property module optional parameters dependencies in an abaqus explicit analysis this parameter is relevant only for type power law or type yield ratio set this parameter equal to the number of field variable dependencies in the definition of material parameters in addition to temperature

how to define a strain rate dependent pressure amplitude in abaqus - Jun 24 2022

web mar 5 2015 given you have a target strain rate on a defined element set the pressure will be calculated in order that the maximum strain rate on this element set is always between 0.7 and 1.5

strain rate dependent material abaqus researchgate - Sep 08 2023

web strain rate dependent material abaqus concrete damage plasticity hello everybody can anyone please help me to resolve the following problem i am trying to obtain the structural response

12 6 3 entering strain rate dependent data washington - Jul 06 2023

web abaqus cae user s manual 12 6 3 entering strain rate dependent data if your material includes strain rate dependence you can enter data to define how material properties vary with strain rate to enter strain rate dependent data toggle on use strain rate dependent data in the material editor

[7 8 evaluation of strain rate dependent data in abaqus explicit](#) - May 04 2023

web to overcome this problem abaqus explicit computes the equivalent plastic strain rate used for the evaluation of strain rate dependent data in terms of a factor that facilitates filtering the high frequency oscillations you can specify the value of the strain rate factor

rate dependent yield massachusetts institute of technology - Aug 07 2023

web strain rate dependence can be defined by entering hardening curves at different strain rates directly or by defining yield stress ratios to specify the rate dependence independently direct entry of test data

[rate dependent plasticity creep and swelling](#) - Dec 31 2022

web input file usage use the following options to include creep behavior in the material model definition material creep use the following options to define creep in conjunction with gasket behavior gasket behavior creep abaqus cae usage property module material editor mechanicalplasticitycreep choosing a creep model

[strain rate in abaqus researchgate](#) - Oct 29 2022

web the strain rate can be defined by creating a variable in a subroutine and assigning it to the desired strain rate value but in order to be better able to answer i need you to explain more

2 2 10 rate dependent plasticity in abaqus standard - Nov 29 2022

web young s modulus $200 \cdot 10^3$ the rate dependence parameters are as follows for the test that verifies the temperature dependencies the power law is entered as a piecewise linear relationship for the cases in which rate dependent test data are specified directly the units are not important

how does abaqus implement the plastic strain rate - Jul 26 2022

web i have a simple question regarding implementation of rate dependent yield in the plasticity module of abaqus for the rate dependent plasticity the flow stress σ has been defined the

rate dependent washington university in st louis - Feb 18 2022

web if this parameter is omitted it is assumed that the rate dependent material behavior depends only on temperature see specifying field variable dependence in material data definition section 16 1 2 of the abaqus analysis user s manual for more information

[strain rate dependent component based connection modelling for use](#) - Sep 27 2022

web oct 1 2013 this paper introduces the use of rate dependent springs to component based joint models this allows strain

rate hardening as well as strain rate induced reductions in ductility to be included in component spring models for **material data definition massachusetts institute of technology** - Apr 03 2023

web abaqus cae usage property module material editor name use the menu bar under the material options list to add behaviors to a material large strain considerations when giving material properties for finite strain calculations stress means true cauchy stress force per current area and strain means logarithmic strain

defining rate dependent yield with yield stress ratios - Mar 02 2023

web abaqus allows you to define a material s yield behavior accurately when the yield strength depends on the rate of straining and the anticipated strain rates are significant you can define strain rate dependence in two ways enter hardening curves at different strain rates directly as described in the following sections

modelling time dependent behavior of buried polyethylene pipes using abaqus - Aug 27 2022

web constant strain rates ranging from 10⁻⁵ s to 10⁻¹ s these strain rate dependent stress strain relations are used in the input file and were simulated using fe modelling using abaqus same size of the specimen i e 12.7 mm diameter and 25.4 mm height is modelled in the fe analysis figure 1 shows the fe mesh developed both

malleus maleficarum el martillo de las brujas semantic scholar - Oct 05 2022

web la ilustración y el iluminismo del siglo de las luces fueron un verdadero icono de las ideas libertarias pero mucho antes el hombre desde que ha querido librarse de opresiones ha respondido al sometimiento rechazando el yugo

malleus maleficarum el martillo de las brujas fder - Feb 09 2023

web oct 14 2016 la ilustración y el iluminismo del siglo de las luces fueron un verdadero icono de las ideas libertarias pero mucho antes el hombre desde que ha querido librarse de opresiones ha respondido al sometimiento rechazando el yugo

el malleus maleficarum destino y tarot - Feb 26 2022

web el malleus maleficarum que en del latín se traduce martillo de las brujas es el tratado más importante sobre brujas y demonios el cual se publicó en plena época de persecución de brujas en el renacimiento siglos xv y xvi es considerado un tratado de ciencias ocultas y utilizado con mucho rigor en la caza de brujas en aquella época el malleus

el martillo de las brujas completo m e t academia edu - Aug 15 2023

web el más famoso de todas los libros sobre brujería malleus maleficarum el martillo de los brujas fue escrito en 1486 por dos monjes dominicos inquisidores a los que el papa inocencio viii concedió la bula summis desiderantes affectibus a través de

malleus maleficarum el martillo de las brujas pensamiento penal - Jun 01 2022

web malleus maleficarum el martillo de las brujas por heinrich kramer por jacobus sprenger malleus descargar archivo comentar Último momento twitter tweets by pensapenal la revista pensamiento penal es una publicación online periódica de

la asociación pensamiento penal issn 1853 4554

malleus maleficarum el martillo de los brujos librerías gandhi - Sep 04 2022

web inquisidores de pura cepa al nivel del mismísimo torquemada estos dos monjes dominicos legaron para la posteridad el reflejo de una larga época oscura que dejó un tendal de miedo y sangre de dolor e injusticia tanto en europa como en los territorios pendientes y dependientes de ella

heinrich kramer jacobus sprenger malleus maleficarum - Aug 03 2022

web malleus maleficarum el martillo de los brujos traducción floreal maza 2 3 prologo el más famoso de todas los libros sobre brujería malleus maleficarum el martillo de los brujos fue escrito en 1486 por dos monjes dominicos

malleus maleficarum el martillo de los brujos spa download only - Apr 11 2023

web malleus maleficarum el martillo de los brujos spa book 4 mar 31 2021 2011 reprint of 1913 edition illustrated edition aleister crowley 1875 1947 born edward alexander crowley and also known as both frater perdurabo and the great beast was an influential english occultist mystic and ceremonial magician responsible for founding the

malleus maleficarum el martillo de los brujos goodreads - Mar 10 2023

web malleus maleficarum el martillo de los brujos heinrich kramer jacobus sprenger osvaldo tangir estudio preliminar 3 20 2 350 ratings 319 reviews el más famoso de todos los libros sobre brujería fue escrito en 1486 por dos monjes dominicos

malleus maleficarum la biblia de los cazadores de brujas - Jul 14 2023

web jul 31 2023 manual para cazar brujas en realidad el malleus maleficarum contenía una gran cantidad de material reciclado de libros de demonología tratados inquisitoriales e incluso supersticiones orales como la capacidad de las brujas para volar siendo esta una de las razones principales por las que muchos teólogos lo criticaron por ser poco

el martillo de los brujos malleus maleficarum sobre leyendas - Jan 28 2022

web oct 5 2008 javier gomez pocos libros pueden ser considerados más infames dañinos y mezquinos que éste del que hoy os hablamos el malleus maleficarum el conocido como el martillo de los brujos su lectura produce en primer lugar

incredulidad luego espanto indignación y pena

malleus maleficarum wikipeidi - Dec 07 2022

web malleus maleficarum ing hexenhammer ya da hammer of witches türkçedeki ismiyle cadı Çekici 1486 yılında dominikan tarikati rahibi heinrich kramer institoris tarafından yazılmış demonoloji literatürünün en ünlü kitabı 1519 tarihli nürnberg baskısında kitabın yazarları heinrich kramer ve jacob sprenger olarak verilmesine rağmen yapılan son

malleus maleficarum el martillo de los brujos spa pdf - Jul 02 2022

web malleus maleficarum el martillo de los brujos spa cloacas de la historia las fifteenth century studies vol 32 malleus maleficarum fifteenth century studies malleus maleficarum o el martillo de los brujos exorcismos no exorcismo si martillo de

las brujas para golpear a las brujas con poderosa maza mitología

pdf malleus maleficarum el martillo de los brujos spa - Dec 27 2021

web malleus maleficarum o el martillo de los brujos aug 04 2022 martillo de las brujas para golpear a las brujas con poderosa maza mar 11 2023 feneis nomenclatura anatómica ilustrada feb 27 2022 memoria mar 19 2021 terapia acupuntural con el martillo de siete puntas jun 02 2022 se describe la terapia con el

[malleus maleficarum türk teşvik dergisi](#) - Nov 06 2022

web engizisyonun incili ve avrupa da dini yozlaşmışlığın rehberi malleus maleficarum namıdiğer fenalık edenler Çekici cadılar Çekici veya Şeytan Çekici heinrich kramer ve james sprenger adlı iki rahip tarafından yazılan bu korkunç eser uzun yıllar neredeyse 300 yıl avrupa da kelimenin tam anlamıyla terör estirmiş ve

malleus maleficarum el martillo de las brujas youtube - Mar 30 2022

web el malleus maleficarum o martillo de las brujas es probablemente el libro más importante que se haya publicado en el contexto de la caza de brujas en santa i

malleus maleficarum wikipedia la enciclopedia libre - May 12 2023

web el malleus maleficarum del latín martillo de las brujas es probablemente el tratado más importante que se haya publicado en el contexto de la persecución de brujas en el renacimiento cita requerida fue escrito y compilado por dos monjes dominicos alemanes heinrich kramer y jacob sprenger

malleus maleficarum el martillo de los brujos más literatura - Apr 30 2022

web malleus maleficarum el libro contra la brujería más literatura brujería hechicería

malleus maleficarum el martillo de los brujos google books - Jun 13 2023

web sep 6 2020 malleus maleficarum el martillo de los brujos malleus maleficarum heinrich kramer jacobus sprenger editorial verbum sep 6 2020 literary collections 132 pages

[malleus maleficarum martillo de las brujas academia edu](#) - Jan 08 2023

web el presente trabajo versa acerca de la magnífica novela de luis de castresana retrato de una bruja editada en 1970 pero que centra su atención en un caso de brujería del siglo xvii poco después del auto de fe de logroño de 1610

iata cargo handling course introductory lagos - Jan 28 2022

web you ll get to know basic iata rules and procedures for cargo operations of freight forwarders and airline cargo divisions and much more what you will learn guide clients on the iata rules and procedures for air freight shipments arrange air cargo shipments in accordance with iata rules and procedures

cargo introductory course iata course airline studies - Aug 03 2022

web nov 18 2021 with over 52 million tons of cargo shipped annually the air cargo industry is the place to be prepare

yourself to work in the industry with this comprehensive course you will learn about basic iata cargo rules and procedures how freight forwarders and airline cargo units operate plus much more

iata cargo introductory course in association with iata lgm - Dec 07 2022

web embry riddle aeronautical university s erau iata cargo introduction part of a joint logistics and supply chain management certificate with the international air transportation association iata provides a broad understanding of cargo agency and airline operations

iata cargo introductory course blue ocean academy - Sep 04 2022

web iata cargo introductory course is designed to teach iata cargo rules and procedures how freight forwarders and airline cargo units operate plus much more with over 52 million tons of cargo shipped annually the air cargo industry is the place to work for prepare yourself to work in the air cargo industry with this comprehensive course

[iata cargo introductory course](#) - Jun 01 2022

web iata cargo introductory course about this course will learn you about basic rules and procedures how freight forwarders and airline cargo units operate plus much more the course requires according to iatas 160 200 hours of self studies which ends with an mandatory 3 hours final exam

iata cargo introductory course aviation and airline training - Feb 26 2022

web with over 52 million tons of cargo shipped annually the air cargo industry is the place to be prepare yourself to work in the industry with this comprehensive course you will learn about basic iata cargo rules and procedures how freight forwarders and airline cargo units operate plus much more

iata iata cargo introductory course pdf cargo transport - Oct 05 2022

web of 1 iata cargo introductory course description develop a solid foundation for your cargo career by learning the fundamentals of cargo skills and procedures course details available as distance learning course duration 160 200 hours for course plus 3 5 hours for exam recommended level entry level and professional prerequisites none

iata cargo introductory course at elysiumhr iata training - Jan 08 2023

web with over 52 million tons of cargo shipped annually the air cargo industry is the place to be prepare yourself to work in the industry with this comprehensive course you will learn about basic iata cargo rules and procedures how freight forwarders and airline cargo units operate plus much more

cargo introductory course eife e learning - Feb 09 2023

web prepare yourself to work in the industry with this comprehensive course you will learn about basic iata cargo rules and procedures how freight forwarders and airline cargo units operate plus much more this course is mandated for iata cargo agents in accordance with the iata cargo agency resolutions course format

iata cargo digital training - Mar 10 2023

web learn the requirements of the healthcare industry for an air cargo logistics service provider to become a player in the pharmaceutical logistics market review packaging requirements and air cargo best practices for storing accepting and handling time and temperature sensitive healthcare shipments

iata cargo introductory orient flights aviation academy - Apr 30 2022

web with over 52 million tons of cargo shipped annually the air cargo industry is the place to be prepare yourself to work in the industry with this comprehensive course you will learn about basic iata cargo rules and procedures how freight forwarders and airline cargo units operate plus much more

iata air cargo diploma self study - May 12 2023

web this diploma will give you a well rounded introduction to today s complex air cargo industry helping you get a head start in your career at an airline freight forwarder or ground handling company

iata fiata cargo introductory course mega - Dec 27 2021

web the holders of this diploma learn to obtain abilities to conclude agreements and reservations concerning international air transports knowledge of correct pricing and charges calculation for general and special cargo training for necessary counsel to the customers referring to cargo abilities for issuing air waybill according to iata s

iata air cargo fundamentals live virtual classroom - Apr 11 2023

web training courses diplomas air cargo fundamentals live virtual classroom air cargo fundamentals live virtual classroom virtual classroom did you know that in the past 3 years 78 participants from 42 countries have taken this course with iata about the course 1 day 3 hours live virtual classroom course

[iata cargo introductory course partner taught or self study](#) - Aug 15 2023

web with over 52 million tons of cargo shipped annually the air cargo industry is the place to be prepare yourself to work in the industry with this comprehensive course you will learn about basic iata cargo rules and procedures how freight forwarders and airline cargo units operate plus much more

iata cargo introductory course yourown - Jul 02 2022

web iata air cargo introductory course helps learners to identify various types of cargo identify dangerous goods cargo acceptance procedures aircraft loading procedures reading and interpreting airway bill etc this course is mandated for iata cargo agents in accordance with the iata cargo agency resolutions

iata cargo introductory course for the leadership - Jul 14 2023

web this training program combines iata s trusted cargo introductory course course with harvard managementor hmm a state of the art media rich training platform furnished by harvard business school faculty global business leaders and

practitioners in the field of leadership development

aviation cargo introductory course - Mar 30 2022

web with over 52 million tons of cargo shipped annually the air cargo industry is the place to be prepare yourself to work in the industry with this comprehensive course you will learn about basic iata cargo rules and procedures how freight forwarders and airline cargo units operate plus much more

iata cargo and logistics courses - Jun 13 2023

web iata cargo dgr courses are based on the latest iata manuals which stipulate the latest rules and regulations that have come into effect join the more than 12 900 people who have upskilled their level of competency with iata s cargo and logistics courses over the past 3 years

iata basic cargo introductory programme gmr - Nov 06 2022

web iata basic cargo introductory programme prepare yourself to work in the cargo industry with this comprehensive course which will help you learn about basic iata cargo rules and procedures operation of freight forwarders