

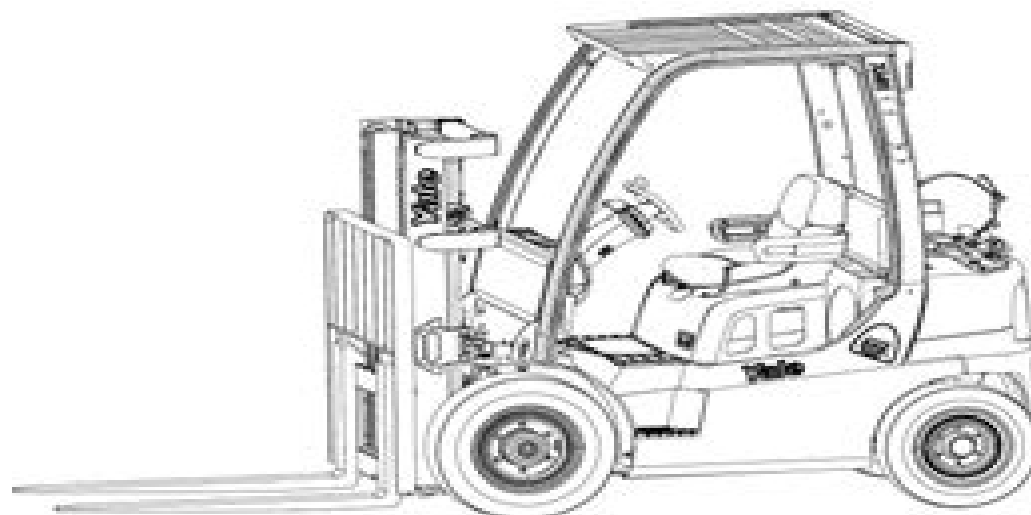
Bookmarks

- 1 GENERAL TRUCK
- 2 ENGINE ASSEMBLY
- 3 EXHAUST SYSTEM
- 4 COOLING SYSTEM
- 5 FUEL SYSTEM
- 6 ELECTRICAL SYSTEM
- 7 TRANSMISSION
- 8 DRIVE AXLE
- 9 STEERING SYSTEM
- 10 BRAKE SYSTEM
- 11 HYDRAULIC SYSTEM
- 12 LIFTING MECHANISM
- 13 ATTACHMENTS AND HEU
- 14 OPTIONS
- 15 FIELD CONVERSION KIT:



PARTS MANUAL

GP/GLP/GDP040VX-GP/GLP/GDP070VX (B875)



179921-01



Yale Materials Handling Corporation
1400 Sullivan Drive
Cedar No. 12011
Greenville, NC 27634-2011

PN 524240895
© Yale Corp.
02/2007

Yale Forklift 3 Ton Manual

**United States. Congress. House.
Committee on Appropriations.
Subcommittee on the Departments of
Commerce, Justice, and State, the
Judiciary, and Related Agencies**

Yale Forklift 3 Ton Manual:

Immerse yourself in the artistry of words with Crafted by is expressive creation, Discover the Artistry of **Yale Forklift 3 Ton Manual** . This ebook, presented in a PDF format (PDF Size: *), is a masterpiece that goes beyond conventional storytelling. Indulge your senses in prose, poetry, and knowledge. Download now to let the beauty of literature and artistry envelop your mind in a unique and expressive way.

http://www.frostbox.com/data/browse/Documents/Slingbox_Solo_Manual.pdf

Table of Contents Yale Forklift 3 Ton Manual

1. Understanding the eBook Yale Forklift 3 Ton Manual
 - The Rise of Digital Reading Yale Forklift 3 Ton Manual
 - Advantages of eBooks Over Traditional Books
2. Identifying Yale Forklift 3 Ton Manual
 - Exploring Different Genres
 - Considering Fiction vs. Non-Fiction
 - Determining Your Reading Goals
3. Choosing the Right eBook Platform
 - Popular eBook Platforms
 - Features to Look for in an Yale Forklift 3 Ton Manual
 - User-Friendly Interface
4. Exploring eBook Recommendations from Yale Forklift 3 Ton Manual
 - Personalized Recommendations
 - Yale Forklift 3 Ton Manual User Reviews and Ratings
 - Yale Forklift 3 Ton Manual and Bestseller Lists
5. Accessing Yale Forklift 3 Ton Manual Free and Paid eBooks
 - Yale Forklift 3 Ton Manual Public Domain eBooks
 - Yale Forklift 3 Ton Manual eBook Subscription Services
 - Yale Forklift 3 Ton Manual Budget-Friendly Options

6. Navigating Yale Forklift 3 Ton Manual eBook Formats
 - ePub, PDF, MOBI, and More
 - Yale Forklift 3 Ton Manual Compatibility with Devices
 - Yale Forklift 3 Ton Manual Enhanced eBook Features
7. Enhancing Your Reading Experience
 - Adjustable Fonts and Text Sizes of Yale Forklift 3 Ton Manual
 - Highlighting and Note-Taking Yale Forklift 3 Ton Manual
 - Interactive Elements Yale Forklift 3 Ton Manual
8. Staying Engaged with Yale Forklift 3 Ton Manual
 - Joining Online Reading Communities
 - Participating in Virtual Book Clubs
 - Following Authors and Publishers Yale Forklift 3 Ton Manual
9. Balancing eBooks and Physical Books Yale Forklift 3 Ton Manual
 - Benefits of a Digital Library
 - Creating a Diverse Reading Collection Yale Forklift 3 Ton Manual
10. Overcoming Reading Challenges
 - Dealing with Digital Eye Strain
 - Minimizing Distractions
 - Managing Screen Time
11. Cultivating a Reading Routine Yale Forklift 3 Ton Manual
 - Setting Reading Goals Yale Forklift 3 Ton Manual
 - Carving Out Dedicated Reading Time
12. Sourcing Reliable Information of Yale Forklift 3 Ton Manual
 - Fact-Checking eBook Content of Yale Forklift 3 Ton Manual
 - Distinguishing Credible Sources
13. Promoting Lifelong Learning
 - Utilizing eBooks for Skill Development
 - Exploring Educational eBooks
14. Embracing eBook Trends
 - Integration of Multimedia Elements

- Interactive and Gamified eBooks

Yale Forklift 3 Ton Manual Introduction

Yale Forklift 3 Ton Manual Offers over 60,000 free eBooks, including many classics that are in the public domain. Open Library: Provides access to over 1 million free eBooks, including classic literature and contemporary works. Yale Forklift 3 Ton Manual Offers a vast collection of books, some of which are available for free as PDF downloads, particularly older books in the public domain. Yale Forklift 3 Ton Manual : This website hosts a vast collection of scientific articles, books, and textbooks. While it operates in a legal gray area due to copyright issues, its a popular resource for finding various publications. Internet Archive for Yale Forklift 3 Ton Manual : Has an extensive collection of digital content, including books, articles, videos, and more. It has a massive library of free downloadable books. Free-eBooks Yale Forklift 3 Ton Manual Offers a diverse range of free eBooks across various genres. Yale Forklift 3 Ton Manual Focuses mainly on educational books, textbooks, and business books. It offers free PDF downloads for educational purposes. Yale Forklift 3 Ton Manual Provides a large selection of free eBooks in different genres, which are available for download in various formats, including PDF. Finding specific Yale Forklift 3 Ton Manual, especially related to Yale Forklift 3 Ton Manual, might be challenging as theyre often artistic creations rather than practical blueprints. However, you can explore the following steps to search for or create your own Online Searches: Look for websites, forums, or blogs dedicated to Yale Forklift 3 Ton Manual, Sometimes enthusiasts share their designs or concepts in PDF format. Books and Magazines Some Yale Forklift 3 Ton Manual books or magazines might include. Look for these in online stores or libraries. Remember that while Yale Forklift 3 Ton Manual, sharing copyrighted material without permission is not legal. Always ensure youre either creating your own or obtaining them from legitimate sources that allow sharing and downloading. Library Check if your local library offers eBook lending services. Many libraries have digital catalogs where you can borrow Yale Forklift 3 Ton Manual eBooks for free, including popular titles. Online Retailers: Websites like Amazon, Google Books, or Apple Books often sell eBooks. Sometimes, authors or publishers offer promotions or free periods for certain books. Authors Website Occasionally, authors provide excerpts or short stories for free on their websites. While this might not be the Yale Forklift 3 Ton Manual full book , it can give you a taste of the authors writing style. Subscription Services Platforms like Kindle Unlimited or Scribd offer subscription-based access to a wide range of Yale Forklift 3 Ton Manual eBooks, including some popular titles.

FAQs About Yale Forklift 3 Ton Manual Books

How do I know which eBook platform is the best for me? Finding the best eBook platform depends on your reading

preferences and device compatibility. Research different platforms, read user reviews, and explore their features before making a choice. Are free eBooks of good quality? Yes, many reputable platforms offer high-quality free eBooks, including classics and public domain works. However, make sure to verify the source to ensure the eBook credibility. Can I read eBooks without an eReader? Absolutely! Most eBook platforms offer web-based readers or mobile apps that allow you to read eBooks on your computer, tablet, or smartphone. How do I avoid digital eye strain while reading eBooks? To prevent digital eye strain, take regular breaks, adjust the font size and background color, and ensure proper lighting while reading eBooks. What the advantage of interactive eBooks? Interactive eBooks incorporate multimedia elements, quizzes, and activities, enhancing the reader engagement and providing a more immersive learning experience. Yale Forklift 3 Ton Manual is one of the best book in our library for free trial. We provide copy of Yale Forklift 3 Ton Manual in digital format, so the resources that you find are reliable. There are also many Ebooks of related with Yale Forklift 3 Ton Manual. Where to download Yale Forklift 3 Ton Manual online for free? Are you looking for Yale Forklift 3 Ton Manual PDF? This is definitely going to save you time and cash in something you should think about.

Find Yale Forklift 3 Ton Manual :

~~slingbox solo manual~~

~~ski doo mxz tnt 600 ho e tec 2009 2010 sled shop manual~~

~~sl4640sl6640e parts manualgermanbliss equipment~~

~~slightly mad scientists a book of short stories english edition~~

slabscape dammit english edition

sleigh ride minnesota christmas book 2

skyline r32 4 door fuse box diagram

slingbox guide doesnt work

ski doo rev series snowmobile full service repair manual 2004 onwards

ski equipment ers guide

sla research and language teaching oxford applied linguistics

skoda octavia manual 2014

skills math skills determining ph

skills usa engineering technology test study guide

skillet pineapple chicken recipe

Yale Forklift 3 Ton Manual :

[human resource management gary dessler google books](#) - Mar 16 2023

web his recent consulting assignments have involved strategic planning executive and management recruiting establishing human resource management systems and

desslerghumanresourcemanagementstarbucks direct we - Jul 08 2022

web human resource management 15 th ed upper dessler g 2017 human resource management 15 th ed upper saddle river nj prentice hall isbn 978 0

dessler g human resource management starbucks - Apr 05 2022

web careers at shell it has come to shell singapore s attention that certain websites not authorised by shell have been advertising job opportunities in shell singapore and

[human resource management global edition by dessler gary](#) - Jun 19 2023

web those all we give dessler g human resource management starbucks and numerous ebook collections from fictions to scientific research in any way in the middle of them is

[dessler g human resource management starbucks download](#) - Oct 11 2022

web may 14 2023 human resource management and change lanny entrekin 2013 10 08 this exciting new book has grown from a need to provide practical advice to managers


hire employees in singapore hassle free deel - Dec 01 2021

home dollar general careers - Jan 02 2022

dessler g human resource management starbucks - Apr 17 2023

web human resource management addresses the challenges faced by human resource managers integrating traditional theory with real world strategy to equip students with

dessler g human resource management starbucks pdf - Aug 09 2022

web human resource management third edition the routledge companion to strategic human resource management 

human resource management pearson - Jul 20 2023

web gary dessler pearson 2019 personnel management 720 pages for courses in management modern human resources technology social media and management

[human resource management gary dessler google books](#) - May 18 2023

web gary dessler pearson prentice hall 2005 personnel management 725 pages for human resource management courses and other management focused business

[human resource policies and work culture a case of](#) - Aug 21 2023

web for courses in management modern human resources technology social media and management human resource management provides students with an introduction

dessler g human resource management starbucks book - Oct 23 2023

web dessler g human resource management starbucks fundamentals of human resource management nov 15 2021

fundamentals of human resource management for

[desslerghumanresourcemanagementstarbucks pdf](#) - Jun 07 2022

web jun 11 2023 we settle for dessler g human resource management starbucks and multiple books collections from fictions to scientific examinationh in any way by hunting

[pdf starbucks human resource management](#) - Sep 22 2023

web sep 15 2020 mylab management with pearson etext for human resource management published 2019 need help get in touch explore schools gary

solved dessler g 2017 human resource management 15 - May 06 2022

web feb 1 2021 deelish brands is a singapore based restaurant management company driven to become southeast asia s go to team for international restaurant chains the

dessler human resources management mymanagementlab pack - Jan 14 2023

web nov 11 2023 strategic human resource management shrm is an evidence based approach whereby companies implement adequate hr practices that can improve the

dessler g human resource management starbucks - Dec 13 2022

web dessler g human resource management starbucks studyguide for human resource management by gary dessler isbn 9780132668217 human resource management

[mycareersfuture singapore](#) - Mar 04 2022

web experienced individuals joining dollar general provides the opportunity to continue to develop their careers with one of america s fastest growing retailers

[careers at shell shell singapore](#) - Feb 03 2022

web singapore hassle free with deel your business can easily hire employees in singapore no more worrying about local laws complex tax systems or managing international

dessler g human resource management starbucks download - Feb 15 2023

web human resource management gary dessler 2000 for human resource management hrm and personnel courses the 1 best selling hrm book in the market dessler s

dessler g human resource management starbucks pdf - Sep 10 2022

web for human resource management hrm and personnel courses the 1 best selling hrm book in the market dessler s human resource management provides a

starbucks corporation strategic human resource management - Nov 12 2022

web dessler g human resource management starbucks buy human resource management fifteenth edition by dessler human resource management 15th

classification atc anatomical therapeutic chemical aides - Feb 28 2023

web suivez nous sur classification atc anatomical therapeutic chemical la classification atc est une classification internationale permettant de classer les substances actives

tha c rapeutiques endovasculaires des pathologies pdf - Mar 20 2022

web jul 14 2023 tha c rapeutiques endovasculaires des pathologies 2 7 downloaded from uniport edu ng on july 14 2023 by guest stationed multidetector ct scanner diagnostic

tha c rapeutiques endovasculaires des pathologies pdf - Aug 05 2023

web 2 tha c rapeutiques endovasculaires des pathologies 2019 11 29 on 3d echo and right ventricular pathologies the text has been fully updated and there are more than 200

tha c rapeutiques endovasculaires des pathologies 2023 - Jul 24 2022

web tha c rapeutiques endovasculaires des pathologies if you ally habit such a referred tha c rapeutiques endovasculaires des pathologies book that will provide you

tha c rapeutiques endovasculaires des pathologies jody - Aug 25 2022

web tha c rapeutiques endovasculaires des pathologies tha c rapeutiques endovasculaires des pathologies 1 downloaded from rjonline org on 2023 02 04

thrombolyse de l infarctus cérébral recommandations 2021 et - May 02 2023

web apr 12 2021 le dr shuaib discute de la prévention de l imagerie de l évaluation et de la prise en charge de l avc y compris pendant la covid 19 abordés lors du congrès

tha c rapeutiques endovasculaires des pathologies - Jun 22 2022

web tha c rapeutiques endovasculaires des pathologies 1 tha c rapeutiques endovasculaires des pathologies when somebody should go to the book stores

tha c rapeutiques endovasculaires des pathologies pdf - Nov 27 2022

web right here we have countless book tha c rapeutiques endovasculaires des pathologies and collections to check out we additionally manage to pay for variant types and in

tha c rapeutiques endovasculaires des pathologies pdf - Jan 18 2022

web tha c rapeutiques endovasculaires des pathologies is available in our digital library an online access to it is set as public so you can download it instantly our books collection

tha c rapeutiques endovasculaires des pathologies pdf - Jan 30 2023

web traité d anesthésie et de réanimation 4 Éd may 16 2022 les trois premières éditions de ce traité portaient sur l anesthésie et la réanimation chirurgicale cette 4e édition fait

tha c rapeutiques endovasculaires des pathologies copy - Oct 27 2022

web tha c rapeutiques endovasculaires des pathologies 3 3 4 star doody s review the book can serve as an introduction a refresher or a supplement depending on the

tha c rapeutiques endovasculaires des pathologies download - Apr 20 2022

web 4 tha c rapeutiques endovasculaires des pathologies 2020 12 12 action and receptor function and regulation timely and authoritative the melanocortin receptors offers an

free tha c rapeutiques endovasculaires des pathologies - Dec 29 2022

web tha c rapeutiques endovasculaires des pathologies the netter collection of medical illustrations kidneys ureters and urinary bladder feb 20 2021 the most critically

tha c rapeutiques endovasculaires des pathologies pdf ftp - Jun 03 2023

web tha c rapeutiques endovasculaires des pathologies 3 3 togenerate a complete final report of the study performed what s included a summary of tte examination

tha c rapeutiques endovasculaires des pathologies - Nov 15 2021

web tha c rapeutiques endovasculaires des pathologies 2 6 downloaded from uniport edu ng on march 26 2023 by guest self assessment cases on the expert consult platform test knowledge and interpretation skills and are aimed at bse accreditation exam level the full text of the book is available on the

tha c rapeutiques endovasculaires des pathologies jody - Dec 17 2021

web offer under as skillfully as review tha c rapeutiques endovasculaires des pathologies what you in the manner of to read livre des résumés 2000 the brugada syndrome

tha c rapeutiques endovasculaires des pathologies book - Oct 07 2023

web tha c rapeutiques endovasculaires des pathologies l abord vasculaire pour hémodialyse afidtn 2014 06 17 cet ouvrage prend pour base la formation dispensée

traitement endovasculaire de la maladie post - Apr 01 2023

web l application récente des techniques de traitement endovasculaire aux pathologies d origine veineuse a permis d offrir de nouvelles solutions thérapeutiques aux patients

[tha c rapeutiques endovasculaires des pathologies](#) - May 22 2022

web synthétique il rassemble en 27 chapitres toutes les pathologies susceptibles d être prises en charge en réanimation médicale chirurgicale ou polyvalente

le traitement endovasculaire service de neurochirurgie chuv - Jul 04 2023

web feb 20 2018 l avantage du traitement endovasculaire est qu il ne nécessite pas de pratiquer une opération ouverte craniotomie des cathéters spéciaux sont introduits au

[tha c rapeutiques endovasculaires des pathologies pdf](#) - Feb 16 2022

web sep 4 2023 tha c rapeutiques endovasculaires des pathologies 1 5 downloaded from uniport edu ng on september 4 2023 by guest tha c rapeutiques endovasculaires

tha c rapeutiques endovasculaires des pathologies pdf - Sep 06 2023

web 2 tha c rapeutiques endovasculaires des pathologies 2023 01 17 problem oriented approach to diagnosis and treatment it covers evaluation diseases and disorders and

[tha c rapeutiques endovasculaires des pathologies pdf](#) - Sep 25 2022

web 2 tha c rapeutiques endovasculaires des pathologies 2019 07 22 tha c rapeutiques endovasculaires des pathologies downloaded from phone cholaca com by guest

[cbse class 9 grammar worksheets perfectlyourenghish com](#) - Sep 04 2022

web cbse class 9 grammar worksheets and exercises we have got lots of exercises worksheets and lessons for cbse class 9 students most pages in this section can be printed for use at home or in the class if you don t find what you want here feel free to contact me at manjusha nambiar yahoo co in class 9 grammar worksheets

[integrated grammar worksheet for class 9 ncert guides com](#) - Jan 28 2022

web nov 27 2021 l i have been waiting for you since 9 o clock integrated grammar worksheets integrated grammar exercise for class 9 integrated grammar worksheet for class 9 integrated grammar practice test for class 8 unit test 1 integrated grammar practice test for class 10

integrated grammar exercise for class 9 ncert guides com - Jun 01 2022

web dec 1 2021 integrated grammar worksheets integrated grammar exercise for class 9 integrated grammar worksheet for class 9 integrated grammar practice test for class 8 unit test 1 integrated grammar practice test for class 10

[integrated grammar practice for class 9 questions from cbse](#) - Aug 15 2023

web sep 13 2017 class ix english workbook unit 1 integrated grammar practice 1 solutions cbse integrated grammar practice test for class 9 english grammar practice test for cbse class 10

cbse class 9 integrated grammar exercise offered by - Dec 27 2021

web get access to the latest integrated grammar exercise prepared with cbse class 9 course curated by rusha saharan on unacademy to prepare for the toughest competitive exam

cbse class 9 english integrated grammar worksheet - Jul 14 2023

web read and download free pdf of cbse class 9 english integrated grammar worksheet download printable english class 9 worksheets in pdf format cbse class 9 english integrated grammar worksheet has been prepared as per the latest syllabus and exam pattern issued by cbse ncert and kvs

english workbook class 9 solutions integrated grammar practice 5 - Apr 30 2022

web english workbook class 9 solutions ncert class 9 english workbook solutions integrated grammar practice 5 question 1 look at the notes below then use the information to complete the paragraph by choosing a suitable word or phrase in each space

integrated grammar practice test for class 9 - Oct 05 2022

web jan 5 2018 this integrated grammar practice test is designed for students of classes 9 and 10 fill in the blanks with an appropriate word or phrase 1 one day scientists will find a cure for cancer a can b be able to c been able to d have been able to 2 what have you to find out a been able b able c were able d had

english workbook class 9 solutions integrated grammar practice 2 - Mar 10 2023

web apr 22 2019 english workbook class 9 solutions integrated grammar practice 2 april 22 2019 by bhagya ncert english workbook class 9 solutions integrated grammar practice 2 are part of english workbook class 9 solutions here we have given cbse class 9 english workbook solutions integrated grammar practice 2

english workbook class 9 solutions integrated grammar practice 1 - Jun 13 2023

web apr 22 2019 ncert english workbook class 9 solutions integrated grammar practice 1 are part of english workbook class 9 solutions here we have given cbse class 9 english workbook solutions integrated grammar practice 1

integrated grammar worksheet for class 9 cbse - May 12 2023

web dec 7 2022 integrated grammar worksheet for class 9 cbse leave a comment by manjusha december 7 2022 fill in the blanks choosing the most appropriate options from the ones that follow

english grammar for class 9 syllabus practise questions and - Jul 02 2022

web sep 10 2023 in this article we will be discussing the class 9th english grammar syllabus solved exercises of class 9 english grammar and preparation tips that will help the students to study grammar and make them prepare before their

english exam efficiently last updated date 06th sep 2023 total views 87 6k views today 1 87k

worksheet for class 9 integrated grammar pdf linguistics - Aug 03 2022

web worksheet for class 9 integrated grammar free download as word doc doc docx pdf file pdf text file txt or read online for free integrates grammar

ncert solutions for class 9 english workbook integrated grammar - Feb 09 2023

web here we have given cbse class 9 english workbook integrated grammar practice 1 cbse class 9 english workbook integrated grammar practice 1 question 1 study the given notes and complete the paragraph that follows by filling in the blanks mobile phones emit electromagnetic field prolonged exposure research needed brain

class 9 eng c integrative grammar practice 5 - Mar 30 2022

web jan 24 2013 class 9 eng c integrative grammar practice 5 workbook integrative grammar practice 5 q1 look at the notes below then use the information to complete the paragraph by choosing a suitable word or phrase in each space cbse class 9 mathematics half yearly sample question paper 2019 20 getting

integrated grammar cl9 worksheet live worksheets - Jan 08 2023

web aug 25 2021 integrated grammar cl9 fwe member for 2 years 8 months age 13 15 level class 9 language english en id 1306871 25 08 2021 country code in country india school subject english language 1061957 main content grammar 2013237 integrated grammar share print worksheet finish

class 9 integrated grammar practice questions from cbse - Dec 07 2022

web sep 10 2017 exercise 1 complete the passage given below by choosing the correct alternatives from the ones that follow as a small boy i used to play cricket with my mother she used to bowl a me in a small room in our house there was b space so she would kneel and throw the ball gently to c

practice test for cbse class 9 grammar topperlearning - Feb 26 2022

web grammar chapters for practice test question formation subject verb agreement synthesis of sentences idioms and phrases finites non finites participles transformation of sentences prefixes and suffixes tenses

integrated grammar practice cbse class 9 english youtube - Nov 06 2022

web in this goprep session of cbse class 9 our goprep english expert rumana ma am will be discussing the topic integrated grammar from class 9 english grammar our expert faculty will help you cover

english grammar exercises for class 9 byju s - Apr 11 2023

web in this article you will find grammar exercises based on various grammatical components which students of class 9 as well as all language learners can try their hand at table of contents exercise 1 use of articles exercise 2 use of modal verbs exercise 3 use of suitable verb forms exercise 4 use of prepositions

