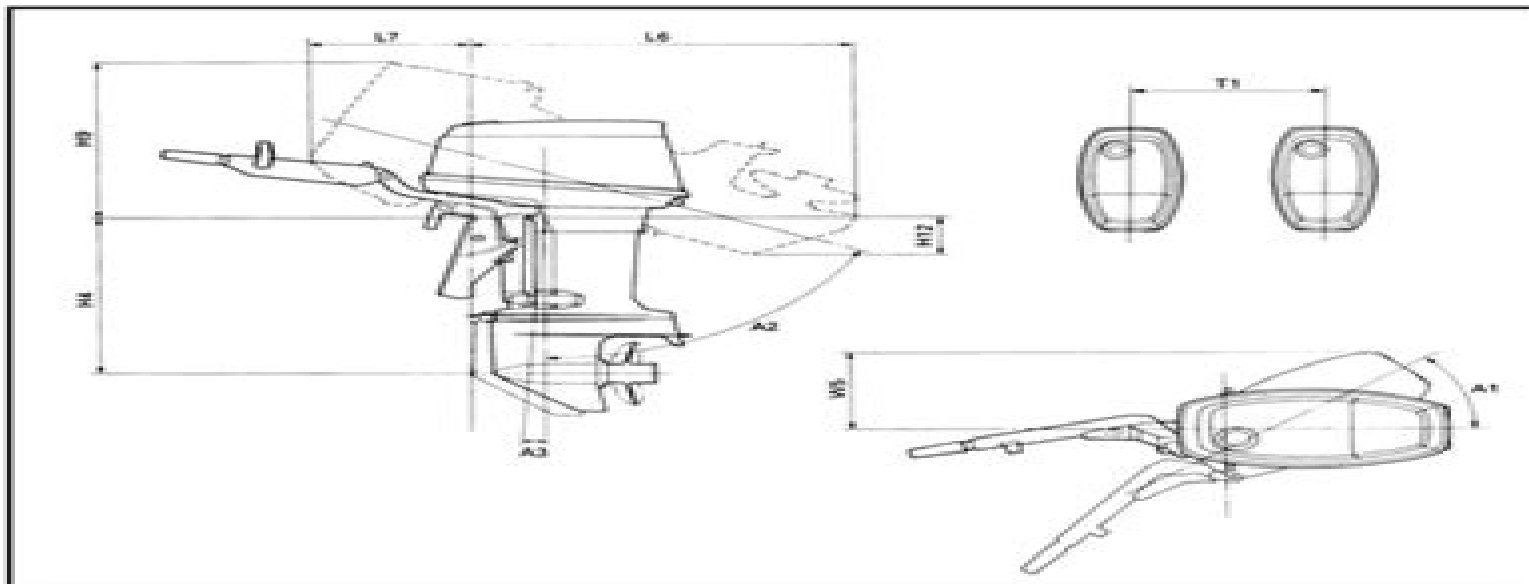




DIMENSION



Item	Unit	Model		
		50 hp	60, 70 hp	75, 80, 90 hp
L6	mm (in)	—	968 (38.1)	—
L7	mm (in)	—	968 (38.1)	—
			1,081 (42.6)	—
H4	mm (in)	—	403 (15.9)	—
			457 (18.0)	—
H9	mm (in)	—	400 (15.7)	—
			520 (20.5)	—
H12	mm (in)	—	648 (25.5)	647 (25.5)
			719 (28.3)	—
W5	mm (in)	—	706 (27.8)	730 (28.7)
			—	—
A1	degree	—	135 (5.3)	—
			205 (8.1)	203 (8.0)
A2	degree	—	264 (10.4)	—
			—	—
A3	degree	—	321 (12.6)	331 (13.0)
			—	—
T1	mm (in)	—	35	30
			63	—
T1	mm (in)	—	67, 62 <sup>*1</sup>	—
			—	—
T1	mm (in)	—	4	—
			—	—
T1	mm (in)	—	—	600 (23.6) <sup>*2</sup>
			—	—

\*1: For P60TH/60FEHTO, P75TH/75CEHTO

\*2: Except for P75TH/75CEHTO, 90AEHD

# Yamaha 80 Aeto Manual

**Chris Rogers,Jeremy Churchill,Pete  
Shoemark**

**Yamaha 80 Aeto Manual:**

**Yamaha '80 AG100G** ,1980      **Yamaha '80 IT125G** ,1980      **Yamaha Outboard Shop Manual** Editors of Haynes Manuals,2014-12-15 Yamaha 75 HP 80 HP 90 HP 100 HP 115 HP Inline 4 and 200 HP 225 HP and 250 HP 3 3L V6 Outboards manual Includes Color Wiring Diagrams Clymer Marine and PWC manuals are the 1 source for DIY maintenance troubleshooting and repair With step by step procedures combined with detailed photography and extensive use of exploded parts views Clymer manuals are a must have tool for the do it yourselfer Models Covered Yamaha 75 HP 2000 20013 Yamaha 80 HP 2000 2013 Yamaha 90 HP 2000 2013 Yamaha 100 HP 2000 2013 Yamaha 115 HP 2000 2013 Yamaha 200 HP 2000 2013 Yamaha 225 HP 2000 2013 Yamaha 250 HP 2000 2013      **Yamaha '80 IT175(G)** ,1980      **Yamaha '80 XS250SE/XS400SE, XS250SG/XS400SG** ,1980      *Yamaha DT 50 & 80 Trail Bikes Owners Workshop Manual* Chris Rogers,1983-01-01      *Yamaha T50 & 80 Townmate Owners Workshop Manual* Pete Shoemark,1991-01-01      **Yamaha RD50 & 80 Owners Workshop Manual** Jeremy Churchill,1986      *Yamaha YZ80(S) Owner's Service Manual* ,1985      **Yamaha PW80(K)** ,1982      *Yamaha TY80B* ,1974      *Yamaha GT80E* ,1977      *Yamaha YFM80N* ,1984      *Yamaha YZ80(F) Model Guide/service Manual* ,1978      **Yamaha YZ80A** Yamaha Motor Co. Service Department,1974      **Yamaha LB80IIAC Owner's Manual** ,1978      **Yamaha LB80IIHC, LB80IIAC** ,1976      *Yamaha DT50 and 80 Trail Bikes* Chris Rogers,Pete Shoemark,Jeremy Churchill,1994      *Yamaha DT50 and 80 Trail Bikes Owner's Workshop Manual* Chris Rogers,Jeremy Churchill,Pete Shoemark,1992      *Yamaha DT50 & 80 Trail Bikes Owners Workshop Manual* Chris Rogers,Pete Shoemark,Jeremy Churchill,1988

Eventually, you will agreed discover a extra experience and talent by spending more cash. still when? reach you take that you require to acquire those all needs in the manner of having significantly cash? Why dont you try to get something basic in the beginning? Thats something that will lead you to comprehend even more approximately the globe, experience, some places, in the same way as history, amusement, and a lot more?

It is your unconditionally own time to function reviewing habit. along with guides you could enjoy now is **Yamaha 80 Aeto Manual** below.

<http://www.frostbox.com/data/uploaded-files/HomePages/Zxr%20750%20Manual.pdf>

## **Table of Contents Yamaha 80 Aeto Manual**

1. Understanding the eBook Yamaha 80 Aeto Manual
  - The Rise of Digital Reading Yamaha 80 Aeto Manual
  - Advantages of eBooks Over Traditional Books
2. Identifying Yamaha 80 Aeto Manual
  - Exploring Different Genres
  - Considering Fiction vs. Non-Fiction
  - Determining Your Reading Goals
3. Choosing the Right eBook Platform
  - Popular eBook Platforms
  - Features to Look for in an Yamaha 80 Aeto Manual
  - User-Friendly Interface
4. Exploring eBook Recommendations from Yamaha 80 Aeto Manual
  - Personalized Recommendations
  - Yamaha 80 Aeto Manual User Reviews and Ratings
  - Yamaha 80 Aeto Manual and Bestseller Lists
5. Accessing Yamaha 80 Aeto Manual Free and Paid eBooks

- Yamaha 80 Aeto Manual Public Domain eBooks
  - Yamaha 80 Aeto Manual eBook Subscription Services
  - Yamaha 80 Aeto Manual Budget-Friendly Options
6. Navigating Yamaha 80 Aeto Manual eBook Formats
- ePub, PDF, MOBI, and More
  - Yamaha 80 Aeto Manual Compatibility with Devices
  - Yamaha 80 Aeto Manual Enhanced eBook Features
7. Enhancing Your Reading Experience
- Adjustable Fonts and Text Sizes of Yamaha 80 Aeto Manual
  - Highlighting and Note-Taking Yamaha 80 Aeto Manual
  - Interactive Elements Yamaha 80 Aeto Manual
8. Staying Engaged with Yamaha 80 Aeto Manual
- Joining Online Reading Communities
  - Participating in Virtual Book Clubs
  - Following Authors and Publishers Yamaha 80 Aeto Manual
9. Balancing eBooks and Physical Books Yamaha 80 Aeto Manual
- Benefits of a Digital Library
  - Creating a Diverse Reading Collection Yamaha 80 Aeto Manual
10. Overcoming Reading Challenges
- Dealing with Digital Eye Strain
  - Minimizing Distractions
  - Managing Screen Time
11. Cultivating a Reading Routine Yamaha 80 Aeto Manual
- Setting Reading Goals Yamaha 80 Aeto Manual
  - Carving Out Dedicated Reading Time
12. Sourcing Reliable Information of Yamaha 80 Aeto Manual
- Fact-Checking eBook Content of Yamaha 80 Aeto Manual
  - Distinguishing Credible Sources
13. Promoting Lifelong Learning
- Utilizing eBooks for Skill Development

- Exploring Educational eBooks
- 14. Embracing eBook Trends
  - Integration of Multimedia Elements
  - Interactive and Gamified eBooks

### **Yamaha 80 Aeto Manual Introduction**

Yamaha 80 Aeto Manual Offers over 60,000 free eBooks, including many classics that are in the public domain. Open Library: Provides access to over 1 million free eBooks, including classic literature and contemporary works. Yamaha 80 Aeto Manual Offers a vast collection of books, some of which are available for free as PDF downloads, particularly older books in the public domain. Yamaha 80 Aeto Manual : This website hosts a vast collection of scientific articles, books, and textbooks. While it operates in a legal gray area due to copyright issues, its a popular resource for finding various publications. Internet Archive for Yamaha 80 Aeto Manual : Has an extensive collection of digital content, including books, articles, videos, and more. It has a massive library of free downloadable books. Free-eBooks Yamaha 80 Aeto Manual Offers a diverse range of free eBooks across various genres. Yamaha 80 Aeto Manual Focuses mainly on educational books, textbooks, and business books. It offers free PDF downloads for educational purposes. Yamaha 80 Aeto Manual Provides a large selection of free eBooks in different genres, which are available for download in various formats, including PDF. Finding specific Yamaha 80 Aeto Manual, especially related to Yamaha 80 Aeto Manual, might be challenging as theyre often artistic creations rather than practical blueprints. However, you can explore the following steps to search for or create your own Online Searches: Look for websites, forums, or blogs dedicated to Yamaha 80 Aeto Manual, Sometimes enthusiasts share their designs or concepts in PDF format. Books and Magazines Some Yamaha 80 Aeto Manual books or magazines might include. Look for these in online stores or libraries. Remember that while Yamaha 80 Aeto Manual, sharing copyrighted material without permission is not legal. Always ensure youre either creating your own or obtaining them from legitimate sources that allow sharing and downloading. Library Check if your local library offers eBook lending services. Many libraries have digital catalogs where you can borrow Yamaha 80 Aeto Manual eBooks for free, including popular titles. Online Retailers: Websites like Amazon, Google Books, or Apple Books often sell eBooks. Sometimes, authors or publishers offer promotions or free periods for certain books. Authors Website Occasionally, authors provide excerpts or short stories for free on their websites. While this might not be the Yamaha 80 Aeto Manual full book , it can give you a taste of the authors writing style. Subscription Services Platforms like Kindle Unlimited or Scribd offer subscription-based access to a wide range of Yamaha 80 Aeto Manual eBooks, including some popular titles.

---

## FAQs About Yamaha 80 Aeto Manual Books

1. Where can I buy Yamaha 80 Aeto Manual books? Bookstores: Physical bookstores like Barnes & Noble, Waterstones, and independent local stores. Online Retailers: Amazon, Book Depository, and various online bookstores offer a wide range of books in physical and digital formats.
2. What are the different book formats available? Hardcover: Sturdy and durable, usually more expensive. Paperback: Cheaper, lighter, and more portable than hardcovers. E-books: Digital books available for e-readers like Kindle or software like Apple Books, Kindle, and Google Play Books.
3. How do I choose a Yamaha 80 Aeto Manual book to read? Genres: Consider the genre you enjoy (fiction, non-fiction, mystery, sci-fi, etc.). Recommendations: Ask friends, join book clubs, or explore online reviews and recommendations. Author: If you like a particular author, you might enjoy more of their work.
4. How do I take care of Yamaha 80 Aeto Manual books? Storage: Keep them away from direct sunlight and in a dry environment. Handling: Avoid folding pages, use bookmarks, and handle them with clean hands. Cleaning: Gently dust the covers and pages occasionally.
5. Can I borrow books without buying them? Public Libraries: Local libraries offer a wide range of books for borrowing. Book Swaps: Community book exchanges or online platforms where people exchange books.
6. How can I track my reading progress or manage my book collection? Book Tracking Apps: Goodreads, LibraryThing, and Book Catalogue are popular apps for tracking your reading progress and managing book collections. Spreadsheets: You can create your own spreadsheet to track books read, ratings, and other details.
7. What are Yamaha 80 Aeto Manual audiobooks, and where can I find them? Audiobooks: Audio recordings of books, perfect for listening while commuting or multitasking. Platforms: Audible, LibriVox, and Google Play Books offer a wide selection of audiobooks.
8. How do I support authors or the book industry? Buy Books: Purchase books from authors or independent bookstores. Reviews: Leave reviews on platforms like Goodreads or Amazon. Promotion: Share your favorite books on social media or recommend them to friends.
9. Are there book clubs or reading communities I can join? Local Clubs: Check for local book clubs in libraries or community centers. Online Communities: Platforms like Goodreads have virtual book clubs and discussion groups.
10. Can I read Yamaha 80 Aeto Manual books for free? Public Domain Books: Many classic books are available for free as they're in the public domain. Free E-books: Some websites offer free e-books legally, like Project Gutenberg or Open Library.

**Find Yamaha 80 Aeto Manual :**

[zxr 750 manual](#)

[zimsec history papernov 2014 a level pgf](#)

[zune hd user manual](#)

**zimsec science paper 2 november 2013**

[zimsec june exams timetable for 2014](#)

[zimsec ndebele o level poems 2014](#)

[zoology exam paper bsc first prsu](#)

**zica lpast papers**

[zimsec biology 5008 syllabus past exam papers](#)

**zimsec alevel economics marking schemes**

[zulu fal paper 2 memo gauteng education](#)

[zimmermans research guide lexis](#)

[zimsec november 2maths paper 2](#)

**zeventig notities over het ouder worden**

[zjc question paper of science](#)

**Yamaha 80 Aeto Manual :**

**10 mandamientos para ganar masa ruben cobo pdf** - Oct 06 2022

web tengo desbalances hormonales que me hacen no ganar masa muscular los 5 mandamientos que cambiarán tu dieta mandamiento nº1 determina si estás comiendo lo suficiente reparto de macronutrientes mandamiento nº2 cambia tu número y frecuencia de comidas directrices de alimentación esquema del reparto de comidas en un día

**los 10 mandamientos del crecimiento muscular youtube** - May 01 2022

web aprende las verdaderas claves para ganar masa muscular según la ciencia y aplícalo al momento go hotmart com c25037909f dp 1 camisetas del blackgym y

*10 mandamientos para ganar masa muscular spanish edition* - Jul 15 2023

web deja que los 10 mandamientos para ganar masa muscular sea tu guía de referencia para lograrlo escrita en un sencillo lenguaje explica conceptos sobre entrenamiento y dieta que te ayudaran a pegar ese salto de calidad necesario en tu desarrollo muscular



10 mandamientos para mujeres que quieren ganar masa muscular - Nov 07 2022

web apr 11 2020 10 mandamientos para mujeres que quieren ganar masa muscular 1 dale prioridad a lo básico 2 nutre adecuadamente tu cuerpo 3 haz menos repeticiones y levanta más peso 4 sal de tu zona de confort 5 cambia tu concepto del cardio 6 ingiere una cantidad suficiente de calorías 7 recurre a suplementos 8 no te excedas en tu

**10 mandamientos para ganar masa muscular goodreads** - Dec 08 2022

web los 10 mandamientos para ganar masa muscular son un compendio de ideas basadas en la experimentación la investigación y los resultados de más 18 años en el siempre cambiante mundo del fitness buscar un físico musculado atlético saludable y sostenible es el objetivo de muchos entusiastas del fitness que a pesar de sus buenas

**10 mandamientos para ganar masa muscular versión kindle** - Apr 12 2023

web los 10 mandamientos para ganar masa muscular son un compendio de ideas basadas en la experimentación la investigación y los resultados de más 18 años en el siempre cambiante mundo del fitness

**los 10 mandamientos para aumentar masa muscular** - Jun 02 2022

web programa completo de entrenamiento bejaranofit jumpseller com rutina full body en casa en este video te muestro los 10 mandamie

**10 mandamientos para ganar masa muscular spanish edition** - Jun 14 2023

web dec 2 2015 escrita en un sencillo lenguaje explica conceptos sobre entrenamiento y dieta que te ayudaran a pegar ese salto de calidad necesario en tu desarrollo muscular te animamos a que hagas tuyos e implementes los conceptos que son explicados en las páginas de los 10 mandamientos para ganar masa muscular y obtengas los

plan de entrenamiento para ganar músculo y masa muscular - Feb 27 2022

web quien desee ganar masa muscular deberá sobre todo realizar un entrenamiento intenso el plan de entrenamiento para ganar masa muscular es muy diferente del clásico entrenamiento para el desarrollo muscular hipertrofia o para la tonificación fundamentos del entrenamiento para ganar masa muscular

los 7 mandamientos para ganar más músculo dieta fitness men s health - Jan 29 2022

web jun 22 2020 para aumentar masa muscular necesitas entrenar pero también energía la que logramos con ayuda de los alimentos los 7 mandamientos para ganar más músculo aliméntate de forma natural

**10 mandamientos para ganar masa muscular bookswagon com** - Sep 05 2022

web searching for 10 mandamientos para ganar masa muscular books online by arturo cantarero visit bookswagon for all kinds of related books save upto 50 off free shipping cash on delivery

**los 10 mandamientos para ganar masa muscular ientrenar com** - Jan 09 2023

web may 28 2023 para ganar masa muscular es necesario seguir ciertos mandamientos que te ayudarán a lograr tus

objetivos en primer lugar es importante tener una buena dieta que contenga suficientes proteínas carbohidratos complejos y grasas saludabl

[los 10 mandamientos para ganar masa muscular entrenamiento](#) - Mar 11 2023

web apr 13 2020 no lo dudes mas da un paso adelante y empieza tu transformación adquiere los 10 mandamientos para ganar masa muscular en amazon 10 mandamientos para ganar masa muscular cobo rubén author

*10 mandamientos para ganar masa muscular by cantarero* - Jul 03 2022

web buy 10 mandamientos para ganar masa muscular by cantarero arturo fresneda ivan sanz josemi online on amazon ae at best prices fast and free shipping free returns cash on delivery available on eligible purchase

**10 consejos de nutrición para aumentar masa muscular** - Feb 10 2023

web manténlos lejos de tu dieta no comas grasas ni sal en exceso y subra ya mos en exce so ya que consu mir un poco de grasa y sal es esen cial dentro de una dieta salu da ble men te balan cea da enca mi na da a ayudar nos a aumen tar masa muscu lar las grasas buenas se encuen tran en el acei te de oliva la mante qui lla de maní y el pesca do

*10 mandamientos para ganar masa muscular kağit kapak* - May 13 2023

web 10 mandamientos para ganar masa muscular cobo rubén cantarero arturo fresneda iván amazon com tr kitap

**10 mandamientos para ganar masa muscular edición kindle** - Mar 31 2022

web 10 mandamientos para ganar masa muscular ebook cobo rubén sanz josemi cantarero arturo fresneda iván amazon com mx tienda kindle

[12 consejos infalibles para ganar más músculo entrenando men s health](#) - Aug 16 2023

web jun 18 2023 1 maximiza el desarrollo muscular cuantas más proteínas almacena tu cuerpo en un proceso llamado síntesis de proteínas más grandes crecen tus músculos pero tu cuerpo está agotando

**10 mandamientos para ganar masa muscular full pdf** - Aug 04 2022

web 10 10 10 mandamientos para ganar masa muscular 2022 02 12 moaning and crying through the whole house what shall i do to be saved oh i am going to hell etc the diary goes on to indicate that edwards had to interrupt his sermon and come down to minister to those who were under such awful conviction and so in spite of what the

*cómo ganar masa muscular rápido youtube* - Dec 28 2021

web 127 2 9k views 5 years ago como aumentar la masa muscular los 10 mandamientos en este vídeo verás 10 reglas de oro para saber como aumentar la masa muscular est

[9 ted talks recommended by students for students ted ed blog](#) - Nov 16 2021

[454 persuasive speech topics easy fun controversial ideas](#) - Jul 25 2022

web aug 14 2023 high school students generally do a lot of writing learning to use language clearly concisely and persuasively when it s time to choose an essay topic though it s  
120 fascinating essay topics for high school students - Jan 19 2022

**16 motivational speech ideas for highschool students** - Feb 17 2022

**333 informative speech topics to rock your presentation** - May 23 2022

web mar 16 2017 which ted talks do students love we asked ted ed club members around the world to share their favorites below check out 9 great talks recommended

*112 persuasive speech topics that are actually engaging* - Jan 31 2023

web oct 30 2023 transition 1 include a linking sentence that would tie your introduction to your speech s main body point 1 need for action describe the problems concerning

**100 high school debate topics to engage every student** - Dec 18 2021

high school speech topics - Apr 02 2023

web sep 13 2023 80 impromptu speech topics for high school students september 13 2023 by sananda bhattacharya could you share a few words about yourself this is one

**136 persuasive speech topics for students the advocate** - Oct 28 2022

web february 15 2023 50 persuasive speech topics for high school students in 2023 econtentsol unique topics for persuasive speech good persuasive speech topics

**180 unique and interesting speech topics for students** - Sep 07 2023

middle school speech topics for public speaking and oral writing assignments from outdoor activities to greyhound racing and rodeo riding to sports games i have brought into being several themes suggestions and see more

*160 best easy english speech topics for students* - Nov 28 2022

web high school students should do these 5 things before graduating why high school students should take a gap year before college the best healthy snacks

*370 speech writing topics for students become a* - Dec 30 2022

web nov 6 2023 on this page components of a persuasive speech persuasive speech topics for students best persuasive speech topics for high school students

**interesting persuasive speech topics for high school** - Jul 05 2023

web aug 5 2023 don t worry in this blog post we have recommended some interesting school speech topics and ideas for students of all grades also here we have

[list of persuasive speech topics for high school students](#) - Aug 26 2022

web mar 2 2018 to create our list of great motivational speech ideas for highschool students we ve relied on buzzle and best speech topics as well as our personal experience if

[speech topics in english for students persuasive speech topics](#) - Mar 21 2022

[150 interesting school speech topics for students](#) - Jun 04 2023

web jun 22 2021 in this post we re sharing how to choose the perfect persuasive speech topic and tips to prepare for your speech plus you ll find 112 persuasive speech topics

**50 persuasive speech topics for high school students in 2023** - Apr 21 2022

web mar 2 2022 as a high school student you do come across lots of situations where you display an unnerving fondness for not doing things as and when expected this ted talk

[300 interesting persuasive speech topics for students](#) - Jun 23 2022

web nov 9 2022 you ll find plenty of engaging high school debate topics in this list for inspiration each topic includes a link to an article from a reliable source that provides

**100 persuasive speech topics for students thoughtco** - Aug 06 2023

elementary school speech topics on animal keeping favorite things to do at home or the playground and specific hints that lead to see more

[224 school speech topics for all grades high school](#) - Oct 08 2023

high school speech topics and themes for verbal speeches such as tropicana speeches writing assignments and essays from strange experiences in bars to europe in seven days we re to help 1 girls are under more pressure in high school 2 schools must not sell unhealthy foods 3 cyberbullies see more

**270 engaging school speech topics for students to consider** - May 03 2023

web oct 12 2023 are you looking for persuasive speech topics to assign to your students don t worry we have you covered check out our list of 136 persuasive speech topics

*80 impromptu speech topics for high school students* - Sep 26 2022

web in this article we have listed out numerous important speech topics from various categories for special occasions on prominent leaders motivational persuasive speech

*interesting persuasive speech topics a list for high* - Mar 01 2023

web mar 26 2018 what kind of field trip is better what kind of knowledge and experience can students receive why do students need to do well in school and in exams you can

**7 inspiring ted talks for high school students thehighschooler** - Oct 16 2021

season s greetings from the white house book 8th edition - Jul 20 2023

web nov 18 2018 season s greetings from the white house includes more than 200 historical photos and reproductions artfully decorating its 352 pages not to be missed are the

season s greetings from the white house open library - Jun 07 2022

web dec 10 2022 this year white house christmas includes more than 83 600 holiday lights 25 wreaths and 77 christmas trees as over 50 000 visitors visit the white house during

**press release first lady jill biden to unveil the 2023 white** - Jan 14 2023

web nov 20 2023 the more than 18 foot fraser fir tree from cline church nursery in fleetwood will stand in the center of the blue room greeting around 50 000 guests of

**mary evans seeley season s greetings from the white house** - Feb 15 2023

web jan 1 2007 season s greetings from the white house the collection of presidential christmas cards messages and gifts seeley mary evans on amazon com free

season s greetings from the white house the collection of - Dec 13 2022

web word play greetings from the other side will make you smile cry open your heart look at things differently heal and grow season s greetings from the white house sep 14

**season s greetings from the white house the collections of** - Mar 04 2022

web dec 2 2014 season s greetings from the white house the collection of presidential christmas cards messages and gifts updated with obama family cards messages

**season s greetings from the white house archives** - Oct 23 2023

web season s greetings from the white house is far more than a documentation of christmas cards and messages mary seeley s extensive research enables her to share the human

**season s greetings from the white house open library** - Jul 08 2022

web 224 pages 29 cm

**white house holidays** - Sep 22 2023

web aug 10 1996 4 18 17 ratings5 reviews season s greetings from the white house 2018 documents nearly a century of presidential christmas cards messages and gifts from

*season s greetings from the white house open library* - Feb 03 2022

web dec 1 2022 listen to seasons greeting vol 2 single by the white house connection on apple music stream songs including no room at the inn and sleigh ride album

**season s greetings from the white house the collection of** - Jan 02 2022

web aug 2 2022 white house washington d c christmas united states americana washington d c presidents united states history washington d c social life

**season s greetings from the white house the collection of** - Sep 10 2022

web season s greetings from the white house by mary evans seeley august 2002 presidential christmas edition hardcover in english 4 edition

**season s greetings from the white house 8th edition** - Jun 19 2023

web nov 5 2019 her book season s greetings from the white house is now in its eighth edition it tells the stories of christmas at the white house from calvin coolidge through

[season s greetings from the white house hardcover amazon com](#) - Sep 29 2021

[north carolina sends christmas tree to white house and will](#) - Nov 12 2022

web season s greetings from the white house the collection of presidential christmas cards messages and gifts seeley mary e amazon sg books

[what time will white house christmas 2022 air on hgtv](#) - Apr 05 2022

web season s greetings from the white house by mary evans seeley 1998 presidential christmas edition in english

**free seasons greetings from the white house** - Oct 11 2022

web nov 20 2023 the official white house christmas tree has arrived just in time for the holiday season hours after the president pardoned two turkeys on a day full of time

*season s greetings from the white house nixon library* - Mar 16 2023

web nov 21 2023 on monday november 27th 2023 the first lady will unveil this year s white house holiday theme and seasonal décor as part of her joining forces initiative

*jill biden receives the magnificent white house christmas tree* - Aug 09 2022

web jan 1 1996 season s greetings from the white house the collection of presidential christmas cards messages and gifts by mary evans seeley 0 ratings 0 want to

*seasons greetings from the white house the* - Apr 17 2023

web historian author and collector mary evans seeley presented highlights from her book season s greetings from the white

house on december 12 2019 at the gerald r

**season s greetings from the white house national archives** - May 18 2023

web this historical book is filled with captivating behind the scenes stories and personal recollections of every first family every year since 1923 and interviews with former first

**season s greetings from the white house seeley mary evans** - May 06 2022

web season s greetings from the white house the collections of presidential christmas cards messages and gifts includes tree lighting speeches from the coolidges

season s greetings from the white house seeley mary evans - Oct 31 2021

seasons greeting vol 2 single by the white house connection - Dec 01 2021

web jan 1 2005 season s greetings from the white house season s greetings from the white house seeley mary evans 9780965768450 amazon com books skip to main

**season s greetings from the white house the stories of** - Aug 21 2023

web after more than 50 000 copies in print it is now in it s eighth edition celebrate with us at this special price this signed season s greetings from the white house documents