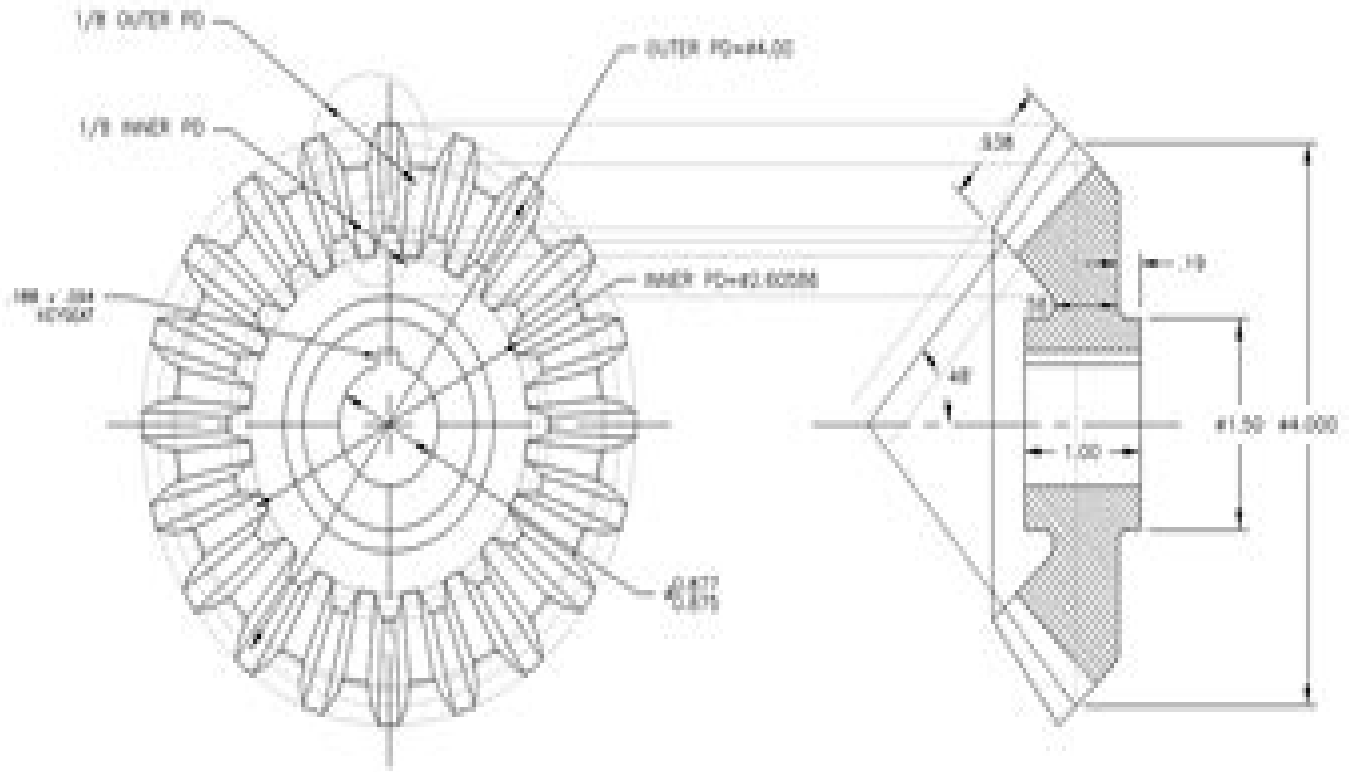



CUTTING DATA		
NO. OF TEETH	20	
DIAMETER, PITCH	1	
TOOTH FORM	20 100	
CUTTING ANGLE	40° 20'	
WHEEL DEPTH	.431	
CHORDAL ADDENDUM	.204	
CHORDAL THICKNESS	.214	
Imperial (in)		
Pitch Dia	PD	1
Number of Teeth	N	20
Pressure Pitch	DP	20
Addendum	ADD	0.2
Debondum	DED	0.2724
Whole Depth	WD	0.804
Clearance	CL	0.0024
Outside Dia	OD	1.4
Root Dia	RD	1.1071
Base Circle	BC	1.1773
Pressure Angle	PA	14.5
Circular pitch	CP	0.48332
Chordal thickness	T	0.3582
Chordal addendum	ACD	0.2083
Tooth Curve Detail	R	0.004
Tooth Curve Detail	r	0.028



DRAWN BY: LI ZHI	BEVEL GEAR P140 FG00-20	SCALE: 1:1	 Advanced Technology Center
CHECKED BY: TADROS	Checked/Reviewed by: TADROS	DATE: 2019-08-13	

# Spur Helical Gear Drawing Autocad

**Wenbin Ji**

A decorative graphic element consisting of a light blue horizontal bar with a rounded right end, and a red-to-white gradient semi-circle positioned behind the bar's end.

## **Spur Helical Gear Drawing Autocad:**

Recognizing the pretension ways to get this book **Spur Helical Gear Drawing Autocad** is additionally useful. You have remained in right site to start getting this info. acquire the Spur Helical Gear Drawing Autocad link that we manage to pay for here and check out the link.

You could buy guide Spur Helical Gear Drawing Autocad or acquire it as soon as feasible. You could speedily download this Spur Helical Gear Drawing Autocad after getting deal. So, past you require the book swiftly, you can straight acquire it. Its for that reason enormously easy and so fats, isnt it? You have to favor to in this announce

[http://www.frostbox.com/public/uploaded-files/Documents/Suzuki\\_Drz\\_400\\_Service\\_Manual.pdf](http://www.frostbox.com/public/uploaded-files/Documents/Suzuki_Drz_400_Service_Manual.pdf)

## **Table of Contents Spur Helical Gear Drawing Autocad**

1. Understanding the eBook Spur Helical Gear Drawing Autocad
  - The Rise of Digital Reading Spur Helical Gear Drawing Autocad
  - Advantages of eBooks Over Traditional Books
2. Identifying Spur Helical Gear Drawing Autocad
  - Exploring Different Genres
  - Considering Fiction vs. Non-Fiction
  - Determining Your Reading Goals
3. Choosing the Right eBook Platform
  - Popular eBook Platforms
  - Features to Look for in an Spur Helical Gear Drawing Autocad
  - User-Friendly Interface
4. Exploring eBook Recommendations from Spur Helical Gear Drawing Autocad
  - Personalized Recommendations
  - Spur Helical Gear Drawing Autocad User Reviews and Ratings
  - Spur Helical Gear Drawing Autocad and Bestseller Lists
5. Accessing Spur Helical Gear Drawing Autocad Free and Paid eBooks

- Spur Helical Gear Drawing Autocad Public Domain eBooks
  - Spur Helical Gear Drawing Autocad eBook Subscription Services
  - Spur Helical Gear Drawing Autocad Budget-Friendly Options
6. Navigating Spur Helical Gear Drawing Autocad eBook Formats
    - ePub, PDF, MOBI, and More
    - Spur Helical Gear Drawing Autocad Compatibility with Devices
    - Spur Helical Gear Drawing Autocad Enhanced eBook Features
  7. Enhancing Your Reading Experience
    - Adjustable Fonts and Text Sizes of Spur Helical Gear Drawing Autocad
    - Highlighting and Note-Taking Spur Helical Gear Drawing Autocad
    - Interactive Elements Spur Helical Gear Drawing Autocad
  8. Staying Engaged with Spur Helical Gear Drawing Autocad
    - Joining Online Reading Communities
    - Participating in Virtual Book Clubs
    - Following Authors and Publishers Spur Helical Gear Drawing Autocad
  9. Balancing eBooks and Physical Books Spur Helical Gear Drawing Autocad
    - Benefits of a Digital Library
    - Creating a Diverse Reading Collection Spur Helical Gear Drawing Autocad
  10. Overcoming Reading Challenges
    - Dealing with Digital Eye Strain
    - Minimizing Distractions
    - Managing Screen Time
  11. Cultivating a Reading Routine Spur Helical Gear Drawing Autocad
    - Setting Reading Goals Spur Helical Gear Drawing Autocad
    - Carving Out Dedicated Reading Time
  12. Sourcing Reliable Information of Spur Helical Gear Drawing Autocad
    - Fact-Checking eBook Content of Spur Helical Gear Drawing Autocad
    - Distinguishing Credible Sources
  13. Promoting Lifelong Learning
    - Utilizing eBooks for Skill Development

- Exploring Educational eBooks
14. Embracing eBook Trends
- Integration of Multimedia Elements
  - Interactive and Gamified eBooks

### **Spur Helical Gear Drawing Autocad Introduction**

In this digital age, the convenience of accessing information at our fingertips has become a necessity. Whether its research papers, eBooks, or user manuals, PDF files have become the preferred format for sharing and reading documents. However, the cost associated with purchasing PDF files can sometimes be a barrier for many individuals and organizations. Thankfully, there are numerous websites and platforms that allow users to download free PDF files legally. In this article, we will explore some of the best platforms to download free PDFs. One of the most popular platforms to download free PDF files is Project Gutenberg. This online library offers over 60,000 free eBooks that are in the public domain. From classic literature to historical documents, Project Gutenberg provides a wide range of PDF files that can be downloaded and enjoyed on various devices. The website is user-friendly and allows users to search for specific titles or browse through different categories. Another reliable platform for downloading Spur Helical Gear Drawing Autocad free PDF files is Open Library. With its vast collection of over 1 million eBooks, Open Library has something for every reader. The website offers a seamless experience by providing options to borrow or download PDF files. Users simply need to create a free account to access this treasure trove of knowledge. Open Library also allows users to contribute by uploading and sharing their own PDF files, making it a collaborative platform for book enthusiasts. For those interested in academic resources, there are websites dedicated to providing free PDFs of research papers and scientific articles. One such website is Academia.edu, which allows researchers and scholars to share their work with a global audience. Users can download PDF files of research papers, theses, and dissertations covering a wide range of subjects. Academia.edu also provides a platform for discussions and networking within the academic community. When it comes to downloading Spur Helical Gear Drawing Autocad free PDF files of magazines, brochures, and catalogs, Issuu is a popular choice. This digital publishing platform hosts a vast collection of publications from around the world. Users can search for specific titles or explore various categories and genres. Issuu offers a seamless reading experience with its user-friendly interface and allows users to download PDF files for offline reading. Apart from dedicated platforms, search engines also play a crucial role in finding free PDF files. Google, for instance, has an advanced search feature that allows users to filter results by file type. By specifying the file type as "PDF," users can find websites that offer free PDF downloads on a specific topic. While downloading Spur Helical Gear Drawing Autocad free PDF files is convenient, its important to note that copyright laws must be respected. Always ensure that the PDF files you download are

legally available for free. Many authors and publishers voluntarily provide free PDF versions of their work, but its essential to be cautious and verify the authenticity of the source before downloading Spur Helical Gear Drawing Autocad. In conclusion, the internet offers numerous platforms and websites that allow users to download free PDF files legally. Whether its classic literature, research papers, or magazines, there is something for everyone. The platforms mentioned in this article, such as Project Gutenberg, Open Library, Academia.edu, and Issuu, provide access to a vast collection of PDF files. However, users should always be cautious and verify the legality of the source before downloading Spur Helical Gear Drawing Autocad any PDF files. With these platforms, the world of PDF downloads is just a click away.

### **FAQs About Spur Helical Gear Drawing Autocad Books**

**What is a Spur Helical Gear Drawing Autocad PDF?** A PDF (Portable Document Format) is a file format developed by Adobe that preserves the layout and formatting of a document, regardless of the software, hardware, or operating system used to view or print it. **How do I create a Spur Helical Gear Drawing Autocad PDF?** There are several ways to create a PDF: Use software like Adobe Acrobat, Microsoft Word, or Google Docs, which often have built-in PDF creation tools. Print to PDF: Many applications and operating systems have a "Print to PDF" option that allows you to save a document as a PDF file instead of printing it on paper. Online converters: There are various online tools that can convert different file types to PDF. **How do I edit a Spur Helical Gear Drawing Autocad PDF?** Editing a PDF can be done with software like Adobe Acrobat, which allows direct editing of text, images, and other elements within the PDF. Some free tools, like PDFescape or Smallpdf, also offer basic editing capabilities. **How do I convert a Spur Helical Gear Drawing Autocad PDF to another file format?** There are multiple ways to convert a PDF to another format: Use online converters like Smallpdf, Zamzar, or Adobe Acrobats export feature to convert PDFs to formats like Word, Excel, JPEG, etc. Software like Adobe Acrobat, Microsoft Word, or other PDF editors may have options to export or save PDFs in different formats. **How do I password-protect a Spur Helical Gear Drawing Autocad PDF?** Most PDF editing software allows you to add password protection. In Adobe Acrobat, for instance, you can go to "File" -> "Properties" -> "Security" to set a password to restrict access or editing capabilities. Are there any free alternatives to Adobe Acrobat for working with PDFs? Yes, there are many free alternatives for working with PDFs, such as: LibreOffice: Offers PDF editing features. PDFsam: Allows splitting, merging, and editing PDFs. Foxit Reader: Provides basic PDF viewing and editing capabilities. How do I compress a PDF file? You can use online tools like Smallpdf, ILovePDF, or desktop software like Adobe Acrobat to compress PDF files without significant quality loss. Compression reduces the file size, making it easier to share and download. Can I fill out forms in a PDF file? Yes, most PDF viewers/editors like Adobe Acrobat, Preview (on Mac), or various online tools allow you to fill out forms in PDF files by

selecting text fields and entering information. Are there any restrictions when working with PDFs? Some PDFs might have restrictions set by their creator, such as password protection, editing restrictions, or print restrictions. Breaking these restrictions might require specific software or tools, which may or may not be legal depending on the circumstances and local laws.

**Find Spur Helical Gear Drawing Autocad :**

~~suzuki drz 400 service manual~~

**suzuki 4eiger manual**

~~suzuki dt 20 manual~~

**suzuki boulevard m109r 2006 2010 service repair manual**

suzuki 400 intruder

**suzuki 3 wheeler parts user manual**

**suzuki drz 125 drz 125l 2003 2009 bike repair manual**

**suzuki 6hp outboard motor owners manual**

**suzuki drz 4owners manual**

**suzuki df 140 repair manual**

**suzuki 700 king quad service manual**

**suzuki caddy van manual**

~~susan turley third edition medical language~~

suzuki an400 burgman full service repair manual 2007 2009

**suzuki drz400sm workshop manual**

**Spur Helical Gear Drawing Autocad :**

**america past and present past and present volume** - Jan 05 2023

web jun 26 2012 america past and present volume 2 since 1865 past and present volume 2 authors robert a divine t h breen r hal williams ariela j gross h

**america past and present 10th volume 2 cyberlab sutd edu sg** - Oct 14 2023

web america past and present 10th volume 2 children past and present oct 12 2022 individual big book folds of past present and future aug 30 2021 this volume



**america past and present combined volume 10th** - Mar 07 2023

web find 9780205905478 america past and present volume 2 10th edition by robert divine et al at over 30 bookstores buy rent or sell

america past and present volume 2 black and white - Aug 12 2023

web aug 8 2012 america past and present volume 2 plus new mylab history with etext access card package 10th edition 10th edition

**america past and present divine robert a** - Sep 13 2023

web jan 5 2014 america past and present volume 2 black and white edition 10th edition 10th edition by robert a divine author t h breen author r hal williams author

america past and present volume ii since 1865 8th edition - Jul 31 2022

web published by pearson coupon rent america past and present past and present volume 2 10th edition 9780205905478 and save up to 80 on textbook america past and present

**america past and present volume 2 ecampus com** - Oct 02 2022

web oct 8 2006 america past and present volume ii since 1865 8th edition 8th edition by robert a divine author t h h breen author george m fredrickson author

**america past and present 10th edition volume 2 esource svb** - Mar 27 2022

web fifth ten volumes of the journal of the london geographical society index to vol 1 10 1831 1840 vol 2 to vol ii 20 1841 1850 vol 3 to vol 21 30 1851 1860 vol 4 to

**9780205908851 america past and present volume 2 plus** - Dec 24 2021

*america past and present volume 2 10th edition doc download* - Jun 29 2022

web 9780205699957 america past and present volume 2 9th edition myhistorylab access codes 31 63 9780078779817 british literature 32 20 view pdf â œthe

**yumpu publishing digital magazines worldwide** - Feb 23 2022

web abebooks com america past and present volume 2 plus new mylab history with etext access card package 10th edition 9780205908851 by divine robert a

*america past and present volume 2 black white plus new* - Sep 01 2022

web it looks for america in crowded slave cabins bustling markets congested tenements and marbled halls it navigates between maternity wards prisons streets bars and

**download america past and present volume 2 pdf** - Apr 27 2022

web yumpu publishing digital magazines worldwide

**americapastandpresent10thvolume2 download only** - May 29 2022

web america past and present 10th edition volume 2 amazon com america past and present volume 1 10th america past and present ap edition robert a divine

**america past and present volume 2 10th edition softcover** - May 09 2023

web jul 5 2012 overview focuses students on the story of american history america past and present integrates the social and political dimensions of american history into one

**america past and present volume 2 books a la carte edition** - Jun 10 2023

web synopsis about this title focuses students on the story of american history america past and present integrates the social and political dimensions of american history into one

**america past and present volume 2 edition 10 paperback** - Apr 08 2023

web jul 1 2012 focuses students on the story of american history america past and present integrates the social and political dimensions of american history into one

**america past and present volume 2 anna s archive** - Dec 04 2022

web jun 21 2012 america past and present volume 2 by divine robert a breen t h williams r hal gross ariela j brands h w isbn13 9780205905478 isbn10

america past and present 10th volume 2 full pdf - Jan 25 2022

web jul 1 2012 america past and present volume 1 10th edition divine robert a breen t h williams r hal gross ariela j brands h w 9780205905195

**america past and present volume 1 10th edition** - Nov 22 2021

america past and present volume 2 plus new mylab history - Jul 11 2023

web jul 1 2012 amazon com america past and present volume 2 books a la carte edition 10th edition 9780205910090 divine robert a breen t h williams r hal gross

**america past and present volume 2 10th direct textbook** - Feb 06 2023

web 10th ed boston pearson education 2013 527 p america past and present integrates the social and political dimensions of american history into one chronological

**america past and present volume 2 since 1865 google books** - Nov 03 2022

web jan 6 2014 sell on amazon see clubs not in a club learn more see all 2 images follow the author divine robert a breen t h williams r hal gross ar america past and

[what darwin never knew video flashcards quizlet](#) - Mar 30 2022

web what darwin never knew video flashcards quizlet 4 8 43 reviews how many years ago was charles darwin born click the card to flip 200 click the card to flip 1 36

[what darwin never knew amazon com](#) - Nov 06 2022

web mar 30 2010 product description earth teems with a staggering variety of animals the source of lifes endless forms was a profound mystery until charles darwins

[what darwin never knew and what we re just learning now](#) - Aug 03 2022

web nov 27 2019 based primarily on observation including his observations of finches iguanas and other species during the trip he took to south america aboard the s m s

[what darwin never knew cosmolearning biology](#) - Feb 09 2023

web what darwin never knew offers answers to riddles that darwin couldn t explain breakthroughs in a brand new science nicknamed evo devo are linking the enigmas

**evolution what darwin never knew nova pbs documentary** - Jan 08 2023

web dec 4 2017 evolution what darwin never knew nova pbs documentary youtube earth teems with a staggering variety of animals including 9000 kinds of birds 28000 types of fish and

[what darwin never knew essay 409 words bartleby](#) - Oct 25 2021

web sep 7 2023 towards net zero best of bbc future loading medicine how darwinism is changing medicine image credit getty images by sofia quaglia 7th september

[what darwin never knew nova hd youtube](#) - May 12 2023

web dec 6 2014 24 2k subscribers subscribe 3 6k 550k views 8 years ago earth teems with a staggering variety of animals the source of life s endless forms was a profound

**summary of what darwin never knew studocu** - Jul 02 2022

web darwin theorized the tree of life symbolizing his belief that all living things were deeply related he assumed that common ancestors of species added or dropped

**tv review what darwin never knew wired** - Jun 01 2022

web dec 29 2009 tv review what darwin never knew during the past year scientists have been celebrating the work of charles darwin for the insight the 19th century naturalist

**evolution what darwin never knew nova pbs documentary** - Dec 27 2021

web evolution explains how species change and adapt there are 2 million different species darwin wrote the origin of species in argentina darwin discovered several fossils

*what darwin never knew nova pbs* - Apr 11 2023

web runtime 01 52 07 one hundred and fifty years later scientists decode nature s greatest mysteries more ways to watch major funding for nova is provided by the nova

**what are some of the things darwin never knew quora** - Apr 30 2022

web answer 1 of 9 charles darwin 1809 1882 is best known for his major contributions to evolutionary theory in 1859 darwin published his theory of natural selection as the

**evolution what darwin never knew nova pbs documentary** - Feb 26 2022

web english evolution what darwin never knew nova pbs documentary amara amara public free hide new media article language spotlight aymara return to video

**what darwin never knew notes evolution studocu** - Nov 25 2021

web research what darwin never knew essay decent essays 409 words 2 pages open document evolution what darwin never knew the main claims of evolution are that

**nova what darwin never knew tv episode 2009** - Jan 28 2022

web oct 23 2015 one answer evolution not synced charles darwin its brilliant theory that explain how species adapt and change not synced its being call the best idea anyone

what darwin never knew nova pbs - Aug 15 2023

web what darwin never knew one hundred and fifty years later scientists decode nature s greatest mysteries a two hour special aired december 21 2011 on pbs

**evolution what darwin never knew nova full documentary** - Sep 04 2022

web jan 20 2019 what darwin never knew offers answers to riddles that darwin couldn t explain breakthroughs in a brand new science nicknamed evo devo are linking the

**tv review what darwin never knew national geographic** - Mar 10 2023

web dec 29 2009 published december 29 2009 4 min read during the past year scientists have been celebrating the work of charles darwin for the insight the 19th century

what darwin never knew pbs - Oct 05 2022

web what darwin never knew video follow the path that led darwin to his theory of evolution by natural selection and his masterwork on the origin of species chapters 2 5 29 48

**what darwin didn t know wikipedia** - Jun 13 2023

what darwin didn t know is a documentary show on bbc four presented by armand marie leroi which charts the progress in the field of evolutionary theory since the original publication of charles darwin s on the origin of species in 1859 the theory of

evolution by natural selection is now orthodoxy but when it was unveiled it caused a storm of controversy from fellow scientists as well as religious people they criticised it for being

**what darwin didn't know science smithsonian magazine** - Jul 14 2023

web there have been plenty of evolutionary surprises in recent years things that darwin never would have guessed the number of genes a species has doesn't correlate with how

**how darwinism is changing medicine bbc future** - Sep 23 2021

*what darwin never knew documentary heaven* - Dec 07 2022

web aug 23 2020 what darwin never knew 2009 113 min evolution science 3 comments the planet earth is filled with a vast collection of species with over 9 000

**spud fit a whole food potato based guide to eating and living** - Oct 24 2021

**spud fit a whole food potato based guide to eating and living** - Oct 04 2022

web amazon in buy spud fit a whole food potato based guide to eating and living book online at best prices in india on amazon in read spud fit a whole food potato

**spud fit a whole food potato based guide to eating and living** - Nov 24 2021

web abebooks com spud fit a whole food potato based guide to eating and living 9780995409613 by taylor customer andrew van zanen mandy and a great selection

**spud fit a whole food potato based guide to eating and living** - Jul 13 2023

web spud fit a whole food potato based guide to eating and living is far more than just a book of meals it is a primer for long term successful and sustainable lifestyle change

**spud fit a whole food potato based guide to eating and living** - Aug 14 2023

web spud fit a whole food potato based guide to eating and living taylor andrew zanen mandy van amazon com tr kitap

**spud fit a whole food potato based guide to eating and living** - Feb 08 2023

web oct 25 2018 spud fit a whole food potato based guide to eating and living by andrew taylor mandy van zanen 0 0 no reviews write the first review published

**weight loss the potato diet and beyond for overcoming** - May 11 2023

web jul 18 2019 spud fit a whole food potato based guide to eating and living show full title by andrew taylor and mandy van zanen 5 5 3 ratings about this ebook the

**buy spud fit a whole food potato based guide to eating and living** - Sep 03 2022

web find helpful customer reviews and review ratings for spud fit a whole food potato based guide to eating and living at amazon com read honest and unbiased product

[books archive spud fit](#) - Jun 12 2023

web no more wrestling with food choices super quick super easy meals satisfying eat as much as you want as often as you want for any reason nutritious no pills bars

[spud fit a whole food potato based guide to eating and living](#) - May 31 2022

web for over 30 years we have partnered with authors publishers and businesses to get books to speaking and training events business conferences and into company book clubs

**amazon com au customer reviews spud fit a whole food** - Aug 02 2022

web the basic rules of the spud fit challenge that enable you to eat as much as you want whenever you want while losing weight mindfulness tips to help you beat cravings

[how to lose weight on an all potato diet brit co](#) - Jan 27 2022

web spud fit a whole food potato based guide to eating and living ebook taylor andrew van zanen mandy amazon com au kindle store

**new spud fit book a whole food potato based guide to** - Feb 25 2022

web feb 3 2016 step aside taco cleanse the potato diet is taking over wtf is spud fit allow us to explain it all started with andrew taylor a 35 year old dad from melbourne

[spud fit a whole food potato based guide to eating and living](#) - Nov 05 2022

web free shipping isbn 9780995409613 soft cover spud fit 2018 condition new book is in new condition spud fit a whole food potato based guide to eating and

**spud fit a whole food potato based guide to eating and living** - Mar 29 2022

web i m very proud of this new book and excited to offer it at a special pre sale price for early adopters check it out here [spudfit.com product page](#)

**spud fit a whole food potato based guide to eating and living** - Jul 01 2022

web learn the science behind the benefits of potatoes and a whole food plant based diet for good health and fighting our biggest chronic diseases discover why food addiction is

[spud fit a whole food potato based guide to eating and living](#) - Jan 07 2023

web in stock 24 58 spud fit a whole food potato based guide to eating and living by andrew taylor mandy van zanen 9780995409613 free worldwide delivery barda books

**spud fit by andrew taylor mandy van zanen ebook scribd** - Apr 10 2023

web spud fit a whole food potato based guide to eating and living is far more than just a book of meals it is a primer for long term successful and sustainable lifestyle change

*spud fit a whole food potato based guide to eating and living* - Dec 26 2021

web buy spud fit a whole food potato based guide to eating and living by taylor customer andrew van zanen mandy online on amazon ae at best prices fast and free shipping

the spud fit cookbook with delicious recipes - Mar 09 2023

web spud fit a whole food potato based guide to eating and living taylor customer andrew van zanen mandy amazon sg books

*spud fit a whole food potato based guide to eating and living* - Apr 29 2022

web buy spud fit a whole food potato based guide to eating and living by andrew taylor mandy van zanen online at alibris we have new and used copies available in 1

*spud fit a whole food potato based guide to eating and living* - Dec 06 2022

web the spud fit cook book is far more than just a book of meals it is a primer for long term successful and sustainable lifestyle change with contributions from more than 90 of the