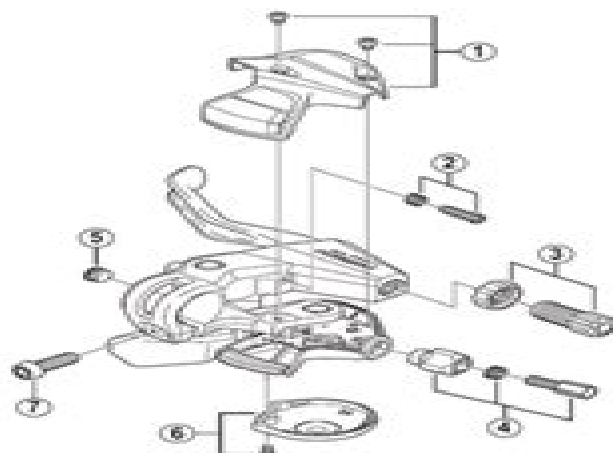
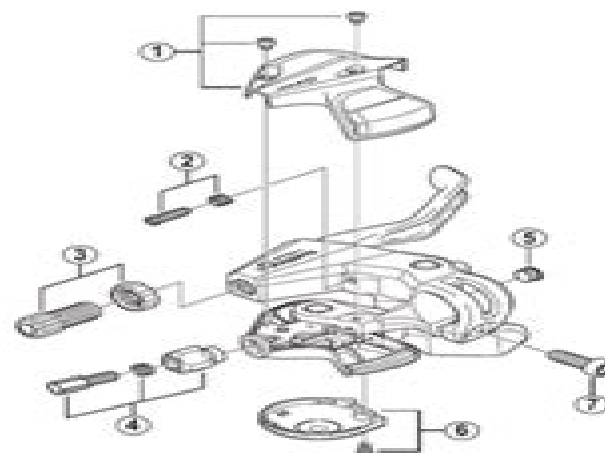


Rapidfire Plus Lever (2-Finger / For V-BRAKE)
ST-M310-8R2/L2 (S) Silver Version
ST-M310-8R2/L2 (L) Black Version

For Left Hand



For Right Hand



ITEM NO.	SHIMANO CODE NO.	DESCRIPTION	INTERCHANGEABILITY
1	Y6UH98010	R.H. Indicator Unit	B
	Y6UJ98010	L.H. Indicator Unit	A
2	Y6UH98030	Reach Adjusting Screw (M4 x 14.5) & Spring	
3	Y6UM98010	Brake Cable Adjusting Bolt & Nut	A
4	Y6P298070	Shifting Cable Adjusting Bolt Unit	
5	Y6CD33000	Inner Hole Cap	A
6	Y6TB98060	Main Lever Cover & Fixing Screw	A A
7	Y6UD99000	Clamp Bolt (M6 x 17.5)	A

A: Same parts.

B: Parts are usable, but differ in materials, appearance, finish, size, etc.

Absence of mark indicates non-interchangeability.

ST-M310
 ST-M310-2A
 ST-RT31-2A

Mar - 2017-3058
 © Shimano Inc. J

Shimano Altus Owners Manual

Schwinn Bicycle Company



Shimano Altus Owners Manual:

Glenn's Complete Bicycle Manual Clarence W. Coles, Harold T. Glenn, 1973 **Yamaha DT 50 & 80 Trail Bikes Owners Workshop Manual** Chris Rogers, 1983-01-01 Eugene A. Sloane's Bicycle Maintenance Manual Eugene A. Sloane, 1981 IT490(K)/IT250(K), 1982 **Bicycle**, 1985 Explains specific procedures for maintaining and repairing bicycles and includes detailed diagrams of parts Zinn & the Art of Road Bike Maintenance Lennard Zinn, 2013 The world's best selling bicycle repair and maintenance guide Schwinn Bicycle Service Manual Schwinn Bicycle Company, 1972 **Volvo 242 244 245 Owner's Manual**, 1977 Owner's Manual Software Version 1.2X Clavia, **Yamaha DT50 and 80 Trail Bikes Owner's Workshop Manual** Chris Rogers, Jeremy Churchill, Pete Shoemark, 1992 **Suzuki Trail Bikes Owners Workshop Manual** Chris Rogers (Writer on automotive engineering), 1982 **Owner's Manual** Clavia, Barnett's Manual John Barnett, 1992 **Suzuki Trail Bikes Owners Workshop Manual** Chris Rogers, 1982-01-01 **Arius YDP-V240**, 2009 1985 Owner's Manual, Subaru XT. Fuji Jūkōgyō Kabushiki Kaisha, 1985 Yamaha XS650C Owner's Manual Yamaha Motor Co, 1975 **Yamaha XT, TT & SR500 Singles Owners Workshop Manual** Mansur Darlington, Mark Coombs, 1990 **Basic (AOS/VS) user's manual**, 1981 Schwinn Sting-ray Models Schwinn Sales, Inc, 1982

As recognized, adventure as without difficulty as experience just about lesson, amusement, as competently as settlement can be gotten by just checking out a ebook **Shimano Altus Owners Manual** then it is not directly done, you could recognize even more something like this life, on the subject of the world.

We meet the expense of you this proper as skillfully as simple pretension to acquire those all. We present Shimano Altus Owners Manual and numerous ebook collections from fictions to scientific research in any way. accompanied by them is this Shimano Altus Owners Manual that can be your partner.

<http://www.frostbox.com/files/publication/default.aspx/style%20guide%20design%20inspiration.pdf>

Table of Contents Shimano Altus Owners Manual

1. Understanding the eBook Shimano Altus Owners Manual
 - The Rise of Digital Reading Shimano Altus Owners Manual
 - Advantages of eBooks Over Traditional Books
2. Identifying Shimano Altus Owners Manual
 - Exploring Different Genres
 - Considering Fiction vs. Non-Fiction
 - Determining Your Reading Goals
3. Choosing the Right eBook Platform
 - Popular eBook Platforms
 - Features to Look for in an Shimano Altus Owners Manual
 - User-Friendly Interface
4. Exploring eBook Recommendations from Shimano Altus Owners Manual
 - Personalized Recommendations
 - Shimano Altus Owners Manual User Reviews and Ratings
 - Shimano Altus Owners Manual and Bestseller Lists
5. Accessing Shimano Altus Owners Manual Free and Paid eBooks

- Shimano Altus Owners Manual Public Domain eBooks
- Shimano Altus Owners Manual eBook Subscription Services
- Shimano Altus Owners Manual Budget-Friendly Options
- 6. Navigating Shimano Altus Owners Manual eBook Formats
 - ePub, PDF, MOBI, and More
 - Shimano Altus Owners Manual Compatibility with Devices
 - Shimano Altus Owners Manual Enhanced eBook Features
- 7. Enhancing Your Reading Experience
 - Adjustable Fonts and Text Sizes of Shimano Altus Owners Manual
 - Highlighting and Note-Taking Shimano Altus Owners Manual
 - Interactive Elements Shimano Altus Owners Manual
- 8. Staying Engaged with Shimano Altus Owners Manual
 - Joining Online Reading Communities
 - Participating in Virtual Book Clubs
 - Following Authors and Publishers Shimano Altus Owners Manual
- 9. Balancing eBooks and Physical Books Shimano Altus Owners Manual
 - Benefits of a Digital Library
 - Creating a Diverse Reading Collection Shimano Altus Owners Manual
- 10. Overcoming Reading Challenges
 - Dealing with Digital Eye Strain
 - Minimizing Distractions
 - Managing Screen Time
- 11. Cultivating a Reading Routine Shimano Altus Owners Manual
 - Setting Reading Goals Shimano Altus Owners Manual
 - Carving Out Dedicated Reading Time
- 12. Sourcing Reliable Information of Shimano Altus Owners Manual
 - Fact-Checking eBook Content of Shimano Altus Owners Manual
 - Distinguishing Credible Sources
- 13. Promoting Lifelong Learning
 - Utilizing eBooks for Skill Development

- Exploring Educational eBooks
14. Embracing eBook Trends
- Integration of Multimedia Elements
 - Interactive and Gamified eBooks

Shimano Altus Owners Manual Introduction

In today's digital age, the availability of Shimano Altus Owners Manual books and manuals for download has revolutionized the way we access information. Gone are the days of physically flipping through pages and carrying heavy textbooks or manuals. With just a few clicks, we can now access a wealth of knowledge from the comfort of our own homes or on the go. This article will explore the advantages of Shimano Altus Owners Manual books and manuals for download, along with some popular platforms that offer these resources. One of the significant advantages of Shimano Altus Owners Manual books and manuals for download is the cost-saving aspect. Traditional books and manuals can be costly, especially if you need to purchase several of them for educational or professional purposes. By accessing Shimano Altus Owners Manual versions, you eliminate the need to spend money on physical copies. This not only saves you money but also reduces the environmental impact associated with book production and transportation. Furthermore, Shimano Altus Owners Manual books and manuals for download are incredibly convenient. With just a computer or smartphone and an internet connection, you can access a vast library of resources on any subject imaginable. Whether you're a student looking for textbooks, a professional seeking industry-specific manuals, or someone interested in self-improvement, these digital resources provide an efficient and accessible means of acquiring knowledge. Moreover, PDF books and manuals offer a range of benefits compared to other digital formats. PDF files are designed to retain their formatting regardless of the device used to open them. This ensures that the content appears exactly as intended by the author, with no loss of formatting or missing graphics. Additionally, PDF files can be easily annotated, bookmarked, and searched for specific terms, making them highly practical for studying or referencing. When it comes to accessing Shimano Altus Owners Manual books and manuals, several platforms offer an extensive collection of resources. One such platform is Project Gutenberg, a nonprofit organization that provides over 60,000 free eBooks. These books are primarily in the public domain, meaning they can be freely distributed and downloaded. Project Gutenberg offers a wide range of classic literature, making it an excellent resource for literature enthusiasts. Another popular platform for Shimano Altus Owners Manual books and manuals is Open Library. Open Library is an initiative of the Internet Archive, a non-profit organization dedicated to digitizing cultural artifacts and making them accessible to the public. Open Library hosts millions of books, including both public domain works and contemporary titles. It also allows users to borrow digital copies of certain books for a limited period, similar to a library lending system. Additionally, many universities

and educational institutions have their own digital libraries that provide free access to PDF books and manuals. These libraries often offer academic texts, research papers, and technical manuals, making them invaluable resources for students and researchers. Some notable examples include MIT OpenCourseWare, which offers free access to course materials from the Massachusetts Institute of Technology, and the Digital Public Library of America, which provides a vast collection of digitized books and historical documents. In conclusion, Shimano Altus Owners Manual books and manuals for download have transformed the way we access information. They provide a cost-effective and convenient means of acquiring knowledge, offering the ability to access a vast library of resources at our fingertips. With platforms like Project Gutenberg, Open Library, and various digital libraries offered by educational institutions, we have access to an ever-expanding collection of books and manuals. Whether for educational, professional, or personal purposes, these digital resources serve as valuable tools for continuous learning and self-improvement. So why not take advantage of the vast world of Shimano Altus Owners Manual books and manuals for download and embark on your journey of knowledge?

FAQs About Shimano Altus Owners Manual Books

How do I know which eBook platform is the best for me? Finding the best eBook platform depends on your reading preferences and device compatibility. Research different platforms, read user reviews, and explore their features before making a choice. Are free eBooks of good quality? Yes, many reputable platforms offer high-quality free eBooks, including classics and public domain works. However, make sure to verify the source to ensure the eBook credibility. Can I read eBooks without an eReader? Absolutely! Most eBook platforms offer web-based readers or mobile apps that allow you to read eBooks on your computer, tablet, or smartphone. How do I avoid digital eye strain while reading eBooks? To prevent digital eye strain, take regular breaks, adjust the font size and background color, and ensure proper lighting while reading eBooks. What the advantage of interactive eBooks? Interactive eBooks incorporate multimedia elements, quizzes, and activities, enhancing the reader engagement and providing a more immersive learning experience. Shimano Altus Owners Manual is one of the best book in our library for free trial. We provide copy of Shimano Altus Owners Manual in digital format, so the resources that you find are reliable. There are also many Ebooks of related with Shimano Altus Owners Manual. Where to download Shimano Altus Owners Manual online for free? Are you looking for Shimano Altus Owners Manual PDF? This is definitely going to save you time and cash in something you should think about.

Find Shimano Altus Owners Manual :

[style guide design inspiration](#)

study guide zone

study guide review answer key geometry

study guide social problems henslin

study guide primate evolution answers

study guide world history prentice hall

~~subaru outback 2000-2010 workshop manual~~

[subaru brz 2013 repair service manual](#)

[studying for the certified administrative professional exam](#)

~~subaru legacy outback 2001-2002 service repair manual~~

~~subaru robin ey20 manual~~

subaru forester service manual 2001

stuffed mushroom recipe

subatomic particles gizmo answer key

subaru impreza speaker radio wire guide

Shimano Altus Owners Manual :

40 variations faciles for the violin viola or cel 2023 - Apr 22 2022

web 40 variations faciles for the violin viola or cel 3 3 beethoven s complete works and links to popular streaming services includes beethoven s letters translated by lady wallace spend hours exploring the composer s personal correspondence also features four biographies including thayer s seminal study explore

40 variations faciles for the violin viola or cel full pdf 2013 - Oct 09 2023

web 40 variations faciles for the violin viola or cel downloaded from 2013 thecontemporaryaustin org by guest yu aniyah the life of ludwig van beethoven sevcik violin studies 40 variations examines the history of musical self quotation and reveals and explores a previously unidentified

40 variations faciles for the violin viola or cel pdf - Dec 31 2022

web 40 variations faciles for the violin viola or cel decoding 40 variations faciles for the violin viola or cel revealing the captivating potential of verbal expression in an era characterized by interconnectedness and an insatiable thirst for

knowledge the captivating potential of verbal expression has emerged as a formidable force

40 variations faciles for the violin viola or cel pdf - Feb 01 2023

web 2 40 variations faciles for the violin viola or cel 2023 03 03 numerous meteorites this second edition covers the standard principles and methods and incorporates many of new developments from the last decade it covers the basis of the method technical aspects data presentation diffusion theory

what is the difference between a violin and a viola - Jun 24 2022

web the most obvious difference you ll notice when you place a violin and viola next to each other is their size the viola is bigger with an average body length of between 15 5 and 16 5 inches for adults compared to the violin which is between 13 and 14 inches a little harder to spot is the discrepancy between each instrument s bow or

viola vs violin difference and comparison diffen - Jul 26 2022

web viola vs violin diffen entertainment music musical instruments violas are larger than violins and have a deeper mellower sound they are both orchestral string instruments that originated in italy and are played with a bow the violin is also called a fiddle when used to play folk music comparison chart size

40 variations faciles for the violin viola or cello opus 3 - Jun 05 2023

web may 12th 2020 you ll find a wide selection of sevcik violin studies sheet music songbooks 40 variations faciles 40 variations faciles violin for the violin viola or cello posed by ottakar sevcik 1852

40 variations faciles for the violin viola or cel frederic - May 04 2023

web 40 variations faciles for the violin viola or cel this is likewise one of the factors by obtaining the soft documents of this 40 variations faciles for the violin viola or cel by online you might not require more get older to spend to go to the book introduction as skillfully as search for them

viola vs violin what are the differences violinspiration - May 24 2022

web 1 viola vs violin a quick introduction to the viola 2 violin vs viola 5 basic differences 3 viola vs violin frequently asked questions viola vs violin a quick introduction to the viola since i cover violin related topics on this website let me tell you some basic things about the viola

40 variations faciles for the violin viola or cel pdf - Mar 22 2022

web 40 variations faciles for the violin viola or cel downloaded from admin store motogp com by guest mora burke 40 variations faciles for the violin viola or cello sevcik violin

40 variations faciles for the violin viola or cel - Mar 02 2023

web 4 40 variations faciles for the violin viola or cel 2023 03 08 to flute music that is published or available in manuscript form unlike any previous handbook of the flute repertoire it is devoted entirely to the works of women the vast majority of

whom are not mentioned in the standard catalogs of flute literature a carefully compiled

40 variations faciles for the violin viola or cel pdf - Sep 08 2023

web 4 40 variations faciles for the violin viola or cel 2022 10 05 music is discussed with analysis and music examples in chronological order it is a scholarly study based on first hand research in german and other archives but it is also elegantly written and fully alive to general cultural and historical implications it is a book for the

40 variations faciles for the violin viola or cel copy - Apr 03 2023

web 40 i e quarante variations faciles dwight s journal of music 40 variations faciles for the violin viola or cel downloaded from retailer bonide com by guest selina mya catalogs routledge argon isotopic dating is one of the most important techniques for estimating the ages of rocks and can be used on very small samples

40 variations faciles for the violin viola or cel albert wier copy - Jul 06 2023

web this 40 variations faciles for the violin viola or cel can be taken as skillfully as picked to act there s a girl in the heart of maryland with a heart that belongs to me harry carroll 1913 01 01 die originalversion von there s a girl in the heart of maryland with a heart that belongs to me wurde 1913 veröffentlicht von

viola vs violin what is the difference which to choose - Sep 27 2022

web dec 29 2020 the difference between a violin viola here are the key differences between viola and violins you should be aware of difference 1 size again while violin and viola may look alike an important thing to note is that they aren t the same size a violin is about 14 inches in size while a viola measures 15 5 to 16 5 inches

viola vs violin what s the difference newviolinist - Aug 27 2022

web the viola is larger than a violin the viola is heavier than a violin the viola is lower in range than a violin the viola has thicker strings than a violin the violin has a steeper arch in the bridge than a viola to hear the difference between a

40 variations faciles for the violin viola or cel pdf - Feb 18 2022

web 40 variations faciles for the violin viola or cello nineteenth century piano music 40 variations faciles for the violin viola or cel downloaded from renewalcc com by guest edwards dillon zeitschrift der internationalen musikgesellschaft oxford university press on demand music sales america optional piano accompaniment for

[40 variations faciles for the violin viola or cel pdf mail](#) - Aug 07 2023

web 40 variations faciles for the violin viola or cel 1 40 variations faciles for the violin viola or cel zeitschrift der internationalen musik gesellschaft e v

40variationsfacilesf ortheviolinviolaorce l - Oct 29 2022

web violin method daily warm ups set 4 minor scales arpeggios one octave velocity warm ups for jazz vibraphone a progressive method of string quartet playing elementary v 1 first violin and part v 2 second violin and part v 3 viola and part

v 4 violoncello and part violin 3 part of 10 romantic pieces for violin quartet

40 variations faciles for the violin viola or cel uniport edu - Nov 29 2022

web apr 13 2023 40 variations faciles for the violin viola or cel 1 6 downloaded from uniport edu ng on april 13 2023 by guest 40 variations faciles for the violin viola or cel this is likewise one of the factors by obtaining the soft documents of this 40 variations faciles for the violin viola or cel by online

llqp exam information pnc learning - Aug 19 2022

web may 8 2021 if you want to become a life insurance agent or an accident sickness insurance agent in canada you ll need to pass the 4 modules of the llqp exam this guide contains all of the llqp exam information you need to be successful when you take your life insurance agent s exam the llqp exams

sample llqp practice exam question deductibles and co insurance - Feb 10 2022

web aug 20 2021 24 867 views 2 years ago llqp exam practice join coach andre as he works through a sample llqp practice exam question and answers it along the way you ll learn a bit about deductibles

llqp exam prep pnc learning - Jul 18 2022

web llqp exam prep all 4 modules 200 5 star reviews on google start a free trial today and save 10 off any course or bundle taught by jacques wong practice questions chapter quizzes mock exams test yourself get instant feedback on your progress and face the exam with confidence

llqp practice quiz apps on google play - Jun 28 2023

web jul 5 2023 whether you re preparing for llqp licensing exams or seeking personal financial knowledge we ve got you covered access comprehensive education and training quickly with real life financial professionals at your fingertips through the myschool app stream classes and gain unlimited access to our reviewers and question banks making

llqp exam modules plannerprep - Sep 19 2022

web life insurance accident and sickness insurance segregated funds and annuities ethics and professional practice some of the key learning areas include life insurance products including term life permanent life universal life disability accident and sickness insurance risk management and needs analysis

life license qualification program llqp practice exam youtube - Apr 26 2023

web aug 13 2021 we are so excited to announce our brand new llqp practice exam question take up series each video will feature one of our trainers breaking down and answeri

llqp exam questions what to expect pnc learning - Nov 21 2022

web aug 28 2021 for students that just need a little bit more practice we have created a llqp practice question bundle containing hundreds of practice questions and mock exams the bundle includes practice exam questions for all 4 modules but

they are also available for individual purchase

llqp insurance exam prep life license coursetree learning - Apr 14 2022

web the llqp exam prep study kit contains all of the following materials section 1 chapter by chapter study notes 116 pages of clear succinct learning objectives covering everything you need to recall to succeed at your exam section 2 practice actual exam questions part a segregated funds 30 questions part b accident and sickness

llqp flashcards quizzes brainscape - Oct 21 2022

web learn llqp study llqp using smart web mobile flashcards created by top students teachers and professors prep for a quiz or learn for fun

life licence qualification program llqp financial services - Mar 14 2022

web the llqp exam is comprised of four modules that cover the curriculum outlined in the qualifying course it is administered by durham college in order to take the exam you must present a certificate of completion of the llqp course note these certificates are valid for only one year after passing your exam

curriculum sample exam questions cisro ocra com - Aug 31 2023

web finalized llqp curriculum documents and earlier versions llqp curriculum revised may 2015 llqp curriculum revised march 2014 curriculum october 2013 competency profile life insurance revised june 2013 competency profile life insurance feb 2013 llqp description document updated january 2010

llqp exam questions and answers pnc learning - Jun 16 2022

web sep 14 2021 the llqp exam consist of 4 modules life accident sickness segregated funds annuities and ethics each exam is 50 mcq except for the ethics exam which is 30 mcq fortunately the exams are open book how should i prepare for the llqp exam questions the questions can be the trickiest part

free insurance tutorial llqp exam preparation course preview - May 28 2023

web this free preview course covers the following sample topics across all 4 exam prep courses 1 llqp life insurance module topic universal life 2 llqp segregated funds module topic registered pension plans client 3 llqp accident and sickness module topic business insurance 4 llqp ethics module topic legal framework governing

llqp exam tips pnc learning - Feb 22 2023

web may 17 2021 give yourself a time limit to complete a practice exam if you can try to study and practice in the same part of your house you ll be sitting in when you write the llqp exam the main idea is to simulate a real exam situation so you get used to it

llqp exam prep all 4 modules pnc learning - Mar 26 2023

web study exam tips save time by studying efficiently and learn the tips you need to pass the exam on the first try practice

questions chapter quizzes mock exams test yourself get instant feedback on your progress and face the exam with confidence
plannerprep s llqp exam bank and study guide - Jan 24 2023

web jun 30 2022 *plannerprep s llqp exam bank 1000 practice questions choose which competency areas to focus on life insurance 263 total questions ethics and professional practice 178 total accident and sickness insurance 283 total segregated funds and annuities 276 total correct answer and rationale after each attempt updated june 30*

llqp sample questions plannerprep - Oct 01 2023

web afp exams afp exam 1 sample questions afp exam 2 sample case afp exam 2 breakdown afp exam 2 writing strategy
plannerprep s afp exam 1 practice exams and study guide plannerprep s afp exam 2 practice exams and study guide llqp
exam llqp exam process llqp exam modules llqp competency profile llqp

llqp practice exam series seewhy learning blog - Dec 23 2022

web aug 22 2021 *llqp practice exam series posted by seewhy learning our brand new llqp practice exam question take up series hi everybody coach andre here in the full suite of llqp e learning videos we cover a wide range of concepts trainer s tips exam writing strategies and more*

hllqp exam questions for all 4 llqp exam modules - May 16 2022

web jul 31 2021 *hllqp exam questions the first 3 modules contain 50 multiple choice questions and you have 90 minutes to complete the final ethics professionalism module contains 30 questions and 60 minutes to complete you need a 60 to pass each module and fortunately for students the exam is open book*

llqp exam bank plannerprep - Jul 30 2023

web afp exam 1 sample questions afp exam 2 sample case afp exam 2 breakdown afp exam 2 writing strategy plannerprep s
afp exam 1 practice exams and study guide plannerprep s afp exam 2 practice exams and study guide llqp exam llqp exam
process llqp exam modules llqp competency profile llqp sample

yamaha 4 zamanlı deniz motoru 25 hp uzun Şaft manuel - Sep 26 2022

web impex japan 0 search search in cart jp 0

25nmho yamaha outboard parts forum - Oct 28 2022

web color dark bluish gray metallic 2 004d stroke 2 6l2c name mhol year 2012 code 6l2c power 25 hp region europe color
dark bluish gray metallic 2

yamaha 25nmh outboard youtube - Dec 30 2022

web yamaha 10 micron yakıt su ayırma filtresi harici 432 cc lik 25 hp lık portatif dıştan takmalı motorumuz yeni aerodinamik
portatif tasarım ve sınıfında lider bir güç ağırlıktır

outboard parts yamaha 25n 25nmh 2004 004d a - Jul 05 2023

web 20d 25n owner s manual 6l3 28199 78 e0 emu25050 read this owner s manual carefully before operating your outboard motor important manual information

yamaha 25 owner s manual pdf download - Apr 02 2023

web sep 21 2013 yamaha 25nmh outboard starting after spark plugs impeller fuel filter and oil change started on second pull didn t have the choke set as you can see i m

yamaha 25nmhl outboard review tradeboat the - May 03 2023

web details yamaha 25nmho 25pk 6l2 bi 2003 manual starting with steering arm

yamaha 25n manuals manualslib - Aug 06 2023

web outboard yamaha 25 component list 25n 25nmh 2004 004d a outboard parts yamaha 25n 25nmh 2004 004d a model 25n name 25n 25nmh year 2004

25nmho long shaft yamaha outboard spares or - Jan 19 2022

yamaha outboard 25n 6l2 service parts - May 23 2022

web yamaha 4 zamanlı deniz motoru 25 hp uzun Şaft manuel yamaha 4 zamanlı deniz motoru 25 hp uzun Şaft manuel

yamaha 4 zamanlı deniz motoru 25 hp uzun Şaft

yamaha 25nmho volvo penta useddieselenginecenter - Mar 01 2023

web yamaha 25n outboard service parts impellers spark plugs water pump kits wear plates insert cups gaskets yamaha 25n outboard service parts bhg marine the

25 15 hp portable outboard motors yamaha - Jan 31 2023

web feb 24 2013 1 25nmho 02 10 2013 10 25 am hello all i have a 16 foot open fishing boat and with it was a yamaha 25nmho the thing is im looking for a manual for it but can find

yamaha 4 zamanlı deniz motoru 25 hp uzun Şaft manuel - Feb 17 2022

web we have 2 yamaha 25nmh manuals available for free pdf download rigging manual yamaha 25nmh rigging manual 329 pages brand yamaha category outboard

yamaha 25 hp outboard price in 2023 all models boatingwise - Dec 18 2021

repair kit for yamaha 25n 25nmh 2004 004d a - Jun 23 2022

web get the best deals for yamaha 25 hp 2 stroke outboard motor at ebay com we have a great online selection at the lowest prices with fast free shipping on many items

2 stroke basic maintenance parts sim yamaha - Apr 21 2022

web jun 20 2019 find many great new used options and get the best deals for 25nmho long shaft yamaha outboard spares or repairs a at the best online prices at

outboard parts yamaha 25 impex japan - Jul 25 2022

web outboards f2 5 f4 f6 portables f8 f9 9 portable t9 9 high thrust kicker t9 9xerb exclusive sim yamaha model f15 portable f20 portable f25 midrange t25 high thrust

yamaha 25n outboard service parts bhg marine - Nov 28 2022

web yamaha 25nmhol 25hp long shaft outboard built light and compact yamahas 25n two stoke models are designed so you can take them absolutely anywhere all engines in

yamaha 25 hp 2 stroke outboard motor for sale ebay - Mar 21 2022

web aug 6 2023 are you planning to purchase an outboard motor for your boat and wondering about the current market prices for yamaha s 25 hp outboards in this blog article we

yamaha 25nmh manuals manualslib - Nov 16 2021

yamaha 25nmhol 25hp long shaft outboard i o w - Aug 26 2022

web service parts spare part engines notes oem part aftermarket part service kits major service kit 25nmh 25nmhl 25nmhs 2000 2016

yamaha 25nmho manuals and user guides outboard motor - Sep 07 2023

web user manuals guides and specifications for your yamaha 25nmho outboard motor database contains 3 yamaha 25nmho manuals available for free online viewing or

yamaha 20d 25n owner s manual manualzz - Jun 04 2023

web as of may 2013 the manual longshaft version of the yamaha 25nmhl price was 3730 with a spare alloy propeller going for around 180 thanks to yamaha motor australia

yamaha 25nmho manuals manualslib - Oct 08 2023

web we have 3 yamaha 25nmho manuals available for free pdf download rigging manual owner s manual yamaha 25nmho rigging manual 329 pages brand yamaha