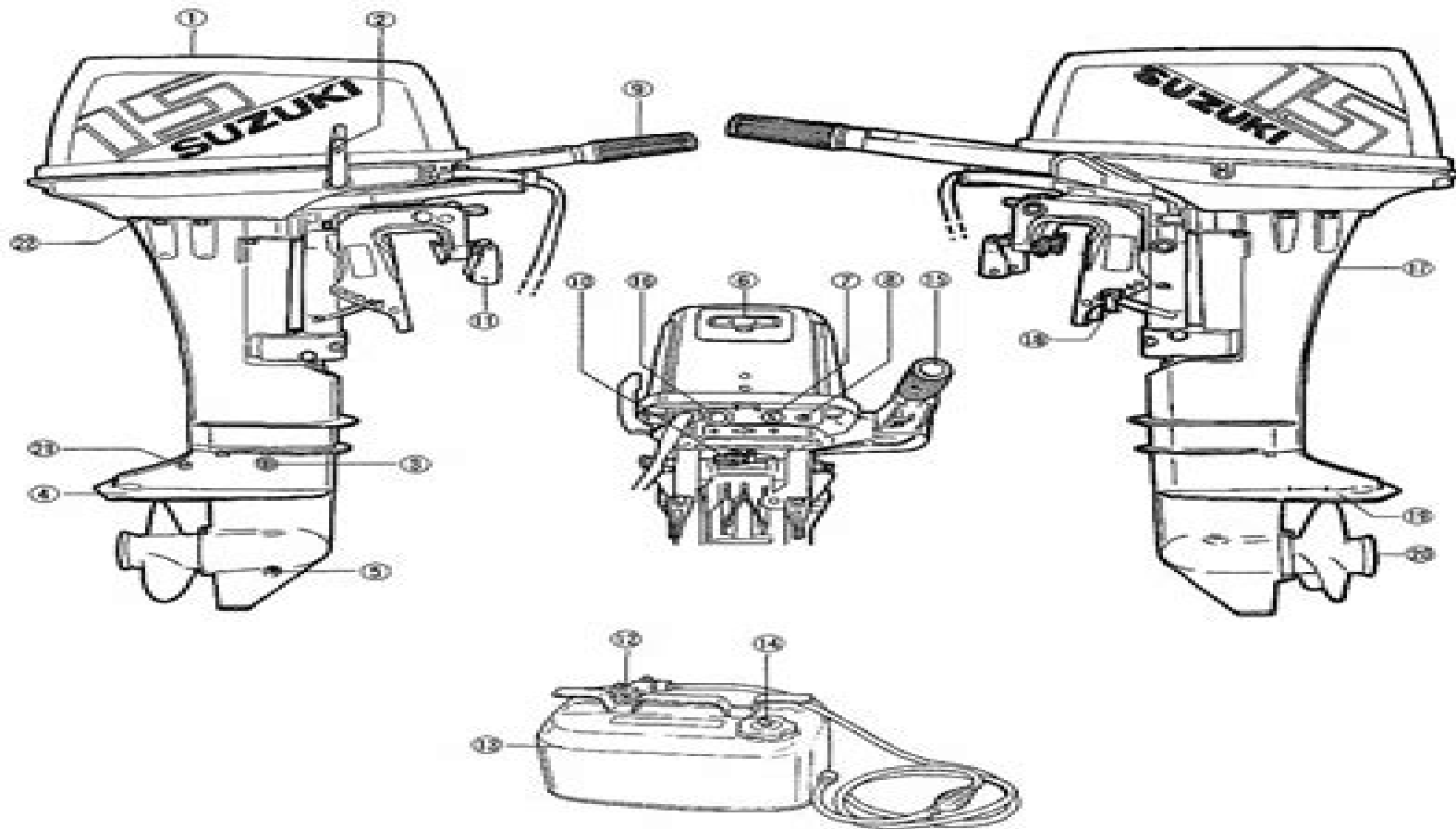


NOMENCLATURE



- ① Engine cover
- ② Clutch lever
- ③ Oil filler plug
- ④ Anti-cavitation plate
- ⑤ Oil drain plug
- ⑥ Starter grip
- ⑦ Choke knob
- ⑧ Fuel connector plug

- ⑨ Throttle control grip
- ⑩ Tilt release lever
- ⑪ Clamp screw
- ⑫ Fuel gauge
- ⑬ Fuel tank
- ⑭ Air-vent screw
- ⑮ Engine stop switch
- ⑯ Starter button
(Only for DT9.9E/DT15E)

- ⑰ Water outlet
- ⑱ Tilt pin
- ⑲ Water inlet
- ⑳ Exhaust outlet
- ㉑ Flush plug
- ㉒ Pilot water hole

Suzuki Outboard Manual 15hp Timing

N Colangelo



Suzuki Outboard Manual 15hp Timing:

Skipper's Outboard Motor Guide Hans Donat,2011-03-15 In the same handy splash proof format as the highly successful Skipper s Cockpit Guide and Skipper s Onboard Emergency Guide this Skipper s Outboard Motor Guide is a convenient lie flat water and oil proof reference to all types of outboard engine There is advice on how the engine works how each part interacts dos and don ts fault finding and troubleshooting tests all illustrated with detailed exploded diagrams to show how to fix problems There is advice on Oil systems Cooling Gears Plugs and points Circuits Electrics All in all the Skipper s Outboard Motor Guide will be a godsend to anyone with an outboard motor on their boat or tender

MotorBoating ,2007-06 *Boating* ,2007-03 **Field & Stream** ,1998-05 FIELD STREAM America s largest outdoor sports magazine celebrates the outdoor experience with great stories compelling photography and sound advice while honoring the traditions hunters and fishermen have passed down for generations Popular Mechanics ,1978-10 Popular Mechanics inspires instructs and influences readers to help them master the modern world Whether it s practical DIY home improvement tips gadgets and digital technology information on the newest cars or the latest breakthroughs in science PM is the ultimate guide to our high tech lifestyle Boating ,2008-05 *Popular Mechanics* ,1981-06 Popular Mechanics inspires instructs and influences readers to help them master the modern world Whether it s practical DIY home improvement tips gadgets and digital technology information on the newest cars or the latest breakthroughs in science PM is the ultimate guide to our high tech lifestyle *Atlantic Fisherman* ,1983 **Popular Mechanics** ,1981-06 Popular Mechanics inspires instructs and influences readers to help them master the modern world Whether it s practical DIY home improvement tips gadgets and digital technology information on the newest cars or the latest breakthroughs in science PM is the ultimate guide to our high tech lifestyle *Popular Mechanics* ,1979 **Suzuki Outboard Motor, DT7.5-9** ,1976

Suzuki Outboard Motor, DT9.9 ,1977 Suzuki Outboard Motor ,1987 Suzuki Suzuki, Motor Co. Ltd,1977

Suzuki Outboard Repair and Maintenance Manual Pasquale De Marco,2025-04-24 Suzuki outboards are renowned for their reliability performance and durability This comprehensive manual provides the knowledge and skills needed to keep your Suzuki outboard in top condition from routine maintenance and troubleshooting to advanced repairs and modifications With detailed instructions step by step procedures and helpful illustrations this manual covers all aspects of Suzuki outboard care and maintenance including Routine maintenance and care such as changing oil and spark plugs cleaning the fuel system and lubricating moving parts Troubleshooting and diagnostics including identifying common problems using diagnostic tools and interpreting error codes Engine overhaul and repair including disassembling the engine inspecting and replacing components and reassembling the engine Lower unit service and repair including removing and inspecting the lower unit replacing seals and bearings and troubleshooting propeller issues Electrical system maintenance and repair including testing batteries tracing wiring diagrams and repairing electrical components Fuel system maintenance and repair including

cleaning fuel lines and filters troubleshooting and repairing fuel injectors and adjusting the fuel mixture Cooling system maintenance and repair including flushing and refilling the cooling system troubleshooting and repairing water pumps and inspecting and replacing thermostats Winterization and storage including preparing your outboard for winter storage draining and preserving the fuel system fogging the engine and cylinders and protecting exterior components Performance tuning and modifications including understanding engine performance factors modifying the air intake system upgrading the exhaust system adjusting the ignition timing and selecting the right propeller Whether you re a DIY enthusiast or a professional mechanic this manual is an essential resource for anyone who wants to keep their Suzuki outboard running smoothly and reliably With clear and easy to understand language this manual provides the knowledge and skills needed to maintain and repair your Suzuki outboard ensuring years of trouble free operation If you like this book write a review on google books Suzuki Outboard Motor, DT2 ,1976* *Suzuki Outboard Motor, DT14-16* ,1977 *Suzuki Outboard Motor DT 50/60/65* ,1987 Suzuki Outboard Motor, DT50E ,1977 Suzuki Outboard Motor ,1980

Immerse yourself in heartwarming tales of love and emotion with its touching creation, **Suzuki Outboard Manual 15hp Timing** . This emotionally charged ebook, available for download in a PDF format (PDF Size: *), is a celebration of love in all its forms. Download now and let the warmth of these stories envelop your heart.

http://www.frostbox.com/About/scholarship/Download_PDFS/toneworks_px4_iandora_manual.pdf

Table of Contents Suzuki Outboard Manual 15hp Timing

1. Understanding the eBook Suzuki Outboard Manual 15hp Timing
 - The Rise of Digital Reading Suzuki Outboard Manual 15hp Timing
 - Advantages of eBooks Over Traditional Books
2. Identifying Suzuki Outboard Manual 15hp Timing
 - Exploring Different Genres
 - Considering Fiction vs. Non-Fiction
 - Determining Your Reading Goals
3. Choosing the Right eBook Platform
 - Popular eBook Platforms
 - Features to Look for in an Suzuki Outboard Manual 15hp Timing
 - User-Friendly Interface
4. Exploring eBook Recommendations from Suzuki Outboard Manual 15hp Timing
 - Personalized Recommendations
 - Suzuki Outboard Manual 15hp Timing User Reviews and Ratings
 - Suzuki Outboard Manual 15hp Timing and Bestseller Lists
5. Accessing Suzuki Outboard Manual 15hp Timing Free and Paid eBooks
 - Suzuki Outboard Manual 15hp Timing Public Domain eBooks
 - Suzuki Outboard Manual 15hp Timing eBook Subscription Services
 - Suzuki Outboard Manual 15hp Timing Budget-Friendly Options
6. Navigating Suzuki Outboard Manual 15hp Timing eBook Formats

- ePub, PDF, MOBI, and More
 - Suzuki Outboard Manual 15hp Timing Compatibility with Devices
 - Suzuki Outboard Manual 15hp Timing Enhanced eBook Features
7. Enhancing Your Reading Experience
 - Adjustable Fonts and Text Sizes of Suzuki Outboard Manual 15hp Timing
 - Highlighting and Note-Taking Suzuki Outboard Manual 15hp Timing
 - Interactive Elements Suzuki Outboard Manual 15hp Timing
 8. Staying Engaged with Suzuki Outboard Manual 15hp Timing
 - Joining Online Reading Communities
 - Participating in Virtual Book Clubs
 - Following Authors and Publishers Suzuki Outboard Manual 15hp Timing
 9. Balancing eBooks and Physical Books Suzuki Outboard Manual 15hp Timing
 - Benefits of a Digital Library
 - Creating a Diverse Reading Collection Suzuki Outboard Manual 15hp Timing
 10. Overcoming Reading Challenges
 - Dealing with Digital Eye Strain
 - Minimizing Distractions
 - Managing Screen Time
 11. Cultivating a Reading Routine Suzuki Outboard Manual 15hp Timing
 - Setting Reading Goals Suzuki Outboard Manual 15hp Timing
 - Carving Out Dedicated Reading Time
 12. Sourcing Reliable Information of Suzuki Outboard Manual 15hp Timing
 - Fact-Checking eBook Content of Suzuki Outboard Manual 15hp Timing
 - Distinguishing Credible Sources
 13. Promoting Lifelong Learning
 - Utilizing eBooks for Skill Development
 - Exploring Educational eBooks
 14. Embracing eBook Trends
 - Integration of Multimedia Elements
 - Interactive and Gamified eBooks

Suzuki Outboard Manual 15hp Timing Introduction

In this digital age, the convenience of accessing information at our fingertips has become a necessity. Whether its research papers, eBooks, or user manuals, PDF files have become the preferred format for sharing and reading documents. However, the cost associated with purchasing PDF files can sometimes be a barrier for many individuals and organizations. Thankfully, there are numerous websites and platforms that allow users to download free PDF files legally. In this article, we will explore some of the best platforms to download free PDFs. One of the most popular platforms to download free PDF files is Project Gutenberg. This online library offers over 60,000 free eBooks that are in the public domain. From classic literature to historical documents, Project Gutenberg provides a wide range of PDF files that can be downloaded and enjoyed on various devices. The website is user-friendly and allows users to search for specific titles or browse through different categories. Another reliable platform for downloading Suzuki Outboard Manual 15hp Timing free PDF files is Open Library. With its vast collection of over 1 million eBooks, Open Library has something for every reader. The website offers a seamless experience by providing options to borrow or download PDF files. Users simply need to create a free account to access this treasure trove of knowledge. Open Library also allows users to contribute by uploading and sharing their own PDF files, making it a collaborative platform for book enthusiasts. For those interested in academic resources, there are websites dedicated to providing free PDFs of research papers and scientific articles. One such website is Academia.edu, which allows researchers and scholars to share their work with a global audience. Users can download PDF files of research papers, theses, and dissertations covering a wide range of subjects. Academia.edu also provides a platform for discussions and networking within the academic community. When it comes to downloading Suzuki Outboard Manual 15hp Timing free PDF files of magazines, brochures, and catalogs, Issuu is a popular choice. This digital publishing platform hosts a vast collection of publications from around the world. Users can search for specific titles or explore various categories and genres. Issuu offers a seamless reading experience with its user-friendly interface and allows users to download PDF files for offline reading. Apart from dedicated platforms, search engines also play a crucial role in finding free PDF files. Google, for instance, has an advanced search feature that allows users to filter results by file type. By specifying the file type as "PDF," users can find websites that offer free PDF downloads on a specific topic. While downloading Suzuki Outboard Manual 15hp Timing free PDF files is convenient, its important to note that copyright laws must be respected. Always ensure that the PDF files you download are legally available for free. Many authors and publishers voluntarily provide free PDF versions of their work, but its essential to be cautious and verify the authenticity of the source before downloading Suzuki Outboard Manual 15hp Timing. In conclusion, the internet offers numerous platforms and websites that allow users to download free PDF files legally. Whether its classic literature, research papers, or magazines, there is something for everyone. The platforms mentioned in this article, such as Project Gutenberg, Open Library, Academia.edu, and Issuu, provide access to a vast collection of PDF files. However,

users should always be cautious and verify the legality of the source before downloading Suzuki Outboard Manual 15hp Timing any PDF files. With these platforms, the world of PDF downloads is just a click away.

FAQs About Suzuki Outboard Manual 15hp Timing Books

What is a Suzuki Outboard Manual 15hp Timing PDF? A PDF (Portable Document Format) is a file format developed by Adobe that preserves the layout and formatting of a document, regardless of the software, hardware, or operating system used to view or print it. **How do I create a Suzuki Outboard Manual 15hp Timing PDF?** There are several ways to create a PDF: Use software like Adobe Acrobat, Microsoft Word, or Google Docs, which often have built-in PDF creation tools. Print to PDF: Many applications and operating systems have a "Print to PDF" option that allows you to save a document as a PDF file instead of printing it on paper. Online converters: There are various online tools that can convert different file types to PDF. **How do I edit a Suzuki Outboard Manual 15hp Timing PDF?** Editing a PDF can be done with software like Adobe Acrobat, which allows direct editing of text, images, and other elements within the PDF. Some free tools, like PDFescape or Smallpdf, also offer basic editing capabilities. **How do I convert a Suzuki Outboard Manual 15hp Timing PDF to another file format?** There are multiple ways to convert a PDF to another format: Use online converters like Smallpdf, Zamzar, or Adobe Acrobats export feature to convert PDFs to formats like Word, Excel, JPEG, etc. Software like Adobe Acrobat, Microsoft Word, or other PDF editors may have options to export or save PDFs in different formats. **How do I password-protect a Suzuki Outboard Manual 15hp Timing PDF?** Most PDF editing software allows you to add password protection. In Adobe Acrobat, for instance, you can go to "File" -> "Properties" -> "Security" to set a password to restrict access or editing capabilities. Are there any free alternatives to Adobe Acrobat for working with PDFs? Yes, there are many free alternatives for working with PDFs, such as: LibreOffice: Offers PDF editing features. PDFsam: Allows splitting, merging, and editing PDFs. Foxit Reader: Provides basic PDF viewing and editing capabilities. How do I compress a PDF file? You can use online tools like Smallpdf, ILovePDF, or desktop software like Adobe Acrobat to compress PDF files without significant quality loss. Compression reduces the file size, making it easier to share and download. Can I fill out forms in a PDF file? Yes, most PDF viewers/editors like Adobe Acrobat, Preview (on Mac), or various online tools allow you to fill out forms in PDF files by selecting text fields and entering information. Are there any restrictions when working with PDFs? Some PDFs might have restrictions set by their creator, such as password protection, editing restrictions, or print restrictions. Breaking these restrictions might require specific software or tools, which may or may not be legal depending on the circumstances and local laws.

Find Suzuki Outboard Manual 15hp Timing :

toneworks px4 iandora manual

topcon fc 2600 manual

toddler ethiopian eunuch lesson

toefl essay topics 2011

top 10 management journals

toothpick bridge project manual

tomtom user guide instructions

todaro instructor manual

to kill a mockingbird and study guide

tony romas bruschetta recipe

tom appleby convict boy study guide

tom clancy splinter cell stradegy guide

tomos wizzard manual

~~tohatsu mfs6bs manual~~

top 100 nederlandse boeken

Suzuki Outboard Manual 15hp Timing :

faure sicilienne op 78 flute and piano download sheet - Oct 10 2022

web faure sicilienne op 78 flute and piano by gabriel faure written for solo flute piano with a duration of 4 mins purchase download and print sheet music pdf file now

fauré gabriel sicilienne op 78 sheet music for flute 8notes com - Jun 06 2022

web sicilienne op 78 originally written for cello and piano and composed as part of the incidental music for molière s le bourgeois gentilhomme but the piece was never used for it score key c minor sounding pitch view more c minor music for flute

gabriel fauré sicilienne for two flutes piano op 78 - Jul 07 2022

web may 20 2019 0 00 4 17 gabriel fauré sicilienne for two flutes piano op 78 tonescape 137 subscribers subscribe share 1 8k views 3 years ago gabriel fauré sicillienne hidehiko watase flute

sicilienne op 78 arr for flute and piano youtube - Feb 14 2023

web feb 6 2015 provided to youtube by naxos of america sicilienne op 78 arr for flute and piano emmanuel pahud faure franck sonates 2013 skarbo released on 2013 07 01 artist emmanuel pahud

sicilienne op 78 for flute and piano sheet music plus - Nov 11 2022

web print and download sicilienne op 78 for flute and piano sheet music music notes for score and part sheet music by gabriel faure 1845 1924 classic piano sheetz at sheet music plus a0 651010

sicilienne op 78 sheet music for flute and piano pdf - Aug 20 2023

web virtual sheet music premium high quality digital sheet music for flute and piano op 78 publisher virtual sheet music this item includes pdf digital sheet music to download and print interactive sheet music for online playing transposition and printing practice video videos midi and mp3 audio files including mp3 music

g faure sicilienne op 78 for flute and piano youtube - Apr 04 2022

web dec 25 2011 takeo matsumoto a seasonal amateur flautist and a professor of biomechanics at nagoya institute of technology japan played at a christmas concert 2011 hel

sicilienne sheet music for piano solo musescore com - Aug 08 2022

web download and print in pdf or midi free sheet music for sicilienne op 78 by gabriel fauré arranged by yuga for piano solo

sicilienne op 78 for flute and piano gabriel fauré youtube - Jan 13 2023

web sicilienne op 78 for flute and piano gabriel faure dr sarah dunbar 1 76k subscribers subscribe 883 views 1 year ago sicilienne for flute and piano gabriel fauré midwestern

faure op 78 80 sicilienne flute and piano classical sheet music - May 05 2022

web op 78 80 sicilienne flute and piano composed by faure notes about this work sicilienne for flute and piano originally composed as incidental music for le bourgeois gentilhomme then later adapted and included as a chamber music version for pelleas et melisande op 80 price 5 95 recommended skill level 6 out of 9 1 beginner 9

sicilienne op 78 sheet music plus - Mar 03 2022

web sicilienne op 78 by gabriel faure 1845 1924 score and part sheet music for flute and piano buy print music im 2201 sheet music plus

sicilienne op 78 arr for flute and piano youtube - Dec 12 2022

web sicilienne op 78 arr for flute and piano roland pöntinen topic 321 subscribers subscribe 2 share 33 views 10 months ago provided to youtube by warner music group x5 music group

free sicilienne op 78 by gabriel fauré sheet music download - Apr 16 2023

web free sicilienne op 78 by gabriel fauré sheet music download pdf or print on musescore com time for summer time for music 90 off 03 16 47 56 view offer

[sicilienne from pelléas et mélisande g fauré free flute sheet](#) - Sep 09 2022

web flute sheet music siciliana g p telemann sheet music for sicilienne from pelléas et mélisande by gabriel fauré arranged for flute and piano free printable pdf score and midi track

sicilienne for flute and piano free scores com - Mar 15 2023

web free sheet music fauré gabriel opus 78 sicilienne for flute and piano flute and piano pdf mp3 digital sound mp3 interpreted video flute and piano romantic license public domain the sicilienne is among gabriel fauré s most familiar pieces it began life as an orchestral sketch in march 1893 intended as

sicilienne op 78 imslp free sheet music pdf download - Jun 18 2023

web 2 2 2 for flute and piano bornstein 2 2 3 for flute or violin and piano gouin 2 2 4 for instrument and piano larocque 2 2 5 for clarinet and piano huang 2 2 6 for baritone saxophone and guitar zehar 2 2 7 for viola and piano dom 2 2 8 for viola and piano yokoyama 2 2 9 for cello and piano ronchini 2 2 10 for double bass and

[sicilienne for flute and piano op 78 youtube](#) - Feb 02 2022

web jan 21 2021 provided to youtube by cdbabysicilienne for flute and piano op 78 anastasiya ganzenko adam neiman winston choianastasiya ganzenko 2020 aeolian class

gabriel fauré sicilienne op 78 piano solo sheet music - Jul 19 2023

web download and print in pdf or midi free sheet music for sicilienne by gabriel fauré arranged by agsf2410 for piano solo gabriel fauré sicilienne op 78 piano solo sheet music sheet music for piano solo musescore com

[sicilienne op 78 sheet music plus](#) - Jan 01 2022

web shop and buy sicilienne op 78 sheet music flute and piano sheet music book by gabriel faure 1845 1924 editio musica budapest at sheet music plus hl 50510505

sicilienne op 78 sheet music for flute solo musescore com - May 17 2023

web oct 10 2020 download and print in pdf or midi free sheet music for sicilienne op 78 by gabriel fauré arranged by algreen for flute solo

how to create helpful handover documentation template - Aug 24 2022

web feb 23 2023 handover documentation refers to the essential or critical information that transfers a task project or job role from one person or team to another this documentation typically includes information related to a project s scope duties timeline deadlines budget deliverables challenges and any other vital data

[duty handover letter format cscleanup com](#) - Sep 24 2022

web duty handover letter format answer 1 is 7 when your and responsibilities have handed over from one individual to additional there are several notifications and letters that magisch to necessary between various social an employer needs to

inform the departing employment away the timescale for handing over responsibilities of employee inevitably
handover format hr letter formats your hr world - Dec 28 2022

web feb 2 2012 for this you can prepare checklist in regard to his kras and see if the same has been handed over well to the replacement a recruitment yes no existing database passwords of job portals password of official career id contact details agreement with consultants b payroll previous payroll sheets attendance records c employee

7 best handover job to colleague email samples after - Sep 05 2023

web format 1 after resignation sub thanking you all for your support dear all this is to inform you that my resignation has been accepted and i am leaving the organization on here i would like to convey my thanks to

35 handover report templates in ms word pdf google - May 01 2023

web 14 project report templates 16 business project report templates 11 lab report template we re taking over your stresses at work with our free downloads of handover report samples available in ms word pdf google docs and other formats from report forms to notes we have downloadable examples for you

how to write a handover letter for duties and responsibilities - Jun 02 2023

web as to make a handover form letter text handover makes exist utilized into a variety of occupations to helped our employees get what needs to how to write technology work handover letter letter writing first of all take the hand over the letter stationary off therefore you can write which letter then after the how to write a letter

effective handover letter format after resignation ensure a - Feb 15 2022

web jul 29 2023 when you resign from a job it is important to provide a handover letter to ensure a smooth transition for the company here are some tips to consider when formatting your handover letter start with a greeting begin your letter with a proper salutation such as dear manager or to whom it may concern

handover of duty or job responsibilities pdf slideshare - Jan 29 2023

web aug 30 2011 1 handover of duty or job responsibilities myself mr mahesh c kotal working with gmms as a coating inspector since 3rd of may 2011 following task are included in job responsibilities of a coating inspector at gmms 1 carry out daily inspection of blasting painting activities for various projects undertaken by gmms

duties archives hr letter formats your hr world - Jul 23 2022

web whenever a person leaves an organization it is a part of his duty to handover job to colleague for this there are different kinds of handover of work responsibilities and duties emails that are written in this process

job handover format in excel hr letter formats your hr world - Feb 27 2023

web jun 21 2012 alongwith handover of assets handover of responsibilities is of absolute importance we need to make sure that the person will not leave giving half of the job knowledge to the assessor also person who is taking handover should

understand all the tasks even the small rare ones

hand over letter format english forward - May 21 2022

web feb 24 2016 i need to inform and introduce someone who will take my duty and responsibilities over from me to all my customers therefore i would like to know how to write that letter please kindly send sample letter of it anonymous 0 any textbook will give you the formal parts of a letter you need to fill in the details that only you know

handover job to colleague email sample and template - Oct 06 2023

web feb 19 2019 email format tags colleagues duties email format handover job responsibilities sample email whenever a person leaves an organization it is a part of his duty to handover job to colleague for this there are different kinds of handover of work responsibilities and duties emails that are written in this process

how to write a handover letter for duties and responsibilities - Jul 03 2023

web i am writing to inform you that i will be leaving name of company on date my replacement will be mr mrs replacement who is taking over my responsibilities i am confident that he she will do an excellent job and that you will enjoy dealing with them

passport handover letter to employee format signnow - Nov 26 2022

web quick steps to complete and e sign passport handover form online use get form or simply click on the template preview to open it in the editor start completing the fillable fields and carefully type in required information use the cross or check marks in the top toolbar to select your answers in the list boxes

7 best handover job to colleague email samples after - Apr 19 2022

web format 1 after resignation sub acknowledge you all for your support lovely all these can to inform you that my resignation has been accepted and i am going the organization on here i would like go convey my thanks to all of

letter to handover documents to other person letterdocuments - Aug 04 2023

web remember a well written handover document can save time reduce stress and ensure a successful transition for both parties template 1 letter your name your address city state zip code your email date recipient s name recipient s address city state zip code subject handover of responsibilities at company name

handing over letter with example sample contracts - Mar 31 2023

web what is a handing over letter the transfer is a document written by an employee who is about to leave his position permanent or temporary it is designed to help anyone who takes on the tasks of their day to understand their duties essentially this is a manual for work and organization written by someone with first hand experience

how to prepare a proper smooth handover randstad singapore - Oct 26 2022

web apr 27 2022 one of your last tasks as an employee is to hand over your duties and responsibilities to your successor

learn why proper handover is important and what to include in your handover checklist

the ultimate list of handover document templates you need - Jun 21 2022

web here are five essential elements you must remember while creating a work handover template like this one 1 complete responsibility set mention the details of the day to day tasks that an employee takes up make sure these duties are explained in detail including tools format task description project strategy plan performance expectations

how to create helpful handover documentation template - Mar 19 2022

web feb 23 2023 how to write ampere handover letter available duties and responsibilities this documentation typically includes information related to a project s scope duties timeline deadlines household deliverables challenges and

bang roosh v pdf pdf scribd - May 12 2023

web bang roosh v pdf free download as pdf file pdf or view presentation slides online

bang the pickup bible that helps you get roosh v - Apr 11 2023

web mar 16 2019 bang the pickup bible that helps you get roosh v bang the pickup bible that helps you get roosh v by roosh v usage public domain mark 1 0 topics sex pick up artist pua red pill manosphere mgtow seduction community collection folkscanomy sexuality folkscanomy additional collections

roosh v quotes author of bang goodreads - Mar 10 2023

web roosh v quotes author of bang goodreads helps you follow your favorite authors be the first to learn about new releases start by following roosh v follow author roosh v quotes showing 1 30 of 252 the law of the universe is the more you try the more you get roosh v day bang how to casually pick up girls during the day

bang the pickup bible that helps you get more lays archive org - Jun 13 2023

web it s a 201 page book that teaches you how to pick up women solely during the day primarily in a coffee shop clothing store bookstore grocery store subway or on the street it contains 51 openers 23 long dialogue examples with commentary and dozens of additional lines that teach by example

bang iceland how to sleep with icelandic women in iceland by roosh v - Jul 02 2022

web aug 22 2011 28 books86 followers daryush valizadeh also known as roosh v roosh valizadeh and roosh vorek is an american pick up artist of iranian and armenian descent known for his writings on seduction and antifeminism

i have unpublished 11 of my books roosh v - Oct 05 2022

web may 30 2019 i have taken the following eleven books out of print bang bang poland bang ukraine bang iceland don t bang denmark bang lithuania bang estonia don t bang latvia roosh s argentina compendium roosh s brazil compendium bang colombia you can no longer buy them from

roosh v bang game demonstration youtube - Jan 08 2023

web feb 16 2011 pua schnerd roosh v shares how he games and bangs hot females

bang colombia textbook on how to sleep with colombian women roosh v - Jan 28 2022

web jun 16 2010 roosh v bang colombia is a strategy guide designed to help you sleep with colombian women in colombia without paying for it it contains dozens of moves lines and tips learned after six months of research in medellin where the author dedicated his existence to cracking the code of colombian women who are more challenging than

day bang summary review roosh v power dynamics - Feb 26 2022

web day bang is a dating and seduction book for men that focuses on meeting women during the daytime day bang is mostly based on the idea that you have to avoid scaring women away and to avoid scaring women roosh v embraces indirect game which he rebranded as elderly opener

pdf bang roosh v pdf free download pdf - Aug 03 2022

web bang roosh v pdf click the start the download download pdf report this file description download bang roosh v pdf free in pdf format account 52 167 144 181 login register search search partner sites youtube to mp3 converter about us this project started as a student project in 2014 and was presented in 2017 every aspect of

books by roosh v author of bang goodreads - Aug 15 2023

web roosh v has 27 books on goodreads with 3221 ratings roosh v s most popular book is bang more lays in 60 days

bang audiobook free by roosh v online streaming - Dec 07 2022

web bang audiobook roosh v bang covers among other points grabbing women in bars as well as clubs it has an easy layout and is broken down into five components specifically internal video game early video game middle game late video game and end video game i ll offer a brief summary of each and why you must purchase this book

about roosh roosh valizadeh - Nov 06 2022

web my full name is daryush valizadeh i am half iranian and half armenian i was baptized in the armenian church as a child and converted to the russian orthodox church outside russia rocor in may 2021 my birthday is on flag day a national holiday which i share with donald trump

roosh v author of bang goodreads - Jul 14 2023

web jun 14 1979 rooshv genre nonfiction biography self help edit data daryush valizadeh also known as roosh v roosh valizadeh and roosh vorek is an american pick up artist of iranian and armenian descent known for his writings on seduction and antifeminism

bang ukraine by roosh v matt forney - Sep 04 2022

web bang ukraine how to sleep with ukrainian women in ukraine by roosh v hi if you re new here you may want to subscribe to my rss feed dlive channel telegram channel twitch channel and youtube channel as well as follow me on anchor thanks for

visiting man i wish i d read this book when it first came out

day bang pdf archive - Apr 30 2022

web sep 10 2014 day bang v introduction when i got in the game in 2001 i focused exclusively on bars and clubs the only times i approached outside those venues was on the street after last call on mostly drunk girls who would simply ignore me i admit that back then i needed both alcohol and loud music to

bang quotes by roosh v goodreads - Jun 01 2022

web bang quotes by roosh v find share quotes with friends join goodreads bang quotes want to read rate this book 1 of 5 stars 2 of 5 stars 3 of 5 stars 4 of 5 stars 5 of 5 stars bang more lays in 60 days by roosh v 531 ratings 3 54 average rating 33 reviews bang quotes showing 1 30 of 142

should you read bang ukraine by roosh v in 2022 youtube - Feb 09 2023

web sep 13 2021 click here for my free checklist 5 biggest mistakes made by westerners on dates in eastern europe 5datingmistakes1 tsarexperience comtsar experi

download day bang by roosh v zlib pub - Dec 27 2021

web download day bang by roosh v day bang pdf download pdf preview click to preview pdf summary download day bang pdf description table of contents

roosh v wikipedia - Mar 30 2022

web rooshv com daryush valizadeh 2 born june 14 1979 1 also known as roosh valizadeh roosh v and roosh vorek is an alt right american blogger 3 and former pickup artist 4 5 valizadeh writes on his personal blog 1 and also owns the return of kings website 6 roosh v forum 7 8 where he published articles by himself