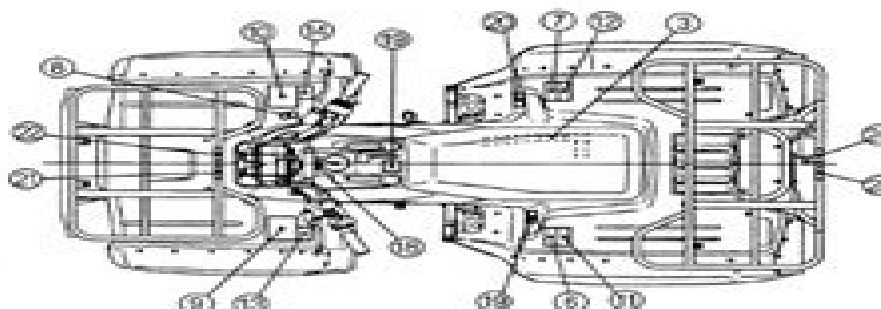
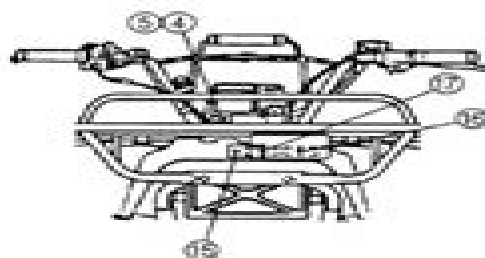
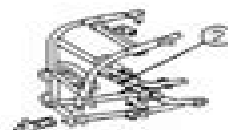
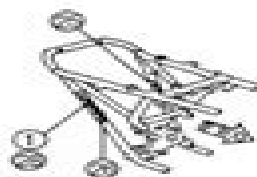


## INFORMATION LABELS

①	Certification plate (For E-03, 24, 30)	⑳	Manual notice label (For E-03, 33)
②	Compliance label (For E-28)	㉑	Maximum-ampereage caution label ①
③	Information label (For E-30)	㉒	Maximum-ampereage caution label ② (For E-28)
④	Gearshift pattern label ① (Except for E-28)	㉓	Fuel caution label (For E-24)
⑤	Gearshift pattern label ①, ② (For E-28)	㉔	Gearshift label ①
⑥	Tire air pressure label ①	㉕	Gearshift label ② (For E-28)
⑦	Tire air pressure label ② (For E-28)	㉖	Front carrier warning label ①
⑧	Attention center plate (For E-28)	㉗	Front carrier warning label ② (For E-28)
⑨	General warning label ①	㉘	Rear carrier warning label ①
⑩	General warning label ② (For E-28)	㉙	Rear carrier warning label ② (For E-28)
⑪	No-passenger warning label ①	㉚	Trailer warning label ①
⑫	No-passenger warning label ② (For E-28)	㉛	Trailer warning label ② (For E-28)
⑬	AGE 16 label ①	㉜	Handle carrier warning label (For E-24)
⑭	AGE 16 label ② (For E-28)	㉝	ICES canada label (For E-28)

①: English

②: French



# Suzuki Quadrunner Lt250f Service Manual

**Matthew Coombs**



## **Suzuki Quadrunner Lt250f Service Manual:**

**Books in Print Supplement** ,2002 **Yamaha PW50 Y-Zinger, PW80 Y-Zinger and BW80 Big Wheel 81-02**  
,2000-05-24 PW50 1981 1983 1985 1987 1990 2002 PW80 1983 1985 1991 2002 BW80 1986 1988 1990 Suzuki LT230 & LT250 85-90 Penton Staff,2000-05-24 LT230S Chain Drive 1985 1988 LT F230G Shaft Drive 1985 1987 LT230G Shaft Drive 1985 1986 LT250S Chain Drive 1989 1990 **Suzuki LT-F250 Service Manual** Suzuki Jidōsha Kōgyō Kabushiki Kaisha. Motorcycle Technical Service Department,1992 *Suzuki LT-A500F Service Manual* Suzuki Jidōsha Kōgyō Kabushiki Kaisha,2001 Suzuki Service Manual, Model TS250R. Suzuki Jidōsha Kōgyō Kabushiki Kaisha. Export Service Section,1971 *Suzuki: Service Manual* Suzuki Motor Corporation (Hamamatsu), **Suzuki Service Manual Suzuki 250 Model** Suzuki Jidōsha Kōgyō Kabushiki Kaisha,1962 **Suzuki GSF600 & 1200 Bandit Fours Service and Repair Manual** Matthew Coombs,1997 Suzuki GSF600 GSF1200 Bandit Fours 1995 97 Shop Manual Haynes Covers 6cc and 12cc models 256 pgs 614 b w ill *Suzuki LT250E Service Manual* Suzuki Jidōsha Kōgyō Kabushiki Kaisha. Service Publishing Department. Overseas Service Division,1984 **Suzuki Service Manual** Suzuki Jidōsha Kōgyō Kabushiki Kaisha. Export Service Section,1971 **Suzuki Service Manual** Suzuki Jidosha Kogyo Kabusjiki Kaisha. International Service Department,197? **Suzuki Service Manual, Model TS 185** Suzuki Jidōsha Kōgyō Kabushiki Kaisha. Export Service Section,1971 *Suzuki Service Manual* Suzuki Jidōsha Kōgyō Kabushiki Kaisha. Export Service Section,1973 *Suzuki GSX-R and Katana GSX-F* John Haynes,1998-01-01 HY SUZ GSX R750 85 96 *Suzuki 250 and 350 Owners Workshop Manual* Jeff Clew,1973-01-01 **Suzuki Service Manual T500-II** Suzuki Motor Co. Ltd,1969 **Suzuki 250-200 Cc Owners Handbook and Service Manual** Suzuki Jidōsha Kōgyō Kabushiki Kaisha,Joseph Floyd Clymer,196? Covers models 250 cc T10 T20 x 6 Hustlers 200 cc T200 x 5 Invader and Sting Ray Scrambler **Suzuki Service Manual** ,1969 Suzuki Service Manual Suzuki Jidōsha Kōgyō Kabushiki Kaisha. Export Service Section,1974

Fuel your quest for knowledge with is thought-provoking masterpiece, Explore **Suzuki Quadrunner Lt250f Service Manual** . This educational ebook, conveniently sized in PDF ( PDF Size: \*), is a gateway to personal growth and intellectual stimulation. Immerse yourself in the enriching content curated to cater to every eager mind. Download now and embark on a learning journey that promises to expand your horizons. .

<http://www.frostbox.com/public/publication/Documents/simpsons%20archive%20episode%20guide.pdf>

## **Table of Contents Suzuki Quadrunner Lt250f Service Manual**

1. Understanding the eBook Suzuki Quadrunner Lt250f Service Manual
  - The Rise of Digital Reading Suzuki Quadrunner Lt250f Service Manual
  - Advantages of eBooks Over Traditional Books
2. Identifying Suzuki Quadrunner Lt250f Service Manual
  - Exploring Different Genres
  - Considering Fiction vs. Non-Fiction
  - Determining Your Reading Goals
3. Choosing the Right eBook Platform
  - Popular eBook Platforms
  - Features to Look for in an Suzuki Quadrunner Lt250f Service Manual
  - User-Friendly Interface
4. Exploring eBook Recommendations from Suzuki Quadrunner Lt250f Service Manual
  - Personalized Recommendations
  - Suzuki Quadrunner Lt250f Service Manual User Reviews and Ratings
  - Suzuki Quadrunner Lt250f Service Manual and Bestseller Lists
5. Accessing Suzuki Quadrunner Lt250f Service Manual Free and Paid eBooks
  - Suzuki Quadrunner Lt250f Service Manual Public Domain eBooks
  - Suzuki Quadrunner Lt250f Service Manual eBook Subscription Services
  - Suzuki Quadrunner Lt250f Service Manual Budget-Friendly Options

6. Navigating Suzuki Quadrunner Lt250f Service Manual eBook Formats
  - ePub, PDF, MOBI, and More
  - Suzuki Quadrunner Lt250f Service Manual Compatibility with Devices
  - Suzuki Quadrunner Lt250f Service Manual Enhanced eBook Features
7. Enhancing Your Reading Experience
  - Adjustable Fonts and Text Sizes of Suzuki Quadrunner Lt250f Service Manual
  - Highlighting and Note-Taking Suzuki Quadrunner Lt250f Service Manual
  - Interactive Elements Suzuki Quadrunner Lt250f Service Manual
8. Staying Engaged with Suzuki Quadrunner Lt250f Service Manual
  - Joining Online Reading Communities
  - Participating in Virtual Book Clubs
  - Following Authors and Publishers Suzuki Quadrunner Lt250f Service Manual
9. Balancing eBooks and Physical Books Suzuki Quadrunner Lt250f Service Manual
  - Benefits of a Digital Library
  - Creating a Diverse Reading Collection Suzuki Quadrunner Lt250f Service Manual
10. Overcoming Reading Challenges
  - Dealing with Digital Eye Strain
  - Minimizing Distractions
  - Managing Screen Time
11. Cultivating a Reading Routine Suzuki Quadrunner Lt250f Service Manual
  - Setting Reading Goals Suzuki Quadrunner Lt250f Service Manual
  - Carving Out Dedicated Reading Time
12. Sourcing Reliable Information of Suzuki Quadrunner Lt250f Service Manual
  - Fact-Checking eBook Content of Suzuki Quadrunner Lt250f Service Manual
  - Distinguishing Credible Sources
13. Promoting Lifelong Learning
  - Utilizing eBooks for Skill Development
  - Exploring Educational eBooks
14. Embracing eBook Trends
  - Integration of Multimedia Elements

- Interactive and Gamified eBooks

### **Suzuki Quadrunner Lt250f Service Manual Introduction**

In this digital age, the convenience of accessing information at our fingertips has become a necessity. Whether its research papers, eBooks, or user manuals, PDF files have become the preferred format for sharing and reading documents. However, the cost associated with purchasing PDF files can sometimes be a barrier for many individuals and organizations. Thankfully, there are numerous websites and platforms that allow users to download free PDF files legally. In this article, we will explore some of the best platforms to download free PDFs. One of the most popular platforms to download free PDF files is Project Gutenberg. This online library offers over 60,000 free eBooks that are in the public domain. From classic literature to historical documents, Project Gutenberg provides a wide range of PDF files that can be downloaded and enjoyed on various devices. The website is user-friendly and allows users to search for specific titles or browse through different categories. Another reliable platform for downloading Suzuki Quadrunner Lt250f Service Manual free PDF files is Open Library. With its vast collection of over 1 million eBooks, Open Library has something for every reader. The website offers a seamless experience by providing options to borrow or download PDF files. Users simply need to create a free account to access this treasure trove of knowledge. Open Library also allows users to contribute by uploading and sharing their own PDF files, making it a collaborative platform for book enthusiasts. For those interested in academic resources, there are websites dedicated to providing free PDFs of research papers and scientific articles. One such website is Academia.edu, which allows researchers and scholars to share their work with a global audience. Users can download PDF files of research papers, theses, and dissertations covering a wide range of subjects. Academia.edu also provides a platform for discussions and networking within the academic community. When it comes to downloading Suzuki Quadrunner Lt250f Service Manual free PDF files of magazines, brochures, and catalogs, Issuu is a popular choice. This digital publishing platform hosts a vast collection of publications from around the world. Users can search for specific titles or explore various categories and genres. Issuu offers a seamless reading experience with its user-friendly interface and allows users to download PDF files for offline reading. Apart from dedicated platforms, search engines also play a crucial role in finding free PDF files. Google, for instance, has an advanced search feature that allows users to filter results by file type. By specifying the file type as "PDF," users can find websites that offer free PDF downloads on a specific topic. While downloading Suzuki Quadrunner Lt250f Service Manual free PDF files is convenient, its important to note that copyright laws must be respected. Always ensure that the PDF files you download are legally available for free. Many authors and publishers voluntarily provide free PDF versions of their work, but its essential to be cautious and verify the authenticity of the source before downloading Suzuki Quadrunner Lt250f Service Manual. In conclusion, the internet offers numerous platforms and websites that allow users to download free

PDF files legally. Whether its classic literature, research papers, or magazines, there is something for everyone. The platforms mentioned in this article, such as Project Gutenberg, Open Library, Academia.edu, and Issuu, provide access to a vast collection of PDF files. However, users should always be cautious and verify the legality of the source before downloading Suzuki Quadrunner Lt250f Service Manual any PDF files. With these platforms, the world of PDF downloads is just a click away.

### FAQs About Suzuki Quadrunner Lt250f Service Manual Books

1. Where can I buy Suzuki Quadrunner Lt250f Service Manual books? Bookstores: Physical bookstores like Barnes & Noble, Waterstones, and independent local stores. Online Retailers: Amazon, Book Depository, and various online bookstores offer a wide range of books in physical and digital formats.
2. What are the different book formats available? Hardcover: Sturdy and durable, usually more expensive. Paperback: Cheaper, lighter, and more portable than hardcovers. E-books: Digital books available for e-readers like Kindle or software like Apple Books, Kindle, and Google Play Books.
3. How do I choose a Suzuki Quadrunner Lt250f Service Manual book to read? Genres: Consider the genre you enjoy (fiction, non-fiction, mystery, sci-fi, etc.). Recommendations: Ask friends, join book clubs, or explore online reviews and recommendations. Author: If you like a particular author, you might enjoy more of their work.
4. How do I take care of Suzuki Quadrunner Lt250f Service Manual books? Storage: Keep them away from direct sunlight and in a dry environment. Handling: Avoid folding pages, use bookmarks, and handle them with clean hands. Cleaning: Gently dust the covers and pages occasionally.
5. Can I borrow books without buying them? Public Libraries: Local libraries offer a wide range of books for borrowing. Book Swaps: Community book exchanges or online platforms where people exchange books.
6. How can I track my reading progress or manage my book collection? Book Tracking Apps: Goodreads, LibraryThing, and Book Catalogue are popular apps for tracking your reading progress and managing book collections. Spreadsheets: You can create your own spreadsheet to track books read, ratings, and other details.
7. What are Suzuki Quadrunner Lt250f Service Manual audiobooks, and where can I find them? Audiobooks: Audio recordings of books, perfect for listening while commuting or multitasking. Platforms: Audible, LibriVox, and Google Play Books offer a wide selection of audiobooks.
8. How do I support authors or the book industry? Buy Books: Purchase books from authors or independent bookstores.

Reviews: Leave reviews on platforms like Goodreads or Amazon. Promotion: Share your favorite books on social media or recommend them to friends.

9. Are there book clubs or reading communities I can join? Local Clubs: Check for local book clubs in libraries or community centers. Online Communities: Platforms like Goodreads have virtual book clubs and discussion groups.
10. Can I read Suzuki Quadrunner Lt250f Service Manual books for free? Public Domain Books: Many classic books are available for free as they're in the public domain. Free E-books: Some websites offer free e-books legally, like Project Gutenberg or Open Library.

### **Find Suzuki Quadrunner Lt250f Service Manual :**

*simpsons archive episode guide*

*sister a novel*

**sitecom cn 133 telephones owners manual**

**siswati igcse 2014 marking scheme november**

sixth grade spiraling review week key

singer model 2662 manual

singer 467 instruction manual

**single mans guide to phuket thailand**

singer futura 2000 manual

six word essay lesson

sins of our fathers

sin savage a romantic suspense novel english edition

**sims pets psguide book**

*situationships relationship poems and short stories*

sirius 2 satellite radios owners manual

### **Suzuki Quadrunner Lt250f Service Manual :**

**10 authentic italian vegetarian cookbooks recipe books** - Sep 09 2022

web mar 16 2021 the complete italian vegetarian cookbook 350 essential recipes for inspired everyday eating no products found don't think just buy shree d cohen this cookbook is a uniquely accessible collection that draws together the best 350



vegetarian recipes of italy in all

**the complete italian vegetarian cookbook google books** - Feb 14 2023

web sep 9 1997 the complete italian vegetarian cookbook 350 essential recipes for inspired everyday eating jack bishop

harpercollins sep 9 1997 cooking 552 pages this uniquely accessible collection

*the complete italian vegetarian cookbook 350 essential* - May 17 2023

web the complete italian vegetarian cookbook 350 essential recipes for inspired everyday eating bishop jack stratton ann

amazon com au books

**the complete italian vegetarian cookbook 350 essential** - Dec 12 2022

web from the complete italian vegetarian cookbook 350 essential recipes for inspired everyday eating by jack bishop

categories appetizers starters italian ingredients thyme cherry tomatoes dried red pepper flakes mozzarella cheese 0

[amazon com customer reviews the complete italian vegetarian cookbook](#) - Apr 16 2023

web the complete italian vegetarian cookbook 350 essential recipes for customer reviews read more one person found this

helpful sign in to filter reviews 144 total ratings 98 with reviews from the united states anna good recipes but reviewed in the

united states on august 16 2022 verified purchase

*the complete italian vegetarian cookbook 350 essential etsy* - May 05 2022

web the complete italian vegetarian cookbook 350 essential recipes for inspired everyday eating letters to my daughter baby

keepsake gift to my daughter journal notebook tradition gift from mother as you grow diary baby girl by

misterscribblesadvertisement from shop misterscribblesmisterscribblesfrom shop misterscribbles

[the complete italian vegetarian cookbook 350 esse ebay](#) - Mar 15 2023

web aug 9 2023 this uniquely accessible collection draws together the best vegetarian recipes of italy 350 in all pasta and

pizza may be italy s most eye catching exports but it is the country s varied and sensible use of vegetables that provides the

best inspiration for american cooks writes jack bishop

**the complete italian vegetarian cookbook 350 esse copy** - Mar 03 2022

web edition of the complete idiot s guide to learning italian is the first choice for a whole new generation of enthusiastic

students of italian this updated edition includes two new quick references on verbs grammar and sentence structure two new

appendixes on italian synonyms and popular idiomatic phrases and updated business and money

**the complete italian vegetarian cookbook 350 essential** - Sep 21 2023

web sep 9 1997 the complete italian vegetarian cookbook 350 essential recipes for inspired everyday eating bishop jack

stratton ann 9781576300442 amazon com books cookbooks food wine regional international buy new 24 17 list price

37 50 save 13 33 36 3 99 delivery tuesday october 17 details

**the complete italian vegetarian cookbook google books** - Jan 13 2023

web the complete italian vegetarian cookbook 350 essential recipes for inspired everyday eating jack bishop cookery italian 568 pages this uniquely accessible collection draws together the

[the 11 best vegetarian cookbooks of 2023 the spruce eats](#) - Oct 10 2022

web mar 8 2023 the 10 best cookbooks for kids of 2023 final verdict the title of the complete vegetarian cookbook absolutely does not lie this comprehensive guide is our top recommendation for creative southern classics sans meat the recently published vegetarian soul food cookbook is our favorite new book

**the complete italian vegetarian cookbook 350 essential recipes** - Jul 19 2023

web the complete italian vegetarian cookbook 350 essential recipes for inspired everyday eating bishop jack 1963 free download borrow and streaming internet archive by bishop jack 1963 publication date 1997 topics vegetarian cooking cooking italian publisher boston houghton mifflin collection

**the complete italian vegetarian cookbook 350 esse pdf 2023** - Apr 04 2022

web the complete italian vegetarian cookbook 350 esse pdf introduction the complete italian vegetarian cookbook 350 esse pdf 2023

[the complete italian vegetarian cookbook 350 essential](#) - Aug 08 2022

web oct 1 2022 find many great new used options and get the best deals for the complete italian vegetarian cookbook 350 essential recipes for inspired at the best online prices at ebay free shipping for many products

*the complete italian vegetarian cookbook the veggie table* - Nov 11 2022

web the 350 recipes are divided into 16 chapters antipasto marinated olives herbed cheese spread rosemary nuts potato fritters with parmesan soups roasted yellow pepper soup potato and zucchini soup butternut squash with parmesan and sage

*the complete italian vegetarian cookbook 350 the* - Jul 07 2022

web the complete italian vegetarian cookbook 350 essential recipes for inspired everyday eating jack bishop with ann stratton 552 pages first pub 1997 isbn uid 9781576300442 format hardcover language english publisher rux martin houghton mifflin harcourt publication date not

**the complete italian vegetarian cookbook 350 essential** - Aug 20 2023

web sep 9 1997 the complete italian vegetarian cookbook 350 essential recipes for inspired everyday eating jack bishop ann stratton photographs 4 14 444 ratings 21 reviews this uniquely accessible collection draws

**the complete italian vegetarian cookbook 350 esse ebay** - Jun 06 2022

web apr 16 2023 find many great new used options and get the best deals for the complete italian vegetarian cookbook 350 esse at the best online prices at ebay free shipping for many products

*complete italian vegetarian cookbook 350 essential recipes for* - Oct 22 2023

web complete italian vegetarian cookbook 350 essential recipes for inspired everyday eating bishop jack amazon sg books

complete italian vegetarian cookbook 350 essential recipes for - Jun 18 2023

web buy complete italian vegetarian cookbook 350 essential recipes for inspired everyday eating by bishop jack isbn

9781576300442 from amazon s book store everyday low prices and free delivery on eligible orders

**winter blues revised edition everything you need 2023** - Dec 28 2022

web now in a revised and expanded second edition this bestselling guide provides expert information and clear cut strategies for assessing and treating internalizing problems in

romeo and juliet wikipedia - Jan 17 2022

web romeo and juliet is a tragedy written by william shakespeare early in his career about the romance between two italian youths from feuding families it was among shakespeare s

**2023 11 05 eucc worship service by eden united church of** - Apr 19 2022

web 2023 11 05 eucc worship service

**winter blues revised edition everything you need to know to** - Jun 21 2022

web plus free two day shipping for six months when you sign up for amazon prime for students winter blues revised edition everything you need to know to beat seasonal

*winter blues revised edition everything you need 2023* - Jul 03 2023

web winter blues revised edition everything you need 1 winter blues revised edition everything you need red white royal blue helping students overcome

**winter blues revised edition everything you need to know to** - Sep 24 2022

web buy winter blues revised edition everything you need to know to beat seasonal affective disorder paperback book by norman e rosenthal from as low as 4 88

winter blues everything you need to know to beat seasonal - May 01 2023

web find many great new used options and get the best deals for winter blues everything you need to know to beat seasonal affective disorder by norman e rosenthal 2012

**request a song mysetmusic com ajs online facebook** - May 21 2022

web live from aj s request a song mysetmusic com ajs online request a song mysetmusic com ajs online

**winter blues revised edition everything you need to know to** - Jul 23 2022

web buy winter blues revised edition everything you need to know to beat seasonal affective disorder by norman e rosenthal md online at alibris we have new and used

**winter blues everything you need to know to beat seasonal** - Jan 29 2023

web 4th edition picking up this book is the first step toward feeling more energized productive and alive all year long norman e rosenthal md is internationally recognized for his

*winter blues everything you need to know to beat* - Jun 02 2023

web jan 1 2012 winter blues everything you need to know to beat seasonal affective disorder norman e rosenthal guilford press jan 1 2012 self help 353 pages in

**winter blues revised edition everything you need to know to** - Mar 19 2022

web product details asin b006nznzbw customer reviews 4 4 26 ratings about the author follow authors to get new release updates plus improved recommendations norman

*winter blues everything you need to know to beat seasonal* - Aug 24 2022

web sep 17 2012 the new york times when the dark days of winter approach do you feel sluggish and slow is it a struggle to get out of bed each morning do you have

**winter blues revised edition everything you need to know to** - Nov 26 2022

web in this no nonsense up to date survival kit for weathering the winter blues dr norman rosenthal explains what causes seasonal mood swings and what you can do about

*winter blues revised edition everything you need to know to* - Dec 16 2021

web winter blues revised edition everything you need to know to beat seasonal affective disorder on amazon com free shipping on qualifying offers winter blues revised

*winter blues revised edition everything you need michael* - Feb 27 2023

web winter blues revised edition everything you need yeah reviewing a ebook winter blues revised edition everything you need could increase your close contacts

**winter blues revised edition everything you need to know to** - Sep 05 2023

web sep 21 2005 winter blues revised edition everything you need to know to beat seasonal affective disorder 9781593851163 medicine health science books

**winter blues revised edition everything you need to know** - Mar 31 2023

web winter blues revised edition everything you need to know to beat seasonal affective disorder hardcover rosenthal norman e 3 94 avg rating 252 ratings by

*winter blues revised edition everything you* - Oct 06 2023

web dec 11 2022 winter blues revised edition everything you need to know to beat seasonal affective disorder by norman e rosenthal brand new

[9781593852146 winter blues revised edition everything you](#) - Feb 15 2022

web sep 16 2006 winter blues revised edition everything you need to know to beat seasonal affective disorder by norman e rosenthal md the guilford press used

[editions of winter blues everything you need to know to beat](#) - Aug 04 2023

web winter blues revised edition everything you need to know to beat seasonal affective disorder kindle edition published september 16th 2006 by the guilford press

**winter blues revised edition everything you need to know to** - Oct 26 2022

web sep 21 2005 winter blues revised edition everything you need to know to beat seasonal affective disorder by norman e rosenthal md 3 4 write a review paperback

**moh family medicine exam mcqs prometric exam questions** - Apr 21 2022

web family medicine book prometric exam mcq questions 2020 dha prometric family medicine exam mcqs prometric exam mcqs prometric pearson mcqs in family medicine doctors how to crack prometric exam fast dha haad moh

**prometric mcq family medicine esource svb com** - Feb 17 2022

web buy urology prometric exam mcqs for your upcoming exam best study materials for dha moh haad dhcc smle omsb qchp and nhra success guaranteed family medicine book prometric exam mcq questions 2023 rated 5 00 out of 5 02

[dha family medicine exam mcqs prometric exam questions](#) - Nov 16 2021

web for foreign nurses those who are interested to work in saudi arabia oman and qatar are required to qualified the prometric exam for nurses in the oman prometric and saudi qatar exam for nurses examinees are given two and half hours to finish 70 and 100

**prometric exam mcqs group family medicine questions for** - Jun 23 2022

web uae ministry of health moh family medicine exam mcqs to prepare for moh family medicine prometric exam uae ministry of health moh family medicine exam questions are loaded in self assessment application online total mcqs over 2300

[best family medicine prometric exam mcq 2023 rag sure](#) - Sep 26 2022

web aug 4 2019 medical mcq4all is high yield materials made produce to get the best results for various exams for gp doctors like dha haad moh omsb smle qchp dhcc nhra medical mcq and prometric mcq medicalmcq4all com 91 96873

[prometric exam preparation book family medicine medical](#) - Jan 31 2023

web international mcqs questions in family medicine download mcqs questions in family medicine download more 7500 mcqs with answers and explanations help you to pass your intrenational exam in family medicine instant download international mcqs

[download prometric mcqs questions in family medicine](#) - Jul 05 2023

web download prometric mcqs exams prometric mcqs in family medicine our mcqs are updated 2023 all the questions with answers and explanations help you to pass your exam sle haad moh haad saudi board oman medical speciality

**family medicine mcqs prometric solutions** - Oct 28 2022

web family medicine family medicine prometric exam questions mcqs to prepare for dha exam dubai dhcc exam dubai haad exam abu dhabi moh exam uae scfhs exam smle exam saudi arabia omsb oman qchp qatar exam

**moh family medicine exam mcqs mohexammcq** - Jan 19 2022

web prometricmcq.com has compiled the most common family medicine mcqs on this website so you can get better prepared dha exam for family medicine dha family medicine exam questions for dha exam get dha family medicine license by [prometric mcqs in family medicine pearsonprometric](#) - Dec 30 2022

web family medicine mcqs prometric exam questions to prepare for dha exam dubai dhcc exam dubai haad exam abu dhabi moh exam uae scfhs exam smle exam saudi arabia omsb oman qchp qatar exam nhra exam bahrain

*prometric mcqs exam for nurses 12 app store* - Sep 14 2021

**family medicine mcqs dha prometric** - Oct 16 2021

**family medicine ifeets medical examination and prometric** - Aug 26 2022

web family medicine questions for prometric exams prometricexammcq.com product category subject family medicine dubai health authority

**download prometric mcqs exams prometric mcqs in family** - May 03 2023

web we provide a wide range of prometric exam questions mcqs to prepare for dha exam dhcc exam haad exam and others for an affordable price buy prometric exam packages right now

*medical mcq and prometric mcq medicalmcq4all.com* - Jul 25 2022

web download more 7500 mcqs with answers and explanations help you to pass your international exam in family medicine instant download international mcqs questions in family medicine

*family medicine prometric exam practice mcqs online* - Oct 08 2023

web multiple choice questions mcq s package for dha moh dhcc haad sle omsb qchp nhra and schfs test in gulf countries updated questions with correct answers and explanations assessment and mock exams family medicine exam for 2023 price

**family medicine mcqs exam prometric exam** - Aug 06 2023

web family medicine multiple choice questions mcq s package for dha moh dhcc haad sle omsb qchp nhra and schfs test in gulf countries updated questions with correct answers and explanations assessment and mock exams family medicine

[international mcqs questions in family medicine mcqs prometric](#) - Nov 28 2022

web jan 2 2014 family medicine prometric exam mcq book offers a wide variety of mcqs to help you prepare for exams such as the dha moh dhcc haad omsb smle scfhs qchp and nhra looking to ace your family medicine prometric exam

**family medicine mcqs prometric exam questions** - Sep 07 2023

web download prometric and pearson vue mcqs questions in family medicine doh familymed doh licensure examination for family medicine minsistry of health oral questions viva for family medicine moh oman 39 00 moh kuwait mcqs kmle in

**family medicine prometric exam practice mcqs online 2023** - Jun 04 2023

web prometric pearson vue mcqs questions in family medicine haad questions in family medicine oral viva moh oman family medicine oman prometric questions omsb in family medicine qatar prometric questions sch in family medicine saudi

*prometric mcqs in family medicine download mcqs* - Apr 02 2023

web the largest mcq previous exam solved question with the most authentic and updated prometric exam study material mcqs as per the real exam pattern with unlimited real time mock test exams for doctors nurses allied health customized to prepare for

[prometric exam questions prometricmcq.com](#) - Mar 01 2023

web more 7000 mcqs voulme 1 2 3 4 with answers and explanations help you to pass your exam in family medicine sle scfhs dha dhcc haad moh uae haad saudi board oman medical speciality board oral viva oman qchp nhra bahrain moh

**best urology prometric exam mcqs solved questions 2023** - Dec 18 2021

web family medicine dha prometric exam questions mcqs to prepare for dha exam dubai dubai health authority dhcc exam dubai dubai healthcare city authority haad exam abu dhabi health authority abu dhabi moh exam uae ministry of health

[international mcqs questions in family medicine](#) - May 23 2022

web kindly say the mcqs for prometric exam family medicine is universally compatible with any devices to read child health nursing jane w ball 2018 04 23 for courses in pediatric nursing a comprehensive survey of family centered pediatric nursing care child health

**mcqs for prometric exam family medicine conrad fischer pdf** - Mar 21 2022

web moh family medicine exam mcqs 99 00 149 00 34 status in stock mcqs to prepare for dha family medicine prometric exam dha exam mcqs consists of 10 practice exam sets each dha exam practice set contains 100 mcqs exam practice