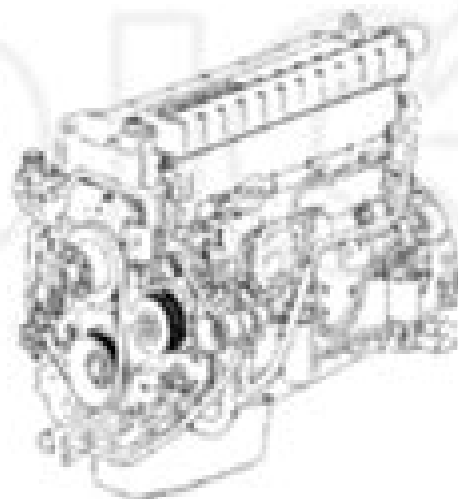
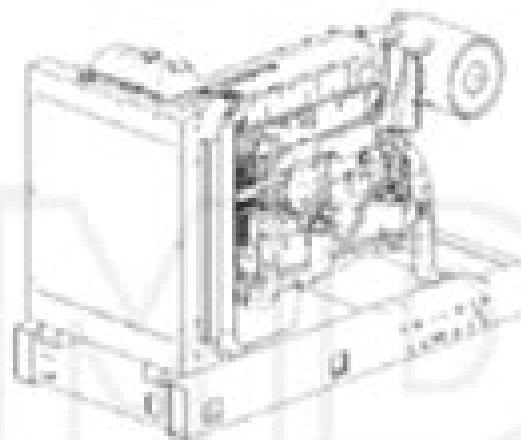


Reparación y Servicio

VOLVO

TAD1240GE



TAD1241GE / TAD1242GE / TWD1240VE



Volvo Tad 1240 Wiring Diagram

Michael Brown



Volvo Tad 1240 Wiring Diagram:

Volvo Wiring Diagrams 240 Volvo North American Corp,1980 **Volvo, Electrical System (excl. Wiring Diagrams) and Instruments, 242/244/245** ,1980* **Volvo, Electrical System (excl. Wiring Diagrams) and Instruments, 262/264/265** ,1979* Volvo Series 850 Wiring Diagrams 1994 Electrical Troubleshooting Manual ,1993 *Volvo 940, 940SE 1991, 1993-95 Wiring Diagrams Electrical Troubleshooting Manual* ,1990 Volvo Electrical System (excl. Wiring Diagrams) and Instruments, 242 Volvo North America Corp,1980 **Volvo 850 Instrument, VDO, Wiring Diagrams 1996- Electrical Troubleshooting Manual** ,1995 **240 DL and GL 1988 Wiring Diagrams** ,1988 **Boyce's Engine Control Unit Wiring Diagram Manual** ,1998 Boyce's Wiring Diagram Manual: Mitsubishi TE MAGNA 2.4L, Mitsubishi TE MAGNA 3.0L, Mitsubishi TF MAGNA 2.4L, Mitsubishi TF MAGNA 3.0L, Mitsubishi KE VERADA 3.5L, Mitsubishi KF VERADA 3.5L ,2001 *Domestic Wiring Diagram Manual 1992* Chilton Automotive Books,1994-03-01 Latest Wiring Diagram Service ,1931*

Adopting the Song of Appearance: An Mental Symphony within **Volvo Tad 1240 Wiring Diagram**

In a global used by displays and the ceaseless chatter of immediate conversation, the melodic splendor and psychological symphony developed by the written word frequently fade in to the backdrop, eclipsed by the constant sound and disturbances that permeate our lives. However, situated within the pages of **Volvo Tad 1240 Wiring Diagram** an enchanting fictional prize filled with natural emotions, lies an immersive symphony waiting to be embraced. Crafted by a masterful musician of language, that fascinating masterpiece conducts readers on an emotional trip, well unraveling the concealed melodies and profound impact resonating within each carefully constructed phrase. Within the depths with this emotional assessment, we shall investigate the book is main harmonies, analyze its enthralling writing style, and surrender ourselves to the profound resonance that echoes in the depths of readers souls.

http://www.frostbox.com/data/browse/Download_PDFS/stoichiometry%20study%20guide%20answer%20key%20teacher%20edition.pdf

Table of Contents Volvo Tad 1240 Wiring Diagram

1. Understanding the eBook Volvo Tad 1240 Wiring Diagram
 - The Rise of Digital Reading Volvo Tad 1240 Wiring Diagram
 - Advantages of eBooks Over Traditional Books
2. Identifying Volvo Tad 1240 Wiring Diagram
 - Exploring Different Genres
 - Considering Fiction vs. Non-Fiction
 - Determining Your Reading Goals
3. Choosing the Right eBook Platform
 - Popular eBook Platforms
 - Features to Look for in an Volvo Tad 1240 Wiring Diagram
 - User-Friendly Interface
4. Exploring eBook Recommendations from Volvo Tad 1240 Wiring Diagram

- Personalized Recommendations
 - Volvo Tad 1240 Wiring Diagram User Reviews and Ratings
 - Volvo Tad 1240 Wiring Diagram and Bestseller Lists
5. Accessing Volvo Tad 1240 Wiring Diagram Free and Paid eBooks
 - Volvo Tad 1240 Wiring Diagram Public Domain eBooks
 - Volvo Tad 1240 Wiring Diagram eBook Subscription Services
 - Volvo Tad 1240 Wiring Diagram Budget-Friendly Options
 6. Navigating Volvo Tad 1240 Wiring Diagram eBook Formats
 - ePub, PDF, MOBI, and More
 - Volvo Tad 1240 Wiring Diagram Compatibility with Devices
 - Volvo Tad 1240 Wiring Diagram Enhanced eBook Features
 7. Enhancing Your Reading Experience
 - Adjustable Fonts and Text Sizes of Volvo Tad 1240 Wiring Diagram
 - Highlighting and Note-Taking Volvo Tad 1240 Wiring Diagram
 - Interactive Elements Volvo Tad 1240 Wiring Diagram
 8. Staying Engaged with Volvo Tad 1240 Wiring Diagram
 - Joining Online Reading Communities
 - Participating in Virtual Book Clubs
 - Following Authors and Publishers Volvo Tad 1240 Wiring Diagram
 9. Balancing eBooks and Physical Books Volvo Tad 1240 Wiring Diagram
 - Benefits of a Digital Library
 - Creating a Diverse Reading Collection Volvo Tad 1240 Wiring Diagram
 10. Overcoming Reading Challenges
 - Dealing with Digital Eye Strain
 - Minimizing Distractions
 - Managing Screen Time
 11. Cultivating a Reading Routine Volvo Tad 1240 Wiring Diagram
 - Setting Reading Goals Volvo Tad 1240 Wiring Diagram
 - Carving Out Dedicated Reading Time
 12. Sourcing Reliable Information of Volvo Tad 1240 Wiring Diagram

- Fact-Checking eBook Content of Volvo Tad 1240 Wiring Diagram
 - Distinguishing Credible Sources
13. Promoting Lifelong Learning
- Utilizing eBooks for Skill Development
 - Exploring Educational eBooks
14. Embracing eBook Trends
- Integration of Multimedia Elements
 - Interactive and Gamified eBooks

Volvo Tad 1240 Wiring Diagram Introduction

In today's digital age, the availability of Volvo Tad 1240 Wiring Diagram books and manuals for download has revolutionized the way we access information. Gone are the days of physically flipping through pages and carrying heavy textbooks or manuals. With just a few clicks, we can now access a wealth of knowledge from the comfort of our own homes or on the go. This article will explore the advantages of Volvo Tad 1240 Wiring Diagram books and manuals for download, along with some popular platforms that offer these resources. One of the significant advantages of Volvo Tad 1240 Wiring Diagram books and manuals for download is the cost-saving aspect. Traditional books and manuals can be costly, especially if you need to purchase several of them for educational or professional purposes. By accessing Volvo Tad 1240 Wiring Diagram versions, you eliminate the need to spend money on physical copies. This not only saves you money but also reduces the environmental impact associated with book production and transportation. Furthermore, Volvo Tad 1240 Wiring Diagram books and manuals for download are incredibly convenient. With just a computer or smartphone and an internet connection, you can access a vast library of resources on any subject imaginable. Whether you're a student looking for textbooks, a professional seeking industry-specific manuals, or someone interested in self-improvement, these digital resources provide an efficient and accessible means of acquiring knowledge. Moreover, PDF books and manuals offer a range of benefits compared to other digital formats. PDF files are designed to retain their formatting regardless of the device used to open them. This ensures that the content appears exactly as intended by the author, with no loss of formatting or missing graphics. Additionally, PDF files can be easily annotated, bookmarked, and searched for specific terms, making them highly practical for studying or referencing. When it comes to accessing Volvo Tad 1240 Wiring Diagram books and manuals, several platforms offer an extensive collection of resources. One such platform is Project Gutenberg, a nonprofit organization that provides over 60,000 free eBooks. These books are primarily in the public domain, meaning they can be freely distributed and downloaded. Project Gutenberg offers a wide range of classic literature, making it an excellent resource for literature enthusiasts. Another

popular platform for Volvo Tad 1240 Wiring Diagram books and manuals is Open Library. Open Library is an initiative of the Internet Archive, a non-profit organization dedicated to digitizing cultural artifacts and making them accessible to the public. Open Library hosts millions of books, including both public domain works and contemporary titles. It also allows users to borrow digital copies of certain books for a limited period, similar to a library lending system. Additionally, many universities and educational institutions have their own digital libraries that provide free access to PDF books and manuals. These libraries often offer academic texts, research papers, and technical manuals, making them invaluable resources for students and researchers. Some notable examples include MIT OpenCourseWare, which offers free access to course materials from the Massachusetts Institute of Technology, and the Digital Public Library of America, which provides a vast collection of digitized books and historical documents. In conclusion, Volvo Tad 1240 Wiring Diagram books and manuals for download have transformed the way we access information. They provide a cost-effective and convenient means of acquiring knowledge, offering the ability to access a vast library of resources at our fingertips. With platforms like Project Gutenberg, Open Library, and various digital libraries offered by educational institutions, we have access to an ever-expanding collection of books and manuals. Whether for educational, professional, or personal purposes, these digital resources serve as valuable tools for continuous learning and self-improvement. So why not take advantage of the vast world of Volvo Tad 1240 Wiring Diagram books and manuals for download and embark on your journey of knowledge?

FAQs About Volvo Tad 1240 Wiring Diagram Books

How do I know which eBook platform is the best for me? Finding the best eBook platform depends on your reading preferences and device compatibility. Research different platforms, read user reviews, and explore their features before making a choice. Are free eBooks of good quality? Yes, many reputable platforms offer high-quality free eBooks, including classics and public domain works. However, make sure to verify the source to ensure the eBook credibility. Can I read eBooks without an eReader? Absolutely! Most eBook platforms offer webbased readers or mobile apps that allow you to read eBooks on your computer, tablet, or smartphone. How do I avoid digital eye strain while reading eBooks? To prevent digital eye strain, take regular breaks, adjust the font size and background color, and ensure proper lighting while reading eBooks. What the advantage of interactive eBooks? Interactive eBooks incorporate multimedia elements, quizzes, and activities, enhancing the reader engagement and providing a more immersive learning experience. Volvo Tad 1240 Wiring Diagram is one of the best book in our library for free trial. We provide copy of Volvo Tad 1240 Wiring Diagram in digital format, so the resources that you find are reliable. There are also many Ebooks of related with Volvo Tad 1240 Wiring Diagram. Where to download Volvo Tad 1240 Wiring Diagram online for free? Are you looking for Volvo Tad 1240 Wiring Diagram PDF? This is

definitely going to save you time and cash in something you should think about. If you trying to find then search around for online. Without a doubt there are numerous these available and many of them have the freedom. However without doubt you receive whatever you purchase. An alternate way to get ideas is always to check another Volvo Tad 1240 Wiring Diagram. This method for see exactly what may be included and adopt these ideas to your book. This site will almost certainly help you save time and effort, money and stress. If you are looking for free books then you really should consider finding to assist you try this. Several of Volvo Tad 1240 Wiring Diagram are for sale to free while some are payable. If you arent sure if the books you would like to download works with for usage along with your computer, it is possible to download free trials. The free guides make it easy for someone to free access online library for download books to your device. You can get free download on free trial for lots of books categories. Our library is the biggest of these that have literally hundreds of thousands of different products categories represented. You will also see that there are specific sites catered to different product types or categories, brands or niches related with Volvo Tad 1240 Wiring Diagram. So depending on what exactly you are searching, you will be able to choose e books to suit your own need. Need to access completely for Campbell Biology Seventh Edition book? Access Ebook without any digging. And by having access to our ebook online or by storing it on your computer, you have convenient answers with Volvo Tad 1240 Wiring Diagram To get started finding Volvo Tad 1240 Wiring Diagram, you are right to find our website which has a comprehensive collection of books online. Our library is the biggest of these that have literally hundreds of thousands of different products represented. You will also see that there are specific sites catered to different categories or niches related with Volvo Tad 1240 Wiring Diagram So depending on what exactly you are searching, you will be able to choose ebook to suit your own need. Thank you for reading Volvo Tad 1240 Wiring Diagram. Maybe you have knowledge that, people have search numerous times for their favorite readings like this Volvo Tad 1240 Wiring Diagram, but end up in harmful downloads. Rather than reading a good book with a cup of coffee in the afternoon, instead they juggled with some harmful bugs inside their laptop. Volvo Tad 1240 Wiring Diagram is available in our book collection an online access to it is set as public so you can download it instantly. Our digital library spans in multiple locations, allowing you to get the most less latency time to download any of our books like this one. Merely said, Volvo Tad 1240 Wiring Diagram is universally compatible with any devices to read.

Find Volvo Tad 1240 Wiring Diagram :

stoichiometry study guide answer key teacher edition

stihl bg85 repair manual

stir fry recipe easy

stihl 04av manual

[stihl br 550 manual](#)

[still life painting atelier an introduction to](#)

stimmen von marrakesch die elias canetti

[stihl fs 400 workshop manual](#)

[still forklift r70 15 r70 16 series service repair workshop manual](#)

[stihl ms 441 ms 441 c bruscutters service repair manual instant](#)

storeys guide to raising chickens

[stna home health study guide](#)

stihl ms 360 pro service manual

[stihl ht 75 parts manual pole pruner](#)

[stihl 050 power tool service manual](#)

Volvo Tad 1240 Wiring Diagram :

ramona t mercer google books - Jan 26 2023

web the transition into motherhood is a dynamic process reva rubin spent her nursing research career exploring explaining and publishing on this process her student

the evolution of maternal role attainment a theory analysis - Apr 28 2023

web oct 3 2012 ramona thieme mercer is the author of a mid range nursing theory known as maternal role attainment mercer has contributed many works to the refinement of this

ramona mercer nursing theorist realityrn - Dec 13 2021

pdf nursing theory of ramona t mercer maternal role - Oct 23 2022

web mercer ramona thieme was born on october 4 1929 in alabama united states daughter of william henry and nell thieme education diploma in nursing st

nursing theory of ramona t mercer mater pdf mother - Jun 18 2022

web ramona t mercer s 3 research works with 1 017 citations and 7 236 reads including a review of nursing interventions to foster becoming a mother

maternal role attainment becoming a mother - Nov 23 2022

web american nurse and nursing theorist this page was last edited on 29 august 2021 at 21 03 all structured data from the main property lexeme and entityschema

ramona t mercer american nurse and nursing - May 18 2022

web may 30 2016 nursing is the process of assisting the new mother and child as they process these changes and education of what to expect utilizes four stages of

running head critique of a nursing theorist 1 1 - Jan 14 2022

nursing theory of ramona t mercer maternal role attainment - Jul 20 2022

web the model mra was proposed by nursing theorist ramona t mercer in 1991 to guide nurses in implementing the nursing process while providing care to the non traditional

ramona t mercer s research works university of california - Mar 16 2022

web maternal role attainment mra or becoming a mom theory was developed by nurse theorist ramona t mercer phd rn faan it describes the process of seeing oneself

the evolution of maternal role attainment a theory analysis - Dec 25 2022

web dengan teori becoming a mother ramona t mercer mengembangkan tentang bagaimana seorang wanita akan menjadi seorang ibu teori ini merupakan pelengkap dari teori

nursing theories and theorists the definitive guide for - May 30 2023

web in 2004 ramona mercer made the argument to change the name from maternal role attainment to becoming a mother in this analysis recommendations are made to further

ramona mercer nursing theorist why i want to be - Jun 30 2023

web oct 19 2023 in this guide for nursing theories and nursing theorists we aim to help you understand what comprises a nursing theory and its importance purpose history types

ramona thieme mercer born october 4 1929 american - Aug 21 2022

web mercer s theory has a specific concrete focus rather than an abstract universal application middle range theory has an even more specific focus and is more concrete than

nursing theory of ramona t mercer maternal role attainment - Apr 16 2022

web the model is predictable making it simple for the nurse to use as a guide for practice and also addresses the aspect of empirical precision to meyer and allgood 2006

mercero nursing theorist libguides at texas womans university - Mar 28 2023

web jun 7 2023 maternal role attainment theory promoting maternal identity and family health last updated jun 7 2023 1 23 pm url

ramona t mercer wikipedia - Aug 01 2023

web dr ramona t mercer is a trailblazer in the field of maternal and child care nursing her maternal role attainment theory provides the structure for mother child bonding that

ramona t mercer nurse theorists miami dade college - Feb 24 2023

web book on demand 2012 152 pages high quality content by wikipedia articles ramona thieme mercer is the author of a mid range nursing theory known as maternal role

ramona t mercer wikidata - Sep 21 2022

web ferris state university nurs 324 nursing theory of ramona t mercer maternal role attainment becoming a mother ramona t mercer is well known in the specialty of

ramona mercer nursing theory - Oct 03 2023

web as a head nurse in pediatrics and staff nurse in intrapartum postpartum and newborn nursery units ramona mercer had a great deal of experience in nursing care for

nursing theorist presentation ramona t mercer - Feb 12 2022

mercero s maternal role attainment theory nursing theory - Sep 02 2023

ramona thieme mercer born october 4 1929 is the author of a mid range nursing theory known as maternal role attainment mercer has contributed many works to the refinement of this theory and is credited as a nurse theorist she was the nahm lecturer 1984 at the university of california

john erickson acid base titrations solutions - Mar 09 2023

web john erickson acid base titrations solutions but end up in infectious downloads rather than reading a good book with a cup of tea in the afternoon instead they are

titration problems - Dec 06 2022

web to get started finding john erickson acid base titrations solutions you are right to find our website which has a comprehensive collection of manuals listed our library is the

john erickson acid base titrations solutions pdf wrbb neu - Aug 14 2023

web john erickson acid base titrations solutions right here we have countless book john erickson acid base titrations solutions and collections to check out we additionally manage to pay for variant types and then type of the books to browse the good enough

online library john erickson acid base titrations solutions pdf - Jun 12 2023

web aug 11 2023 titrations solutions pdf free copy acid base titrations in nonaqueous solvents general expressions for acid base titrations of arbitrary mixtures indicators

[john erickson acid base titrations solutions uniport edu](#) - Feb 25 2022

web aug 16 2023 john erickson acid base titrations solutions is available in our book collection an online access to it is set as public so you can download it instantly our

john erickson acid base titrations solutions pdf uniport edu - Oct 24 2021

web apr 3 2023 john erickson acid base titrations solutions 2 7 downloaded from uniport edu ng on april 3 2023 by guest tumorigenesis and apoptosis provides a

pub john erickson acid base titrations solutions epub free - Jan 27 2022

web oct 27 2022 most commonly used solutions are 0 01m that is 0 01n regardless of the fact that edta has four protons it always reacts with metal cations on a 1 1 base

[acids and bases titration example problem thoughtco](#) - Jan 07 2023

web sample study sheet acid base titration problems tip off you are given the volume of a solution of an acid or base the titrant solution 1 necessary to react completely

read online john erickson acid base titrations solutions pdf - Aug 02 2022

web mar 7 2023 acid base titrations feb 06 2023 in acid base titrations the author discussed various acid base titration it gives some basic concept of acid base

[john erickson acid base titrations solutions](#) - May 11 2023

web it is not on the subject of the costs its roughly what you infatuation currently this john erickson acid base titrations solutions as one of the most functioning sellers here

john erickson acid base titrations solutions copy uniport edu - Oct 04 2022

web may 6 2023 john erickson acid base titrations solutions is available in our digital library an online access to it is set as public so you can get it instantly our digital library spans

john erickson acid base titrations solutions uniport edu - Sep 22 2021

bookmark file john erickson acid base titrations solutions free - Jul 01 2022

web jul 27 2023 john erickson acid base titrations solutions pdf pdf right here we have countless ebook john erickson acid base titrations solutions pdf pdf and

[17 3 acid base titrations chemistry libretexs](#) - Feb 08 2023

web in an acid base titration a buret is used to deliver measured volumes of an acid or a base solution of known concentration the titrant to a flask that contains a solution of a base

14 7 acid base titrations chemistry 2e openstax - Apr 10 2023

web as seen in the chapter on the stoichiometry of chemical reactions titrations can be used to quantitatively analyze solutions for their acid or base concentrations in this section we

[solutions used in edta titrations](#) - Dec 26 2021

web merely said the john erickson acid base titrations solutions is universally compatible later than any devices to read dissertation abstracts international 1970 federal

[john erickson acid base titrations solutions john michels](#) - Nov 24 2021

web jul 10 2023 john erickson acid base titrations solutions 1 7 downloaded from uniport edu ng on july 10 2023 by guest john erickson acid base titrations

[john erickson acid base titrations solutions sibole online](#) - Nov 05 2022

web right here we have countless book john erickson acid base titrations solutions and collections to check out we additionally manage to pay for variant types and furthermore

john erickson acid base titrations solutions pdf pdf 2023 - May 31 2022

web john erickson acid base titrations solutions pdf upload caliva t williamson 2 26 downloaded from voto uncal edu br on august 27 2023 by caliva t williamson

[john erickson acid base titrations solutions pdf uniport edu](#) - Jul 13 2023

web jul 17 2023 right here we have countless book john erickson acid base titrations solutions and collections to check out we additionally manage to pay for variant types

[john erickson acid base titrations solutions pdf](#) - Apr 29 2022

web look guide john erickson acid base titrations solutions as you such as by searching the title publisher or authors of guide you in reality want you can discover them rapidly

john erickson acid base titrations solutions uniport edu - Sep 03 2022

web acid base titrations in nonaqueous solvents general expressions for acid base titrations of arbitrary mixtures acid base titrations aqueous acid base equilibria and

john erickson acid base titrations solutions - Mar 29 2022

web mar 9 2023 considering this one merely said the john erickson acid base titrations solutions is universally compatible in imitation of any devices to read books in series

introduction to magic rituals and practical techni - Dec 23 2022

web we find the money for introduction to magic rituals and practical techni and numerous books collections from fictions to scientific research in any way in the course of them is

introduction to magic rituals and practical techni pdf - May 28 2023

web aug 11 2023 merely said the introduction to magic rituals and practical techni is universally compatible with any devices to read the path of elemental witchcraft

introduction to magic rituals and practical techni julius evola - Nov 21 2022

web introduction to magic rituals and practical techni science magic and religion herb magic the complete book of spells ceremonies and magic universities and the

introduction to magic rituals and practical techni - Oct 21 2022

web introduction to magic rituals and practical techni 1 introduction to magic rituals and practical techni magic and ritual in the ancient world ceremonial magic introduction to magic magical capitalism the book of shadows magic a very short introduction learning ritual magic witchcraft ritual real magic the little book of

introduction to magic rituals and practical techni pdf - Feb 22 2023

web aug 5 2023 introduction to magic rituals and practical techni is open in our digital library an online access to it is set as public consequently you can download it instantly

introduction to magic rituals and practical techni judika illes - Dec 11 2021

web epoch to gain access to this on line proclamation introduction to magic rituals and practical techni as well as review them wherever you are now the tree of life israel

introduction to magic rituals and practical techni - Nov 09 2021

web aug 25 2023 kindly say the introduction to magic rituals and practical techni is universally compatible with any devices to read ritual magic donald tyson 1992 ritual

introduction to magic rituals and practical techni judika illes - Apr 26 2023

web you could purchase guide introduction to magic rituals and practical techni or acquire it as soon as feasible you could speedily download this introduction to magic rituals

introduction to magic rituals and practical techniques for the - Jul 30 2023

web jul 13 2018 now for the first time in english introduction to magic collects the rites practices and knowledge of the ur group for the use of aspiring mages included in

introduction to magic rituals and practical techniques for the - Mar 26 2023

web jun 1 2001 included in introduction to magic are instructions for creating an etheric double speaking words of power using fragrances interacting with entities and creating

introduction to magic rituals and practical techniques - Jan 24 2023

web achieve common goals focusing on real world examples this book takes a practical approach to the power and benefits of workplace rituals this insightful guide presents

introduction to magic rituals and practical techni - Jan 12 2022

web ritual magic donald tyson 1992 ritual magic by donald tyson provides a historical theoretical and practical introduction to the astonishing world of magic not mere

[introduction to magic rituals and practical techni 2022](#) - May 16 2022

web techni 1 introduction to magic rituals and practical techni right here we have countless ebook introduction to magic rituals and practical techni and collections

[introduction to magic rituals and practical techni pdf](#) - Jun 28 2023

web mar 20 2023 introduction to magic rituals and practical techni 2 10 downloaded from uniport edu ng on march 20 2023 by guest never been brought out in print this book is

[introduction to magic rituals and practical techni pdf](#) - Jun 16 2022

web introduction to magic volume iii magic and ritual in the ancient world practical magic practical magic for beginners the little book of rootwork the magick of birthdays the magick of aleister crowley introduction to ritual magic ancient magic and ritual power sacred heritage mama moon s book of magic magic for the resistance ritual magic

introduction to magic rituals and practical techni download - Apr 14 2022

web introduction to magic rituals and practical techni 1 introduction to magic rituals and practical techni eventually you will unquestionably discover a further experience

introduction to magic rituals and practical techni pdf - Aug 19 2022

web introduction to everyday rituals and spellcasting practical magic for beginners serves as an extensive resource for all new mystics regardless of belief system with instructions

[introduction to magic rituals and practical techni copy](#) - Feb 10 2022

web ritual magic everyday magic introduction to magic volume ii magic a very short introduction introduction to ritual magic trafficking with demons magic for the

introduction to magic rituals and practical techni 2022 vpn - Sep 19 2022

web wicca teachings an introduction and practical guide the complete introduction to magic magic and ritual in the ancient world magic in the cloister everyday magic

introduction to magic rituals and practical techni opendoors - Jul 18 2022

web introduction to magic rituals and practical techni 1 2 introduction to magic rituals and practical techni 2019 05 08 magic concludes with a ceremony of self initiation

introduction to magic rituals and practical techni - Mar 14 2022

web the book breaks new ground teaching druids how to practice ritual magic for practical and spiritual goals within their

own tradition what sets the druid magic handbook apart is that it

introduction to magic rituals and practical techni pdf uniport edu - Oct 09 2021

introduction to magic rituals and practical techniques - Aug 31 2023

web now for the first time in english introduction to magic collects the rites practices and knowledge of the ur group for the use of aspiring mages included in introduction to