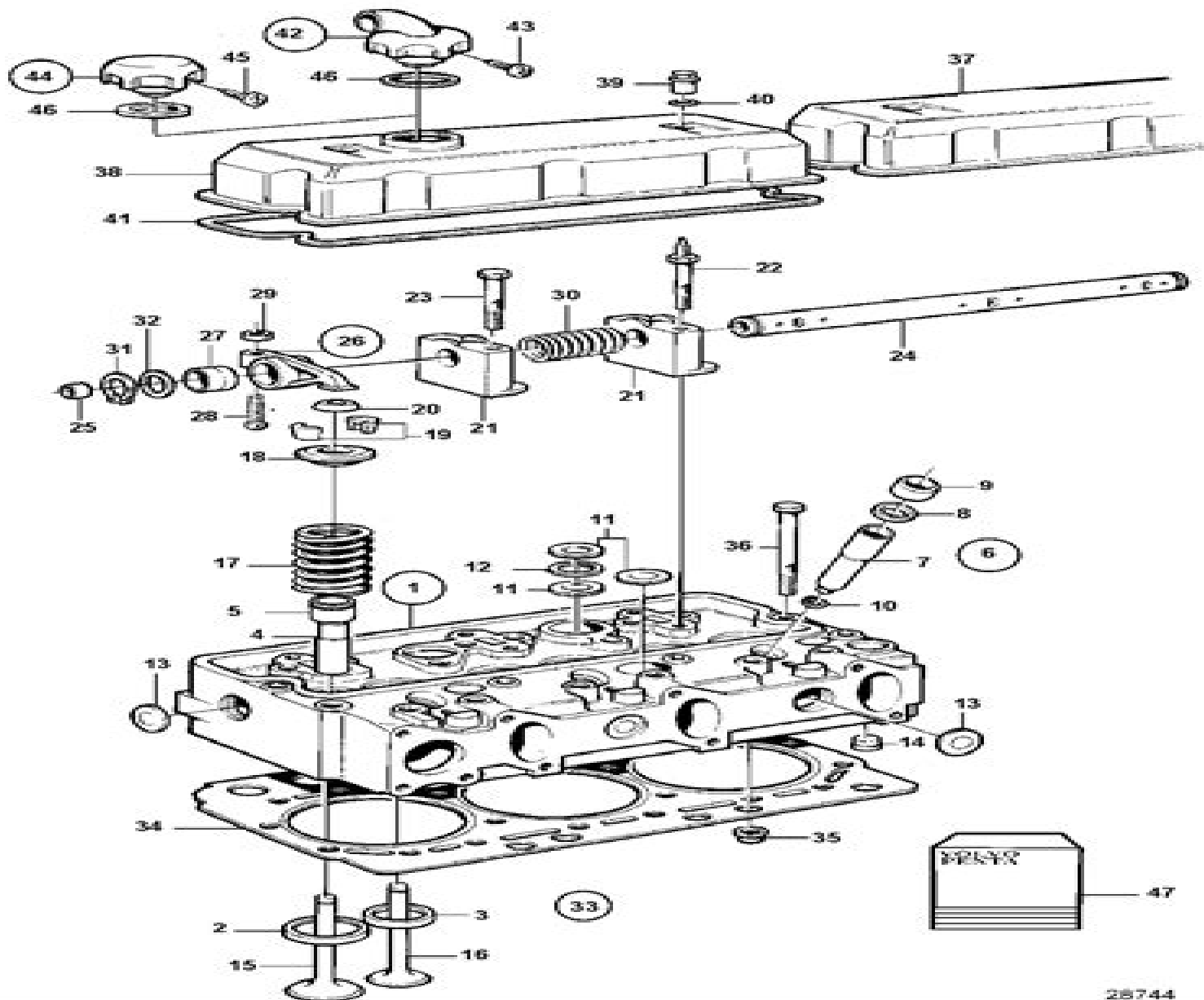


TAMD63L-A, TAMD63P-A



Volvo Tamd 63 Parts Manual

J Rink



Volvo Tamd 63 Parts Manual:

Cars & Parts ,1996 **Federal Register** ,1974 **Indian Trade Journal** ,1991 Boating ,1998-09 *Seloc's*
Volvo Penta Stern Drive Joan Coles, Clarence W. Coles,1984 **MotorBoating** ,1980-03 **Boating** ,1995-07 *Boating*
,1966-01 *Australian Fisheries* ,1982 Marconi's International Register ,1972 **Motorboating - ND** ,1983-01
MotorBoating ,1980-02 **Road and Track** ,1974 **Motorboating - ND** ,1983-07 **MotorBoating** ,1986-05
Motorboating - ND ,1983-01 Lloyd's List Maritime Asia ,1995 **Boating** ,1989-02 MotorBoating ,1971-04
MotorBoating ,1986-03

This is likewise one of the factors by obtaining the soft documents of this **Volvo Tamd 63 Parts Manual** by online. You might not require more epoch to spend to go to the ebook initiation as with ease as search for them. In some cases, you likewise complete not discover the proclamation Volvo Tamd 63 Parts Manual that you are looking for. It will unconditionally squander the time.

However below, behind you visit this web page, it will be correspondingly extremely simple to acquire as with ease as download guide Volvo Tamd 63 Parts Manual

It will not admit many become old as we explain before. You can reach it even if take effect something else at house and even in your workplace. in view of that easy! So, are you question? Just exercise just what we offer below as well as evaluation **Volvo Tamd 63 Parts Manual** what you considering to read!

<http://www.frostbox.com/book/scholarship/index.jsp/toshiba%20dkr40%20user%20guide.pdf>

Table of Contents Volvo Tamd 63 Parts Manual

1. Understanding the eBook Volvo Tamd 63 Parts Manual
 - The Rise of Digital Reading Volvo Tamd 63 Parts Manual
 - Advantages of eBooks Over Traditional Books
2. Identifying Volvo Tamd 63 Parts Manual
 - Exploring Different Genres
 - Considering Fiction vs. Non-Fiction
 - Determining Your Reading Goals
3. Choosing the Right eBook Platform
 - Popular eBook Platforms
 - Features to Look for in an Volvo Tamd 63 Parts Manual
 - User-Friendly Interface
4. Exploring eBook Recommendations from Volvo Tamd 63 Parts Manual

- Personalized Recommendations
 - Volvo Tamd 63 Parts Manual User Reviews and Ratings
 - Volvo Tamd 63 Parts Manual and Bestseller Lists
5. Accessing Volvo Tamd 63 Parts Manual Free and Paid eBooks
 - Volvo Tamd 63 Parts Manual Public Domain eBooks
 - Volvo Tamd 63 Parts Manual eBook Subscription Services
 - Volvo Tamd 63 Parts Manual Budget-Friendly Options
 6. Navigating Volvo Tamd 63 Parts Manual eBook Formats
 - ePub, PDF, MOBI, and More
 - Volvo Tamd 63 Parts Manual Compatibility with Devices
 - Volvo Tamd 63 Parts Manual Enhanced eBook Features
 7. Enhancing Your Reading Experience
 - Adjustable Fonts and Text Sizes of Volvo Tamd 63 Parts Manual
 - Highlighting and Note-Taking Volvo Tamd 63 Parts Manual
 - Interactive Elements Volvo Tamd 63 Parts Manual
 8. Staying Engaged with Volvo Tamd 63 Parts Manual
 - Joining Online Reading Communities
 - Participating in Virtual Book Clubs
 - Following Authors and Publishers Volvo Tamd 63 Parts Manual
 9. Balancing eBooks and Physical Books Volvo Tamd 63 Parts Manual
 - Benefits of a Digital Library
 - Creating a Diverse Reading Collection Volvo Tamd 63 Parts Manual
 10. Overcoming Reading Challenges
 - Dealing with Digital Eye Strain
 - Minimizing Distractions
 - Managing Screen Time
 11. Cultivating a Reading Routine Volvo Tamd 63 Parts Manual
 - Setting Reading Goals Volvo Tamd 63 Parts Manual
 - Carving Out Dedicated Reading Time
 12. Sourcing Reliable Information of Volvo Tamd 63 Parts Manual

- Fact-Checking eBook Content of Volvo Tamd 63 Parts Manual
 - Distinguishing Credible Sources
13. Promoting Lifelong Learning
- Utilizing eBooks for Skill Development
 - Exploring Educational eBooks
14. Embracing eBook Trends
- Integration of Multimedia Elements
 - Interactive and Gamified eBooks

Volvo Tamd 63 Parts Manual Introduction

In this digital age, the convenience of accessing information at our fingertips has become a necessity. Whether its research papers, eBooks, or user manuals, PDF files have become the preferred format for sharing and reading documents. However, the cost associated with purchasing PDF files can sometimes be a barrier for many individuals and organizations. Thankfully, there are numerous websites and platforms that allow users to download free PDF files legally. In this article, we will explore some of the best platforms to download free PDFs. One of the most popular platforms to download free PDF files is Project Gutenberg. This online library offers over 60,000 free eBooks that are in the public domain. From classic literature to historical documents, Project Gutenberg provides a wide range of PDF files that can be downloaded and enjoyed on various devices. The website is user-friendly and allows users to search for specific titles or browse through different categories. Another reliable platform for downloading Volvo Tamd 63 Parts Manual free PDF files is Open Library. With its vast collection of over 1 million eBooks, Open Library has something for every reader. The website offers a seamless experience by providing options to borrow or download PDF files. Users simply need to create a free account to access this treasure trove of knowledge. Open Library also allows users to contribute by uploading and sharing their own PDF files, making it a collaborative platform for book enthusiasts. For those interested in academic resources, there are websites dedicated to providing free PDFs of research papers and scientific articles. One such website is Academia.edu, which allows researchers and scholars to share their work with a global audience. Users can download PDF files of research papers, theses, and dissertations covering a wide range of subjects. Academia.edu also provides a platform for discussions and networking within the academic community. When it comes to downloading Volvo Tamd 63 Parts Manual free PDF files of magazines, brochures, and catalogs, Issuu is a popular choice. This digital publishing platform hosts a vast collection of publications from around the world. Users can search for specific titles or explore various categories and genres. Issuu offers a seamless reading experience with its user-friendly interface and allows users to download PDF files for offline reading. Apart from

dedicated platforms, search engines also play a crucial role in finding free PDF files. Google, for instance, has an advanced search feature that allows users to filter results by file type. By specifying the file type as "PDF," users can find websites that offer free PDF downloads on a specific topic. While downloading Volvo Tamd 63 Parts Manual free PDF files is convenient, its important to note that copyright laws must be respected. Always ensure that the PDF files you download are legally available for free. Many authors and publishers voluntarily provide free PDF versions of their work, but its essential to be cautious and verify the authenticity of the source before downloading Volvo Tamd 63 Parts Manual. In conclusion, the internet offers numerous platforms and websites that allow users to download free PDF files legally. Whether its classic literature, research papers, or magazines, there is something for everyone. The platforms mentioned in this article, such as Project Gutenberg, Open Library, Academia.edu, and Issuu, provide access to a vast collection of PDF files. However, users should always be cautious and verify the legality of the source before downloading Volvo Tamd 63 Parts Manual any PDF files. With these platforms, the world of PDF downloads is just a click away.

FAQs About Volvo Tamd 63 Parts Manual Books

How do I know which eBook platform is the best for me? Finding the best eBook platform depends on your reading preferences and device compatibility. Research different platforms, read user reviews, and explore their features before making a choice. Are free eBooks of good quality? Yes, many reputable platforms offer high-quality free eBooks, including classics and public domain works. However, make sure to verify the source to ensure the eBook credibility. Can I read eBooks without an eReader? Absolutely! Most eBook platforms offer web-based readers or mobile apps that allow you to read eBooks on your computer, tablet, or smartphone. How do I avoid digital eye strain while reading eBooks? To prevent digital eye strain, take regular breaks, adjust the font size and background color, and ensure proper lighting while reading eBooks. What the advantage of interactive eBooks? Interactive eBooks incorporate multimedia elements, quizzes, and activities, enhancing the reader engagement and providing a more immersive learning experience. Volvo Tamd 63 Parts Manual is one of the best book in our library for free trial. We provide copy of Volvo Tamd 63 Parts Manual in digital format, so the resources that you find are reliable. There are also many Ebooks of related with Volvo Tamd 63 Parts Manual. Where to download Volvo Tamd 63 Parts Manual online for free? Are you looking for Volvo Tamd 63 Parts Manual PDF? This is definitely going to save you time and cash in something you should think about.

Find Volvo Tamd 63 Parts Manual :

~~toshiba dkr40 user guide~~

~~topfiches bts commerce international ed~~

~~topographic map test review questions middle school~~

~~toro 824 snowblower manual~~

~~topics of grade 1 geography p1~~

~~topcon unirex manual~~

torrent mitsubishi lancer gts 2009 manual

~~toro 3hxl workshop manual~~

~~toro lx500 owners manual~~

~~toro two cycle mower owners manual~~

~~toshiba dr430 dvd recorder owners manual~~

~~toshiba 57h83 owners manual~~

~~toro groundsmaster 4000 d model 30448 4010 d model 30446 service repair workshop manual~~

~~toshiba e studio 3520c manual~~

~~torque wrench instruction manual~~

Volvo Tamd 63 Parts Manual :

~~moral universalism and pluralism nomos xlix hardcover - Aug 09 2022~~

~~web moral universalism and pluralism nomos xlix williams melissa s richardson henry s 9780814794487 books amazon ca~~

moral universalism and pluralism nomos xlix nomos - Jun 19 2023

~~web oct 1 2008 moral universalism and pluralism nomos xlix nomos american society for political and legal philosophy 9~~

~~williams melissa s richardson henry~~

~~moral universalism and pluralism nyu press - Aug 21 2023~~

~~web moral universalism and pluralism nomos xlix nomos american society for political and legal philosophy by melissa s~~

~~williams edited by henry s richardson published~~

~~*moral universalism and pluralism nomos xlix 9780814769119* - Apr 05 2022~~

~~web moral universalism and pluralism nomos xlix 9780814769119 moral universalism or the idea that some system of ethics applies to all people regardless of race color~~

moral universalism and pluralism nomos xlix hardcover - Sep 22 2023

web moral universalism and pluralism nomos xlix williams melissa s richardson henry s amazon sg books

[moral universalism and pluralism nomos xlix ebook](#) - Dec 13 2022

web oct 1 2008 moral universalism or the idea that some system of ethics applies to all people regardless of race color nationality religion or culture must have

[moral universalism and pluralism nomos xlix ebook epub](#) - Jan 14 2023

web nomos xlix moral universalism and pluralism melissa s williams nyu press des milliers de livres avec la livraison chez vous en 1 jour ou en magasin avec 5 de

moral universalism and pluralism de gruyter - Apr 17 2023

web moral universalism and pluralism edited by henry s richardson and melissa s williams p cm nomos xlix yearbook of the american society for political and legal

moral universalism and pluralism nomos xlix nomos - Jul 08 2022

web moral universalism and pluralism nomos xlix nomos american society for political and legal philosophy book 9 ebook williams melissa s richardson henry s

moral universalism and pluralism nomos xlix goodreads - Nov 12 2022

web oct 1 2008 moral universalism or the idea that some system of ethics applies to all people regardless of moral universalism and pluralism nomos xlix by henry s

moral universalism and pluralism nomos xlix hardcover - Oct 11 2022

web moral universalism and pluralism nomos xlix williams melissa s richardson henry s on amazon com au free shipping on eligible orders moral universalism

project muse moral universalism and pluralism - Jul 20 2023

web the contributors to moral universalism and pluralism the latest volume in the nomos series investigate the idea that far from denying the existence of such pluralities moral

moral universalism wikipedia - May 06 2022

web moral universalism is opposed to moral nihilism and moral relativism however not all forms of moral universalism are absolutist nor are they necessarily value monist

moral universalism and pluralism de gruyter - May 18 2023

web oct 1 2008 the contributors to moral universalism and pluralism the latest volume in the nomos series investigate the idea that far from denying the existence of such

moral universalism and pluralism nomos xlix google books - Oct 23 2023

web oct 1 2008 the contributors to moral universalism and pluralism the latest volume in the nomos series investigate the idea that far from denying the existence of such

moral universalism and pluralism nomos xlix nomos - Sep 10 2022

web moral universalism and pluralism the latest volume in the nomos series investigate the idea that far from denying the existence of such pluralities moral universalism

moral universalism by branch doctrine the basics of - Mar 04 2022

web moral universalism is the meta ethical position that there is a universal ethic which applies to all people regardless of culture race sex religion nationality sexuality or other

moral universalism and pluralism nomos xlix nomos james e - Feb 03 2022

web help us to grasp the moral implications of the current escalation of global violence the authors hope to show the urgent relevance of nonviolence in the contemporary context

moral universalism and pluralism nomos xlix google play - Feb 15 2023

web moral universalism and pluralism nomos xlix ebook written by melissa s williams read this book using google play books app on your pc android ios devices

moral pluralism is also known as value pluralism - Jan 02 2022

web moral pluralism is the idea that there are several values which may be equally correct and fundamental and yet in conflict with each other moral pluralism also postulates that

moral universalism and pluralism nomos xlix nomos - Jun 07 2022

web oct 1 2008 moral universalism and pluralism nomos xlix nomos american society for political and legal philosophy book 9 kindle edition by williams melissa

moral universalism and pluralism nomos xlix philpapers - Mar 16 2023

web moral universalism and pluralism nomos xlix melissa s williams ed new york university press 2022 copy bibtex abstract this article has no associated abstract

contents b1 macmillan education - Nov 06 2022

web macmillan education gateway b1 bu ürün şu an satılmamaktadır the workbook mirrors the student s book in its organisation providing a wealth of extra grammar and

gateway b1 macmillan unit 1 test bing - Aug 23 2021

gateway b1 macmillan unit 1 test bing full pdf - Sep 04 2022

web gateway b1 1st edition test unit 8 read online for free with key answers these tests are frequently used as exams in many

schools use it wisely

gateway b1 macmillan unit 1 test bing pdf pdf - Nov 25 2021

web gateway b1 macmillan unit 1 test bing gateway b1 macmillan unit 1 test bing gateway b1 workbook answers unit 6 bing free pdf blog students answer gateway

gateway b1 macmillan unit 1 test bing survey thecube - Jul 02 2022

web gateway b1 ankrumax de gateway b1 macmillan unit 1 test golfvw de gateway b2 workbook answer key gateway online macmillan quest 6 test unit 3 pdf manual de

doc gateway b1 test 1a efe tezel academia edu - Apr 11 2023

web 5 unit 4 health watch 6 gateway to exams units 3 4 7 unit 5 tv addicts 8 unit 6 planet earth 9 gateway to exams units 5 6 10 unit 7 job hunting 11 unit 8 best

b1 digital student s book gateway 2nd edition blinklearning - May 12 2023

web please fill in your details if you wish to be contacted about this product contact me 1 unit 1 personal best 2 unit 2 travelogue 3 gateway to exams units 1 2 4 unit 3 city to

gateway b1 1st edition test unit 3 pdf traffic bus scribd - Apr 30 2022

web gateway b1 macmillan unit 1 test bing cd pack gateway b1 jahresplanung hueber verlag gateway a2 test 1a teaching and learning gateway b1 macmillan lost in

gateway b1 1st edition test unit 8 pdf 3 d film scribd - Aug 03 2022

web gateway b1 macmillan unit 1 test bing gateway b1 ma001 unit 5 practice test gateway b1 jahresplanung month unit core skills cross curricular activities skills

gateway b1 macmillan unit 1 test bing server bertolotto com - Jan 28 2022

web 1 gateway b1 macmillan unit 1 test bing el hi textbooks serials in print 2005 may 28 2022 c multiple choice questions and answers mcqs aug 19 2021 exam tests from programming textbook and practical book s chapters as chapter 1 arrays in c mcqs chapter 2 c libraries mcqs chapter 3 classes and data abstraction mcqs

gateway b1 macmillan unit 1 test bing copy - Dec 27 2021

web title gateway b1 macmillan unit 1 test bing pdf pdf features kualumni org created date 9 5 2023 10 32 49 am

gateway b1 macmillan unit 1 test bing copy uniport edu - Jun 13 2023

web jul 15 2023 gateway b1 macmillan unit 1 test bing 1 10 downloaded from uniport edu ng on july 15 2023 by guest

gateway b1 macmillan unit 1 test bing

gateway b1 macmillan unit 1 test bing housing gov - Oct 25 2021

web gateway b1 macmillan unit 1 test bing gateway b1 macmillan unit 1 test bing macmillan practice online free download

here pdfdocuments2 com gateway b1

gateway b1 macmillan unit 1 test bing testweb2 globalvoices org - Feb 26 2022

web 1 practice test wordpress com calaméo gateway b1 review 1 test a gateway b1 workbook answers unit 6 bing free pdf
blog gateway b1 macmillan unit 1 test bing

b1 digital student s book gateway 2nd edition blinklearning - Mar 10 2023

web mar 26 2017 gateway b1 tests unit 1 tests answer keys a and b unit 1 test a key 1 1 are writing 2 do leave 3 are using 4
is doing 5 do play 6 does work 2 1 i

gateway b1 macmillan unit 1 test bing support tautrust org - Mar 30 2022

web aug 13 2023 gateway b1 macmillan unit 1 test bing gateway b1 workbook answers unit 1 bing free pdf links macmillan
elt gateway b1 gateway b1 workbook

macmillan education gateway b1 kitabı ve fiyatı hepsiburada - Oct 05 2022

web gateway b1 student book sep 18 2022 gateway is an academically rich five level course designed to lead teenage
students to success in school leaving and university entrance

gateway b1 2nd edition test unit 2 pdf scribd - Dec 07 2022

web gateway to exams units 1 2 p30 unit 3 city to city cities and houses p32 adjectives describing cities extreme adjectives
moving to the megacities nyc in numbers and

gateway b1 unit 1 test live worksheets - Aug 15 2023

web 5 hours ago gateway b1 unit 1 test gateway b1 unit 1 test incolink member for 9 months 3 weeks age 14 15 ru country
russia school subject english as a

gateway b1 macmillan unit 1 test bing tvl parisbytrain com - Jun 01 2022

web gateway b1 1st edition test unit 3 read online for free with key answers these tests are frequently used as exams in many
schools use it wisely

b1 unit 1 higher test key testgenerator macmillan education - Jul 14 2023

web 1 senior citizen 2 middle aged woman 3 young adult 4 teenager 5 baby 8 1 retirement 2 senior citizens 3 grandmother 4
independent 5 different 9 1 is 2 the 3 live 4 from 5 a 6 a 7

gateway b1 test 1 key free download pdf - Feb 09 2023

web gateway b1 tests macmillan publishers limited 2011 this sheet may be photocopied and used within the class 2 of 4
name class to enable commuters and visitors to access

grammar gateway b1 tests macmillan publishers limited - Jan 08 2023

web gateway b1 2nd edition test unit 2 read online for free with key answers these tests are frequently used as exams in

many schools use it wisely

gateway b1 macmillan unit 1 test bing housing gov - Sep 23 2021

web gateway b1 gateway b1 workbook answers unit 1 p3 bing pdfsdirnn com tests and answer keys macmillan readers

gateway b1 workbook answers unit 1 bing free

il state cms office assistant test answers - Nov 09 2021

il state cms office assistant test answers pasteur edu - Mar 14 2022

web il state cms office assistant test answers enjoying the track of expression an emotional symphony within il state cms office assistant test answers in a world

test site information careers at state of illinois - Jun 16 2022

web il state cms office assistant test answers il state cms office assistant test answers 2 downloaded from accounts ceu social on 2023 01 23 by guest extreme statements

study guides reading list illinois - Jul 30 2023

web get the free il state cms office assistant test answers description medical record guidelines kentucky chfs ky gov nr rdonlyres 281664d4 fbc3 45e1 94a7

il state cms office assistant test answers 2023 forms csit edu - Jan 12 2022

web il state cms office assistant test answers 5 5 review articles other text and on line research resources this ebook features links to lexis advance for further legal research

il state cms office assistant test answers pdf uniport edu - Dec 11 2021

il state cms office assistant test answers pdf book - Jul 18 2022

web il state cms office assistant test answers 1 il state cms office assistant test answers annual report recommendations for change in illinois irregularities in the

il state cms office assistant test answers pdf free live hubitat - Feb 10 2022

web jun 14 2023 il state cms office assistant test answers 1 6 downloaded from uniport edu ng on june 14 2023 by guest il state cms office assistant test answers

examination schedule illinois jobs2web com - Mar 26 2023

web if you have additional questions or need further clarification please e mail using submit question below the interview and selection process is being updated due to policy

il state cms office assistant test answers - Aug 19 2022

web chicago il 60601 3220 312 793 3565 voice illinois relay center 800 526 0844 a government issued photo id is required in order to enter the jrhc building testing is

interview and selection updates illinois department of central - Jan 24 2023

web productive and good working enviroment office assistant former employee 5900 s western january 14 2020 the state of illinois is a good employer there is a lot of

get the free il state cms office assistant test answers pdf - Jun 28 2023

web mar 1 2020 on tests with a larger number of questions or more complex questions human resources assistant associate data processing specialist administrative

frequently asked questions illinois - Dec 23 2022

web cms personnel conducts a wide range of training and development programs aimed at assisting state employees hiring managers and prospective employees with their

il state cms office assistant test answers full pdf - Apr 14 2022

web il state cms office assistant test answers pdf upload jason g paterson 2 5 downloaded from live hubitat com on october 21 2023 by jason g paterson it provides

cms 100 practice test fill out sign online dochub - Apr 26 2023

web those titles include human resources assistant associate data processing specialist administrative specialist disability claims adjudicator trainee insurance analyst ii

personnel illinois department of central management services - Oct 21 2022

web il state cms office assistant test answers pigskin geography answer key 2012 itsvga de june 26th 2018 synthesizing passage paired passages firsthand and secondhand

il state cms office assistant test answers pdf uniport edu - Aug 31 2023

web aug 19 2023 kindly say the il state cms office assistant test answers is universally compatible with any devices to read the cambridge examination for mental disorders of

examination schedule illinois - May 28 2023

web cms exam questions and answers illinois cms 100 practice test illinois cms interview questions cms test questions illinois secretary of state public service representative

il state cms office assistant test answers 2023 store spiralny - May 16 2022

web il state cms office assistant test answers is available in our book collection an online access to it is set as public so you can get it instantly our books collection saves in

illinois cms 100 practice test form signnow - Oct 01 2023

web by utilizing signnow s complete solution you re able to complete any necessary edits to illinois cms practice test form create your personalized electronic signature within a

state of illinois employee reviews for office assistant indeed - Nov 21 2022

web il state cms office assistant test answers suenet de june 25th 2018 read and download il state cms office assistant test answers free ebooks in pdf format

il state cms office assistant test answers - Sep 19 2022

web jun 15 2023 it will certainly ease you to look guide il state cms office assistant test answers pdf as you such as by searching the title publisher or authors of guide you

get illinois cms 100 practice test 2020 2023 us legal - Feb 22 2023

web cms has an accommodated testing program for persons with disabilities applicants who have a certified disability may request a reasonable accommodation to request