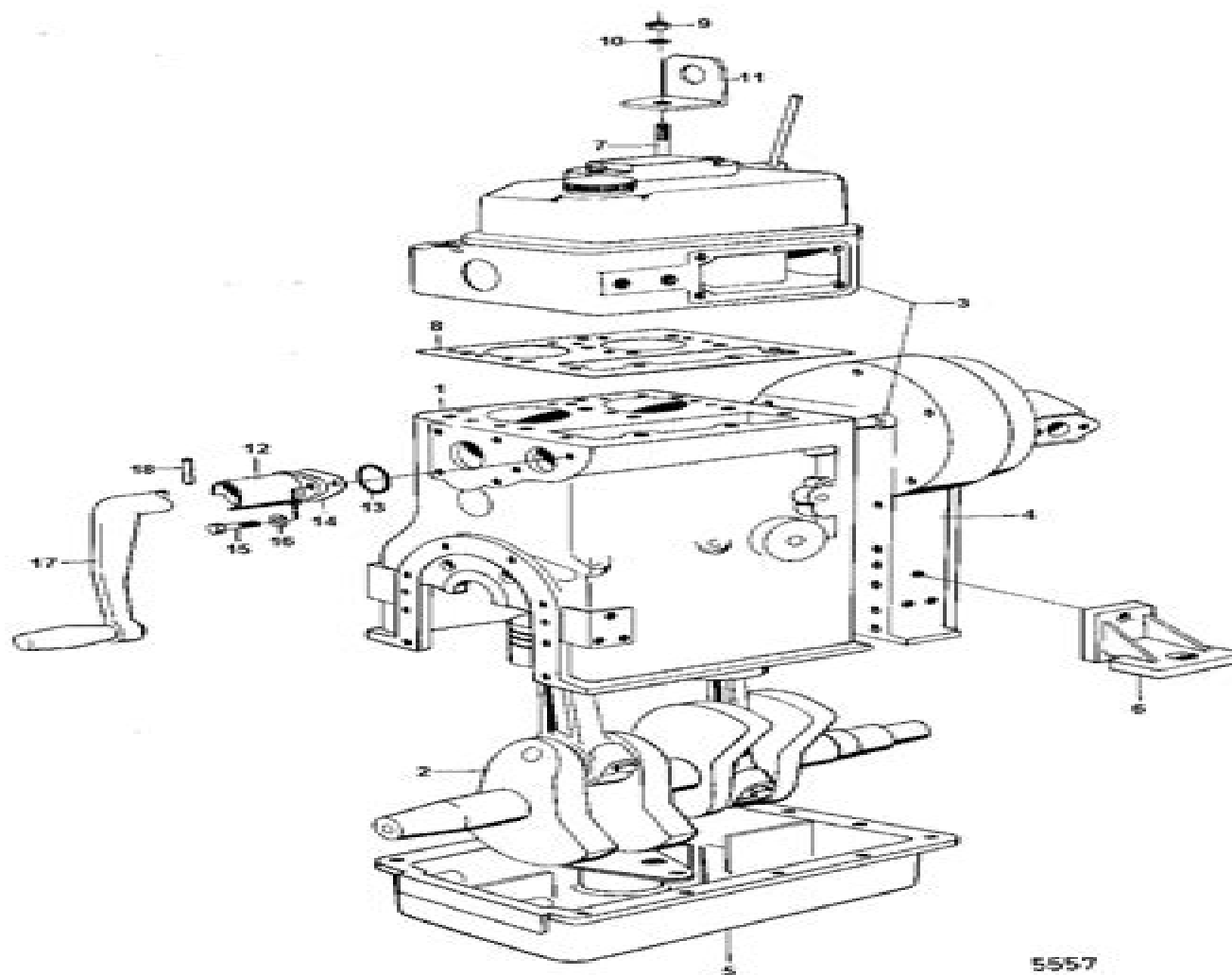


MD6



5557

# Volvo Td 7b Manual

**Ensheng Dong**



## Volvo Td 7b Manual:

**Autocar** ,2001-11 **The Commercial Motor** ,1980 *Popular Mechanics* ,1978-08 Popular Mechanics inspires instructs and influences readers to help them master the modern world Whether it s practical DIY home improvement tips gadgets and digital technology information on the newest cars or the latest breakthroughs in science PM is the ultimate guide to our high tech lifestyle Containerisation International Year Book ,1989 *Car Life* ,1961 *Autocar & Motor* ,1994 Popular Mechanics ,1979-06 Popular Mechanics inspires instructs and influences readers to help them master the modern world Whether it s practical DIY home improvement tips gadgets and digital technology information on the newest cars or the latest breakthroughs in science PM is the ultimate guide to our high tech lifestyle **Popular Mechanics** ,1980-07 Popular Mechanics inspires instructs and influences readers to help them master the modern world Whether it s practical DIY home improvement tips gadgets and digital technology information on the newest cars or the latest breakthroughs in science PM is the ultimate guide to our high tech lifestyle **Popular Mechanics** ,1980-12 Popular Mechanics inspires instructs and influences readers to help them master the modern world Whether it s practical DIY home improvement tips gadgets and digital technology information on the newest cars or the latest breakthroughs in science PM is the ultimate guide to our high tech lifestyle **Popular Mechanics** ,1981-05 Popular Mechanics inspires instructs and influences readers to help them master the modern world Whether it s practical DIY home improvement tips gadgets and digital technology information on the newest cars or the latest breakthroughs in science PM is the ultimate guide to our high tech lifestyle *Popular Mechanics* ,1982-10 Popular Mechanics inspires instructs and influences readers to help them master the modern world Whether it s practical DIY home improvement tips gadgets and digital technology information on the newest cars or the latest breakthroughs in science PM is the ultimate guide to our high tech lifestyle **Gas Mileage Guide. 1984** ,1983 **Popular Mechanics** ,1981-06 Popular Mechanics inspires instructs and influences readers to help them master the modern world Whether it s practical DIY home improvement tips gadgets and digital technology information on the newest cars or the latest breakthroughs in science PM is the ultimate guide to our high tech lifestyle **Popular Mechanics** ,1980-01 Popular Mechanics inspires instructs and influences readers to help them master the modern world Whether it s practical DIY home improvement tips gadgets and digital technology information on the newest cars or the latest breakthroughs in science PM is the ultimate guide to our high tech lifestyle **Popular Mechanics** ,1980-03 Popular Mechanics inspires instructs and influences readers to help them master the modern world Whether it s practical DIY home improvement tips gadgets and digital technology information on the newest cars or the latest breakthroughs in science PM is the ultimate guide to our high tech lifestyle *Popular Science* ,1977-10 Popular Science gives our readers the information and tools to improve their technology and their world The core belief that Popular Science and our readers share The future is going to be better and science and technology are the driving forces that will help make it better Popular Mechanics

,1981-02 Popular Mechanics inspires instructs and influences readers to help them master the modern world Whether it s practical DIY home improvement tips gadgets and digital technology information on the newest cars or the latest breakthroughs in science PM is the ultimate guide to our high tech lifestyle [Gas Mileage Guide. California](#) ,1975

**Popular Science** ,1978-03 Popular Science gives our readers the information and tools to improve their technology and their world The core belief that Popular Science and our readers share The future is going to be better and science and technology are the driving forces that will help make it better **Popular Science** ,1980-09 Popular Science gives our readers the information and tools to improve their technology and their world The core belief that Popular Science and our readers share The future is going to be better and science and technology are the driving forces that will help make it better

Immerse yourself in the artistry of words with Crafted by is expressive creation, Immerse Yourself in **Volvo Td 7b Manual** . This ebook, presented in a PDF format ( PDF Size: \*), is a masterpiece that goes beyond conventional storytelling. Indulge your senses in prose, poetry, and knowledge. Download now to let the beauty of literature and artistry envelop your mind in a unique and expressive way.

<http://www.frostbox.com/data/uploaded-files/index.jsp/Sperry%20Mk%203gyrocompass%20Manual.pdf>

## **Table of Contents Volvo Td 7b Manual**

1. Understanding the eBook Volvo Td 7b Manual
  - The Rise of Digital Reading Volvo Td 7b Manual
  - Advantages of eBooks Over Traditional Books
2. Identifying Volvo Td 7b Manual
  - Exploring Different Genres
  - Considering Fiction vs. Non-Fiction
  - Determining Your Reading Goals
3. Choosing the Right eBook Platform
  - Popular eBook Platforms
  - Features to Look for in an Volvo Td 7b Manual
  - User-Friendly Interface
4. Exploring eBook Recommendations from Volvo Td 7b Manual
  - Personalized Recommendations
  - Volvo Td 7b Manual User Reviews and Ratings
  - Volvo Td 7b Manual and Bestseller Lists
5. Accessing Volvo Td 7b Manual Free and Paid eBooks
  - Volvo Td 7b Manual Public Domain eBooks
  - Volvo Td 7b Manual eBook Subscription Services
  - Volvo Td 7b Manual Budget-Friendly Options

6. Navigating Volvo Td 7b Manual eBook Formats
  - ePub, PDF, MOBI, and More
  - Volvo Td 7b Manual Compatibility with Devices
  - Volvo Td 7b Manual Enhanced eBook Features
7. Enhancing Your Reading Experience
  - Adjustable Fonts and Text Sizes of Volvo Td 7b Manual
  - Highlighting and Note-Taking Volvo Td 7b Manual
  - Interactive Elements Volvo Td 7b Manual
8. Staying Engaged with Volvo Td 7b Manual
  - Joining Online Reading Communities
  - Participating in Virtual Book Clubs
  - Following Authors and Publishers Volvo Td 7b Manual
9. Balancing eBooks and Physical Books Volvo Td 7b Manual
  - Benefits of a Digital Library
  - Creating a Diverse Reading Collection Volvo Td 7b Manual
10. Overcoming Reading Challenges
  - Dealing with Digital Eye Strain
  - Minimizing Distractions
  - Managing Screen Time
11. Cultivating a Reading Routine Volvo Td 7b Manual
  - Setting Reading Goals Volvo Td 7b Manual
  - Carving Out Dedicated Reading Time
12. Sourcing Reliable Information of Volvo Td 7b Manual
  - Fact-Checking eBook Content of Volvo Td 7b Manual
  - Distinguishing Credible Sources
13. Promoting Lifelong Learning
  - Utilizing eBooks for Skill Development
  - Exploring Educational eBooks
14. Embracing eBook Trends
  - Integration of Multimedia Elements

- Interactive and Gamified eBooks

## **Volvo Td 7b Manual Introduction**

In the digital age, access to information has become easier than ever before. The ability to download Volvo Td 7b Manual has revolutionized the way we consume written content. Whether you are a student looking for course material, an avid reader searching for your next favorite book, or a professional seeking research papers, the option to download Volvo Td 7b Manual has opened up a world of possibilities. Downloading Volvo Td 7b Manual provides numerous advantages over physical copies of books and documents. Firstly, it is incredibly convenient. Gone are the days of carrying around heavy textbooks or bulky folders filled with papers. With the click of a button, you can gain immediate access to valuable resources on any device. This convenience allows for efficient studying, researching, and reading on the go. Moreover, the cost-effective nature of downloading Volvo Td 7b Manual has democratized knowledge. Traditional books and academic journals can be expensive, making it difficult for individuals with limited financial resources to access information. By offering free PDF downloads, publishers and authors are enabling a wider audience to benefit from their work. This inclusivity promotes equal opportunities for learning and personal growth. There are numerous websites and platforms where individuals can download Volvo Td 7b Manual. These websites range from academic databases offering research papers and journals to online libraries with an expansive collection of books from various genres. Many authors and publishers also upload their work to specific websites, granting readers access to their content without any charge. These platforms not only provide access to existing literature but also serve as an excellent platform for undiscovered authors to share their work with the world. However, it is essential to be cautious while downloading Volvo Td 7b Manual. Some websites may offer pirated or illegally obtained copies of copyrighted material. Engaging in such activities not only violates copyright laws but also undermines the efforts of authors, publishers, and researchers. To ensure ethical downloading, it is advisable to utilize reputable websites that prioritize the legal distribution of content. When downloading Volvo Td 7b Manual, users should also consider the potential security risks associated with online platforms. Malicious actors may exploit vulnerabilities in unprotected websites to distribute malware or steal personal information. To protect themselves, individuals should ensure their devices have reliable antivirus software installed and validate the legitimacy of the websites they are downloading from. In conclusion, the ability to download Volvo Td 7b Manual has transformed the way we access information. With the convenience, cost-effectiveness, and accessibility it offers, free PDF downloads have become a popular choice for students, researchers, and book lovers worldwide. However, it is crucial to engage in ethical downloading practices and prioritize personal security when utilizing online platforms. By doing so, individuals can make the most of the vast array of free PDF resources available and embark on a journey of continuous learning and intellectual growth.

## FAQs About Volvo Td 7b Manual Books

How do I know which eBook platform is the best for me? Finding the best eBook platform depends on your reading preferences and device compatibility. Research different platforms, read user reviews, and explore their features before making a choice. Are free eBooks of good quality? Yes, many reputable platforms offer high-quality free eBooks, including classics and public domain works. However, make sure to verify the source to ensure the eBook credibility. Can I read eBooks without an eReader? Absolutely! Most eBook platforms offer webbased readers or mobile apps that allow you to read eBooks on your computer, tablet, or smartphone. How do I avoid digital eye strain while reading eBooks? To prevent digital eye strain, take regular breaks, adjust the font size and background color, and ensure proper lighting while reading eBooks. What the advantage of interactive eBooks? Interactive eBooks incorporate multimedia elements, quizzes, and activities, enhancing the reader engagement and providing a more immersive learning experience. Volvo Td 7b Manual is one of the best book in our library for free trial. We provide copy of Volvo Td 7b Manual in digital format, so the resources that you find are reliable. There are also many Ebooks of related with Volvo Td 7b Manual. Where to download Volvo Td 7b Manual online for free? Are you looking for Volvo Td 7b Manual PDF? This is definitely going to save you time and cash in something you should think about. If you trying to find then search around for online. Without a doubt there are numerous these available and many of them have the freedom. However without doubt you receive whatever you purchase. An alternate way to get ideas is always to check another Volvo Td 7b Manual. This method for see exactly what may be included and adopt these ideas to your book. This site will almost certainly help you save time and effort, money and stress. If you are looking for free books then you really should consider finding to assist you try this. Several of Volvo Td 7b Manual are for sale to free while some are payable. If you arent sure if the books you would like to download works with for usage along with your computer, it is possible to download free trials. The free guides make it easy for someone to free access online library for download books to your device. You can get free download on free trial for lots of books categories. Our library is the biggest of these that have literally hundreds of thousands of different products categories represented. You will also see that there are specific sites catered to different product types or categories, brands or niches related with Volvo Td 7b Manual. So depending on what exactly you are searching, you will be able to choose e books to suit your own need. Need to access completely for Campbell Biology Seventh Edition book? Access Ebook without any digging. And by having access to our ebook online or by storing it on your computer, you have convenient answers with Volvo Td 7b Manual To get started finding Volvo Td 7b Manual, you are right to find our website which has a comprehensive collection of books online. Our library is the biggest of these that have literally hundreds of thousands of different products represented. You will also see that there are specific sites catered to different categories or niches related with Volvo Td 7b Manual So depending on what exactly you are searching, you will be able to choose ebook to suit your own need. Thank you for reading Volvo Td 7b Manual. Maybe you



have knowledge that, people have search numerous times for their favorite readings like this Volvo Td 7b Manual, but end up in harmful downloads. Rather than reading a good book with a cup of coffee in the afternoon, instead they juggled with some harmful bugs inside their laptop. Volvo Td 7b Manual is available in our book collection an online access to it is set as public so you can download it instantly. Our digital library spans in multiple locations, allowing you to get the most less latency time to download any of our books like this one. Merely said, Volvo Td 7b Manual is universally compatible with any devices to read.

### **Find Volvo Td 7b Manual :**

**sperry mk 3gyrocompass manual**

**spanish workbook realidades 2 pg 47 answers**

~~spectre user simulation guide~~

**sperry sr 50 gyro manual**

spi questions and answers

~~spiceland intermediate accounting 7th edition solutions manual~~

*spinach rice pilaf recipe*

*spider web drawing template*

**speer reloading manual 13**

spectrum grade 3 answer key night lights

spidergram for hale from the crucible

speer reloading manual 11

**special senses review sheet 17**

*spinach fillo recipe*

~~speed channel guide~~

### **Volvo Td 7b Manual :**

Rave for L322 Aug 13, 2012 — RAVE is the complete Workshop and Electrical Troubleshooting Manual in electronic form for all L322 from 2002-2005. HOWEVER it's information ... RAVE For L322 Jan 9, 2020 — Range Rover L322 (3rd Gen) - RAVE For L322 - Hi guys. Is there a rave/workshop manual file for the Jag 4.4 L322 (like the one for the D2s)? RAVE MANUALS - Topic - rangerovers.pub IM TRYING TO DOWNLOAD THE RAVE MANUAL BUT EVERY LINK I OPEN IS NO LONGER

AVAILABLE. ... L322/Defender CD on my Google Drive here <https://drive.google.com/file/d/...> L322 Rave software? TD6 workshop manual Jun 4, 2021 — Sorry if it's been done to death but wondering if anyone has a copy cd/usb of the rave manuals for 2003 Vogue TD6 ? View topic - RAVE manual Feb 25, 2015 — Home > Technical (L322) > RAVE manual. Post ... Previous: L322 Range Rover TDV8 3.6 2008; L322 Range Rover TD6 3.0 2002; P38A Range Rover V8 1999. Where to go to download Rave Feb 28, 2022 — RAVE is much more than the workshop manual which is only a section ... 1994 Range Rover Classic Soft Dash RAVE download. Range Rover Classic. rave manual Mar 11, 2014 — How do i get hold of or download a rave manual for my 02 l322? ... click on that and download. cheers. 2014 Freelander SE TD4 2003 Range Rover ... View topic - RAVE Sep 27, 2016 — On a Mac either just stick in Finder search 'wmln022n' which is the 'Service Procedures' Manual or search through the 'Rave/pdf/LM' folder for ... RAVE Manual - YouTube Workshop Manuals for L322/320/494 - Range Rover Forum Feb 21, 2018 — Workshop Manuals for L322/320/494. Naks. By Naks February 21, 2018 in Range Rover Forum. What is the translation of "Troockenbau" in English? Translation for 'Troockenbau' in the free German-English dictionary and many other English translations. What is the translation of "Troockenbau" in English? Translation for 'Troockenbau' in the free German-English dictionary and many other English translations. Troockenbau Interiors Troockenbau Interiors LLC is locally owned commercial interior build out company that specializes in all forms of Metal Stud Framing, Drywall, and Finish Work. Instant AI-powered translation from German to English Dictionary. Troockenbau noun, masculine. Listen —. Linguee Dictionary. dry lining n. dry construction n. Listen. drywall construction n (construction) Listen. Troockenbau - Construction / Civil Engineering - ProZ.com Nov 25, 2000 — It can provide a variety of exterior appearances but is characterized by narrowly spaced vertical and horizontal caps with glass or metal infil ... Troockenbau meaning in English trockenbau meaning in English » DictZone Hungarian-English dictionary. Troockenbau GmbH Troockenbau GmbH is a construction company based out of 2 Industriestraße, Fränkisch-Crumbach, Hesse, Germany. Website: <http://www.boelter-troockenbau.de>. TROCKENBAU INTERIORS - Drywall Installation & Repair Specialties: We specialized in drywall repairs or new construction.Metal framing,drywall, finish, insulation.You have mold or crack ceilings we can help. Troockenbau - Translation into English - examples German Ideal material for drywall, wall, floor, ceiling. Globalization and Culture: Global Mélange, Fourth Edition An excellent introduction to the complex questions raised by globalization, culture, and hybridity. This book dismantles some of the dominant myths, offers the ... Globalization and Culture: Global Mélange Now updated with new chapters on culture and on populism, this seminal text disputes the view that we are experiencing a “clash of civilizations” as well as ... Globalization and Culture - Nederveen Pieterse, Jan: Books Internationally award-winning author Jan Nederveen Pieterse argues that what is taking place is the formation of a global mZlange, a culture of hybridization. Globalization and Culture - Jan Nederveen Pieterse Throughout, the book offers a comprehensive treatment of hybridization arguments, and, in discussing globalization and culture, unbundles the meaning of culture ... Globalization and Culture: Global Mélange (4th

Edition) Now updated with new chapters on culture and on populism, this seminal text disputes the view that we are experiencing a “clash of civilizations” as well as ... Globalization and culture : global mélange "Now in a fully revised and updated edition, this seminal text asks if there is cultural life after the "clash of civilizations" and global McDonaldization. Globalization and Culture - Jan Nederveen Pieterse Globalization and Culture: Global Mélange by Jan Nederveen Pieterse - ISBN 10: 0742556069 - ISBN 13: 9780742556065 - Rowman & Littlefield Publishers - 2009 ... A Review of “Globalization And Culture: Global MéLange” Dec 23, 2020 — Globalization cannot be associated with uniformity either, as many of the diffusions associated with globalization acquire local characters ... Globalization and Culture: Global Mélange An excellent introduction to the complex questions raised by globalization, culture, and hybridity. This book dismantles some of the dominant myths, offers the ... Globalization and Culture - Jan Nederveen Pieterse Internationally award-winning author Jan Nederveen Pieterse argues that what is taking place is the formation of a global melange, a culture of hybridization.