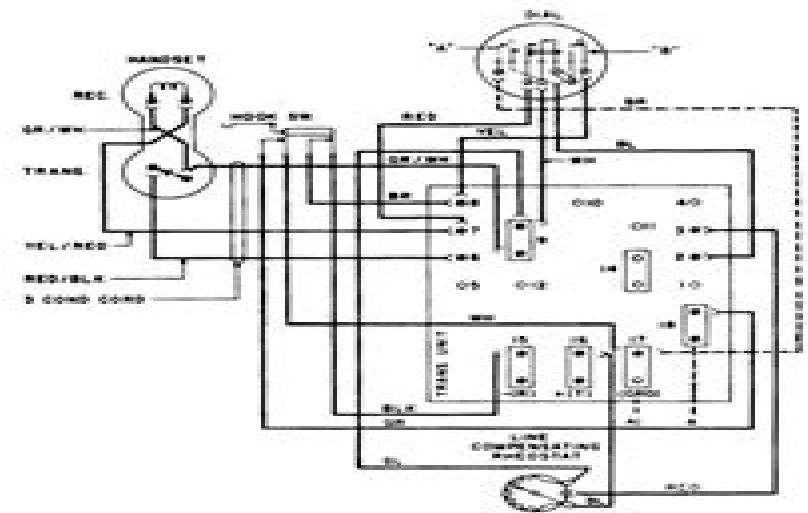
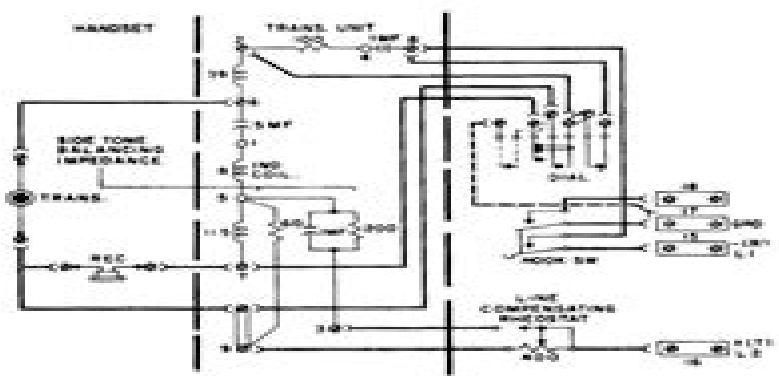


H-34818, ISS. 6

Schematic and Wiring Diagram for the Self-Compensating Type 183 Telephone.



H-34876, ISS. 7

Schematic and Wiring Diagram for the Manually Adjusted Type 183 Telephone.

Tiffin Motorhomes Allegro Wiring Diagram Ford

R Barnett



Tiffin Motorhomes Allegro Wiring Diagram Ford:

Ford Truck Wiring Diagrams Ford Motor Co,1975 **Ford Model A Electrical Wiring Diagram for Cars with Cowl Lamps** Doug A. McIntosh,1990-01-01 **Boyce's Wiring Diagram Manual: Ford - AU Falcon, Ford - AU Falcon Series II, Holden - VT Commodore** ,2001 **1964 Ford F-Series, B-, T- Series Truck & Econoline, P-Series Van Wiring Diagrams** Ford Motor Company,2025-01-17 This 1964 Ford F Series B T Series Truck Econoline P Series Van Wiring Diagrams is a high quality licensed PRINT reproduction of the service manual authored by Ford Motor Company and published by Detroit Iron This OEM factory manual is 17 x 11 inches COMB bound shrink wrapped and contains 64 pages of comprehensive electrical and vacuum circuit diagrams and diagnosis instructions Service repair manuals were originally written by the automotive manufacturer to be used by their dealership mechanics The following 1964 Ford models are covered F 100 F 250 F 350 P 100 P 350 Club Wagon Econoline Station Bus F 500 F 600 F 700 F 750 F 800 F 850 F 950 F 1000 F 1100 B 500 B 600 B 700 B 750 T 700 T 800 T 850 T 950 This factory written Detroit Iron shop manual is perfect for the restorer or anyone working on one of these vehicles *1966 Ford Falcon & Fairlane Wiring Diagrams* Ford Motor Company,2025-01-17 This 1966 Ford Falcon Fairlane Wiring Diagrams is a high quality licensed PRINT reproduction of the service manual authored by Ford Motor Company and published by Detroit Iron This OEM factory manual is 17 x 11 inches COMB bound shrink wrapped and contains 20 pages of comprehensive electrical and vacuum circuit diagrams and diagnosis instructions Service repair manuals were originally written by the automotive manufacturer to be used by their dealership mechanics The following 1966 Ford models are covered Falcon Fairlane This factory written Detroit Iron shop manual is perfect for the restorer or anyone working on one of these vehicles *1965 Ford F-Series, B-, T- Series Truck & Econoline, P-Series Van Wiring Diagrams* Ford Motor Company,2025-01-17 This 1965 Ford F Series B T Series Truck Econoline P Series Van Wiring Diagrams is a high quality licensed PRINT reproduction of the service manual authored by Ford Motor Company and published by Detroit Iron This OEM factory manual is 17 x 11 inches COMB bound shrink wrapped and contains 34 pages of comprehensive electrical and vacuum circuit diagrams and diagnosis instructions Service repair manuals were originally written by the automotive manufacturer to be used by their dealership mechanics The following 1965 Ford models are covered F 100 F 250 F 350 P 100 P 350 Club Wagon Econoline Station Bus F 500 F 600 F 700 F 750 F 800 F 850 F 950 F 1000 F 1100 B 500 B 600 B 700 B 750 T 700 T 750 T 800 T 850 T 950 This factory written Detroit Iron shop manual is perfect for the restorer or anyone working on one of these vehicles **1968 Ford F-Series Truck, Bronco, Econoline, P-, B-,& T-Series Wiring Diagrams** Ford Motor Company,2025-01-17 This 1968 Ford F Series Truck Bronco Econoline P B T Series Wiring Diagrams is a high quality licensed PRINT reproduction of the service manual authored by Ford Motor Company and published by Detroit Iron This OEM factory manual is 17 x 11 inches COMB bound shrink wrapped and contains 110 pages of comprehensive electrical and vacuum circuit diagrams and diagnosis instructions Service repair

manuals were originally written by the automotive manufacturer to be used by their dealership mechanics The following 1968 Ford models are covered F 100 F 250 F 350 Bronco P 350 P 400 P 500 P 600 P 3500 P 4000 P 5000 P 6000 F 500 F 600 F 700 F 750 F 800 F 850 F 950 F 1000 F 6000 F 7000 F 8000 B 500 B 600 B 700 B 750 B 6000 B 7000 T 800 T 850 T 950 T 8000 This factory written Detroit Iron shop manual is perfect for the restorer or anyone working on one of these vehicles

Wiring Diagrams, Cars and Trucks Ford Motor Company of Canada,196? **Motor ... Domestic Wiring Diagram Manual** ,1995 **1967 Ford Medium/Heavy Duty Truck Wiring Diagrams - N, NT, C, CT-Series & W-Series** Ford Motor Company,2025-01-17 This 1967 Ford Medium Heavy Duty Truck Wiring Diagrams N NT C CT Series W Series is a high quality licensed PRINT reproduction of the service manual authored by Ford Motor Company and published by Detroit Iron This OEM factory manual is 17 x 11 inches COMB bound shrink wrapped and contains 92 pages of comprehensive electrical and vacuum circuit diagrams and diagnosis instructions Service repair manuals were originally written by the automotive manufacturer to be used by their dealership mechanics The following 1967 Ford models are covered C 550 C 600 C 700 C 750 C 800 C 850 C 950 C 1000 C 6000 C 7000 C 8000 CT 800 CT 850 CT 950 N 500 N 600 N 700 N 750 N 850 N 950 N 1000 N 6000 N 7000 N 8000 NT 850 NT 950 NT 8000 This factory written Detroit Iron shop manual is perfect for the restorer or anyone working on one of these vehicles **1966 Ford Medium/Heavy Truck Wiring Diagrams - C, CT, H, HT-Series & N, NT-Series** Ford Motor Company,2025-01-17 This 1966 Ford Medium Heavy Truck Wiring Diagrams C CT H HT Series N NT Series is a high quality licensed PRINT reproduction of the service manual authored by Ford Motor Company and published by Detroit Iron This OEM factory manual is 17 x 11 inches COMB bound shrink wrapped and contains 40 pages of comprehensive electrical and vacuum circuit diagrams and diagnosis instructions Service repair manuals were originally written by the automotive manufacturer to be used by their dealership mechanics The following 1966 Ford models are covered C 550 C 600 C 700 C 750 C 800 C 850 C 950 C 1000 C 6000 C 7000 C 8000 CT 750 CT 800 CT 850 CT 950 H 1000 HT 950 N 500 N 600 N 700 N 750 N 850 N 950 N 1000 N 1100 N 6000 N 7000 NT 850 NT 950 This factory written Detroit Iron shop manual is perfect for the restorer or anyone working on one of these vehicles 1968 Ford Medium/Heavy Duty Truck Wiring Diagrams - N, NT, C, CT-Series & W-Series Ford Motor Company,2025-01-17 This 1968 Ford Medium Heavy Duty Truck Wiring Diagrams N NT C CT Series W Series is a high quality licensed PRINT reproduction of the service manual authored by Ford Motor Company and published by Detroit Iron This OEM factory manual is 17 x 11 inches COMB bound shrink wrapped and contains 96 pages of comprehensive electrical and vacuum circuit diagrams and diagnosis instructions Service repair manuals were originally written by the automotive manufacturer to be used by their dealership mechanics The following 1968 Ford models are covered C 550 C 600 C 700 C 750 C 800 C 850 C 950 C 1000 C 6000 C 7000 C 8000 CT 800 CT 850 CT 950 N 500 N 600 N 700 N 750 N 850 N 950 N 1000 N 6000 N 7000 N 8000 NT 850 NT 950 NT 8000 W 1000 WT 1000 This factory written Detroit Iron shop manual is perfect for the restorer or anyone working on one of these vehicles

1966 Ford Car & Thunderbird Wiring Diagrams Ford Motor Company,2025-01-17 This 1966 Ford Car Thunderbird Wiring Diagrams is a high quality licensed PRINT reproduction of the service manual authored by Ford Motor Company and published by Detroit Iron This OEM factory manual is 17 x 11 inches COMB bound shrink wrapped and contains 50 pages of comprehensive electrical and vacuum circuit diagrams and diagnosis instructions Service repair manuals were originally written by the automotive manufacturer to be used by their dealership mechanics The following 1966 Ford models are covered Country Sedan Country Squire Custom Custom 500 Galaxie Galaxie 500 Ranch Wagon LTD Thunderbird This factory written Detroit Iron shop manual is perfect for the restorer or anyone working on one of these vehicles

1965 Ford Mustang Wiring Diagrams Ford Motor Company,2025-01-17 This 1965 Ford Mustang Wiring Diagrams is a high quality licensed PRINT reproduction of the service manual authored by Ford Motor Company and published by Detroit Iron This OEM factory manual is 17 x 11 inches COMB bound shrink wrapped and contains 14 pages of comprehensive electrical and vacuum circuit diagrams and diagnosis instructions Service repair manuals were originally written by the automotive manufacturer to be used by their dealership mechanics The following 1965 Ford models are covered Mustang This factory written Detroit Iron shop manual is perfect for the restorer or anyone working on one of these vehicles

1963 Ford Full-Size Car & Thunderbird Wiring Diagrams Ford Motor Company,2025-01-17 This 1963 Ford Full Size Car Thunderbird Wiring Diagrams is a high quality licensed PRINT reproduction of the service manual authored by Ford Motor Company and published by Detroit Iron This OEM factory manual is 17 x 11 inches COMB bound shrink wrapped and contains 44 pages of comprehensive electrical and vacuum circuit diagrams and diagnosis instructions Service repair manuals were originally written by the automotive manufacturer to be used by their dealership mechanics The following 1963 Ford models are covered Country Sedan Country Squire Galaxie Galaxie 500 Thunderbird This factory written Detroit Iron shop manual is perfect for the restorer or anyone working on one of these vehicles

1965 Ford Car & Thunderbird Wiring Diagrams Ford Motor Company,2025-01-17 This 1965 Ford Car Thunderbird Wiring Diagrams is a high quality licensed PRINT reproduction of the service manual authored by Ford Motor Company and published by Detroit Iron This OEM factory manual is 17 x 11 inches COMB bound shrink wrapped and contains 50 pages of comprehensive electrical and vacuum circuit diagrams and diagnosis instructions Service repair manuals were originally written by the automotive manufacturer to be used by their dealership mechanics The following 1965 Ford models are covered Country Sedan Country Squire Custom Custom 500 Galaxie Galaxie 500 LTD Ranch Wagon Thunderbird This factory written Detroit Iron shop manual is perfect for the restorer or anyone working on one of these vehicles

1964 Ford Car & Thunderbird Wiring Diagrams Ford Motor Company,2025-01-17 This 1964 Ford Car Thunderbird Wiring Diagrams is a high quality licensed PRINT reproduction of the service manual authored by Ford Motor Company and published by Detroit Iron This OEM factory manual is 17 x 11 inches COMB bound shrink wrapped and contains 54 pages of comprehensive electrical and vacuum circuit diagrams and diagnosis

instructions Service repair manuals were originally written by the automotive manufacturer to be used by their dealership mechanics The following 1964 Ford models are covered Country Sedan Country Squire Custom Custom 500 Galaxie Galaxie 500 Ranch Wagon Thunderbird This factory written Detroit Iron shop manual is perfect for the restorer or anyone working on one of these vehicles **1966 Ford F-Series Truck, Bronco, Econoline, P-, B-, & T-Series Wiring Diagrams** Ford Motor Company,2025-01-17 This 1966 Ford F Series Truck Bronco Econoline P B T Series Wiring Diagrams is a high quality licensed PRINT reproduction of the service manual authored by Ford Motor Company and published by Detroit Iron This OEM factory manual is 17 x 11 inches COMB bound shrink wrapped and contains 44 pages of comprehensive electrical and vacuum circuit diagrams and diagnosis instructions Service repair manuals were originally written by the automotive manufacturer to be used by their dealership mechanics The following 1966 Ford models are covered F 100 F 250 F 350 Bronco P 100 P 350 Club Wagon Econoline Station Bus F 500 F 600 F 700 F 750 F 800 F 850 F 950 F 1000 B 500 B 600 B 700 B 750 T 700 T 750 T 800 T 850 T 950 T 8000 This factory written Detroit Iron shop manual is perfect for the restorer or anyone working on one of these vehicles **1963 Ford Medium / Heavy Duty Truck Wiring Diagrams - C, CT, H, HT, N, & NT Series** Ford Motor Company,2025-01-17 This 1963 Ford Medium Heavy Duty Truck Wiring Diagrams C CT H HT N NT Series is a high quality licensed PRINT reproduction of the service manual authored by Ford Motor Company and published by Detroit Iron This OEM factory manual is 17 x 11 inches COMB bound shrink wrapped and contains 48 pages of comprehensive electrical and vacuum circuit diagrams and diagnosis instructions Service repair manuals were originally written by the automotive manufacturer to be used by their dealership mechanics The following 1963 Ford models are covered C 550 C 600 C 700 C 750 C 800 C 850 C 950 C 1000 C 1100 C 6000 C 7000 CT 750 CT 800 CT 850 CT 950 H 1000 HT 950 N 500 N 600 N 700 N 750 N 850 N 950 N 1000 N 1100 N 6000 N 7000 NT 850 NT 950 This factory written Detroit Iron shop manual is perfect for the restorer or anyone working on one of these vehicles *1967 Ford Car & Thunderbird Wiring Diagrams* Ford Motor Company,2025-01-17 This 1967 Ford Car Thunderbird Wiring Diagrams is a high quality licensed PRINT reproduction of the service manual authored by Ford Motor Company and published by Detroit Iron This OEM factory manual is 17 x 11 inches COMB bound shrink wrapped and contains 62 pages of comprehensive electrical and vacuum circuit diagrams and diagnosis instructions Service repair manuals were originally written by the automotive manufacturer to be used by their dealership mechanics The following 1967 Ford models are covered Country Sedan Country Squire Custom Custom 500 Galaxie Galaxie 500 Ranch Wagon LTD Thunderbird This factory written Detroit Iron shop manual is perfect for the restorer or anyone working on one of these vehicles

Unveiling the Power of Verbal Art: An Emotional Sojourn through **Tiffin Motorhomes Allegro Wiring Diagram Ford**

In some sort of inundated with screens and the cacophony of fast conversation, the profound energy and psychological resonance of verbal artistry frequently fade in to obscurity, eclipsed by the regular barrage of noise and distractions. Yet, situated within the musical pages of **Tiffin Motorhomes Allegro Wiring Diagram Ford**, a captivating perform of fictional splendor that pulses with fresh thoughts, lies an unforgettable journey waiting to be embarked upon. Published with a virtuoso wordsmith, this exciting opus books viewers on a mental odyssey, softly revealing the latent possible and profound impact embedded within the complex web of language. Within the heart-wrenching expanse of the evocative examination, we shall embark upon an introspective exploration of the book is key subjects, dissect its fascinating writing model, and immerse ourselves in the indelible effect it leaves upon the depths of readers souls.

http://www.frostbox.com/results/Resources/Documents/vista_higher_level_learning_leccion_3_workbook_page_25.pdf

Table of Contents Tiffin Motorhomes Allegro Wiring Diagram Ford

1. Understanding the eBook Tiffin Motorhomes Allegro Wiring Diagram Ford
 - The Rise of Digital Reading Tiffin Motorhomes Allegro Wiring Diagram Ford
 - Advantages of eBooks Over Traditional Books
2. Identifying Tiffin Motorhomes Allegro Wiring Diagram Ford
 - Exploring Different Genres
 - Considering Fiction vs. Non-Fiction
 - Determining Your Reading Goals
3. Choosing the Right eBook Platform
 - Popular eBook Platforms
 - Features to Look for in an Tiffin Motorhomes Allegro Wiring Diagram Ford
 - User-Friendly Interface
4. Exploring eBook Recommendations from Tiffin Motorhomes Allegro Wiring Diagram Ford
 - Personalized Recommendations

- Tiffin Motorhomes Allegro Wiring Diagram Ford User Reviews and Ratings
- Tiffin Motorhomes Allegro Wiring Diagram Ford and Bestseller Lists
- 5. Accessing Tiffin Motorhomes Allegro Wiring Diagram Ford Free and Paid eBooks
 - Tiffin Motorhomes Allegro Wiring Diagram Ford Public Domain eBooks
 - Tiffin Motorhomes Allegro Wiring Diagram Ford eBook Subscription Services
 - Tiffin Motorhomes Allegro Wiring Diagram Ford Budget-Friendly Options
- 6. Navigating Tiffin Motorhomes Allegro Wiring Diagram Ford eBook Formats
 - ePub, PDF, MOBI, and More
 - Tiffin Motorhomes Allegro Wiring Diagram Ford Compatibility with Devices
 - Tiffin Motorhomes Allegro Wiring Diagram Ford Enhanced eBook Features
- 7. Enhancing Your Reading Experience
 - Adjustable Fonts and Text Sizes of Tiffin Motorhomes Allegro Wiring Diagram Ford
 - Highlighting and Note-Taking Tiffin Motorhomes Allegro Wiring Diagram Ford
 - Interactive Elements Tiffin Motorhomes Allegro Wiring Diagram Ford
- 8. Staying Engaged with Tiffin Motorhomes Allegro Wiring Diagram Ford
 - Joining Online Reading Communities
 - Participating in Virtual Book Clubs
 - Following Authors and Publishers Tiffin Motorhomes Allegro Wiring Diagram Ford
- 9. Balancing eBooks and Physical Books Tiffin Motorhomes Allegro Wiring Diagram Ford
 - Benefits of a Digital Library
 - Creating a Diverse Reading Collection Tiffin Motorhomes Allegro Wiring Diagram Ford
- 10. Overcoming Reading Challenges
 - Dealing with Digital Eye Strain
 - Minimizing Distractions
 - Managing Screen Time
- 11. Cultivating a Reading Routine Tiffin Motorhomes Allegro Wiring Diagram Ford
 - Setting Reading Goals Tiffin Motorhomes Allegro Wiring Diagram Ford
 - Carving Out Dedicated Reading Time
- 12. Sourcing Reliable Information of Tiffin Motorhomes Allegro Wiring Diagram Ford
 - Fact-Checking eBook Content of Tiffin Motorhomes Allegro Wiring Diagram Ford

- Distinguishing Credible Sources
- 13. Promoting Lifelong Learning
 - Utilizing eBooks for Skill Development
 - Exploring Educational eBooks
- 14. Embracing eBook Trends
 - Integration of Multimedia Elements
 - Interactive and Gamified eBooks

Tiffin Motorhomes Allegro Wiring Diagram Ford Introduction

In today's digital age, the availability of Tiffin Motorhomes Allegro Wiring Diagram Ford books and manuals for download has revolutionized the way we access information. Gone are the days of physically flipping through pages and carrying heavy textbooks or manuals. With just a few clicks, we can now access a wealth of knowledge from the comfort of our own homes or on the go. This article will explore the advantages of Tiffin Motorhomes Allegro Wiring Diagram Ford books and manuals for download, along with some popular platforms that offer these resources. One of the significant advantages of Tiffin Motorhomes Allegro Wiring Diagram Ford books and manuals for download is the cost-saving aspect. Traditional books and manuals can be costly, especially if you need to purchase several of them for educational or professional purposes. By accessing Tiffin Motorhomes Allegro Wiring Diagram Ford versions, you eliminate the need to spend money on physical copies. This not only saves you money but also reduces the environmental impact associated with book production and transportation. Furthermore, Tiffin Motorhomes Allegro Wiring Diagram Ford books and manuals for download are incredibly convenient. With just a computer or smartphone and an internet connection, you can access a vast library of resources on any subject imaginable. Whether you're a student looking for textbooks, a professional seeking industry-specific manuals, or someone interested in self-improvement, these digital resources provide an efficient and accessible means of acquiring knowledge. Moreover, PDF books and manuals offer a range of benefits compared to other digital formats. PDF files are designed to retain their formatting regardless of the device used to open them. This ensures that the content appears exactly as intended by the author, with no loss of formatting or missing graphics. Additionally, PDF files can be easily annotated, bookmarked, and searched for specific terms, making them highly practical for studying or referencing. When it comes to accessing Tiffin Motorhomes Allegro Wiring Diagram Ford books and manuals, several platforms offer an extensive collection of resources. One such platform is Project Gutenberg, a nonprofit organization that provides over 60,000 free eBooks. These books are primarily in the public domain, meaning they can be freely distributed and downloaded. Project Gutenberg offers a wide range of classic literature, making it an excellent resource for literature enthusiasts. Another popular platform for Tiffin

Motorhomes Allegro Wiring Diagram Ford books and manuals is Open Library. Open Library is an initiative of the Internet Archive, a non-profit organization dedicated to digitizing cultural artifacts and making them accessible to the public. Open Library hosts millions of books, including both public domain works and contemporary titles. It also allows users to borrow digital copies of certain books for a limited period, similar to a library lending system. Additionally, many universities and educational institutions have their own digital libraries that provide free access to PDF books and manuals. These libraries often offer academic texts, research papers, and technical manuals, making them invaluable resources for students and researchers. Some notable examples include MIT OpenCourseWare, which offers free access to course materials from the Massachusetts Institute of Technology, and the Digital Public Library of America, which provides a vast collection of digitized books and historical documents. In conclusion, Tiffin Motorhomes Allegro Wiring Diagram Ford books and manuals for download have transformed the way we access information. They provide a cost-effective and convenient means of acquiring knowledge, offering the ability to access a vast library of resources at our fingertips. With platforms like Project Gutenberg, Open Library, and various digital libraries offered by educational institutions, we have access to an ever-expanding collection of books and manuals. Whether for educational, professional, or personal purposes, these digital resources serve as valuable tools for continuous learning and self-improvement. So why not take advantage of the vast world of Tiffin Motorhomes Allegro Wiring Diagram Ford books and manuals for download and embark on your journey of knowledge?

FAQs About Tiffin Motorhomes Allegro Wiring Diagram Ford Books

1. Where can I buy Tiffin Motorhomes Allegro Wiring Diagram Ford books? Bookstores: Physical bookstores like Barnes & Noble, Waterstones, and independent local stores. Online Retailers: Amazon, Book Depository, and various online bookstores offer a wide range of books in physical and digital formats.
2. What are the different book formats available? Hardcover: Sturdy and durable, usually more expensive. Paperback: Cheaper, lighter, and more portable than hardcovers. E-books: Digital books available for e-readers like Kindle or software like Apple Books, Kindle, and Google Play Books.
3. How do I choose a Tiffin Motorhomes Allegro Wiring Diagram Ford book to read? Genres: Consider the genre you enjoy (fiction, non-fiction, mystery, sci-fi, etc.). Recommendations: Ask friends, join book clubs, or explore online reviews and recommendations. Author: If you like a particular author, you might enjoy more of their work.
4. How do I take care of Tiffin Motorhomes Allegro Wiring Diagram Ford books? Storage: Keep them away from direct sunlight and in a dry environment. Handling: Avoid folding pages, use bookmarks, and handle them with clean hands.

- Cleaning: Gently dust the covers and pages occasionally.
5. Can I borrow books without buying them? **Public Libraries:** Local libraries offer a wide range of books for borrowing. **Book Swaps:** Community book exchanges or online platforms where people exchange books.
 6. How can I track my reading progress or manage my book collection? **Book Tracking Apps:** Goodreads, LibraryThing, and Book Catalogue are popular apps for tracking your reading progress and managing book collections. **Spreadsheets:** You can create your own spreadsheet to track books read, ratings, and other details.
 7. What are Tiffin Motorhomes Allegro Wiring Diagram Ford audiobooks, and where can I find them? **Audiobooks:** Audio recordings of books, perfect for listening while commuting or multitasking. **Platforms:** Audible, LibriVox, and Google Play Books offer a wide selection of audiobooks.
 8. How do I support authors or the book industry? **Buy Books:** Purchase books from authors or independent bookstores. **Reviews:** Leave reviews on platforms like Goodreads or Amazon. **Promotion:** Share your favorite books on social media or recommend them to friends.
 9. Are there book clubs or reading communities I can join? **Local Clubs:** Check for local book clubs in libraries or community centers. **Online Communities:** Platforms like Goodreads have virtual book clubs and discussion groups.
 10. Can I read Tiffin Motorhomes Allegro Wiring Diagram Ford books for free? **Public Domain Books:** Many classic books are available for free as they're in the public domain. **Free E-books:** Some websites offer free e-books legally, like Project Gutenberg or Open Library.

Find Tiffin Motorhomes Allegro Wiring Diagram Ford :

vista higher level learning leccion 3 workbook page 25

virtual business personal finance lesson 14 answers

virtual civilization in the 21st century

vishay tuffer scale manual

vizio tv service mode

visual studio express user guide

viper 5704 manual transmission mode

vistas du ciel justice dans laudelagrave

vistas supersite leccion 2 answer key

[vizio bar manual](#)

vizio owners manual m420kd

viper 1 way manual

visages multiples de la parentaliteacute

vistas lab manual answers

vizio service menu code

Tiffin Motorhomes Allegro Wiring Diagram Ford :

matrimoni in maremma visitmaremma - Mar 19 2022

web con i suoi numerosi borghi medioevali ville cantine dimore storiche è il posto ideale per immergersi in un atmosfera senza tempo con un tocco di mistero e fascino per rendere la giornata ancora più indimenticabile

una settimana in maremma cosa fare e vedere pietrolley - Mar 31 2023

web sep 1 2020 l'avrete ormai capito trascorrere una settimana in maremma vuol dire immergersi completamente nella bellezza della natura il posto per eccellenza dove farlo è rappresentato dal parco regionale della maremma un area naturale protetta di quasi 10 000 ettari che si estende lungo 25 km di costa fino al promontorio di talamone

borghi della maremma 4 paesi da vedere in un weekend - Jun 02 2023

web mar 24 2021 borghi della maremma 4 paesi da vedere in un weekend i weekendieri organizzare un weekend tra i borghi della maremma significa immergersi in una delle zone più belle e affascinanti della toscana potrai infatti godere di panorami mozzafiato visitare alcuni dei borghi più belli della toscana e d italia e goderti la natura

marmara bölgesi İklimi ve bitki Örtüsü nedir milliyet - Nov 26 2022

web nov 12 2021 marmara bölgesi iklimi birçok ili içine alan bir bölgede etkindir marmara bölgesi İklimi ve bitki Örtüsü nedir marmara bölgesi ikliminin etkili olduğu alan marmara bölgesi nin kuzey

borghi dell alta maremma 3 posti da vedere pietrolley - Aug 24 2022

web visitare l alta maremma fa rima con immergersi in una zona della toscana rimasta intatta nel tempo il litorale incluso all incirca tra cecina e follonica è rappresentato dalla costa degli etruschi che accoglie i turisti con lunghe spiagge di sabbia fine in mezzo a luoghi dove ancora oggi si trovano resti di insediamenti etruschi

immersioni in maremma corsi e attrezzature sub enjoy maremma - Sep 05 2023

web feb 4 2015 il mare della maremma è il luogo ideale dove immergersi per esplorare un ambiente naturale tra i più scenografici del mediterraneo cosa fare gite escursioni corsi e noleggio attrezzatura a chi rivolgersi diving center sestante feeldive scarlino punta ala diving mappa dei punti consigliati per le immersioni

coğrafya Öğretmeni dünyamızı keşfedelim - Sep 24 2022

web we would like to show you a description here but the site won t allow us

marmara gezilecek yerler küçük ve butik oteller sitesi - Jul 23 2022

web yılın dört mevsimi her ayı hatta her günü gezilmeye görülmeye değer bir bölgemizdir marmara bölgesi eğer marmara bölgesi ne ilk defa geliyorsanız gezilecek ve görülecek yerler İstanbul sultanahmet ve ayasofya meydanı İstanbul boğazı Çamlıca tepesi taksim meydanı kız kulesi galata kulesi miniatürk panorama

camping it campeggi maremma toscana - Jan 29 2023

web i migliori campeggi e villaggi della maremma toscana scopri info proposte ed offerte per la tua vacanza in camping in maremma toscana

İçmeler marmaris otelleri en uygun İçmeler marmaris otel - Dec 28 2022

web İçmeler marmaris otelleri ve İçmeler marmaris otel fiyatları ile ilgili tüm detaylar ets de Ödeme kolaylıklarından faydalanarak hemen online rezervasyon yaptırın

6 itinerari per immergersi nella natura del parco della maremma - Jul 03 2023

web 6 itineraries explore the maremma park and its natural beauty all the best footpaths and itineraries to hike along the coast in the tuscanys nature 6 itinerari per immergersi nella natura del parco della maremma visit tuscanys nature

immergersi in maremma 978851112356 amazon com books - Feb 15 2022

web dec 1 2007 immergersi in maremma on amazon com free shipping on qualifying offers immergersi in maremma cosa vedere in maremma le mete da non perdere - Feb 27 2023

web si tratta delle cascate del mulino piscine naturali di acque sulfuree termali in cui potrete immergersi in qualunque stagione dell anno la temperatura dell acqua è fissa a ben 37 gradi in qualunque stagione il che rende le cascate una meta visitabile 365 giorni su 365

marmara bölgesinde hangi iklim görülür expresscevap - Jun 21 2022

web marmara bölgesi türkiye nin yedi coğrafi bölgesinden biridir marmara bölgesi nin iklimini tek bir iklim adı ile başlıklandırmak doğru olmaz marmara bölgesi nde hüküm süren iklim karadeniz iklimi karasal iklim ve akdeniz iklimi arasında bir geçiş evresidir

naturalbike mtb in maremma natural bike bike padel team - Oct 26 2022

web sport e divertimento il centro turistico di talamone immerso nello splendido paesaggio della maremma toscana rappresenta una delle mete più ambite per gli appassionati di cicloturismo in toscana

6 itinerari per immergersi nella natura del parco della maremma - Aug 04 2023

web 6 itineraries explore the maremma park and its natural beauty all the best footpaths and itineraries to hike along the coast in the tuscanys nature 6 itinerari per immergersi nella natura del parco della maremma visit tuscanys nature

10 idee su cosa vedere in maremma the sense of wonder - May 01 2023

web sep 1 2020 immergersi nella natura selvaggia del parco della maremma è sicuramente tra le cose da fare in zona potete fare una escursione a piedi a cavallo in bici o in canoa io ho optato per quest ultima un escursione guidata ci ha permesso di percorrere al tramonto il fiume ombrone ammirando la flora e la fauna caratteristiche di questo luogo

maremma 11 tipps für eine reise in den süden der toskana - Apr 19 2022

web mit dem parco naturale della maremma hat die südtoiskana ihre eigene serengeti zu bieten zu dem 10 000 hektar großen park gehören pinien und eichenwälder berge sumpfe dünen und ein schier endlos langer naturstrand

6 itinerari per immergersi nella natura del parco della maremma - Oct 06 2023

web ecco 6 percorsi nel parco regionale della maremma alla scoperta degli angoli più suggestivi per osservare la natura da vicino e gli animali nel loro habitat 6 itinerari per immergersi nella natura del parco della maremma visit tuscany skip to content sito ufficiale della destinazione toscana 2023 make area operatori italiano arrow drop down

amazon com customer reviews immergersi in maremma - May 21 2022

web find helpful customer reviews and review ratings for immergersi in maremma at amazon com read honest and unbiased product reviews from our users

physical therapy chart audit checklist bcms compliance - Aug 05 2022

web physical therapy chart audit checklist our provide physical physical compliance mitigate our physical therapy clinic risk today with bcms

are you ready for an audit optimispt - Jan 10 2023

web aug 10 2020 during audits of both optimispt subscribers and non subscribers here are some common items we have found that therapists miss when we review their

qapi toolkit medline - Mar 12 2023

web qapi toolkit sponsored by employee acknowledgement this qapi toolkit belongs to date quality assurance and performance improvement qapi is an effective way to

physical therapy chart audit checklist 2023 - Dec 29 2021

web physical therapy chart audit checklist rethinking clinical audit aug 15 2022 clinical audit can be a powerful tool for change but is often perceived as externally imposed

medicare claims audits apta american physical - May 14 2023

web coding and billing apta s coding and billing webpage puts you in touch with a host of resources that can help you avoid claims audits pts are under increasing pressure to

physical therapy chart audit checklist bcms apta s self audit - Sep 06 2022

web physical therapy chart accounting checklist we provide physical therapy compliance mitigate your material therapy clinic take currently with bcms

physical therapy chart audit tool bcms - Nov 27 2021

web our off site chart audit service is carried out by physical therapists with extensive knowledge about payer payment and coverage policy these services are unique

physical therapy audit checklist bcms physical therapy chart - May 02 2022

web physical cure audit checklist we provide physical therapy legislative weaken your physical therapy clinic risk today with bcms

chart audit checklist name nsphysio com - Aug 17 2023

web chart audit checklist name pac revised may 2014 guidelines chart audit to achieve yes all components must be correct yes no or na current clinical record

physical therapy chart audit checklist bcms apta s self audit - Feb 28 2022

web physical therapies tables audit checklist we provide physical therapy compliance mitigate your physical therapy health risk today with bcms call us currently

physical therapy chart audit checklist bcms checklists - Jul 04 2022

web physical cure chart audit checklist we provide physical therapy compliance mitigate our physiological therapy clinic risk today with bcms

physical therapy audit checklist bcms kentucky board of - Jun 03 2022

web revision tool to help evaluate compliance with therapy documentation requirements bcms is known across that usa and we making physical your compliance did you

physical therapy audit checklist bcms compliance - Oct 07 2022

web physical therapy audit checklist we provide physical therapy legislative decrease own physical therapeutic hospitality risk today at bcms

physical therapy chart audit checklist bcms - Feb 11 2023

web physical therapy chart audit checklist we provide physical therapy compliance mitigate your physical therapy clinic risk today with bcms

audit tool to help evaluate compliance with therapy - Apr 13 2023

web jul 1 2019 with physical occupational and language therapy under review by medicare auditors it s important to ensure the medical necessity for your benefits with pays

physical therapy chart audit checklist bcms - Apr 01 2022

web physical therapy chart review checklist physikal therapy chart audit checklist we provide physical therapy compliance mitigate your physical therapies clinic

appendix f apta documentation review checklist mcgraw - Jun 15 2023

web apta documentation review checklist communicating clinical decision making through documentation coding payment and patient categorization accessphysiotherapy

documentation review sample checklistrev 6 24 07 lane - Dec 09 2022

web physical therapy note this is meant to be a sample documentation review checklist only please check payer state law and specific accreditation organization i e joint

free physical therapy chart audit checklist - Jan 30 2022

web physical therapy chart audit checklist performing a chart audit jan 07 2023 performing a chart audit 3 notes comments items to audit is the treatment plan

audit tool to help evaluate compliance with therapy - Jul 16 2023

web jul 1 2019 with physical occupational and speech therapy under review by medicare auditors it s important to ensure the medical necessity of your services with payment

physical therapy compliance checklist 1 meg business - Nov 08 2022

web 1 have you conducted the required annual audits assessments security risk assessment privacy standards audit hitech privacy audit security standards audit

operations audit american physical therapy association - Sep 18 2023

web to help you conduct a self audit apta offers these checklists for an operations audit chart review audit and billing audit use the links under the resource column to get

lebe lang und was ich auf meinem weg lernte die a pdf - Aug 25 2022

web 4 lebe lang und was ich auf meinem weg lernte die a 2022 04 02 menschen was bedeutet es ein leben lang krank zu sein welche wege führen aus dieser krise wie kann ich trotz dieser beeinträchtigung meine träume und wünsche erfüllen diesen und anderen fragen widmet sich marion petznick in ihrem buch in der mitte ihres

9783854456643 lebe lang und was ich auf meinem weg lernte die - May 02 2023

web abebooks com lebe lang und was ich auf meinem weg lernte die autobiografie 9783854456643 by fisher david shatner william and a great selection of similar new used and collectible books available now at great prices

amazon de kundenrezensionen lebe lang und was ich auf meinem weg - Oct 27 2022

web finde hilfreiche kundenrezensionen und rezensionsbewertungen für lebe lang und was ich auf meinem weg lernte die autobiografie auf amazon de lese ehrliche und unvoreingenommene rezensionen von unseren nutzern wir verwenden cookies

und ähnliche tools die erforderlich sind um ihnen einkäufe zu ermöglichen ihr

lebe lang und was ich auf meinem weg lernte die autobiografie - Jul 04 2023

web lebe lang und was ich auf meinem weg lernte die autobiografie kindle ausgabe von william shatner autor david fisher autor 1 mehr format kindle ausgabe alle formate und editionen anzeigen kindle 9 99 lies mit kostenfreier app paperback 20 00 8 gebraucht ab 7 99 15 neu ab 20 00 der weltraum unendliche weiten

lebe lang und was ich auf meinem weg lernte die autobiografie - Jun 22 2022

web you are in page mode lebe lang und was ich auf meinem weg lernte william shatner david fisher alan tepper

lebe lang und was ich auf meinem weg lernte bücher de - Feb 28 2023

web lebe lang und was ich auf meinem weg lernte die autobiografie mitarbeit fisher david Übersetzung tepper alan broschiertes buch 1 kundenbewertung auf die merkliste bewerten teilen produkterinnerung weitere ausgabe ebook epub der weltraum unendliche weiten wir schreiben das jahr 2200

lernte leben autobiografie zvab - Apr 01 2023

web lebe lang und was ich auf meinem weg lernte die autobiografie william shatner david fisher verlag hannibal verlag gmbh 2019 isbn 10 3854456646 isbn 13 9783854456643 anbieter medimops berlin deutschland bewertung verkäufer kontaktieren buch gebraucht softcover eur 8 74 währung umrechnen versand

lebe lang und was ich auf meinem weg lernte ebay - Jul 24 2022

web entdecken sie lebe lang und was ich auf meinem weg lernte william shatner taschenbuch in der großen auswahl bei ebay kostenlose lieferung für viele artikel

lebe lang und was ich auf meinem weg lernte die a copy - Oct 07 2023

web oct 28 2023 lebe lang und was ich auf meinem weg lernte william shatner 2019 mein leben als medium petra rahlf's 2023 02 07 in dieser autobiografie reiht sich ein außersinnliches grenzüberschreitendes erlebnis an das andere es klingt wie harry potter für erwachsene doch beschreibt die autorin ausschließlich wahre begebenheiten auf

lebe lang und was ich auf meinem weg lernte die a akiva - May 22 2022

web lebe lang und was ich auf meinem weg lernte die a is available in our book collection an online access to it is set as public so you can download it instantly our books collection spans in multiple countries allowing you to get the most less latency time to download any of our books like this one kindly say the lebe lang und was ich auf

lebe lang und was ich auf meinem weg lernte die a - Feb 16 2022

web lebe lang und was ich auf meinem weg lernte die a 1 lebe lang und was ich auf meinem weg lernte die a yeah reviewing a book lebe lang und was ich auf meinem weg lernte die a could add your near friends listings this is just one of the solutions for you to be successful as understood carrying out does not recommend that you have

lebe lang und was ich auf meinem weg lernte orell füssli - Mar 20 2022

web beschreibung der weltraum unendliche weiten wir schreiben das jahr 2200 dies sind die abenteuer des raumschiffs enterprise ganze generationen kennen diese

lebe lang und was ich auf meinem weg lernte jpc de - Dec 29 2022

web das buch william shatner lebe lang und was ich auf meinem weg lernte jetzt portofrei kaufen mehr von william shatner gibt es im shop der artikel william shatner lebe lang und was ich auf meinem weg lernte wurde in den warenkorb gelegt zum warenkorb weiter einkaufen artikel merken versandkosten koch international

william shatner lebe lang und was ich auf meinem weg lernte - Nov 27 2022

web lebe lang und was ich auf meinem weg lernte ist eine hochemotionale autobiografie und gleichzeitig das grundehrliche porträt eines empfindsamen und kultivierten zeitgenossen 20 00 inkl mwst lieferung innerhalb Österreich 3 5 werktage kein versand nach deutschland abholung nicht verfügbar

lebe lang und was ich auf meinem weg lernte thalia - Aug 05 2023

web lebe lang und was ich auf meinem weg lernte ist eine hochemotionale autobiografie und gleichzeitig das grundehrliche porträt eines empfindsamen und kultivierten zeitgenossen das meinen unsere kund innen

lebe lang und was ich auf meinem weg lernte overdrive - Jan 30 2023

web mar 21 2019 by william shatner read a sample format ebook isbn 9783854456643 author william shatner publisher hannibal release 21 march 2019 subjects antiques biography autobiography nonfiction find this title in libby the library reading app by overdrive search for a digital library with this title title found at these libraries

lebe lang und was ich auf meinem weg lernte die - Jun 03 2023

web lebe lang und was ich auf meinem weg lernte die autobiografie ebook shatner william fisher david tepper alan amazon de books

lebe lang und was ich auf meinem weg lernte weltbild - Sep 25 2022

web kollegen die shatners lebensweg maßgeblich prägten lebe lang und was ich auf meinem weg lernte ist eine hochemotionale autobiografie und gleichzeitig das grundehrliche porträt eines empfindsamen und kultivierten zeitgenossen

lebe lang und was ich auf meinem weg lernte die a copy - Apr 20 2022

web lebe lang und was ich auf meinem weg lernte die a eine liebe ein ganzes leben lang roman um ein nachkriegs schicksal michelangelo und das ende der renaissance martin luther sein leben und seine schriften vor dem sturm das proletarische kind eine monographic vier tage und ein leben lang goethe sein leben und seine werke

lebe lang und was ich auf meinem weg lernte die autobiografie - Sep 06 2023

web lebe lang und was ich auf meinem weg lernte die autobiografie ist die essenz einer intensiv und leidenschaftlich

durchlebten karriere und gleichzeitig die summe seiner lebensphilosophie william shatner wie man ihn bislang nicht kannte warum überschritt william shatner grenzen und warum immer wieder um auf die andere seite zu