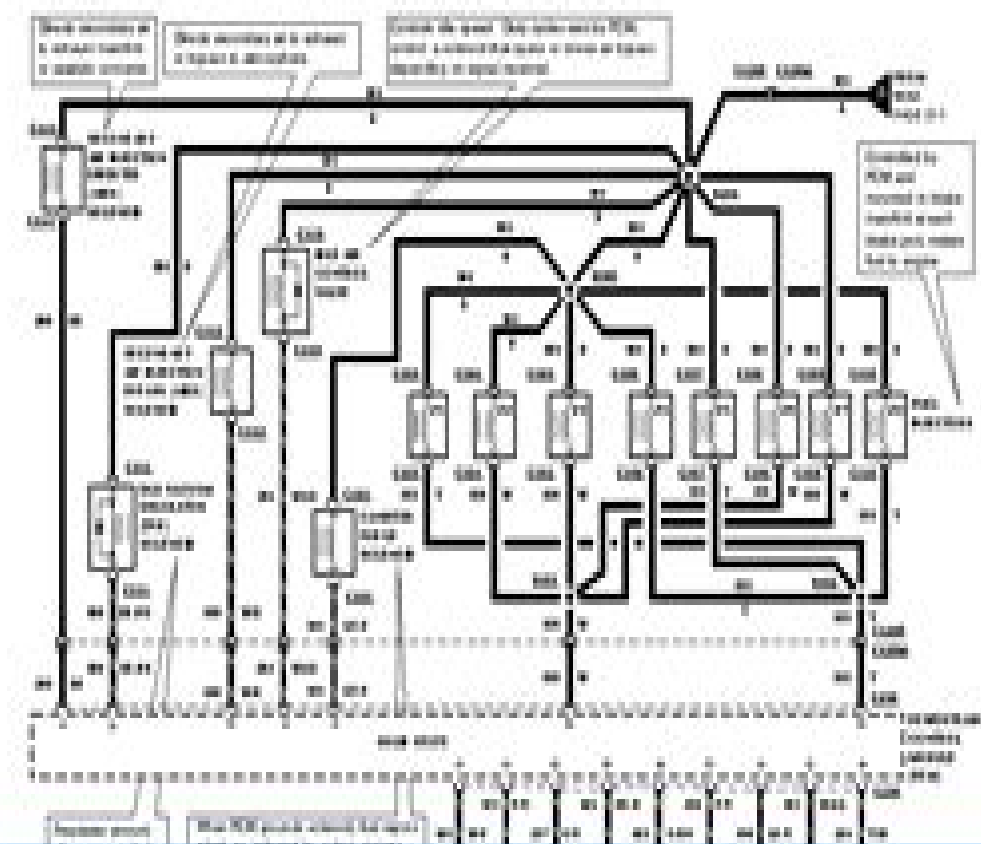


Engine Controls, 1.5L (R3.0)



Tiffin Motorhomes Allegro Wiring Diagram 2006

Ying Liu



Tiffin Motorhomes Allegro Wiring Diagram 2006:

Thank you for reading **Tiffin Motorhomes Allegro Wiring Diagram 2006**. Maybe you have knowledge that, people have search numerous times for their favorite books like this Tiffin Motorhomes Allegro Wiring Diagram 2006, but end up in infectious downloads.

Rather than enjoying a good book with a cup of coffee in the afternoon, instead they are facing with some infectious bugs inside their laptop.

Tiffin Motorhomes Allegro Wiring Diagram 2006 is available in our book collection an online access to it is set as public so you can download it instantly.

Our books collection hosts in multiple countries, allowing you to get the most less latency time to download any of our books like this one.

Merely said, the Tiffin Motorhomes Allegro Wiring Diagram 2006 is universally compatible with any devices to read

http://www.frostbox.com/public/Resources/default.aspx/trek_super_doodlebug_manual.pdf

Table of Contents Tiffin Motorhomes Allegro Wiring Diagram 2006

1. Understanding the eBook Tiffin Motorhomes Allegro Wiring Diagram 2006
 - The Rise of Digital Reading Tiffin Motorhomes Allegro Wiring Diagram 2006
 - Advantages of eBooks Over Traditional Books
2. Identifying Tiffin Motorhomes Allegro Wiring Diagram 2006
 - Exploring Different Genres
 - Considering Fiction vs. Non-Fiction
 - Determining Your Reading Goals
3. Choosing the Right eBook Platform
 - Popular eBook Platforms
 - Features to Look for in an Tiffin Motorhomes Allegro Wiring Diagram 2006
 - User-Friendly Interface
4. Exploring eBook Recommendations from Tiffin Motorhomes Allegro Wiring Diagram 2006

- Personalized Recommendations
 - Tiffin Motorhomes Allegro Wiring Diagram 2006 User Reviews and Ratings
 - Tiffin Motorhomes Allegro Wiring Diagram 2006 and Bestseller Lists
5. Accessing Tiffin Motorhomes Allegro Wiring Diagram 2006 Free and Paid eBooks
 - Tiffin Motorhomes Allegro Wiring Diagram 2006 Public Domain eBooks
 - Tiffin Motorhomes Allegro Wiring Diagram 2006 eBook Subscription Services
 - Tiffin Motorhomes Allegro Wiring Diagram 2006 Budget-Friendly Options
 6. Navigating Tiffin Motorhomes Allegro Wiring Diagram 2006 eBook Formats
 - ePub, PDF, MOBI, and More
 - Tiffin Motorhomes Allegro Wiring Diagram 2006 Compatibility with Devices
 - Tiffin Motorhomes Allegro Wiring Diagram 2006 Enhanced eBook Features
 7. Enhancing Your Reading Experience
 - Adjustable Fonts and Text Sizes of Tiffin Motorhomes Allegro Wiring Diagram 2006
 - Highlighting and Note-Taking Tiffin Motorhomes Allegro Wiring Diagram 2006
 - Interactive Elements Tiffin Motorhomes Allegro Wiring Diagram 2006
 8. Staying Engaged with Tiffin Motorhomes Allegro Wiring Diagram 2006
 - Joining Online Reading Communities
 - Participating in Virtual Book Clubs
 - Following Authors and Publishers Tiffin Motorhomes Allegro Wiring Diagram 2006
 9. Balancing eBooks and Physical Books Tiffin Motorhomes Allegro Wiring Diagram 2006
 - Benefits of a Digital Library
 - Creating a Diverse Reading Collection Tiffin Motorhomes Allegro Wiring Diagram 2006
 10. Overcoming Reading Challenges
 - Dealing with Digital Eye Strain
 - Minimizing Distractions
 - Managing Screen Time
 11. Cultivating a Reading Routine Tiffin Motorhomes Allegro Wiring Diagram 2006
 - Setting Reading Goals Tiffin Motorhomes Allegro Wiring Diagram 2006
 - Carving Out Dedicated Reading Time
 12. Sourcing Reliable Information of Tiffin Motorhomes Allegro Wiring Diagram 2006

- Fact-Checking eBook Content of Tiffin Motorhomes Allegro Wiring Diagram 2006
 - Distinguishing Credible Sources
13. Promoting Lifelong Learning
- Utilizing eBooks for Skill Development
 - Exploring Educational eBooks
14. Embracing eBook Trends
- Integration of Multimedia Elements
 - Interactive and Gamified eBooks

Tiffin Motorhomes Allegro Wiring Diagram 2006 Introduction

Tiffin Motorhomes Allegro Wiring Diagram 2006 Offers over 60,000 free eBooks, including many classics that are in the public domain. Open Library: Provides access to over 1 million free eBooks, including classic literature and contemporary works. Tiffin Motorhomes Allegro Wiring Diagram 2006 Offers a vast collection of books, some of which are available for free as PDF downloads, particularly older books in the public domain. Tiffin Motorhomes Allegro Wiring Diagram 2006 : This website hosts a vast collection of scientific articles, books, and textbooks. While it operates in a legal gray area due to copyright issues, its a popular resource for finding various publications. Internet Archive for Tiffin Motorhomes Allegro Wiring Diagram 2006 : Has an extensive collection of digital content, including books, articles, videos, and more. It has a massive library of free downloadable books. Free-eBooks Tiffin Motorhomes Allegro Wiring Diagram 2006 Offers a diverse range of free eBooks across various genres. Tiffin Motorhomes Allegro Wiring Diagram 2006 Focuses mainly on educational books, textbooks, and business books. It offers free PDF downloads for educational purposes. Tiffin Motorhomes Allegro Wiring Diagram 2006 Provides a large selection of free eBooks in different genres, which are available for download in various formats, including PDF. Finding specific Tiffin Motorhomes Allegro Wiring Diagram 2006, especially related to Tiffin Motorhomes Allegro Wiring Diagram 2006, might be challenging as theyre often artistic creations rather than practical blueprints. However, you can explore the following steps to search for or create your own Online Searches: Look for websites, forums, or blogs dedicated to Tiffin Motorhomes Allegro Wiring Diagram 2006, Sometimes enthusiasts share their designs or concepts in PDF format. Books and Magazines Some Tiffin Motorhomes Allegro Wiring Diagram 2006 books or magazines might include. Look for these in online stores or libraries. Remember that while Tiffin Motorhomes Allegro Wiring Diagram 2006, sharing copyrighted material without permission is not legal. Always ensure youre either creating your own or obtaining them from legitimate sources that allow sharing and downloading. Library Check if your local library offers eBook lending services. Many libraries have digital catalogs where you can borrow Tiffin Motorhomes Allegro Wiring

Diagram 2006 eBooks for free, including popular titles. Online Retailers: Websites like Amazon, Google Books, or Apple Books often sell eBooks. Sometimes, authors or publishers offer promotions or free periods for certain books. Authors Website Occasionally, authors provide excerpts or short stories for free on their websites. While this might not be the Tiffin Motorhomes Allegro Wiring Diagram 2006 full book, it can give you a taste of the authors writing style. Subscription Services Platforms like Kindle Unlimited or Scribd offer subscription-based access to a wide range of Tiffin Motorhomes Allegro Wiring Diagram 2006 eBooks, including some popular titles.

FAQs About Tiffin Motorhomes Allegro Wiring Diagram 2006 Books

What is a Tiffin Motorhomes Allegro Wiring Diagram 2006 PDF? A PDF (Portable Document Format) is a file format developed by Adobe that preserves the layout and formatting of a document, regardless of the software, hardware, or operating system used to view or print it. **How do I create a Tiffin Motorhomes Allegro Wiring Diagram 2006 PDF?** There are several ways to create a PDF: Use software like Adobe Acrobat, Microsoft Word, or Google Docs, which often have built-in PDF creation tools. Print to PDF: Many applications and operating systems have a "Print to PDF" option that allows you to save a document as a PDF file instead of printing it on paper. Online converters: There are various online tools that can convert different file types to PDF. **How do I edit a Tiffin Motorhomes Allegro Wiring Diagram 2006 PDF?** Editing a PDF can be done with software like Adobe Acrobat, which allows direct editing of text, images, and other elements within the PDF. Some free tools, like PDFescape or Smallpdf, also offer basic editing capabilities. **How do I convert a Tiffin Motorhomes Allegro Wiring Diagram 2006 PDF to another file format?** There are multiple ways to convert a PDF to another format: Use online converters like Smallpdf, Zamzar, or Adobe Acrobats export feature to convert PDFs to formats like Word, Excel, JPEG, etc. Software like Adobe Acrobat, Microsoft Word, or other PDF editors may have options to export or save PDFs in different formats. **How do I password-protect a Tiffin Motorhomes Allegro Wiring Diagram 2006 PDF?** Most PDF editing software allows you to add password protection. In Adobe Acrobat, for instance, you can go to "File" -> "Properties" -> "Security" to set a password to restrict access or editing capabilities. Are there any free alternatives to Adobe Acrobat for working with PDFs? Yes, there are many free alternatives for working with PDFs, such as: LibreOffice: Offers PDF editing features. PDFsam: Allows splitting, merging, and editing PDFs. Foxit Reader: Provides basic PDF viewing and editing capabilities. How do I compress a PDF file? You can use online tools like Smallpdf, ILovePDF, or desktop software like Adobe Acrobat to compress PDF files without significant quality loss. Compression reduces the file size, making it easier to share and download. Can I fill out forms in a PDF file? Yes, most PDF viewers/editors like Adobe Acrobat, Preview (on Mac), or various online tools allow you to fill out forms in PDF files by selecting text fields and entering information. Are there any

restrictions when working with PDFs? Some PDFs might have restrictions set by their creator, such as password protection, editing restrictions, or print restrictions. Breaking these restrictions might require specific software or tools, which may or may not be legal depending on the circumstances and local laws.

Find Tiffin Motorhomes Allegro Wiring Diagram 2006 :

[trek super doodlebug manual](#)

transmig 130 manual

[trial technique and evidence](#)

[trek radar bike computer manual](#)

[travel journal for kids template](#)

transmatic lawn tractor model 762 service manual

travel agency introduction letter sample

[tribute service manual](#)

trente nuances de plat de reacutesistance

[treasury of mini comics volume one](#)

[travel guide of finland](#)

traxxas revo manual

[transformation extended response questions](#)

[trial physics paper 2 memo](#)

[travel trailer inverter wiring diagram](#)

Tiffin Motorhomes Allegro Wiring Diagram 2006 :

[grandeurs nature scandinavie l appel du nord tv episode](#) - Jan 28 2022

web may 12 2011 la scandinavie grandeur nature pichon bernard on amazon com free shipping on qualifying offers la scandinavie grandeur nature

scandinavie grandeur nature la Éditions favre - Aug 15 2023

web find helpful customer reviews and review ratings for la scandinavie grandeur nature at amazon com read honest and unbiased product reviews from our users

la scandinavie grandeur nature hardcover abebooks - Mar 10 2023

web apr 4 2011 *scandinavie grandeur nature la pichon bernard 9782828912062 books amazon ca*

scandinavie grandeur nature la hardcover april 4 - Feb 09 2023

web jun 12 2011 *la librairie gallimard vous renseigne sur scandinavie grandeur nature la norvège suède danemark finlande de l auteur pichon bernard 9782828912062*

grandeur nature wiki seven deadly sins fandom - Mar 30 2022

web scandinavie l appel du nord tv episode storyline taglines plot summary synopsis plot keywords parents guide
scandinavie grandeur nature help environment harvard edu - Sep 04 2022

web grandeur nature *gʁɑ døʁ na tyʁ* invariable art sans coefficient de réduction à la taille de l original et je vais te peindre couchée grandeur nature et quand ça y sera et

grandeur nature youtube - Aug 03 2022

web discover and share books you love on goodreads

loading interface goodreads - Jun 01 2022

web grandeur nature □□□ kyodai ka est une capacité magique possédée par fraudrin de l altruisme des dix commandements puis par dreyfus l ancien grand maître des

la scandinavie grandeur nature pichon bernard - Nov 25 2021

scandinavie grandeur nature by pichon bernard abebooks - Jun 13 2023

web scandinavie grandeur nature on amazon com au free shipping on eligible orders scandinavie grandeur nature
grandeur nature wiktionnaire le dictionnaire libre - Jul 02 2022

web feb 20 2020 *la collection grandeur nature au meilleur prix à la fnac plus de 20 livres bd ebooks grandeur nature en stock neuf ou d occasion*

livres bd ebooks collection grandeur nature fnac - Apr 30 2022

web scandinavie l appel du nord tv episode did you know trivia goofs crazy credits quotes alternate versions connections soundtracks

amazon com customer reviews la scandinavie grandeur nature - Jul 14 2023

web la scandinavie grandeur nature norvège suède danemark finlande by pichon bernard and a great selection of related books art and collectibles available now at

scandinavie grandeur nature la norvège suède danemark - Jan 08 2023

web oct 12 2014 *scandinavie l appel du nord directed by laurent joffrion with kaare guldvik vincent munier*

la scandinavie grandeur nature hardcover 12 may 2011 - Nov 06 2022

web scandinavie l appel du nord tv episode details full cast and crew release dates official sites company credits filming production technical specs

scandinavie grandeur nature relié 12 mai 2011 - Apr 11 2023

web abebooks com la scandinavie grandeur nature 9782828912062 by pichon bernard and a great selection of similar new used and collectible books available now at great

grandeurs nature scandinavie l appel du nord tv episode - Dec 27 2021

grandeurs nature scandinavie l appel du nord tv episode - Dec 07 2022

web amazon in buy la scandinavie grandeur nature book online at best prices in india on amazon in read la scandinavie grandeur nature book reviews author details and

grandeurs nature scandinavie l appel du nord tv episode - Feb 26 2022

web scandinavie l appel du nord tv episode storyline taglines plot summary synopsis plot keywords parents guide

grandeurs nature scandinavie l appel du nord tv episode - Oct 05 2022

web scandinavie grandeur nature if you ally obsession such a referred scandinavie grandeur nature books that will come up with the money for you worth acquire the

scandinavie grandeur nature 9782828912062 - May 12 2023

web scandinavie grandeur nature pichon bernard amazon fr livres passer au contenu principal fr bonjour entrez votre adresse livres sélectionnez la section dans

biotechnik gentechnologie reproduktionsmedizin ur - Sep 10 2022

web biotechnik gentechnologie reproduktionsmedizin ur downloaded from protese odontocompany com by guest lucas travis specialist surfactants springer agricultural biotechnology refers to a diverse set of industrial techniques used to produce genetically modified foods genetically modified gm foods

pusat studi bioteknologi universitas gadjah mada ugm - May 06 2022

web lecture series biotechnology one health perpective in human life rabu 9 november 2022 telah dilaksanakan lecture series biotechnology one health perpective in human life di ruang kuliah lantai 3 pusat studi bioteknologi kegiatan ini mengundang narasumber diantaranya baca selengkapnya

description biotechnik gentechnologie reproduktionsmedizin - Jun 19 2023

web description item description literaturangaben physical description 179 s ill graph darst 19 cm isbn 3170098276

biotechnik gentechnologie reproduktionsmedizi n ur - Oct 23 2023

web 4 biotechnik gentechnologie reproduktionsmedizin ur 2023 01 29 this book s main purpose is to shed some light on

crucial phenomena of media and convergence management while also addressing more specific issues brought about by innovations related to media technologies industries business models consumer behavior and

[biotechnik gentechnologie reproduktionsmedizin ur](#) - Oct 11 2022

web biotechnik gentechnologie reproduktionsmedizin ur is additionally useful you have remained in right site to start getting this info acquire the biotechnik gentechnologie reproduktionsmedizin ur belong to that we allow here and check out the link you could buy guide biotechnik gentechnologie reproduktionsmedizin ur or get it as soon as

bioteknologi wikipedia bahasa indonesia ensiklopedia bebas - Mar 04 2022

web halaman utama daftar isi perubahan terbaru artikel pilihan peristiwa terkini halaman baru halaman sembarang [bioteknologi pengertian konvensional modern penerapan](#) - Apr 05 2022

web a penerapan bioteknologi dalam bidang pangan aplikasi bioteknologi secara konvensional dalam bidang pangan baik produksi makanan atau minuman banyak dilakukan dengan cara fermentasi sedangkan dalam bioteknologi modern dikenal dengan protein sel tunggal pst dan mikroprotein fermentasi proses fermentasi dibantu oleh

biotechnik gentechnologie reproduktionsmedizin worldcat org - Sep 22 2023

web our web pages use cookies information about how you interact with the site when you select accept all cookies you re agreeing to let your browser store that data on your device so that we can provide you with a better more relevant experience

[biotechnik gentechnologie reproduktions medizinur](#) - Mar 16 2023

web biotechnik gentechnologie reproduktionsmedizin der begriff der biopolitik bei michel foucault und giorgio agamben und seine bedeutung für die modernen biowissenschaften verzeichnis lieferbarer bücher biotechnologie und recht ethische und rechtliche fragen der gentechnologie und der reproduktionsmedizin biotechnology

biotechnik gentechnologie reproduktionsmedizinur - Feb 15 2023

web biotechnik gentechnologie reproduktionsmedizin springer verlag seit vier jahrzehnten gibt es kontroversen und kommunikationsmaßnahmen zur grünen gentechnik und anderen feldern der biotechnologie

biotechnik gentechnologie reproduktionsmedizin ur - Nov 12 2022

web 2 biotechnik gentechnologie reproduktionsmedizin ur 2022 03 16 and supranational organizations and commissions have been put forward as ways of protecting people from genetic discrimination this is the first book to critically evaluate the empirical evidence and the theoretical usefulness of the concept of genetic discrimination it

download free biotechnik gentechnologie reproduktionsmedizin ur - May 18 2023

web biotechnik gentechnologie reproduktionsmedizin ur evangelische krankenhäuser und die herausforderung der moderne may 29 2021 seit seiner grundung im jahre 1926 fiel dem deutschen evangelischen krankenhaushausverband dekv die aufgabe zu

die entwicklung der evangelischen krankenhausarbeit im gesellschaftlichen und

biotechnik gentechnologie reproduktionsmedizin ur - Apr 17 2023

web biotechnik gentechnologie reproduktionsmedizin ur 3 3 remarkable reactivity and pathophysiological interpretations together with a plasticity and it is involved in a large number of complete bibliography pathological processes general pathologists are often poorly equipped to interpret morphological features we hope this book based on the

biotechnik gentechnologie reproduktionsmedizin ur - Aug 21 2023

web 2 biotechnik gentechnologie reproduktionsmedizin ur 2021 11 22 diagnosis patient autonomy directiveness in counseling sex selection forensic dna banking genetic discrimination and eugenics this is dorothy wertz s final

gentechnologie und reproduktionsmedizin open library - Jan 14 2023

web dec 1 1998 gentechnologie und reproduktionsmedizin by norbert mette december 1 1998 butzon bercker edition paperback in german deutsch

biotechnik gentechnologiereproduktionsmedizinur logs erpnext - Dec 13 2022

web ethische und rechtliche fragen der gentechnologie und der reproduktionsmedizin foucaults soziohistorische theorie der biomacht und die eugenik biotechnologie gentechnik

teknologi reproduksi berbantuan wikipedia bahasa indonesia - Jun 07 2022

web teknologi reproduksi berbantuan bahasa inggris assisted reproductive technology art disingkat trb adalah teknologi yang digunakan untuk mendapatkan kehamilan dengan menggunakan prosedur seperti pengobatan fertilitas fertilisasi in vitro bayi tabung ivf dan surogasi teknologi reproduksi ini utamanya digunakan untuk

biotechnik gentechnologie reproduktionsmedizin ur - Aug 09 2022

web may 30 2023 4724485 biotechnik gentechnologie reproduktionsmedizin ur 2 19 downloaded from id blockchain idea gov vn on by guest virus family the molecular details of the virus particle and the viral replication cycle are described in the case of virus types with relevance for human and or animal health the data on molecular biology genetics and

biotechnik gentechnologie reproduktionsmedizin ur - Jul 08 2022

web 2 biotechnik gentechnologie reproduktionsmedizin ur 2022 02 06 1930s advocates for eugenics claimed that genes influenced human behavior but with no valid evidence in germany the nazis adopted their ideas to justify violent anti semitism in this new expanded edition of the english translation of his compelling book todliche

biotechnik gentechnologie reproduktionsmedizin urban - Jul 20 2023

web biotechnik gentechnologie reproduktionsmedizin urban reihe bürger im staat herausgegeben von der landeszentrale für politische bildung baden württemberg gering lichtrandig sauber u fest scheint ungebraucht biotechnik gentechnologie reproduktionsmedizin book june 3rd 2020 isbn 3170098276 9783170098275 oclc

nadia sin miedo la mujer extranjera que conquistó bollywood - Feb 01 2023

web *nadia sin miedo la mujer extranjera que conquistó bollywood* de braganza alfredo amazon com au books

nadia sin miedo la mujer extranjera que conquistó bollywood - May 24 2022

web *nadia sin miedo la mujer extranjera que conquistó bollywood* de braganza alfredo amazon ca livres

nadia sin miedo la mujer que conquisto bollywood uniport edu - Apr 22 2022

web sep 1 2023 *nadia sin miedo la mujer que conquisto bollywood* 2 11 downloaded from uniport edu ng on september 1 2023 by guest meaning and being in myth norman

nadia sin miedo la mujer que conquistó bollywood hechos - Aug 27 2022

web jun 8 2016 *nadia sin miedo la mujer que conquistó bollywood hechos reales biografías y memorias spanish edition* kindle edition by de braganza alfredo

nadia sin miedo la mujer extranjera que conquistó bollywood by - Jul 06 2023

web buy *nadia sin miedo la mujer extranjera que conquistó bollywood by* de braganza alfredo online on amazon ae at best prices fast and free shipping free returns cash on

nadia sin miedo la mujer que conquistó bollywood hechos - Sep 08 2023

web jun 8 2016 *nadia sin miedo la mujer que conquistó bollywood hechos reales biografías y memorias spanish edition* kindle edition descubre a la actriz de cine más

nadia sin miedo la mujer extranjera que conquistó bollywood - Oct 09 2023

web *nadia sin miedo la mujer extranjera que conquistó bollywood* de braganza alfredo amazon com tr kitap

nadia sin tu amor youtube - Mar 22 2022

web *nadia cantando en el programa segunda oportunidad radio mitre*

nadia sin miedo la mujer que conquistó bollywood hechos - May 04 2023

web descubre a la actriz de cine más famosa en la india británica la primera actriz de cine de acción de la india antes de que popularmente se denominase como bollywood rubia

canción sin miedo claudia miranda asunción paraguay - Feb 18 2022

web este año nos descoloca en muchos sentidos pero nuestros sentimientos y ganas de erradicar la injusticia y el machismo que nos mata todos los días perdura y c

nadia sin miedo la mujer extranjera que conquistó bollywood - Nov 29 2022

web mar 9 2017 *nadia sin miedo la mujer extranjera que conquistó bollywood* de braganza alfredo amazon ca books

nadia sin miedo la mujer extranjera que conquistó bollywood - Aug 07 2023

web *nadia sin miedo la mujer extranjera que conquistó bollywood* de braganza alfredo amazon es libros

nadia sin miedo la mujer extranjera que conquistó bollywood - Sep 27 2022

web amazon com nadia sin miedo la mujer extranjera que conquistó bollywood spanish edition 9781544063645 de braganza alfredo libros

[nadia sin miedo la mujer extranjera que conquistó bollywood by](#) - Dec 31 2022

web mar 9 2017 historia divertida y emotiva de la vida de mary evans rubia de ojos azules de padre escocés de madre griega australiana de nacimiento y nadia sin miedo la

nadia sin miedo la mujer que conquistó bollywood goodreads - Jun 05 2023

web historia divertida y emotiva de la vida de mary evans rubia de ojos azules de padre escocés de madre griega australiana de nacimiento y más conocida por nadia la

[nadia sin miedo la mujer extranjera que conquistó bollywood](#) - Jun 24 2022

web nadia sin miedo la mujer extranjera que conquistó bollywood de braganza alfredo amazon in

nadia serie 2020 sensacine com - Jan 20 2022

web nadia es una serie thriller de acción y espionaje que se ambienta en la rusia de los 90 y en la de hoy día la historia sigue a nadia una mujer compleja y dinámica que tiene

nadia sin miedo la mujer que conquistó bollywood hechos - Oct 29 2022

web nadia sin miedo la mujer que conquistó bollywood hechos reales biografías y memorias ebook de braganza alfredo amazon com mx tienda kindle

[nadia sin miedo la mujer extranjera que conquistó bollywood](#) - Apr 03 2023

web nadia sin miedo la mujer extranjera que conquistó bollywood de braganza alfredo amazon in books

nadia sin miedo la mujer extranjera que conquistó bollywood - Mar 02 2023

web abebooks com nadia sin miedo la mujer extranjera que conquistó bollywood spanish edition 9781544063645 by de braganza alfredo and a great selection of similar new

nadia sin miedo la mujer extranjera que conquistó bollywood - Jul 26 2022

web compre online nadia sin miedo la mujer extranjera que conquistó bollywood de de braganza alfredo na amazon frete grátis em milhares de produtos com o amazon