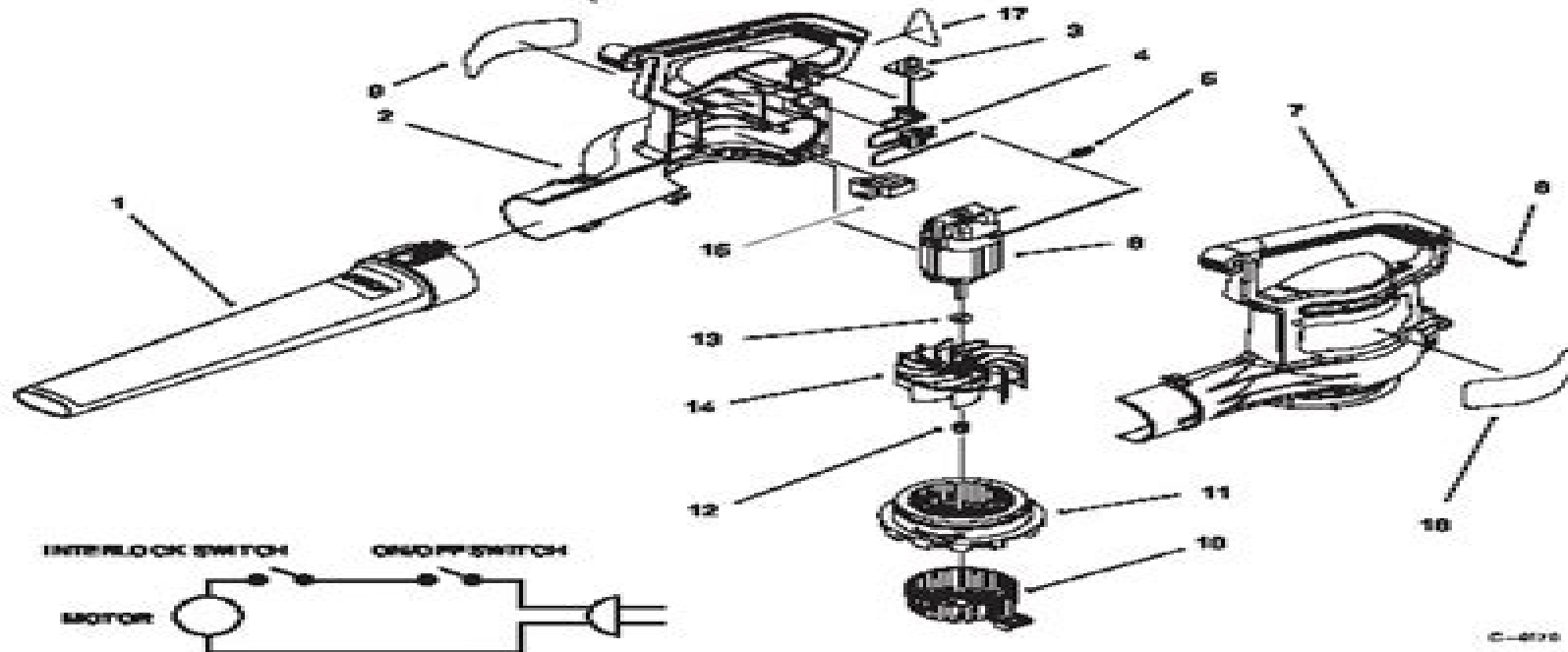




MODEL NO. 51549-5900001 & UP

PARTS CATALOG

RAKE & VAC™
Blower & Vacuum



C-679

BLOWER ASSEMBLY

Ref. No.	Part No.	Description	No. Used
1	93-0571	Tube - Blower	1
2	93-0562	Housing - R.H.	1
3	93-0566	Cover - Switch	1
4	93-0578	Hammer Assembly	1
5	73-6570	Connector - Wire Nut	1
6	93-0577	Motor	1
7	93-0560	Housing - L.H.	1
8	94-4495	Screw - Phillips Hd. Tap	8
9	93-0588	Decal - Logo	1

Ref. No.	Part No.	Description	No. Used
10	93-0570	Choke - Air	1
11	93-0568	Cover - Inlet	1
12	73-5880	Nut - Cap Hex	1
13	93-0585	Washer	1
14	93-0564	Impeller	1
15	93-0567	Switch - Interlock	1
16	93-7697	Decal - Warning	1
17	95-5105	Decal - Information	1

1 Included in tube assembly No. 03-0363

Toro Rake And Vac Manual

David Baud



Toro Rake And Vac Manual:

Public Works Manual ,1993 **Gardening Groundskeeper** ,1970 Sales Promotion Robert C. Blattberg, Scott A. Neslin,1990 *Golf Business* ,1974 **Southern Golf** ,1989 **Suffolk County Farm and Home Bureau News** ,1992
Farmers and Consumers Market Bulletin ,2011 Electronics Now ,1996-10 *Thomas Register of American Manufacturers and Thomas Register Catalog File* ,1997 Vols for 1970 71 includes manufacturers catalogs **American Export Register** ,1980 *Toro Trimmer 1010 Model No. 51255-8000001 & Up Operator's Manual* Toro Company,1987
Maintenance Manual General Motors Corporation. GMC Truck & Coach Division,1966 **Toro-flow Diesel Engine** General Motors Corporation. Truck & Coach Division,1968

As recognized, adventure as capably as experience not quite lesson, amusement, as without difficulty as concurrence can be gotten by just checking out a ebook **Toro Rake And Vac Manual** plus it is not directly done, you could undertake even more on this life, all but the world.

We offer you this proper as with ease as simple exaggeration to acquire those all. We come up with the money for Toro Rake And Vac Manual and numerous books collections from fictions to scientific research in any way. accompanied by them is this Toro Rake And Vac Manual that can be your partner.

<http://www.frostbox.com/public/Resources/default.aspx/Sun%20Vat%2040%20Tester%20Manual.pdf>

Table of Contents Toro Rake And Vac Manual

1. Understanding the eBook Toro Rake And Vac Manual
 - The Rise of Digital Reading Toro Rake And Vac Manual
 - Advantages of eBooks Over Traditional Books
2. Identifying Toro Rake And Vac Manual
 - Exploring Different Genres
 - Considering Fiction vs. Non-Fiction
 - Determining Your Reading Goals
3. Choosing the Right eBook Platform
 - Popular eBook Platforms
 - Features to Look for in an Toro Rake And Vac Manual
 - User-Friendly Interface
4. Exploring eBook Recommendations from Toro Rake And Vac Manual
 - Personalized Recommendations
 - Toro Rake And Vac Manual User Reviews and Ratings
 - Toro Rake And Vac Manual and Bestseller Lists
5. Accessing Toro Rake And Vac Manual Free and Paid eBooks

- Toro Rake And Vac Manual Public Domain eBooks
 - Toro Rake And Vac Manual eBook Subscription Services
 - Toro Rake And Vac Manual Budget-Friendly Options
6. Navigating Toro Rake And Vac Manual eBook Formats
- ePub, PDF, MOBI, and More
 - Toro Rake And Vac Manual Compatibility with Devices
 - Toro Rake And Vac Manual Enhanced eBook Features
7. Enhancing Your Reading Experience
- Adjustable Fonts and Text Sizes of Toro Rake And Vac Manual
 - Highlighting and Note-Taking Toro Rake And Vac Manual
 - Interactive Elements Toro Rake And Vac Manual
8. Staying Engaged with Toro Rake And Vac Manual
- Joining Online Reading Communities
 - Participating in Virtual Book Clubs
 - Following Authors and Publishers Toro Rake And Vac Manual
9. Balancing eBooks and Physical Books Toro Rake And Vac Manual
- Benefits of a Digital Library
 - Creating a Diverse Reading Collection Toro Rake And Vac Manual
10. Overcoming Reading Challenges
- Dealing with Digital Eye Strain
 - Minimizing Distractions
 - Managing Screen Time
11. Cultivating a Reading Routine Toro Rake And Vac Manual
- Setting Reading Goals Toro Rake And Vac Manual
 - Carving Out Dedicated Reading Time
12. Sourcing Reliable Information of Toro Rake And Vac Manual
- Fact-Checking eBook Content of Toro Rake And Vac Manual
 - Distinguishing Credible Sources
13. Promoting Lifelong Learning
- Utilizing eBooks for Skill Development

- Exploring Educational eBooks
14. Embracing eBook Trends
- Integration of Multimedia Elements
 - Interactive and Gamified eBooks

Toro Rake And Vac Manual Introduction

Toro Rake And Vac Manual Offers over 60,000 free eBooks, including many classics that are in the public domain. Open Library: Provides access to over 1 million free eBooks, including classic literature and contemporary works. Toro Rake And Vac Manual Offers a vast collection of books, some of which are available for free as PDF downloads, particularly older books in the public domain. Toro Rake And Vac Manual : This website hosts a vast collection of scientific articles, books, and textbooks. While it operates in a legal gray area due to copyright issues, its a popular resource for finding various publications. Internet Archive for Toro Rake And Vac Manual : Has an extensive collection of digital content, including books, articles, videos, and more. It has a massive library of free downloadable books. Free-eBooks Toro Rake And Vac Manual Offers a diverse range of free eBooks across various genres. Toro Rake And Vac Manual Focuses mainly on educational books, textbooks, and business books. It offers free PDF downloads for educational purposes. Toro Rake And Vac Manual Provides a large selection of free eBooks in different genres, which are available for download in various formats, including PDF. Finding specific Toro Rake And Vac Manual, especially related to Toro Rake And Vac Manual, might be challenging as theyre often artistic creations rather than practical blueprints. However, you can explore the following steps to search for or create your own Online Searches: Look for websites, forums, or blogs dedicated to Toro Rake And Vac Manual, Sometimes enthusiasts share their designs or concepts in PDF format. Books and Magazines Some Toro Rake And Vac Manual books or magazines might include. Look for these in online stores or libraries. Remember that while Toro Rake And Vac Manual, sharing copyrighted material without permission is not legal. Always ensure youre either creating your own or obtaining them from legitimate sources that allow sharing and downloading. Library Check if your local library offers eBook lending services. Many libraries have digital catalogs where you can borrow Toro Rake And Vac Manual eBooks for free, including popular titles. Online Retailers: Websites like Amazon, Google Books, or Apple Books often sell eBooks. Sometimes, authors or publishers offer promotions or free periods for certain books. Authors Website Occasionally, authors provide excerpts or short stories for free on their websites. While this might not be the Toro Rake And Vac Manual full book , it can give you a taste of the authors writing style. Subscription Services Platforms like Kindle Unlimited or Scribd offer subscription-based access to a wide range of Toro Rake And Vac Manual eBooks, including some popular titles.

FAQs About Toro Rake And Vac Manual Books

How do I know which eBook platform is the best for me? Finding the best eBook platform depends on your reading preferences and device compatibility. Research different platforms, read user reviews, and explore their features before making a choice. Are free eBooks of good quality? Yes, many reputable platforms offer high-quality free eBooks, including classics and public domain works. However, make sure to verify the source to ensure the eBook credibility. Can I read eBooks without an eReader? Absolutely! Most eBook platforms offer webbased readers or mobile apps that allow you to read eBooks on your computer, tablet, or smartphone. How do I avoid digital eye strain while reading eBooks? To prevent digital eye strain, take regular breaks, adjust the font size and background color, and ensure proper lighting while reading eBooks. What the advantage of interactive eBooks? Interactive eBooks incorporate multimedia elements, quizzes, and activities, enhancing the reader engagement and providing a more immersive learning experience. Toro Rake And Vac Manual is one of the best book in our library for free trial. We provide copy of Toro Rake And Vac Manual in digital format, so the resources that you find are reliable. There are also many Ebooks of related with Toro Rake And Vac Manual. Where to download Toro Rake And Vac Manual online for free? Are you looking for Toro Rake And Vac Manual PDF? This is definitely going to save you time and cash in something you should think about. If you trying to find then search around for online. Without a doubt there are numerous these available and many of them have the freedom. However without doubt you receive whatever you purchase. An alternate way to get ideas is always to check another Toro Rake And Vac Manual. This method for see exactly what may be included and adopt these ideas to your book. This site will almost certainly help you save time and effort, money and stress. If you are looking for free books then you really should consider finding to assist you try this. Several of Toro Rake And Vac Manual are for sale to free while some are payable. If you arent sure if the books you would like to download works with for usage along with your computer, it is possible to download free trials. The free guides make it easy for someone to free access online library for download books to your device. You can get free download on free trial for lots of books categories. Our library is the biggest of these that have literally hundreds of thousands of different products categories represented. You will also see that there are specific sites catered to different product types or categories, brands or niches related with Toro Rake And Vac Manual. So depending on what exactly you are searching, you will be able to choose e books to suit your own need. Need to access completely for Campbell Biology Seventh Edition book? Access Ebook without any digging. And by having access to our ebook online or by storing it on your computer, you have convenient answers with Toro Rake And Vac Manual To get started finding Toro Rake And Vac Manual, you are right to find our website which has a comprehensive collection of books online. Our library is the biggest of these that have literally hundreds of thousands of different products represented. You will also see that there are specific sites catered to different categories or niches related with Toro Rake And Vac Manual So depending on what exactly you are searching, you will be able to choose ebook to suit

your own need. Thank you for reading Toro Rake And Vac Manual. Maybe you have knowledge that, people have search numerous times for their favorite readings like this Toro Rake And Vac Manual, but end up in harmful downloads. Rather than reading a good book with a cup of coffee in the afternoon, instead they juggled with some harmful bugs inside their laptop. Toro Rake And Vac Manual is available in our book collection an online access to it is set as public so you can download it instantly. Our digital library spans in multiple locations, allowing you to get the most less latency time to download any of our books like this one. Merely said, Toro Rake And Vac Manual is universally compatible with any devices to read.

Find Toro Rake And Vac Manual :

sun vat 40 tester manual

sullivan precalculus solutions manual

sudy guide answers to questions gov

summer math packet 6th going into 7th

summit scr600l css refrigerators owners manual

summit 3208 programming manual

succession how do ecosystems develop over time worksheet

sunbeam 3284 coffee makers owners manual

sullair supervisor controller manual

suncast rsh12user guide

sullair srd dryer manual

succession how do ecosystems develop over time pogil

sunday morning church service opening christian invocations

summary board members present professional staff present

sunbeam 3112 user guide

Toro Rake And Vac Manual :

introducing infinity a graphic guide graphic guides - Apr 12 2023

web buy introducing infinity a graphic guide graphic guides illustrated by clegg brian pugh oliver isbn 9781848314061 from amazon s book store everyday low prices and free delivery on eligible orders

[introducing infinity a graphic guide paperback university](#) - Oct 06 2022

web a brand new graphic guide from brian clegg author of the best selling inflight science introducing infinity will teach you all you need to know about this big idea from mathematicians driven mad by transfinite numbers to the ancient greeks who drowned the man that discovered an endless number

introducing infinity a graphic guide brian clegg - Dec 28 2021

web introducing infinity a graphic guide brian clegg 5 6 week 5 references the girl for me ebook by failte 1 of 5 stars 2 of 5 stars 3 of 5 stars 4 of 5 stars 5 of 5 stars personalized learning pathways 363502

[introducing infinity a graphic guide graphic guides ebook](#) - Sep 05 2022

web brian clegg and oliver pugh s brilliant graphic tour of infinity features a cast of characters ranging from archimedes and pythagoras to al khwarizmi fibonacci galileo newton leibniz cantor venn gödel and mandelbrot and shows how infinity has challenged the finest minds of science and mathematics prepare to enter a world of paradox

introducing infinity a graphic guide brian clegg fiyat satın - Jun 14 2023

web brian clegg and oliver pugh s brilliant graphic tour of infinity features a cast of characters ranging from archimedes and pythagoras to al khwarizmi fibonacci galileo newton leibniz cantor venn gödel and mandelbrot and shows how infinity has challenged the finest minds of science and mathematics

introducing infinity a graphic guide anna s archive - Jul 03 2022

web brian clegg and oliver pugh s brilliant graphic tour of infinity features a cast of characters ranging from archimedes and pythagoras to al khwarizmi fibonacci galileo newton leibniz cantor venn gödel and mandelbrot and shows how infinity has challenged the finest minds of science and mathematics

pdf epub introducing infinity a graphic guide download - May 01 2022

web aug 6 2022 a brand new graphic guide from brian clegg author of the best selling inflight science introducing infinity will teach you all you need to know about this big idea from mathematicians driven mad by transfinite numbers to the ancient greeks who drowned the man that discovered an endless number

introducing infinity a graphic guide kağıt kapak amazon com tr - May 13 2023

web introducing infinity a graphic guide clegg brian amazon com tr kitap Çerez tercihlerinizi seçin Çerez bildirimimizde detaylandırıldığı üzere satın alım yapmanızı sağlamak alışveriş deneyiminizi geliştirmek ve hizmetlerimizi sunmak için gerekli olan çerezleri ve benzer araçları kullanıyoruz

loading interface goodreads - Feb 27 2022

web discover and share books you love on goodreads

introducing infinity a graphic guide graphic guides - Feb 10 2023

web dec 1 2014 brian clegg and oliver pugh s brilliant graphic tour of infinity features a cast of characters ranging from archimedes and pythagoras to al khwarizmi fibonacci galileo newton leibniz cantor venn gödel and mandelbrot and shows how infinity has challenged the finest minds of science and mathematics

introducing infinity a graphic guide amazon com - Jul 15 2023

web jan 1 2013 a brand new graphic guide from brian clegg author of the best selling inflight science introducing infinity will teach you all you need to know about this big idea from mathematicians driven mad by transfinite numbers to the ancient greeks who drowned the man that discovered an endless number

introducing infinity a graphic guide goodreads - Jun 02 2022

web dec 11 2012 brian clegg and oliver pugh s brilliant graphic tour of infinity features a cast of characters ranging from archimedes and pythagoras to al khwarizmi fibonacci galileo newton leibniz cantor venn gödel and mandelbrot and shows how infinity has challenged the finest minds of science and mathematics

introducing infinity a graphic guide graphic guides - Aug 04 2022

web brian clegg and oliver pugh s brilliant graphic tour of infinity features a cast of characters ranging from archimedes and pythagoras to al khwarizmi fibonacci galileo newton leibniz cantor venn gödel and mandelbrot and shows how infinity has challenged the finest minds of science and mathematics prepare to enter a world of paradox

introducing infinity a graphic guide brian clegg - Jan 29 2022

web mar 4 2022 introducing infinity a graphic guide brian clegg whatever we do affects millions of people not only those that are in school now but parents and future generations when we take any action we have to understand that there is a great responsibility for tomorrow

introducing infinity a graphic guide google books - Dec 08 2022

web a german mathematician was driven mad by the repercussions of his discovery of transfinite numbers how will you fare brian clegg and oliver pugh s brilliant graphic introduction to infinity is the unique endlessly fascinating guide www wheelers co nz

introducing infinity a graphic guide google books - Aug 16 2023

web dec 1 2014 brian clegg and oliver pugh s brilliant graphic tour of infinity features a cast of characters ranging from archimedes and pythagoras to al khwarizmi fibonacci galileo newton leibniz

subscribe to introducing infinity a graphic guide digital archive - Nov 07 2022

web subscribe to the digital archive of introducing infinity a graphic guide for fully searchable access across web ios and android devices

introducing infinity a graphic guide google play - Jan 09 2023

web introducing infinity a graphic guide brian clegg dec 2014 icon books ltd 4 2 4 reviews ebook 176 pages eligible info 5 67
ebook free sample add to wishlist buy as gift arrow forward

introducing infinity introducing books graphic guides - Mar 11 2023

web sep 6 2012 brian clegg and oliver pugh s brilliant graphic tour of infinity features a cast of characters ranging from archimedes and pythagoras to al khwarizmi fibonacci galileo newton leibniz cantor venn gödel and mandelbrot and shows how infinity has challenged the finest minds of science and mathematics

introducing infinity a graphic guide math monday youtube - Mar 31 2022

web apr 17 2023 today i am reviewing introducing infinity a graphic guide by brian clegg and oliver pugh illustrator brian clegg welcome to another math monday

the alchemist paulo coelho amazon in books - Jul 01 2022

web details sold by blacknest enterprises add to cart

the alchemist 25th anniversary edition by paulo coelho - Aug 02 2022

web apr 15 2014 books lorem ipsum dolor nam faucibus tellus nec varius faucibus lorem nisl dignissim risus vitae suscipit lectus non eros add to wishlist the alchemist 25th anniversary edition by paulo coelho 4 2 1705 write a review paperback 25th anniversary edition 14 99 17 99 save 17 hardcover 26 99 paperback 14 99

the alchemist coelho paulo amazon ca books - Jan 27 2022

web apr 15 2014 books literature fiction genre fiction buy new 21 99 free delivery wednesday october 4 on your first order details or fastest delivery tomorrow october 1 order within 6 hrs 6 mins details select delivery location in stock quantity buy now payment secure transaction ships from amazon ca sold by amazon ca

the alchemist by paulo coelho plot summary litcharts - Dec 06 2022

web prologue in the prologue the alchemist reads a story about narcissus a youth so fascinated by his own beautiful reflection that he falls into a lake and drowns in this version of the story the goddess of the forest encounters the lake in which narcissus drowned

the alchemist paulo coelho google books - Apr 10 2023

web a special 25th anniversary edition of the extraordinary international bestseller including a new foreword by paulo coelho combining magic mysticism wisdom and wonder into an inspiring tale

the alchemist full book summary sparknotes - Jul 13 2023

web a short summary of paulo coelho s the alchemist this free synopsis covers all the crucial plot points of the alchemist

paulo coelho author of the alchemist biography - Sep 03 2022

web apr 2 2014 famous authors writers paulo coelho wrote the best selling novel the alchemist which sold 35 million copies

and is the most translated book in the world by a living author updated

the alchemist by paulo coelho goodreads - Aug 14 2023

web jan 1 1988 o alquimista the alchemist paulo coelho paulo coelho s masterpiece tells the mystical story of santiago an andalusian shepherd boy who yearns to travel in search of a worldly treasure his quest will lead him to riches far different and far more satisfying than he ever imagined

the alchemist by paulo coelho waterstones - Feb 25 2022

web nov 13 1995 with paulo coelho s visionary blend of spirituality magical realism and folklore the alchemist is a story with the power to inspire nations and change people s lives publisher harpercollins publishers isbn 9780722532935 number of pages 224 weight 140 g dimensions 198 x 129 x 13 mm media reviews

the alchemist novel wikipedia - Sep 15 2023

web the alchemist portuguese o alquimista is a novel by brazilian author paulo coelho which was first published in 1988 originally written in portuguese it became a widely translated international bestseller

the alchemist coelho paulo author free download borrow - Nov 05 2022

web mar 9 2022 english x 182 pages 21 cm a special 25th anniversary edition of paulo coelho s extraordinary international bestselling phenomenon the inspiring spiritual tale of self discovery that has touched millions of lives around the world combining magic mysticism wisdom and wonder the alchemist has become a modern classic selling

the alchemist coelho paulo free download borrow and - Mar 09 2023

web paulo coelho s masterpiece tells the mystical story of santiago an andalusian shepherd boy who yearns to travel in search of a worldly treasure his quest will lead him to riches far different and far more satisfying than he ever imagined

paulo coelho the alchemist free download borrow and - May 31 2022

web apr 12 2015 the alchemist a novel by paulo coelho addeddate 2015 04 12 00 28 52 identifier paulocoelhothealchemist identifier ark ark 13960 t3b02jf79 ocr abbyy finereader 9 0 ppi 300 scanner internet archive html5 uploader 1 6 1 plus circle add review comment reviews

the alchemist novel by coelho britannica - Jan 07 2023

web coelho published o alquimista the alchemist a mystical account of an andalusian shepherd boy s journey across north africa in search of treasure after being dropped by its first publisher the book was reissued to great success in brazil and in translation abroad his memoir as valquírias 1992 the valkyries recounts a read more

the alchemist 1988 a novel by paulo coelho - Feb 08 2023

web the alchemist follows the journey of an andalusian shepherd boy named santiago believing a recurring dream to be prophetic he asks a romani fortune teller in a nearby town about its meaning

the alchemist by paulo coelho audiobooks on google play - Apr 29 2022

web the alchemist by paulo coelho continues to change the lives of its readers forever with more than two million copies sold around the world the alchemist has established itself as a modern classic universally admired paulo coelho s masterpiece tells the magical story of santiago an andalusian shepherd boy who yearns to travel in search of

amazon com the alchemist 9780061122415 paulo coelho - May 11 2023

web apr 25 1993 the alchemist by paulo coelho is an inspirational story of santiago a youthful spanish shepherd in the rolling hills of andalusia the boy has deep attachment with his flock but realizing that they are devoid of aesthetic sense and appreciation for nature which he beholds loves and admires the course of his life changes

the alchemist internet archive - Mar 29 2022

web the alchemist paulo coelho translated by alan r clarke contents introduction i remember receiving a letter from the american publisher harper ollins prologue the alchemist picked up a book that someone in the o ne the boy s name was santiago usk was falling as the wo the boy had been working for

[the alchemist study guide sparknotes](#) - Jun 12 2023

web buy now the alchemist is a novel by paulo coelho that was first published in 1988 the novel is rich with allusions to biblical parables multiple systems of faith and elements of myth that hint at its theme an exploration of the necessity of pursuing one s personal legend the ultimate goal or joy in life

the alchemist overview thoughtco - Oct 04 2022

web sep 13 2019 the alchemist is an allegorical novel published in 1988 by paulo coelho after an initial lukewarm reception it became a worldwide bestseller with more than 65 million copies sold fast facts the alchemist title the alchemist author paulo coelho publisher rocco an obscure brazilian publishing house year published 1988

an eighteenth century neapolitan crib in malta - Aug 03 2022

web this book is about fr edgar vella neapolitan crib which knows its success mainly to three factors light form and colour that fused together reveal the infinite love of god towards humanity to the point of taking the form of man and being born poor among the poor to redeem all in the same manner the rich the powerful the

an eighteenth century neapolitan crib in malta the evolution of - Feb 26 2022

web an eighteenth century neapolitan crib in malta the evolution of the italian crib a threshold to the bourbon crib edgar vella amazon com au books

eighteenth century neapolitan crib in malta abebooks - Apr 30 2022

web jan 28 2020 abebooks com eighteenth century neapolitan crib in malta the evolution of the italian crib a threshold to the bourbon crib

an eighteenth century neapolitan crib in malta hardcover - Jan 28 2022

web an eighteenth century neapolitan crib in malta vella edgar amazon sg books skip to main content sg hello select your address all search amazon sg en hello sign in account lists returns orders cart all best sellers

an eighteenth century neapolitan crib in malta hardcover - May 12 2023

web buy an eighteenth century neapolitan crib in malta by vella edgar isbn 9789993273875 from amazon s book store everyday low prices and free delivery on eligible orders

an eighteenth century neapolitan crib in malta - Jan 08 2023

web this book is about fr edgar vella neapolitan crib which knows its success mainly to three factors light form and colour that fused together reveal the infinite love of god towards humanity to the point of taking the form of man and being born poor among the poor to redeem all in the same manner the rich the powerful the

[an eighteenth century neapolitan crib in malta amazon com](#) - Feb 09 2023

web dec 1 2011 an eighteenth century neapolitan crib in malta hardcover december 1 2011 the history of naples is dotted with priests enchanted by the mystery of christmas such as saints like cajetan of thiene joseph calasanzio and alphonse maria de liguori

an eighteenth century neapolitan crib in malta maltapark - Oct 05 2022

web maltapark com classified listings an eighteenth century neapolitan crib in malta hardback new shop stock reduced from 45 the history of naples is dotted with priests enchanted by the mystery of christmas such as saints like ca

[an italian crib in malta times of malta](#) - Jun 13 2023

web entertainment december 17 2011 times of malta 2 min read midsea books have published an eighteenth century neapolitan crib in malta a book about fr edgar vella s neapolitan crib with

an italian crib in malta the malta independent - Sep 04 2022

web dec 17 2011 an eighteenth century neapolitan crib in malta is about fr edgar vella s neapolitan crib which knows its success mainly to three factors light form and colour that fused together reveal the infinite love of god towards humanity to the point of taking the form of man and being born poor among the poor to redeem all in the same manner

an eighteenth century neapolitan crib in malta alibris - Jun 01 2022

web buy an eighteenth century neapolitan crib in malta by edgar vella online at alibris we have new and used copies available in 1 editions starting at 59 99 shop now

[an eighteenth century neapolitan crib in malta open library](#) - Mar 10 2023

web an eighteenth century neapolitan crib in malta the evolution of the italian crib a threshold to the bourbon crib by edgar vella 0 ratings 0 want to read 0 currently reading 0 have read

an eighteenth century neapolitan crib in malta amazon de - Jul 02 2022

web an eighteenth century neapolitan crib in malta vella edgar isbn 9789993273875 kostenloser versand für alle bücher mit versand und verkauf duch amazon

an eighteenth century neapolitan crib in malta abebooks - Nov 06 2022

web an eighteenth century neapolitan crib in malta by vella edgar at abebooks co uk isbn 10 9993273872 isbn 13 9789993273875 midsea books 2011 hardcover

an eighteenth century neapolitan crib in malta midsea books - Apr 11 2023

web year 2011 format hardback language english isbn 978 99932 7 387 5 in stock add to cart description additional information the history of the neapolitan crib and its statuettes artists in a collection in malta

a superb antique crib in malta times of malta - Aug 15 2023

web fr edgar vella s an eighteenth century neapolitan crib in malta is primarily about a neapolitan crib put together by the author essential tools to identify the characteristics which

[an eighteenth century neapolitan crib in malta hardcover](#) - Dec 07 2022

web abebooks com an eighteenth century neapolitan crib in malta 9789993273875 by vella edgar and a great selection of similar new used and collectible books available now at great prices

talk about the neapolitan crib archdiocese of malta - Jul 14 2023

web dec 18 2017 the neapolitan p resepe reached its zenith in the eighteenth century during the reign of charles vii of bourbons king of naples later to be elected as charles iii king of spain it was a time when the crib left the churches and entered the homes of people including those of nobility

[an eighteenth century neapolitan crib in malta goodreads](#) - Dec 27 2021

web nov 30 2011 read reviews from the world s largest community for readers the history of naples is dotted with priests enchanted by the mystery of christmas such as sa

an eighteenth century neapolitan crib in malta hardcover - Mar 30 2022

web amazon in buy an eighteenth century neapolitan crib in malta book online at best prices in india on amazon in read an eighteenth century neapolitan crib in malta book reviews author details and more at amazon in free delivery on qualified orders