

- Table of Contents
- Safe operating instructions
- Technical Data
- Introduction, Maintenance
- Planned Maintenance
- Oil and Grease Specifications
- Tools
- Support Arm Chase
- Electric Drive Motor
- Drive Unit/Case
- Electromagnetic Brake
- Steering
- Electrical Systems
- Hydraulic System
- Non-Lift Chain System



TOYOTA

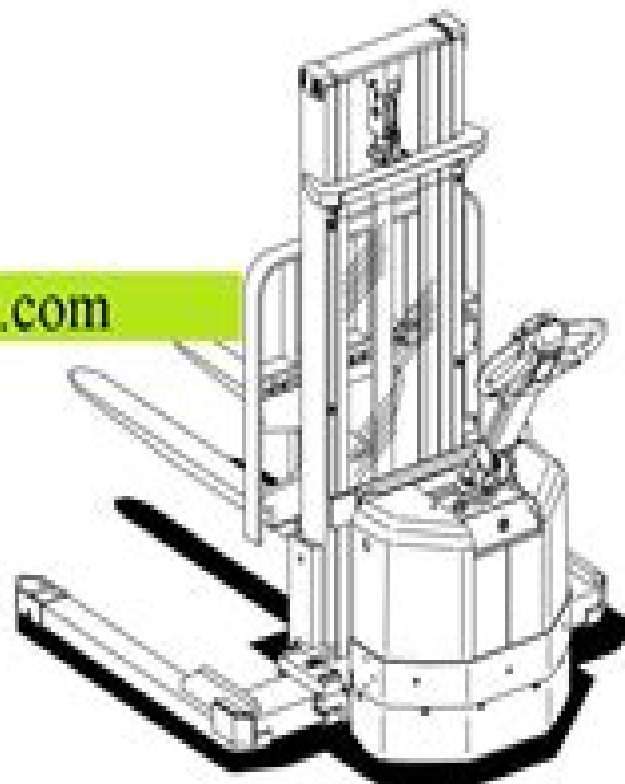
MATERIAL HANDLING U.S.A.

Service Guide

6BWS10/13

Electric Walkie Adjustable Straddle Stackers
 (Effective Serial Number 000000 - UP)

DHTauto.com



- Warning** Read and observe all warnings on this unit before operating it.
- Warning** DO NOT operate this equipment unless all factory-installed safety and health are

Toyota Cargo Forklift Manual

M Mosston



Toyota Cargo Forklift Manual:

Moody's International Manual ,1998 **Importers Manual USA** Edward G. Hinkelman,Myron Manley,Karla C. Shippey,James L. Nolan,Wendy Bidwell,Alexandra Woznick,2005 The manual is highly organized for ease of use and divided into the following major sections Commodity Index how to import data for each of the 99 Chapters of the U S Harmonized Tariff Schedule U S Customs Entry and Clearance U S Import Documentation International Banking and Payments Letters of Credit Legal Considerations of Importing Packing Shipping Insurance Ocean Shipping Container Illustrations and Specifications 72 Infolists for Importers **Importers Manual USA.** ,1998 **Toyota Forklift** ,1986 **Beverage Industry Annual Manual** ,1999 **Toyota Forklift** Toyota Jidōsha Kabushiki Kaisha,1984 **Indonesia** United States. Bureau of International Commerce,1977 *Toyota Forklift* ,1983 **The Forklift Manual** John L. Ryan,L. D. Ryan,2006
Materials Handling News ,2001 *Daily Graphic* I.K. Nkrumah,1976-02-27 *Subject Guide to Books in Print* ,1983
Maquila ,1995 **F&S Index United States Annual** ,1998 *Caribbean & South Florida Yellow Pages* ,2000
Chilton's Distribution ,1987 **Scientific and Technical Books and Serials in Print** ,1984 **Australian Transport** ,1983 Japanese Technical Abstracts ,1988 Guide to Port Entry ,2001

Discover tales of courage and bravery in Crafted by is empowering ebook, **Toyota Cargo Forklift Manual** . In a downloadable PDF format (Download in PDF: *), this collection inspires and motivates. Download now to witness the indomitable spirit of those who dared to be brave.

<http://www.frostbox.com/files/publication/fetch.php/Walther%20User%20Guide.pdf>

Table of Contents Toyota Cargo Forklift Manual

1. Understanding the eBook Toyota Cargo Forklift Manual
 - The Rise of Digital Reading Toyota Cargo Forklift Manual
 - Advantages of eBooks Over Traditional Books
2. Identifying Toyota Cargo Forklift Manual
 - Exploring Different Genres
 - Considering Fiction vs. Non-Fiction
 - Determining Your Reading Goals
3. Choosing the Right eBook Platform
 - Popular eBook Platforms
 - Features to Look for in an Toyota Cargo Forklift Manual
 - User-Friendly Interface
4. Exploring eBook Recommendations from Toyota Cargo Forklift Manual
 - Personalized Recommendations
 - Toyota Cargo Forklift Manual User Reviews and Ratings
 - Toyota Cargo Forklift Manual and Bestseller Lists
5. Accessing Toyota Cargo Forklift Manual Free and Paid eBooks
 - Toyota Cargo Forklift Manual Public Domain eBooks
 - Toyota Cargo Forklift Manual eBook Subscription Services
 - Toyota Cargo Forklift Manual Budget-Friendly Options
6. Navigating Toyota Cargo Forklift Manual eBook Formats

- ePub, PDF, MOBI, and More
- Toyota Cargo Forklift Manual Compatibility with Devices
- Toyota Cargo Forklift Manual Enhanced eBook Features
- 7. Enhancing Your Reading Experience
 - Adjustable Fonts and Text Sizes of Toyota Cargo Forklift Manual
 - Highlighting and Note-Taking Toyota Cargo Forklift Manual
 - Interactive Elements Toyota Cargo Forklift Manual
- 8. Staying Engaged with Toyota Cargo Forklift Manual
 - Joining Online Reading Communities
 - Participating in Virtual Book Clubs
 - Following Authors and Publishers Toyota Cargo Forklift Manual
- 9. Balancing eBooks and Physical Books Toyota Cargo Forklift Manual
 - Benefits of a Digital Library
 - Creating a Diverse Reading Collection Toyota Cargo Forklift Manual
- 10. Overcoming Reading Challenges
 - Dealing with Digital Eye Strain
 - Minimizing Distractions
 - Managing Screen Time
- 11. Cultivating a Reading Routine Toyota Cargo Forklift Manual
 - Setting Reading Goals Toyota Cargo Forklift Manual
 - Carving Out Dedicated Reading Time
- 12. Sourcing Reliable Information of Toyota Cargo Forklift Manual
 - Fact-Checking eBook Content of Toyota Cargo Forklift Manual
 - Distinguishing Credible Sources
- 13. Promoting Lifelong Learning
 - Utilizing eBooks for Skill Development
 - Exploring Educational eBooks
- 14. Embracing eBook Trends
 - Integration of Multimedia Elements
 - Interactive and Gamified eBooks

Toyota Cargo Forklift Manual Introduction

Toyota Cargo Forklift Manual Offers over 60,000 free eBooks, including many classics that are in the public domain. Open Library: Provides access to over 1 million free eBooks, including classic literature and contemporary works. Toyota Cargo Forklift Manual Offers a vast collection of books, some of which are available for free as PDF downloads, particularly older books in the public domain. Toyota Cargo Forklift Manual : This website hosts a vast collection of scientific articles, books, and textbooks. While it operates in a legal gray area due to copyright issues, its a popular resource for finding various publications. Internet Archive for Toyota Cargo Forklift Manual : Has an extensive collection of digital content, including books, articles, videos, and more. It has a massive library of free downloadable books. Free-eBooks Toyota Cargo Forklift Manual Offers a diverse range of free eBooks across various genres. Toyota Cargo Forklift Manual Focuses mainly on educational books, textbooks, and business books. It offers free PDF downloads for educational purposes. Toyota Cargo Forklift Manual Provides a large selection of free eBooks in different genres, which are available for download in various formats, including PDF. Finding specific Toyota Cargo Forklift Manual, especially related to Toyota Cargo Forklift Manual, might be challenging as theyre often artistic creations rather than practical blueprints. However, you can explore the following steps to search for or create your own Online Searches: Look for websites, forums, or blogs dedicated to Toyota Cargo Forklift Manual, Sometimes enthusiasts share their designs or concepts in PDF format. Books and Magazines Some Toyota Cargo Forklift Manual books or magazines might include. Look for these in online stores or libraries. Remember that while Toyota Cargo Forklift Manual, sharing copyrighted material without permission is not legal. Always ensure youre either creating your own or obtaining them from legitimate sources that allow sharing and downloading. Library Check if your local library offers eBook lending services. Many libraries have digital catalogs where you can borrow Toyota Cargo Forklift Manual eBooks for free, including popular titles. Online Retailers: Websites like Amazon, Google Books, or Apple Books often sell eBooks. Sometimes, authors or publishers offer promotions or free periods for certain books. Authors Website Occasionally, authors provide excerpts or short stories for free on their websites. While this might not be the Toyota Cargo Forklift Manual full book , it can give you a taste of the authors writing style. Subscription Services Platforms like Kindle Unlimited or Scribd offer subscription-based access to a wide range of Toyota Cargo Forklift Manual eBooks, including some popular titles.

FAQs About Toyota Cargo Forklift Manual Books

How do I know which eBook platform is the best for me? Finding the best eBook platform depends on your reading preferences and device compatibility. Research different platforms, read user reviews, and explore their features before

making a choice. Are free eBooks of good quality? Yes, many reputable platforms offer high-quality free eBooks, including classics and public domain works. However, make sure to verify the source to ensure the eBook credibility. Can I read eBooks without an eReader? Absolutely! Most eBook platforms offer webbased readers or mobile apps that allow you to read eBooks on your computer, tablet, or smartphone. How do I avoid digital eye strain while reading eBooks? To prevent digital eye strain, take regular breaks, adjust the font size and background color, and ensure proper lighting while reading eBooks. What the advantage of interactive eBooks? Interactive eBooks incorporate multimedia elements, quizzes, and activities, enhancing the reader engagement and providing a more immersive learning experience. Toyota Cargo Forklift Manual is one of the best book in our library for free trial. We provide copy of Toyota Cargo Forklift Manual in digital format, so the resources that you find are reliable. There are also many Ebooks of related with Toyota Cargo Forklift Manual. Where to download Toyota Cargo Forklift Manual online for free? Are you looking for Toyota Cargo Forklift Manual PDF? This is definitely going to save you time and cash in something you should think about. If you trying to find then search around for online. Without a doubt there are numerous these available and many of them have the freedom. However without doubt you receive whatever you purchase. An alternate way to get ideas is always to check another Toyota Cargo Forklift Manual. This method for see exactly what may be included and adopt these ideas to your book. This site will almost certainly help you save time and effort, money and stress. If you are looking for free books then you really should consider finding to assist you try this. Several of Toyota Cargo Forklift Manual are for sale to free while some are payable. If you arent sure if the books you would like to download works with for usage along with your computer, it is possible to download free trials. The free guides make it easy for someone to free access online library for download books to your device. You can get free download on free trial for lots of books categories. Our library is the biggest of these that have literally hundreds of thousands of different products categories represented. You will also see that there are specific sites catered to different product types or categories, brands or niches related with Toyota Cargo Forklift Manual. So depending on what exactly you are searching, you will be able to choose e books to suit your own need. Need to access completely for Campbell Biology Seventh Edition book? Access Ebook without any digging. And by having access to our ebook online or by storing it on your computer, you have convenient answers with Toyota Cargo Forklift Manual To get started finding Toyota Cargo Forklift Manual, you are right to find our website which has a comprehensive collection of books online. Our library is the biggest of these that have literally hundreds of thousands of different products represented. You will also see that there are specific sites catered to different categories or niches related with Toyota Cargo Forklift Manual So depending on what exactly you are searching, you will be able tochoose ebook to suit your own need. Thank you for reading Toyota Cargo Forklift Manual. Maybe you have knowledge that, people have search numerous times for their favorite readings like this Toyota Cargo Forklift Manual, but end up in harmful downloads. Rather than reading a good book with a cup of coffee in the afternoon, instead they juggled with some

harmful bugs inside their laptop. Toyota Cargo Forklift Manual is available in our book collection an online access to it is set as public so you can download it instantly. Our digital library spans in multiple locations, allowing you to get the most less latency time to download any of our books like this one. Merely said, Toyota Cargo Forklift Manual is universally compatible with any devices to read.

Find Toyota Cargo Forklift Manual :

~~walther user guide~~

warner swasey wiedematic w 2040 manual

warriors tv show episode guide

waters empower manual

wavetek 9100 service manual

~~wc 5030 manual~~

warlock guide elitist jerks

~~watership down af richard adams~~

waterproof harley motorcycle covers

water ridge toilet manual

~~washington state dov report~~

~~wanted by outlaws siren publishing menage amour~~

war raven barbarian of rome chronicles volume one

~~watermelon decoration cake recipe~~

water resources engineering 1st edition solution manual

Toyota Cargo Forklift Manual :

9783432110851 diabetes das anti insulin prinzip wie ich meinen - Apr 02 2022

web diabetes das anti insulin prinzip wie ich meinen diabetes typ 2 überwand und wie sie das auch schaffen finden sie alle bücher von limpinsel rainer bei der büchersuchmaschine eurobuch com können sie antiquarische und neubücher vergleichen und sofort zum bestpreis bestellen 9783432110851

diabetes das anti insulin prinzip wie ich meinen diabetes typ - Jul 05 2022

web diabetes das anti insulin prinzip wie ich meinen diabetes typ 2 überwand und wie sie das auch schaffen von limpinsel

rainer beim zvaab com isbn 10 3432110855 isbn 13 9783432110851 trias 2020 softcover

diabetes das anti insulin prinzip wie ich meinen diabetes typ - Dec 10 2022

web rainer limpinsel erzählt offen und unterhaltsam aus seinem doppelleben als arzt und diabetiker warum eine radtour durch die alpen zum warnschuss für ihn wurde und ihn aufrüttelte seinen diabetes in den griff zu bekommen

diabetes das anti insulin prinzip bücher de - Oct 08 2022

web diabetes das anti insulin prinzip wie ich meinen diabetes typ 2 überwand und wie sie das auch schaffen

diabetes das anti insulin prinzip thalia - Apr 14 2023

web in diesem buch möchte ich ihnen meine geschichte als diabetiker erzählen warum wurde ich krank und wieso bin ich jetzt wieder gesund rainer limpinsel erzählt offen und unterhaltsam aus seinem doppelleben als arzt und diabetiker warum eine radtour durch die alpen zum warnschuss für ihn wurde und ihn aufrüttelte seinen diabetes in

diabetes das anti insulin prinzip wie ich meinen diabetes typ - Feb 12 2023

web diabetes das anti insulin prinzip wie ich meinen diabetes typ 2 überwand und wie sie das auch schaffen ebook limpinsel rainer amazon de kindle store

diabetes das anti insulin prinzip limpinsel rainer hugendubel - Aug 06 2022

web oct 9 2019 diabetes das anti insulin prinzip limpinsel rainer hugendubel fachinformationen diabetes das anti insulin prinzip von limpinsel rainer jetzt online bestellen 10003 portofrei 10003 schnell 10003 zuverlässig 10003 kein mindestbestellwert 10003 individuelle rechnung 10003 20 millionen titel

diabetes das anti insulin prinzip narayana verlag - Jun 16 2023

web diabetes das anti insulin prinzip rainer limpinsel wie ich meinen diabetes typ 2 überwand und wie sie das auch schaffen narayana verlag bücher ernährung allgemein leseprobe als pdf buch 180 seiten kart erschienen 2019 best nr 22069 gewicht 240g isbn 978 3 43211085 1 diabetes das anti insulin prinzip rainer limpinsel

diabetes das anti insulin prinzip wie ich meinen diabetes typ - Jan 31 2022

web wie ich meinen diabetes typ 2 überwand und wie sie das auch schaffen diabetes das anti insulin prinzip rainer limpinsel trias des milliers de livres avec la livraison chez vous en 1 jour ou en magasin avec 5 de réduction

diabetes das anti insulin prinzip wie ich meinen diabetes typ - May 15 2023

web diabetes das anti insulin prinzip wie ich meinen diabetes typ 2 überwand und wie sie das auch schaffen limpinsel rainer isbn 9783432110851 kostenloser versand für alle bücher mit versand und verkauf duch amazon

diabetes das anti insulin prinzip wie ich meinen diabetes typ - Mar 01 2022

web das anti insulin prinzip wie ich meinen diabetes typ 2 überwand und wie sie das auch schaffen limpinsel rainer amazon es libros saltar al contenido principal es hola elige tu dirección todos los departamentos selecciona el departamento que

diabetes das anti insulin prinzip ex libris - Nov 09 2022

web in diesem buch möchte ich ihnen meine geschichte als diabetiker erzählen warum wurde ich krank und wieso bin ich jetzt wieder gesund rainer limpinsel erzählt offen und unterhaltsam aus seinem doppelleben als arzt und diabetiker warum eine radtour durch die alpen zum warnschuss für ihn wurde und ihn aufrüttelte seinen diabetes in

diabetes das anti insulin prinzip preigu - May 03 2022

web jetzt online bestellen diabetes das anti insulin prinzip wie ich meinen diabetes typ 2 überwand und wie sie das auch schaffen rainer limpinsel taschenbuch 180 s deutsch 2019 trias diabetes das anti insulin prinzip preigu

diabetes das anti insulin prinzip wie ich meinen diabetes typ - Sep 19 2023

web diabetes das anti insulin prinzip wie ich meinen diabetes typ 2 überwand und wie sie das auch schaffen limpinsel rainer isbn 9783432104119 kostenloser versand für alle bücher mit versand und verkauf duch amazon

diabetes das anti insulin prinzip overdrive - Sep 07 2022

web oct 9 2019 in diesem buch möchte ich ihnen meine geschichte als diabetiker erzählen warum wurde ich krank und wieso bin ich jetzt wieder gesund rainer limpinsel erzählt offen und unterhaltsam aus seinem doppelleben als arzt und diabetiker warum eine radtour durch die alpen zum warnschuss für ihn wurde und ihn aufrüttelte seinen

diabetes das anti insulin prinzip wie ich meinen diabetes typ - Aug 18 2023

web diabetes das anti insulin prinzip wie ich meinen diabetes typ 2 überwand und wie sie das auch schaffen limpinsel rainer amazon com tr kitap

trias diabetes das anti insulin prinzip thieme - Mar 13 2023

web aus medizinischer sicht beschreiben wie ich zu meiner diabetes diagnose kam im frühjahr des jahres 2007 bin ich zu meinem osteopathen gegangen weil mir der rücken schmerzte dass ich zudem seit einigen wo chen ständig durst hatte nahm ich einfach hin mein osteopath sollte mich einrenken wie er dies seit 2002 immer mal wieder

diabetes das anti insulin prinzip ebook epub bücher de - Jun 04 2022

web diabetes das anti insulin prinzip ebook epub wie ich meinen diabetes typ 2 überwand und wie sie das auch schaffen

diabetes das anti insulin prinzip 9783432110851 thieme - Jul 17 2023

web produktinformationen diabetes das anti insulin prinzip nach der diagnose ging ich erst einmal den klassischen weg mit insulin und co aber nach einem jahr hatte ich die nase voll davon ich wollte selbst etwas gegen meinen diabetes tun und mich nicht passiv den mittelchen der pharmaindustrie hingeben

diabetes das anti insulin prinzip thalia at - Jan 11 2023

web in diesem buch möchte ich ihnen meine geschichte als diabetiker erzählen warum wurde ich krank und wieso bin ich jetzt wieder gesund rainer limpinsel erzählt offen und unterhaltsam aus seinem doppelleben als arzt und diabetiker warum

eine radtour durch die alpen zum warnschuss für ihn wurde und ihn aufrüttelte seinen diabetes in
gleim cia challenge exam study material pass the iia - Feb 03 2022

gleim cia review crush the cia exam 2023 - Apr 05 2022

about gleim cia why choose gleim gleim exam prep - Apr 17 2023

web jul 28 2016 8 25k subscribers 7 2k views 6 years ago if you re studying for the certified internal auditor cia exam gleim
cia review has you covered now with over 40

gleim cia review is it good exclusive 2023 gleim cia discount - Jan 02 2022

gleim cia or wiley ciaexcel which cia review should you - Aug 09 2022

web jun 1 2023 gleim cia review crush the cia exam 2023 the comprehensive study materials an option to buy materials
separately or as a package performance tracking

gleim cia review course accounting institute for success - Mar 04 2022

[iia cia learning system vs gleim cia who should you choose](#) - Sep 10 2022

web gleim cia and hock cia are nearly tied for the better cia review course however we declare gleim cia review the
champion because this course includes more practice

cia customer reviews gleim exam prep - Jul 20 2023

web in 1980 dr irvin gleim wrote the first gleim cia review book now over 40 years later gleim cia is the most widely used
review and has helped produce more iia cia exam

cia exam review certified internal auditor video course - Dec 13 2022

web from this table you can see that the wiley ciaexcel course only scores 1 5 points in contrast gleim cia scores 5 points thus
making it a stronger choice than wiley

new release gleim cia test bank book 2022 edition - Jul 08 2022

web nov 21 2023 why choose gleim cia review in a nutshell best gleim cia course features personal counselors automatic
electronic updates realistic exam day

gleim com - Jun 07 2022

web gleim s cia challenge exam review system essentially follows the company s premium cia review system after all the acca
cia challenge exam is a way to save some

why gleim ea gleim exam prep - May 18 2023

web gleim traditional cia review system review course powered by smartadapt technology our smart course is powered by adaptive technology that prepares a

what to look for in a cia review course gleim - Jun 19 2023

web gleim premium cia review system review course powered by smartadapt technology our smart course is powered by adaptive technology that prepares a

cia exam prep gleim exam prep - Oct 23 2023

web oct 2 2023 gleim cia review is the perfect cia preparation program for working professionals the layout of gleim s practice exam sessions was identical to the actual

gleim premium cia review system the institute of internal - Mar 16 2023

web learn all the steps needed to register for the cia exam with gleim we discuss how to fill out your cia exam application on ccms and schedule your exam contact us

[cia exam review materials gleim exam prep](#) - Sep 22 2023

web gleim has trained more cias than any other review provider and there s no better way to learn about gleim cia than from actual candidates read what our candidates have to

cia premium review gleim exam prep - Aug 21 2023

web when you re finished any topics you still need to brush up on will be emphasized in your personalized final review so you can be fully confident on exam day overall gleim

[free cia study materials gleim exam prep courses](#) - Oct 11 2022

web gleim com

[gleim cia review is it good exclusive 2023 gleim](#) - Feb 15 2023

web use the links listed here to explore these free cia exam resources now or keep reading to learn more about their benefits free cia exam guide a study guide detailing every

gleim traditional cia review system the institute of internal - Jan 14 2023

web who wins gleim cia review or iia cia learning system we declare that gleim cia is the winner but we need to emphasize that they are above and away the winner in other

[cia exam costs gleim exam prep](#) - Nov 12 2022

web the innovative gleim test prep is an online question bank that is designed to improve your study process and test your knowledge in an interactive environment with actual cia

gleim cia vs hock international cia is it too close to call - May 06 2022

web oct 1 2018 how should i study using the gleim cia review materials gleim is backed by years of expertise in cia prep this along with innovative smartadapt technology

les carnets de voyage au maroc de delacroix google arts - Mar 27 2023

web le 10 janvier 1832 le peintre eugène delacroix embarque pour un voyage de six mois qui bouleversera à jamais sa vie et sa peinture il accompagne le comte charles de mornay jeune

delacroix un voyage initiatique maroc andalousie algérie - Nov 22 2022

web nov 20 2006 un voyage initiatique présente pour la première fois l ensemble des volets du périple effectué en 1832 par eugène delacroix avec la mission française conduite par le comte charles de mornay venu négocier au maroc des problèmes de frontières avec moulay abd er rahman

eugène delacroix un voyage initiatique maroc andalousie - Jul 19 2022

web un voyage initiatique présente pour la première fois l ensemble des volets du périple effectué en 1832 par eugène delacroix avec la mission française conduite par le comte charles de mornay venu négocier au maroc des problèmes de frontières avec moulay abd er rahman

voyage en afrique du nord d eugène delacroix wikipédia - Jun 29 2023

web voyage en afrique du nord d eugène delacroix eugène delacroix femme marocaine 1832 eugène delacroix Étude d arabe assis le voyage de sept mois effectué entre janvier et juin 1832 au maghreb et en andalousie 1 est un événement majeur de la vie du peintre eugène delacroix

delacroix un voyage initiatique maroc andalousie download - Mar 15 2022

web delacroix un voyage initiatique maroc andalousie downloaded from old vulkk com by guest armstrong hood noa noa eddif une chronologie de l histoire de l art signée bescherelle un ouvrage complet fiable et attractif qui s adresse à tous les curieux d histoire de l art un panorama vivant de l histoire de l art l ouvrage

delacroix au maroc un voyage de rêve beaux arts - Apr 27 2023

web jul 20 2021 i scène intime à tanger une femme en costume de mariée est assise pensive une servante maure à terre lui tient compagnie le regard tourné vers elle avec un pinceau je ferai sentir à tout le monde ce que j ai vu rapporte eugène delacroix dans son journal 1822 1863

eugène delacroix au maroc le voyage de toute une vie - Oct 02 2023

web jul 11 2021 le célèbre peintre français a entrepris en 1832 un voyage initiatique de six mois au maroc retracé par une exposition hommage à rabat la capitale du royaume

eugÈne delacroix 1798 1863 le voyage au maroc - Dec 24 2022

web ce qui peut apparaître comme un retour à l ordre se concrétisa assez paradoxalement dans le voyage que delacroix fit au

maroc au cours des six premiers mois de 1832 il y accompagnait un diplomate le comte de mornay venu négocier avec le sultan des arrangements rendus nécessaires par

delacroix un voyage initiatique maroc andalousie algérie - Oct 22 2022

web un voyage initiatique présente pour la première fois l ensemble des volets du périple effectué en 1832 par eugène delacroix avec la mission française conduite par le comte charles de mornay venu négocier au maroc des problèmes de frontières avec moulay abd er

eugène delacroix un voyage initiatique maroc andalousie - Aug 20 2022

web dec 30 1999 un voyage initiatique présente pour la première fois l ensemble des volets du périple effectué en 1832 par eugène delacroix avec la mission française conduite par le comte charles de mornay venu négocier au maroc des

delacroix un voyage initiatique maroc andalousie pdf 2013 - Jun 17 2022

web 2 delacroix un voyage initiatique maroc andalousie 2022 05 31 constantes de la représentation picturale matière et lumière à celles de la musique voix et percussion il verra pointer les figures mythiques circé ulyse ou les marques arabes derrière les récits contemporains s étonnera de certains échos il

delacroix un voyage initiatique maroc andalousie algérie - Sep 01 2023

web eddif 2006 algeria 319 pages un voyage initiatique présente pour la première fois l ensemble des volets du périple effectué en 1832 par eugène delacroix avec la mission

delacroix un voyage initiatique maroc andalousie algarie copy - Feb 11 2022

web delacroix un voyage initiatique maroc andalousie algarie delacroix un voyage initiatique maroc andalousie algarie book review unveiling the power of words in some sort of driven by information and connectivity the power of words has are more evident than ever they have the capacity to inspire provoke and ignite change

delacroix un voyage initiatique maroc andalousie algérie - May 29 2023

web un voyage initiatique présente pour la première fois l ensemble des volets du périple effectué en 1832 par eugène delacroix avec la mission française conduite par le comte charles de mornay venu négocier au maroc des problèmes de frontières avec moulay abd er

delacroix un voyage initiatique maroc andalousie - May 17 2022

web delacroix un voyage initiatique maroc andalousie le retour aux indes jan 27 2021 les anciens appelaient indes toute terre lointaine et inconnue sur l île de chios en mer Égée vasco laisse sa fille à ses amours elle reste il part j irai vers toutes mes indes je mettrai mon pas dans ceux de ma jeunesse

delacroix un voyage initiatique maroc andalousie algérie - Feb 23 2023

web physical description 319 pages illustrations chiefly color 33 cm isbn 9782352700128 2352700124

eugène delacroix un voyage initiatique maroc andalousie - Sep 20 2022

web un voyage initiatique présente pour la première fois l ensemble des volets du périple effectué en 1832 par eugène delacroix avec la mission française conduite par le comte charles de mornay venu négocier au maroc des problèmes de frontières avec moulay abd er rahman

delacroix un voyage initiatique maroc andalousie - Jan 25 2023

web delacroix un voyage initiatique maroc andalousie le voyage initiatique mar 21 2023 porteur de rencontres et de découvertes tout voyage est initiatique il révèle des dimensions nouvelles insoupçonnées parfois inespérées qu elles se lisent dans les méandres de la géographie ou sur le

eugène delacroix exposé au maroc le rêve de l orient - Jul 31 2023

web jul 13 2021 le célèbre peintre français a entrepris en 1832 un voyage initiatique de six mois au maroc retracé par une exposition hommage à rabat la capitale du royaume À lire aussi un pastel

delacroix un voyage initiatique maroc andalousie - Apr 15 2022

web delacroix un voyage initiatique maurice arama 2006 un voyage initiatique présente pour la première fois l ensemble des volets du périple effectué en 1832 par eugène delacroix avec la mission française conduite par le comte charles de mornay venu négocier au maroc des problèmes de frontières avec moulay abd er rahman le