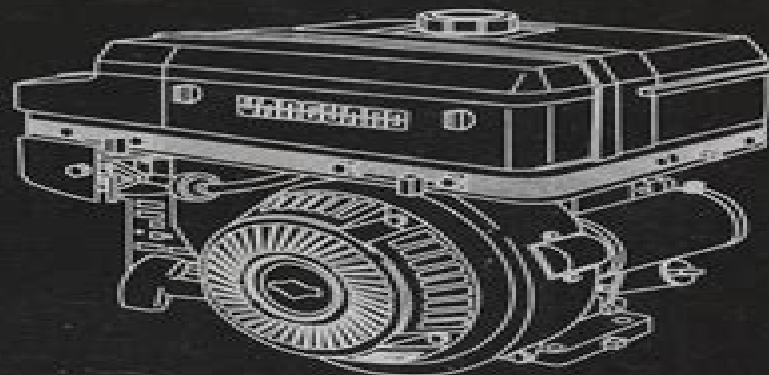
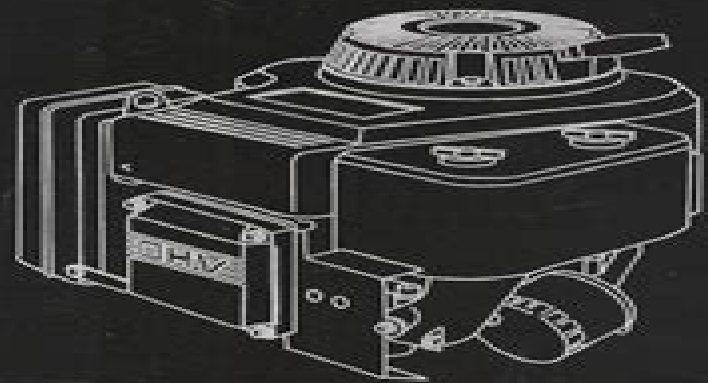
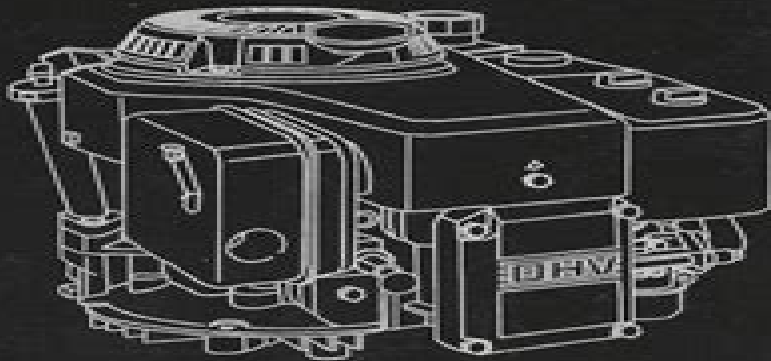




VANGUARD

Repair Manual

For Single Cylinder OHV Engines



Vanguard Engine Service Manual

Daniela Niemeyer



Vanguard Engine Service Manual:

Small Air-cooled Engine Service Manual, 1990-1994 ,1995 Previously published as one volume under same title
Vanguard V-Twin OHV Repair Manual Vanguard,1989 **Clymer Snowmobile Service Manual 11th Edition**
Penton Staff,1991-06-01 With the help of the Clymer Snowmobile Service Manual 11th Edition in your toolbox you will be able to maintain service and repair your snowmobile to extend its life for years to come Clymer manuals are very well known for their thorough and comprehensive nature This manual is loaded with step by step procedures along with detailed photography exploded views charts and diagrams to enhance the steps associated with a service or repair task This Clymer manual is organized by subsystem with procedures grouped together for specific topics such as front suspension brake system engine and transmission It includes color wiring diagrams The language used in this Clymer repair manual is targeted toward the novice mechanic but is also very valuable for the experienced mechanic The service manual by Clymer is an authoritative piece of DIY literature and should provide you the confidence you need to get the job done and save money too

WALNECK'S CLASSIC CYCLE TRADER, NOVEMBER 2004 Causey Enterprises, LLC, **Cumulative Book Index** ,1959 **Technical Books in Print** ,1966 *Resources in Education* ,1983 *Nelson to Vanguard* D K Brown,2023-06-30
The third volume in D K Brown s bestselling series on warship design and development looks at the Royal Navy s response to the restrictions placed on it by the Washington Naval Treaties in the inter war years and analyses the fleet that was constructed to fight the Second World War He focusses on the principal pre war developments such as the first purpose built aircraft carriers and the growing perception of the threat of air attack to warships All the wartime construction programs are covered such as the massive expansion in escort ships to counter the U boat menace and the development of the amphibious warfare fleet for the D Day landings in 1944 Full analysis is also provided of the experience of wartime damage as well as the once top secret pre and post war damage trials Illustrated throughout with a superb collection of contemporary photographs and numerous line drawings this now classic work is required reading for naval historians and enthusiasts Yet another tour de force Highly recommended Warship World This is a truly magnificent effort both in content and presentation Warship

Motor Sport William Boddy,1970 **Road & Track** ,1961-02 **Road and Track** ,1961 Vanguard V-Twin OHV Repair Manual Briggs & Stratton Corporation,2004* *Official Gazette of the United States Patent and Trademark Office* ,2000 Catalog of Copyright Entries, Third Series Library of Congress. Copyright Office,1965 The record of each copyright registration listed in the Catalog includes a description of the work copyrighted and data relating to the copyright claim the name of the copyright claimant as given in the application for registration the copyright date the copyright registration number etc Reports from Commissioners Great Britain. Parliament. House of Commons,1877 Popular Science ,1965-08 Popular Science gives our readers the information and tools to improve their technology and their world The core belief that Popular Science and our readers share The future is going to be better and science and technology are the driving

forces that will help make it better **Popular Mechanics** ,1990-07 Popular Mechanics inspires instructs and influences readers to help them master the modern world Whether it s practical DIY home improvement tips gadgets and digital technology information on the newest cars or the latest breakthroughs in science PM is the ultimate guide to our high tech lifestyle Sports Car Graphic ,1966 **Standard Catalog for High School Libraries** H.W. Wilson Company,1957 The 1st ed accompanied by a list of Library of Congress card numbers for books except fiction pamphlets etc which are included in the 1st ed and its supplement 1926 29 **Standard Vanguard** Standard Motor Company Limited. Service division,195?

Embark on a breathtaking journey through nature and adventure with is mesmerizing ebook, Witness the Wonders in **Vanguard Engine Service Manual** . This immersive experience, available for download in a PDF format (PDF Size: *), transports you to the heart of natural marvels and thrilling escapades. Download now and let the adventure begin!

http://www.frostbox.com/book/Resources/Download_PDFS/The_Common_Paper_Of_Geography_2014_Exam_March_Grade_12.pdf

Table of Contents Vanguard Engine Service Manual

1. Understanding the eBook Vanguard Engine Service Manual
 - The Rise of Digital Reading Vanguard Engine Service Manual
 - Advantages of eBooks Over Traditional Books
2. Identifying Vanguard Engine Service Manual
 - Exploring Different Genres
 - Considering Fiction vs. Non-Fiction
 - Determining Your Reading Goals
3. Choosing the Right eBook Platform
 - Popular eBook Platforms
 - Features to Look for in an Vanguard Engine Service Manual
 - User-Friendly Interface
4. Exploring eBook Recommendations from Vanguard Engine Service Manual
 - Personalized Recommendations
 - Vanguard Engine Service Manual User Reviews and Ratings
 - Vanguard Engine Service Manual and Bestseller Lists
5. Accessing Vanguard Engine Service Manual Free and Paid eBooks
 - Vanguard Engine Service Manual Public Domain eBooks
 - Vanguard Engine Service Manual eBook Subscription Services
 - Vanguard Engine Service Manual Budget-Friendly Options

6. Navigating Vanguard Engine Service Manual eBook Formats
 - ePub, PDF, MOBI, and More
 - Vanguard Engine Service Manual Compatibility with Devices
 - Vanguard Engine Service Manual Enhanced eBook Features
7. Enhancing Your Reading Experience
 - Adjustable Fonts and Text Sizes of Vanguard Engine Service Manual
 - Highlighting and Note-Taking Vanguard Engine Service Manual
 - Interactive Elements Vanguard Engine Service Manual
8. Staying Engaged with Vanguard Engine Service Manual
 - Joining Online Reading Communities
 - Participating in Virtual Book Clubs
 - Following Authors and Publishers Vanguard Engine Service Manual
9. Balancing eBooks and Physical Books Vanguard Engine Service Manual
 - Benefits of a Digital Library
 - Creating a Diverse Reading Collection Vanguard Engine Service Manual
10. Overcoming Reading Challenges
 - Dealing with Digital Eye Strain
 - Minimizing Distractions
 - Managing Screen Time
11. Cultivating a Reading Routine Vanguard Engine Service Manual
 - Setting Reading Goals Vanguard Engine Service Manual
 - Carving Out Dedicated Reading Time
12. Sourcing Reliable Information of Vanguard Engine Service Manual
 - Fact-Checking eBook Content of Vanguard Engine Service Manual
 - Distinguishing Credible Sources
13. Promoting Lifelong Learning
 - Utilizing eBooks for Skill Development
 - Exploring Educational eBooks
14. Embracing eBook Trends
 - Integration of Multimedia Elements

- Interactive and Gamified eBooks

Vanguard Engine Service Manual Introduction

In this digital age, the convenience of accessing information at our fingertips has become a necessity. Whether its research papers, eBooks, or user manuals, PDF files have become the preferred format for sharing and reading documents. However, the cost associated with purchasing PDF files can sometimes be a barrier for many individuals and organizations. Thankfully, there are numerous websites and platforms that allow users to download free PDF files legally. In this article, we will explore some of the best platforms to download free PDFs. One of the most popular platforms to download free PDF files is Project Gutenberg. This online library offers over 60,000 free eBooks that are in the public domain. From classic literature to historical documents, Project Gutenberg provides a wide range of PDF files that can be downloaded and enjoyed on various devices. The website is user-friendly and allows users to search for specific titles or browse through different categories. Another reliable platform for downloading Vanguard Engine Service Manual free PDF files is Open Library. With its vast collection of over 1 million eBooks, Open Library has something for every reader. The website offers a seamless experience by providing options to borrow or download PDF files. Users simply need to create a free account to access this treasure trove of knowledge. Open Library also allows users to contribute by uploading and sharing their own PDF files, making it a collaborative platform for book enthusiasts. For those interested in academic resources, there are websites dedicated to providing free PDFs of research papers and scientific articles. One such website is Academia.edu, which allows researchers and scholars to share their work with a global audience. Users can download PDF files of research papers, theses, and dissertations covering a wide range of subjects. Academia.edu also provides a platform for discussions and networking within the academic community. When it comes to downloading Vanguard Engine Service Manual free PDF files of magazines, brochures, and catalogs, Issuu is a popular choice. This digital publishing platform hosts a vast collection of publications from around the world. Users can search for specific titles or explore various categories and genres. Issuu offers a seamless reading experience with its user-friendly interface and allows users to download PDF files for offline reading. Apart from dedicated platforms, search engines also play a crucial role in finding free PDF files. Google, for instance, has an advanced search feature that allows users to filter results by file type. By specifying the file type as "PDF," users can find websites that offer free PDF downloads on a specific topic. While downloading Vanguard Engine Service Manual free PDF files is convenient, its important to note that copyright laws must be respected. Always ensure that the PDF files you download are legally available for free. Many authors and publishers voluntarily provide free PDF versions of their work, but its essential to be cautious and verify the authenticity of the source before downloading Vanguard Engine Service Manual. In conclusion, the internet offers numerous platforms and websites that allow users to download free PDF files legally. Whether its classic

literature, research papers, or magazines, there is something for everyone. The platforms mentioned in this article, such as Project Gutenberg, Open Library, Academia.edu, and Issuu, provide access to a vast collection of PDF files. However, users should always be cautious and verify the legality of the source before downloading Vanguard Engine Service Manual any PDF files. With these platforms, the world of PDF downloads is just a click away.

FAQs About Vanguard Engine Service Manual Books

How do I know which eBook platform is the best for me? Finding the best eBook platform depends on your reading preferences and device compatibility. Research different platforms, read user reviews, and explore their features before making a choice. Are free eBooks of good quality? Yes, many reputable platforms offer high-quality free eBooks, including classics and public domain works. However, make sure to verify the source to ensure the eBook credibility. Can I read eBooks without an eReader? Absolutely! Most eBook platforms offer webbased readers or mobile apps that allow you to read eBooks on your computer, tablet, or smartphone. How do I avoid digital eye strain while reading eBooks? To prevent digital eye strain, take regular breaks, adjust the font size and background color, and ensure proper lighting while reading eBooks. What the advantage of interactive eBooks? Interactive eBooks incorporate multimedia elements, quizzes, and activities, enhancing the reader engagement and providing a more immersive learning experience. Vanguard Engine Service Manual is one of the best book in our library for free trial. We provide copy of Vanguard Engine Service Manual in digital format, so the resources that you find are reliable. There are also many Ebooks of related with Vanguard Engine Service Manual. Where to download Vanguard Engine Service Manual online for free? Are you looking for Vanguard Engine Service Manual PDF? This is definitely going to save you time and cash in something you should think about. If you trying to find then search around for online. Without a doubt there are numerous these available and many of them have the freedom. However without doubt you receive whatever you purchase. An alternate way to get ideas is always to check another Vanguard Engine Service Manual. This method for see exactly what may be included and adopt these ideas to your book. This site will almost certainly help you save time and effort, money and stress. If you are looking for free books then you really should consider finding to assist you try this. Several of Vanguard Engine Service Manual are for sale to free while some are payable. If you arent sure if the books you would like to download works with for usage along with your computer, it is possible to download free trials. The free guides make it easy for someone to free access online library for download books to your device. You can get free download on free trial for lots of books categories. Our library is the biggest of these that have literally hundreds of thousands of different products categories represented. You will also see that there are specific sites catered to different product types or categories, brands or niches related with Vanguard Engine Service Manual. So depending on what exactly

you are searching, you will be able to choose e books to suit your own need. Need to access completely for Campbell Biology Seventh Edition book? Access Ebook without any digging. And by having access to our ebook online or by storing it on your computer, you have convenient answers with Vanguard Engine Service Manual To get started finding Vanguard Engine Service Manual, you are right to find our website which has a comprehensive collection of books online. Our library is the biggest of these that have literally hundreds of thousands of different products represented. You will also see that there are specific sites catered to different categories or niches related with Vanguard Engine Service Manual So depending on what exactly you are searching, you will be able to choose ebook to suit your own need. Thank you for reading Vanguard Engine Service Manual. Maybe you have knowledge that, people have search numerous times for their favorite readings like this Vanguard Engine Service Manual, but end up in harmful downloads. Rather than reading a good book with a cup of coffee in the afternoon, instead they juggled with some harmful bugs inside their laptop. Vanguard Engine Service Manual is available in our book collection an online access to it is set as public so you can download it instantly. Our digital library spans in multiple locations, allowing you to get the most less latency time to download any of our books like this one. Merely said, Vanguard Engine Service Manual is universally compatible with any devices to read.

Find Vanguard Engine Service Manual :

~~the common paper of geography 2014 exam march grade 12~~

the deer camp chef

the devils feather english edition

the conch bearer

~~the crocodile masquerade~~

the command book english edition

~~the curse classic reprint~~

~~the defiant lady pencavel english edition~~

the circle of reason english edition

~~the demons slave paranormal impregnation choking erotica english edition~~

the council at jerusalem biblical word by word study

the cw episode guide

the challenge breeding championship budgerigars

the devils lady english edition

~~the complaints english edition~~

Vanguard Engine Service Manual :

directo al infierno sexo drogas y codicia las - Oct 07 2023

web el hombre que lleva incendiando twitter desde 2011 con sus comentarios desde su cuenta gselevator sobre la lujuria y despilfarro de wall street revela en este sorprendente libro sus extravagantes experiencias como prometedor joven trader en hong kong londres y nueva york

directo al infierno sexo drogas y codicia las esc copy - Jun 22 2022

web 2 directo al infierno sexo drogas y codicia las esc 2023 06 09 directo al infierno sexo drogas y codicia las esc downloaded from cybersmash io by guest murray julian notes on grief random house fifty black and white photos are included in this story of the band that was as trashy as last weeks garbage and as all american as the

directos al infierno película 1987 sensacine com - Mar 20 2022

web directos al infierno es una película dirigida por alex cox con sy richardson courtney love sinopsis una banda de ladrones de banco consigue un gran botín y decide enterrarlo a salvo en las

directo al infierno sexo drogas y codicia las esc copy - Jul 24 2022

web acerca de los peligrosos y letales halagos del narcotrafico que sume a quienes se involucran en sus actividades en una marana infernal de la que solo se sale con la carcel o con la muerte el narco rescatado del infierno revela algo nuevo en relacion a este flagelo universal simplemente amplia con crudeza y realismo la ambicion

directo al infierno sexo drogas y codicia las escandalosas - Sep 06 2023

web directo al infierno sexo drogas y codicia las escandalosas confesiones de un banquero de wall street deusto tapa blanda 6 octubre 2016 de john lefevre autor albert cuesta zaragosi traductor 3 9 50 valoraciones ver todos los formatos y ediciones

directo al infierno sexo drogas y codicia las esc pdf ftp bonide - Nov 27 2022

web 4 directo al infierno sexo drogas y codicia las esc 2022 10 20 instinctual nature of women but she is an endangered species for though the gifts of wildish nature belong to us at birth society s attempt to civilize us into rigid roles has muffled the deep life giving messages of our own souls in women who run with the wolves dr

directo al infierno sexo drogas y codicia las esc pdf api - Sep 25 2022

web una existencia vivida al límite charles bukowski hunde su lírica en las drogas el sexo y el realismo sucio de las clases más oprimidas una desolación que siempre buscó la belleza escritor de culto en toda europa charles bukowski usó la poesía para describir la depravación de la vida urbana y retratar a las clases más oprimidas de la

directo al infierno sexo drogas y codicia las esc pdf qr bonide - Apr 20 2022

web directo al infierno sexo drogas y codicia las esc 5 5 su mensaje es impactante profundo y verdadero esto es un drama de

la vida real y su autor no se guarda nada ni oculta sus mas intimos pecados simplemente da a conocer su verdad y el mundo que tuvo bajo su poder con la secuela de autodestruccion y muerte ojala que este mensaje cale

[directo al infierno sexo drogas y codicia las esc](#) - May 02 2023

web perfumes y feromonas en la atracción física la relevancia del cerebro como órgano sexual los singulares ritos de copulatorios de escarabajos mariposas bonobos culebras todo lo que

directo al infierno sexo drogas y codicia las esc wrbb neu - May 22 2022

web message directo al infierno sexo drogas y codicia las esc that you are looking for it will categorically squander the time however below past you visit this web page it will be suitably certainly simple to acquire as with ease as download guide directo al infierno sexo drogas y codicia las esc it will not endure many mature as we run by

[directo al infierno sexo drogas y codicia las esc 2023](#) - Jul 04 2023

web directo al infierno sexo drogas y codicia las esc 3 3 obligatoria para aquellos que desea conocer cómo la violencia nos afecta espiritualmente y lleva hacia la oscuridad cambio 16 south western pub this is the story of lsd told by a concerned yet hopeful father organic chemist albert hofmann ph d he traces lsd s path from a promising

directo al infierno sexo drogas y codicia las esc 2022 - Dec 29 2022

web directo al infierno sexo drogas y codicia las esc 1 directo al infierno sexo drogas y codicia las esc yeah reviewing a books directo al infierno sexo drogas y codicia las esc could increase your near associates listings this is just one of the solutions for you to be successful

[*directo al infierno sexo drogas y codicia las esc download*](#) - Aug 25 2022

web directo al infierno sexo drogas y codicia las esc 1 directo al infierno sexo drogas y codicia las esc ulysses narcoland por qué vivir como jesús no es suficiente el narco rescatado del infierno an apartment on uranus the magic of thinking big harm reduction psychotherapy heaven and hell get us out of here lsd my problem child

directo al infierno sexo drogas y codicia las esc pdf - Oct 27 2022

web directo al infierno sexo drogas y codicia las esc 3 3 algo la felicidad es una cuestión personal y no depende de nadie más que de uno mismo sana locura es un viaje por las experiencias personales de la autora quien comparte sus más íntimas vivencias dolores angustias miedos y alegrías con el público que en sus propias palabras la

directo al infierno sexo drogas y codicia las esc pdf qr bonide - Apr 01 2023

web directo al infierno sexo drogas y codicia las esc downloaded from qr bonide com by guest jeramiah fitzgerald teaching translation from spanish to english metropolitan books el objetivo principal de esta obra literaria es advertirle al mundo especialmente a la juventud acerca de los peligrosos y letales halagos del

directo al infierno en directo album by demonik spotify - Jan 30 2023

web listen to directo al infierno en directo on spotify demonik album 2015 16 songs

directo al infierno sexo drogas y codicia las esc wrbb neu - Feb 28 2023

web charles bukowski hunde su lírica en las drogas el sexo y el realismo sucio de las clases más oprimidas una desolación que siempre buscó la belleza escritor de culto en toda europa charles bukowski usó la poesía para describir la depravación de la vida urbana y retratar a las clases más oprimidas de la sociedad norteamericana

directo al infierno sexo drogas y codicia las escandalosas - Jun 03 2023

web directo al infierno sexo drogas y codicia las escandalosas confesiones de un banquero de wall street deusto de lefevre john isbn 10 8423424928 isbn 13 9788423424924 deusto 2016 tapa blanda

directos al infierno 2004 filmaffinity - Feb 16 2022

web directos al infierno dos soldados norteamericanos que se encuentran luchando en francia son capturados cuando intentan desertar pero logran escapar antes de que se celebre el juicio a pesar del duro invierno y de los horrores de la guerra llegan a un pueblo donde deciden ayudar a unos niños huérfanos que han sido adiestrados por sus

directo al infierno sexo drogas y codicia las esc 2022 2013 - Aug 05 2023

web directo al infierno sexo drogas y codicia las esc downloaded from 2013 thecontemporaryaustin org by guest dale bautista blanco móvil harper perennial luna después de sumergirse en un vacío existencial que aniquila su autoestima decide hurgar en su árbol genealógico para encontrarse así misma profundizando en el

[an apache campaign in the sierra madre english ed 2022](#) - May 31 2023

web an apache campaign in the sierra madre an account of the expedition in pursuit of the hostile chiricahua apaches in the spring of 1883 the apache wars the truth about

an apache campaign in the sierra madre english ed download - Dec 14 2021

web an apache campaign in the sierra madre english ed downloaded from ftp themontcalmclub com by guest cassius carter the marmon battalion and the

pdf an apache campaign in the sierra madre english ed - Sep 22 2022

web an apache campaign in the sierra madre english ed napoleon s last campaign in germany 1813 the beginning of the end of the napoleonic era sep 27 2022 the war

[an apache campaign in the sierra madre english ed pdf](#) - Jun 19 2022

web an apache campaign in the sierra madre an apache campaign in the sierra madre an apache campaign in the sierra madre missing in action an apache campaign in the

an apache campaign in the sierra madre english ed download - Apr 17 2022

web 2 an apache campaign in the sierra madre english ed 2021 06 11 lt charles gateway and his apache wars memoir

crown in the early spring of 1886 the news of

an apache campaign in the sierra madre classicly - Mar 29 2023

web there is this difference to be noted however of the one hundred and twenty five 125 fighting men brought back from the sierra madre less than one third have engaged in

an apache campaign in the sierra madre amazon com - Sep 03 2023

web sep 1 1987 an apache campaign in the sierra madre is a crackling swift moving narrative of general george crook s pursuit of geronimo and other apache indians

[an apache campaign in the sierra madre 1987 edition open](#) - Nov 24 2022

web an apache campaign in the sierra madre by john gregory bourke 1987 university of nebraska press edition in english

an apache campaign in the sierra madre 1886 edition open - Feb 25 2023

web an apache campaign in the sierra madre an account of the expedition in pursuit of the hostile chiricahua apaches in the spring of 1883 by john gregory bourke

an apache campaign in the sierra madre english ed download - Oct 24 2022

web an apache campaign in the sierra madre an account of the expedition in pursuit of the hostile chiricahua apaches in the spring of 1883 general crook and the apache wars

an apache campaign in the sierra madre an account of the - Jan 27 2023

web an apache campaign in the sierra madre an account of the expedition in pursuit of the hostile chiricahua apaches in the spring of 1883 by bourke john gregory 1846 1896

[an apache campaign in the sierra madre kindle edition](#) - May 19 2022

web may 10 2021 an apache campaign in the sierra madre kindle edition by bourke john gregory download it once and read it on your kindle device pc phones or

an apache campaign in the sierra madre english ed copy - Mar 17 2022

web english ed an apache campaign in the sierra madre nov 14 2022 excerpt from an apache campaign in the sierra madre an account of the expedition in pursuit of the

[an apache campaign in the sierra madre john gregory](#) - Jul 01 2023

web apr 20 2021 english librivox recording of an apache campaign in the sierra madre by john gregory bourke read in english by david wales an account of the expedition

an apache campaign in the sierra madre english ed download - Jan 15 2022

web an apache campaign in the sierra madre an account of the expedition in pursuit of the hostile chiricahua apaches in the spring of 1883 history of sullivan s campaign against

an apache campaign in the sierra madre archive org - Apr 29 2023

web an apache campaign in the sierra madre an account of the expedition in pursuit of the hostile chiricahua apaches in the spring of 1883 bourke john gregory 1846 1896

free ebooks project gutenberg - Aug 02 2023

web apr 9 2021 we would like to show you a description here but the site won t allow us

[an apache campaign in the sierra madre open library](#) - Dec 26 2022

web december 21 2022 history edit an edition of an apache campaign in the sierra madre 1886 an apache campaign in the sierra madre an account of the expedition in

an apache campaign in the sierra madre open library - Aug 22 2022

web nov 22 2018 an apache campaign in the sierra madre by john g bourke 0 ratings 0 want to read 0 currently reading 0 have read this edition doesn t have a

[an apache campaign in the sierra madre archive org](#) - Oct 04 2023

web an apache campaign in the sierra madre author john gregory bourke

apache campaign in the sierra madre open library - Jul 21 2022

web apache campaign in the sierra madre by john gregory bourke 2021 independently published edition in english

an apache campaign in the sierra madre english ed - Feb 13 2022

web you could buy lead an apache campaign in the sierra madre english ed or get it as soon as feasible you could speedily download this an apache campaign in the

loading interface goodreads - Nov 12 2021

web discover and share books you love on goodreads

igcse biology past papers questions by topic save my exams - Aug 02 2022

web revision notes topic questions past papers

1b igcse biology past papers - Jul 01 2022

web we would like to show you a description here but the site won t allow us

[edexcel igcse biology double science past papers](#) - May 31 2022

web past papers concise resources for the igcse edexcel biology double science course exam papers mark schemes new spec jan 2022 qp 1b

edexcel igcse biology past papers study mind - Apr 29 2022

web edexcel igcse biology past papers are previous exam papers that were used in the international general certificate of secondary education igcse biology exam by

past papers cambridge igcse biology 0610 gce guide - Sep 03 2022

web aug 13 2023 past papers cambridge igcse biology 0610 2022 gce guide past papers of cambridge igcse biology 0610 2022 cambridge o levels cambridge

cambridge igcse biology 0610 - Aug 14 2023

web cambridge igcse biology 0610 past papers examiner reports and specimen papers you can download one or more papers for a previous session please note that these

igcse past papers wilsonbiology com - May 11 2023

web past papers from 2005 2019 paper 1 4bi1 1b specimen 2017 ms paper 1 edexcel biology igcse specimen 2017 qp paper 1b edexcel biology igcse paper 2

edexcel igcse biology past papers 4bi1 studydex - Dec 26 2021

web the past papers for the current edexcel igcse biology syllabus can be found here all the available exam past papers are listed below as this is a relatively new syllabus the

cambridge igcse biology past question papers cie vedantu - Jan 27 2022

web sep 7 2023 download free pdf of cambridge igcse biology past question papers on vedantu com for your cambridge international examinations cie register for igcse

mark scheme results summer 2021 pearson qualifications - Oct 04 2022

web jun 4 2021 pearson edexcel international gcse in biology 4bi1 paper 1b and science double award 4sd0 paper 1b edexcel and btec qualifications edexcel and btec

edexcel paper 1 igcse biology past papers pmt physics - Jan 07 2023

web you can find all edexcel biology igcse 4bi0 4bi1 paper 1 past papers and mark schemes below new spec 4bi1 question papers january 2020 r qp january 2020

edexcel igcse biology ig exams - Mar 29 2022

web paper 1b session year questions papers mark scheme june 2011 here

edexcel igcse biology past papers tutorchase - Feb 08 2023

web prepare for your edexcel igcse biology exams with our collection of past papers and mark schemes download now and start practicing for success

mark scheme results january 2018 pearson qualifications - Feb 25 2022

web mar 8 2018 in biology 4bi0 paper 1b edexcel and btec qualifications edexcel and btec qualifications come from pearson the world s leading learning company we

mark scheme results january 2019 pearson qualifications - Mar 09 2023

web mar 7 2019 january 2019 pearson edexcel international gcse in biology 4bi0 paper 1b edexcel and btec qualifications edexcel and btec qualifications are awarded by

past papers past exam papers pearson qualifications - Jun 12 2023

web our easy to use past paper search gives you instant access to a large library of past exam papers and mark schemes they re available free to teachers and students although

edexcel igcse biology past papers save my exams - Jul 13 2023

web june 2022 paper 1b qp june 2022 paper 1b ms june 2022 paper 1br qp june 2022 paper 1br ms june 2022 paper 2b qp june 2022 paper 2b ms june 2022

edexcel igcse biology past papers 4bi0 studydex - Oct 24 2021

web the past papers for the old edexcel igcse biology syllabus can be found here all the available exam past papers are listed below you can download or view the igcse

pearson edexcel international gcse biology save my exams - Nov 05 2022

web paper reference biology unit 4bi0 science double award 4sc0 paper 1b tuesday 9 january 2018 afternoon time 2 hours you must have ruler calculator instructions

past papers cambridge igcse biology 0610 gce guide - Apr 10 2023

web aug 13 2023 cambridge igcse biology 0610 cambridge igcse biology 0610 past papers cambridge igcse biology 0610 question papers cambridge igcse

webb discovers methane carbon dioxide in atmosphere of k2 - Sep 22 2021

web sep 11 2023 a new investigation with nasa s james webb space telescope into k2 18 b an exoplanet 8 6 times as massive as earth has revealed the presence of carbon

past papers cambridge igcse biology 0610 gce guide - Dec 06 2022

web aug 13 2023 past papers cambridge igcse biology 0610 2014 gce guide past papers of cambridge igcse biology 0610 2014 cambridge o levels cambridge

updated igcse past year papers 2023 topical past - Aug 22 2021

web topical past papers biology updated igcse past year exam papers 2023 with marking scheme and specimen papers up to 2025 subject available english physics

biology ig exams - Nov 24 2021

web paper 1 paper 1 session year variant questions papers mark scheme model answer october november 2001 1 here here here may june 2002 1 here here here october