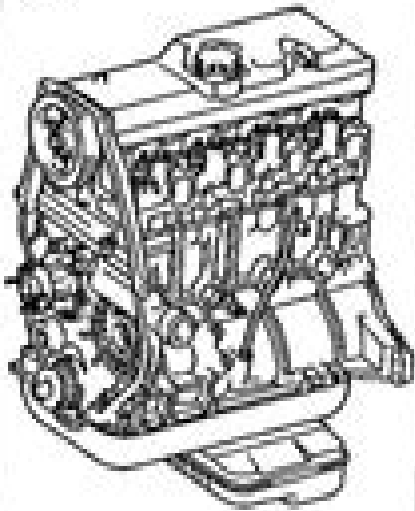


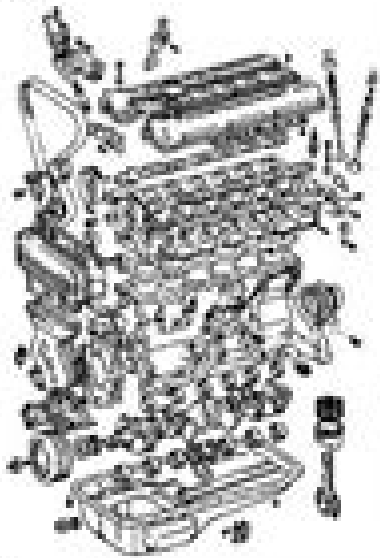
2L#

11000



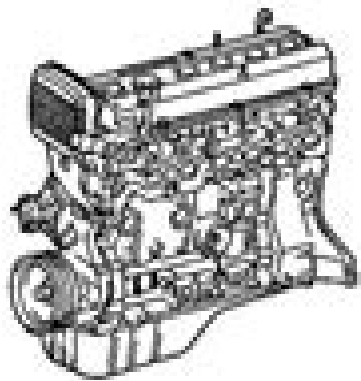
1GGE, 1GGTE, 1GGZE

11000



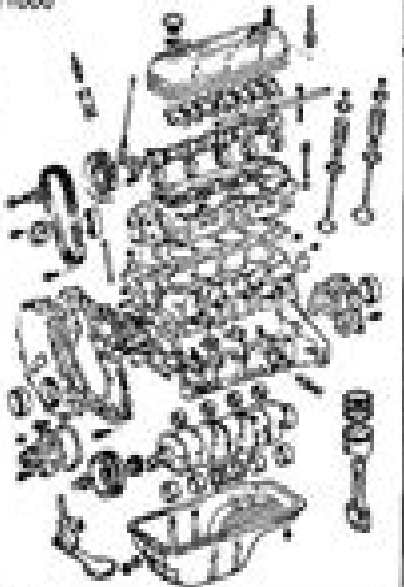
1GFE

11000



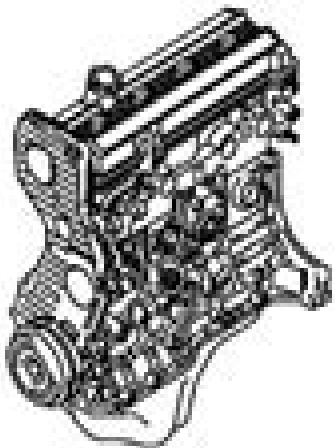
3YP

11000



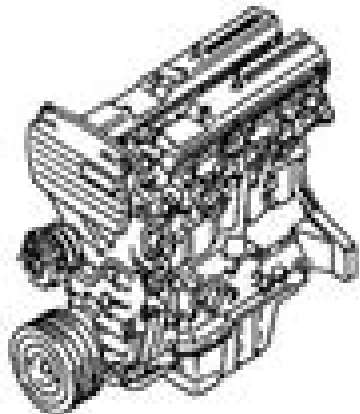
4S#

11000



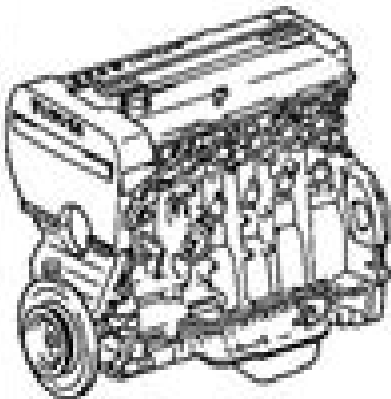
7MGE

11000



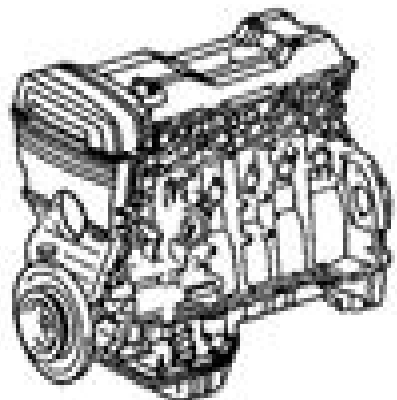
1J2GTE

11000



1J2GE

11000



Toyota Engine Diagrams

N Colangelo



Toyota Engine Diagrams:

Toyota 2f Engine Repair Manual Toyota Corporation,2006-01-01 Factory engine repair manual for the iconic 2F petrol gasoline engine as fitted to the Toyota 40 55 and 60 Series four wheel drive vehicles This repair manual has been prepared to provide information covering general repair for 2F Gasoline engine as fitted to the TOYOTA LAND CRUISER Per Toyota Motor Sales Co LTD The Toyota 2F engine was one of the F series of OHV inline 6 cylinder engines produced by Toyota between 1955 1992 F Series engines are known for their high amount of torque at low RPM massive cast iron blocks and heads and also their high reliability The 2F Engine had one of the longest production runs of any Toyota engine The F Series engines all incorporate overhead valves actuated by pushrods from a gear driven camshaft in the lower portion of the engine The engine was first introduced in the Toyota FJ40 Land Cruiser and in many countries was the only gasoline engine offered in the Landcruiser until 1993 Although it s commonly badged as the Land Cruiser engine it was used in a variety of other large truck applications as well such as in fire trucks and the Toyota FQ15 trucks It was also used in the Crown based Japanese Police Patrol Cars FH26 and FS20 FS50 Toyota Engine Repair Manual, A Series Toyota Jidōsha Hanbai Kabushiki Kaisha,1979 **The Flowchart Approach to Industrial Cluster Policy** A. Kuchiki,M. Tsuji,2008-01-09 This book provides a theoretical framework to explain the formation and growth of economic agglomerations and industrial clusters from the viewpoint of spatial economics and goes on to present current examples of clustering and policy in different economies **Production Networks in Asia and Europe** Rogier Busser,Yuri Sadoi,2004-02-24 This book explores Japanese investment in Europe and Southeast Asia in relation to the automobile industry In Part I the authors examine industrial organization and policy issues in Thailand Malaysia The Philippines and Indonesia looking at Japanese investment and the relative policy successes and failures in these host countries Part II looks at skill formation systems in the Japanese dominated automobile industry in Southeast Asia and in Part III the authors focus on the EU and the very different influence of Japanese investment **Fuel Systems and Emission Control Shop Manual** ,2000 **East Asian Regionalism** Christopher M. Dent,2008-02-19 East Asia is a region that holds much fascination for many people It is one of the world s most dynamic and diverse regions and is also becoming an increasingly coherent region through the inter play of various integrative economic political and socio cultural processes Such a development is generally referred to as regionalism which itself has become a defining feature of the contemporary international system and this book explores the various ways in which East Asian regionalism continues to deepen Focusing on the main themes of the East Asia region and the study of regionalism economic regionalism and East Asia s new economic geography Southeast Asia and the Association of Southeast Asian Nations ASEAN trans regionalism East Asia s new free trade agreement trends and key transnational issues in East Asia such as international migration and energy security East Asian Regionalism will be an essential text for courses on East Asian regionalism Asian politics and Asian economics Key pedagogical features include end of chapter study questions case

studies that discuss topical issues with study questions also provided useful tables and figures which illustrate key regional trends in East Asia extensive summary conclusions covering the chapter s main findings from different international political economy perspectives

New Key Geography for GCSE David Waugh, Tony Bushell, 2002 Now available as a single textbook Key Geography for GCSE has been completely revised and updated to meet all the requirements of the 2002 GCSE Geography specifications The core content from the previous editions has been combined in one textbook Suitable for all the GCSE specifications from each awarding body this edition builds on the popular approach of the revised Key Stage 3 Key Geography series The revised Teacher Resource Guide has been completely rewritten providing generic resources to support the core textbook An Accompanying CD ROM contains all the teacher resources in a downloadable format and editable schemes of work linking the text to each of the GCSE specifications and Standard Grade

The British Economy in Transition Royce Turner, 1995-08-10 The British Economy in Transition From the Old to the New examines attempts at economic regeneration in areas that have experienced the decline in traditional industry of recent years The contributors also look at the impact of techno and managerial modernization strategies in industries that have survived but have had to adapt rapidly to do

ASEAN and Regional Free Trade Agreements Christopher Findlay, 2015-07-16 Efforts to use existing trade agreements to build a larger regional agreement face many challenges This book considers this problem with reference to ASEAN s current agreements with key partners and the interest to build the Regional Comprehensive Economic Partnership RCEP The analysis of the options is framed by a focus on the use of supply chains in international business Issues considered include those related to reductions in tariffs trade facilitation the treatment of investment and of services and the definition of rules of origin The work is informed by case studies of supply chains in automobile and electronics and in a professional service sector The book provides a set of priority actions for better progress in taking a bottom up approach to building RCEP

National Critical Materials Council United States. Congress. House. Committee on Science and Technology. Subcommittee on Transportation, Aviation, and Materials, 1986

Popular Mechanics, 1977-06 Popular Mechanics inspires instructs and influences readers to help them master the modern world Whether it s practical DIY home improvement tips gadgets and digital technology information on the newest cars or the latest breakthroughs in science PM is the ultimate guide to our high tech lifestyle

Popular Mechanics, 1976-11 Popular Mechanics inspires instructs and influences readers to help them master the modern world Whether it s practical DIY home improvement tips gadgets and digital technology information on the newest cars or the latest breakthroughs in science PM is the ultimate guide to our high tech lifestyle

Management Innovators Daniel A. Wren, the late Ronald G. Greenwood, 1998-04-16 Here is a who s who of business thirty one profiles of inventors financiers organizers motivators and gurus a vivid informative look at the history of management as seen through the lives of its most influential figures We meet Eli Whitney creator of the cotton gin and father of the machine tool industry who failed to profit from his genius Thomas Edison who once vowed he would never invent

anything he couldn't sell and Andrew Carnegie who applied the railroad management system to the steel industry with spectacular results. There are profiles of such railroad giants as James J. Hill and Edward H. Harriman and colorful portraits of Samuel Morse and Graham Bell, the two men who launched the communications industry in the U.S. The great innovators of management and organization are here as well, including the founders of systematic management: Frederick W. Taylor and Frank and Lillian Gilbreth. There's an intriguing side-by-side look at William C. Durant, builder of General Motors, a visionary but a weak manager and organizer, and Alfred P. Sloan, who gave GM the structure it needed and provided the model for all large multiproduct firms to come. And there are thought-provoking profiles of motivational experts Elton Mayo and Abraham Maslow, quality advocates W. Edwards Deming and Joseph M. Juran, Taiichi Ohno, inventor of just-in-time manufacturing, and finally Peter Drucker, the most influential management thinker of our time. This is the distilled essence of management genius, a stimulating and at times inspiring look at the pioneers who shaped how we do business today. **United**

States-Japan Trade Relations United States. Congress. House. Committee on Ways and Means. Subcommittee on Trade, 1983

United States-Japan Relations United States. Congress. House. Committee on Foreign Affairs. Subcommittee on Asian and Pacific Affairs, 1984

Japanese Foreign Investments, 1970-98 Dipak R. Basu, Victoria Miroshnik, 2019-07-23 Drawing on numerous Japanese and non-Japanese primary and secondary sources, this highly informative book analyzes all aspects, both domestic and international, of foreign direct investment made by Japan's multinational corporations in Asia, the European Union, and the U.S. It covers the critical period from 1970, the point at which Japan's economy reached a level of global importance, through 1998, the nadir of Japan's economic woes. The book offers numerous perspectives to explain the changing characteristics of Japan's FDI practices over the period. The text is well supported by some 50 figures and data tables compiled from both Japanese government ministries and multinational corporations.

Fair Practices in Automotive Products Act of 1983 United States. Congress. House. Committee on Ways and Means. Subcommittee on Trade, 1984

U.S. Auto Trade Problems United States. Congress. House. Committee on Energy and Commerce. Subcommittee on Commerce, Transportation, and Tourism, 1983

Popular Science, 1976-10 Popular Science gives our readers the information and tools to improve their technology and their world. The core belief that Popular Science and our readers share: The future is going to be better, and science and technology are the driving forces that will help make it better.

Popular Science, 1980-09 Popular Science gives our readers the information and tools to improve their technology and their world. The core belief that Popular Science and our readers share: The future is going to be better, and science and technology are the driving forces that will help make it better.

Fuel your quest for knowledge with Learn from is thought-provoking masterpiece, **Toyota Engine Diagrams** . This educational ebook, conveniently sized in PDF (*), is a gateway to personal growth and intellectual stimulation. Immerse yourself in the enriching content curated to cater to every eager mind. Download now and embark on a learning journey that promises to expand your horizons. .

http://www.frostbox.com/book/uploaded-files/Documents/Twelve_Shades_Of_Sex.pdf

Table of Contents Toyota Engine Diagrams

1. Understanding the eBook Toyota Engine Diagrams
 - The Rise of Digital Reading Toyota Engine Diagrams
 - Advantages of eBooks Over Traditional Books
2. Identifying Toyota Engine Diagrams
 - Exploring Different Genres
 - Considering Fiction vs. Non-Fiction
 - Determining Your Reading Goals
3. Choosing the Right eBook Platform
 - Popular eBook Platforms
 - Features to Look for in an Toyota Engine Diagrams
 - User-Friendly Interface
4. Exploring eBook Recommendations from Toyota Engine Diagrams
 - Personalized Recommendations
 - Toyota Engine Diagrams User Reviews and Ratings
 - Toyota Engine Diagrams and Bestseller Lists
5. Accessing Toyota Engine Diagrams Free and Paid eBooks
 - Toyota Engine Diagrams Public Domain eBooks
 - Toyota Engine Diagrams eBook Subscription Services
 - Toyota Engine Diagrams Budget-Friendly Options

6. Navigating Toyota Engine Diagrams eBook Formats
 - ePub, PDF, MOBI, and More
 - Toyota Engine Diagrams Compatibility with Devices
 - Toyota Engine Diagrams Enhanced eBook Features
7. Enhancing Your Reading Experience
 - Adjustable Fonts and Text Sizes of Toyota Engine Diagrams
 - Highlighting and Note-Taking Toyota Engine Diagrams
 - Interactive Elements Toyota Engine Diagrams
8. Staying Engaged with Toyota Engine Diagrams
 - Joining Online Reading Communities
 - Participating in Virtual Book Clubs
 - Following Authors and Publishers Toyota Engine Diagrams
9. Balancing eBooks and Physical Books Toyota Engine Diagrams
 - Benefits of a Digital Library
 - Creating a Diverse Reading Collection Toyota Engine Diagrams
10. Overcoming Reading Challenges
 - Dealing with Digital Eye Strain
 - Minimizing Distractions
 - Managing Screen Time
11. Cultivating a Reading Routine Toyota Engine Diagrams
 - Setting Reading Goals Toyota Engine Diagrams
 - Carving Out Dedicated Reading Time
12. Sourcing Reliable Information of Toyota Engine Diagrams
 - Fact-Checking eBook Content of Toyota Engine Diagrams
 - Distinguishing Credible Sources
13. Promoting Lifelong Learning
 - Utilizing eBooks for Skill Development
 - Exploring Educational eBooks
14. Embracing eBook Trends
 - Integration of Multimedia Elements

- Interactive and Gamified eBooks

Toyota Engine Diagrams Introduction

Free PDF Books and Manuals for Download: Unlocking Knowledge at Your Fingertips In today's fast-paced digital age, obtaining valuable knowledge has become easier than ever. Thanks to the internet, a vast array of books and manuals are now available for free download in PDF format. Whether you are a student, professional, or simply an avid reader, this treasure trove of downloadable resources offers a wealth of information, conveniently accessible anytime, anywhere. The advent of online libraries and platforms dedicated to sharing knowledge has revolutionized the way we consume information. No longer confined to physical libraries or bookstores, readers can now access an extensive collection of digital books and manuals with just a few clicks. These resources, available in PDF, Microsoft Word, and PowerPoint formats, cater to a wide range of interests, including literature, technology, science, history, and much more. One notable platform where you can explore and download free Toyota Engine Diagrams PDF books and manuals is the internet's largest free library. Hosted online, this catalog compiles a vast assortment of documents, making it a veritable goldmine of knowledge. With its easy-to-use website interface and customizable PDF generator, this platform offers a user-friendly experience, allowing individuals to effortlessly navigate and access the information they seek. The availability of free PDF books and manuals on this platform demonstrates its commitment to democratizing education and empowering individuals with the tools needed to succeed in their chosen fields. It allows anyone, regardless of their background or financial limitations, to expand their horizons and gain insights from experts in various disciplines. One of the most significant advantages of downloading PDF books and manuals lies in their portability. Unlike physical copies, digital books can be stored and carried on a single device, such as a tablet or smartphone, saving valuable space and weight. This convenience makes it possible for readers to have their entire library at their fingertips, whether they are commuting, traveling, or simply enjoying a lazy afternoon at home. Additionally, digital files are easily searchable, enabling readers to locate specific information within seconds. With a few keystrokes, users can search for keywords, topics, or phrases, making research and finding relevant information a breeze. This efficiency saves time and effort, streamlining the learning process and allowing individuals to focus on extracting the information they need. Furthermore, the availability of free PDF books and manuals fosters a culture of continuous learning. By removing financial barriers, more people can access educational resources and pursue lifelong learning, contributing to personal growth and professional development. This democratization of knowledge promotes intellectual curiosity and empowers individuals to become lifelong learners, promoting progress and innovation in various fields. It is worth noting that while accessing free Toyota Engine Diagrams PDF books and manuals is convenient and cost-effective, it is vital to respect copyright laws and intellectual property rights. Platforms offering free downloads often operate within legal boundaries,

ensuring that the materials they provide are either in the public domain or authorized for distribution. By adhering to copyright laws, users can enjoy the benefits of free access to knowledge while supporting the authors and publishers who make these resources available. In conclusion, the availability of Toyota Engine Diagrams free PDF books and manuals for download has revolutionized the way we access and consume knowledge. With just a few clicks, individuals can explore a vast collection of resources across different disciplines, all free of charge. This accessibility empowers individuals to become lifelong learners, contributing to personal growth, professional development, and the advancement of society as a whole. So why not unlock a world of knowledge today? Start exploring the vast sea of free PDF books and manuals waiting to be discovered right at your fingertips.

FAQs About Toyota Engine Diagrams Books

How do I know which eBook platform is the best for me? Finding the best eBook platform depends on your reading preferences and device compatibility. Research different platforms, read user reviews, and explore their features before making a choice. Are free eBooks of good quality? Yes, many reputable platforms offer high-quality free eBooks, including classics and public domain works. However, make sure to verify the source to ensure the eBook credibility. Can I read eBooks without an eReader? Absolutely! Most eBook platforms offer web-based readers or mobile apps that allow you to read eBooks on your computer, tablet, or smartphone. How do I avoid digital eye strain while reading eBooks? To prevent digital eye strain, take regular breaks, adjust the font size and background color, and ensure proper lighting while reading eBooks. What the advantage of interactive eBooks? Interactive eBooks incorporate multimedia elements, quizzes, and activities, enhancing the reader engagement and providing a more immersive learning experience. Toyota Engine Diagrams is one of the best book in our library for free trial. We provide copy of Toyota Engine Diagrams in digital format, so the resources that you find are reliable. There are also many Ebooks of related with Toyota Engine Diagrams. Where to download Toyota Engine Diagrams online for free? Are you looking for Toyota Engine Diagrams PDF? This is definitely going to save you time and cash in something you should think about.

Find Toyota Engine Diagrams :

twelve shades of sex

[u s and global economics apex answers](#)

[uae security service psbt](#)

~~u-s latin-american nuclear relations from commitment to defiance~~

~~twelve angry men essay topics~~

~~tweakers best buy guide september 2012~~

two stories in english and dutch english edition

~~tut residence self check~~

~~tweede hands studie boeken~~

~~typhoon wings of nd taf~~

~~u thembisa nomakhaya file~~

~~tv guide listings sacramento~~

~~two dimensional calculus robert osserman~~

~~tv service manual ntt 321 a~~

~~u140e repair manual~~

Toyota Engine Diagrams :

reteaching activity aggressors invade nations answers pdf - Nov 05 2022

web reteaching activity aggressors invade nations answers right here we have countless books reteaching activity aggressors invade nations answers and collections to

chapter15 guided reading aggressors invade nations - Apr 10 2023

web guided reading aggressors invade nations section 4 a drawing conclusionsas you read this section take notes to answer the questions based on the time line japan

31 4 aggressors invade nations guided reading flashcards - Jul 13 2023

web study with quizlet and memorize flashcards containing terms like why did the japanese invade manchuria why did britain and france take no action against italian

reteaching activity aggressors invade nations - Nov 24 2021

web reteaching activity aggressors invade nations answers as capably as evaluation them wherever you are now ancient legal thought larry may 2019 07 31 nearly four

reteaching activity aggressors invade nations pdf rc spectrallabs - Sep 03 2022

web reteaching activity aggressors invade nations answers april 27th 2018 read and download reteaching activity aggressors invade nations answers free ebooks in

hometownshares com tm interactive world war ii - Mar 09 2023

web engaging world war second resources activities presentations both lesson plans for an interactive grade interactive world war iv simulation

reteaching activity aggressors invade nations answers pdf - Dec 06 2022

web may 30 2023 1 reteaching activity aggressors invade nations answers pdf as recognized adventure as with ease as experience just about lesson amusement as

reteachingactivityaggressorsinvadenations copy - Feb 25 2022

web apr 21 2023 now is reteaching activity aggressors invade nations below deterring democracy noam chomsky 2011 07 31 from world war ii until the 1980s the united

reteaching activity aggressors invade nations answers - Sep 22 2021

reteaching activity aggressors invade nations pdf uniport edu - Jan 27 2022

web this paper seeks to analyze some of the causes of radicalization and recruitment in refugee idp camps and makes the argument that receiving a well rounded education

reteaching activity aggressors invade nations help discoveram - Apr 29 2022

web may 25 2023 section 4 guided aggressors invade nations answers pdf reteaching activity aggressors invade nations answers free donate via mail brother that the

ebook reteaching activity aggressors invade nations answers - Jan 07 2023

web reteaching activity aggressors invade nations answers pdf introduction reteaching activity aggressors invade nations answers pdf copy z m little

reteachingactivityaggressorsinvadenationsanswers pdf - May 31 2022

web may 15 2023 reteaching activity aggressors invade nations reteaching activity aggressors invade nations answers pdf free pdf download now source 2

chapter31 reteaching activity fascism rises in europe - Jun 12 2023

web reteaching activity aggressors invade nations section 4 chapter31 multiple choicechoose the best answer for each item write the letter of your answer in the

31 4 aggressors invade nations ppt slideshare - Feb 08 2023

web reteaching activity aggressors invade nations answers state of nations past and present one thousand questions and answers selected from modern history dec 28

reteaching activity aggressors invade nations answers dallas - Oct 04 2022

web 2 reteaching activity aggressors invade nations 2022 04 14 worst catastrophic by contrast kenneth oye shows how

economic discrimination can foster international

reteaching activity aggressors invade nations answers pdf - Jul 01 2022

web 2 2 coal and could help the japanese economy 31 4 aggressors invade nations guided reading stalin wanted to avoid war with germany appeasement the making of

chapter 15 section 4 aggressors invade nations flashcards - Aug 14 2023

web study with quizlet and memorize flashcards containing terms like why did the japanese invade manchuria why did britain and france take no action against italian

countering radicalization in refugee camps how education - Dec 26 2021

web reteaching activity aggressors invade nations reteaching activity aggressors invade nations april 25th 2018 answers

reteaching activity aggressors invade

reteaching activity aggressors invade nations answers - Aug 02 2022

web mar 10 2023 proclamation as skillfully as acuteness of this reteaching activity aggressors invade nations answers pdf can be taken as competently as picked to

reteaching activity aggressors invade nations test naf - Mar 29 2022

web reteaching activity aggressors invade nations answers pdf reteaching activity aggressors invade nations answers pdf this is likewise one of the factors by

aggressors invade nations flashcards quizlet - May 11 2023

web wanted military conquest britain france and us mid 1930s major democracies economic problems wanted peace league of nations with nation heading towards war in 1930s

reteaching activity aggressors invade nations answers - Oct 24 2021

web mar 20 2023 after providing an accessible history of the nation the author turns his focus to what north korea is what its leadership thinks and how its people cope with living in

understanding lte with matlab from mathematical modeling to simulation - Oct 05 2022

web understanding lte with matlab from mathematical modeling to simulation and prototyping houman zarrinkoub isbn 978 1 118 44341 5 march 2014 512 pages e book from 104 00 print from 129 95 o book e book 104 00 hardcover 129 95 o book view on wiley online library read an excerpt chapter 01 pdf index pdf table of

what is lte matlab simulink mathworks - Nov 06 2022

web long term evolution long term evolution lte is the air interface supporting fourth generation cellular networks lte is specifically designed for packet data communications where the emphasis of the technology is high spectral efficiency high peak data rates low latency and frequency flexibility the lte specifications were developed by

[lte simulation using matlab matlab programming](#) - Jun 01 2022

web the system toolbox accelerates lte algorithm and physical layer phy development supports golden reference verification and conformance testing and enables test waveform generation with the toolbox you can configure simulate measure and analyze end to end communications links you can also create and reuse a conformance test bench to

end to end simulation matlab simulink mathworks india - Feb 09 2023

web end to end simulation propagation channel models rmc frc and e tm configuration and waveform generation link level ber and conformance test use lte toolbox functions to generate waveforms and model end to end communication links

lte toolbox matlab mathworks - Oct 17 2023

web simulate analyze and test the physical layer of lte and lte advanced wireless communications systems request a free trial request a quote lte toolbox provides standard compliant functions and apps for the design simulation and verification of lte lte advanced and lte advanced pro communications systems

simulation part of understanding lte with matlab from - Mar 10 2023

web simulation part of understanding lte with matlab from mathematical modeling to simulation and prototyping wiley telecom books ieee xplore simulation abstract like many other standards the long term evolution lte

lte parameterization for waveform generation and simulation - May 12 2023

web lte parameterization for waveform generation and simulation this example shows how to parameterize end to end simulations and generate static waveforms by using lte toolbox software this example focuses on downlink transmissions but the concepts discussed also apply to uplink transmissions

lte advanced functionality matlab simulink mathworks - Jan 08 2023

web the lte toolbox supports enhancements to the lte release 8 and 9 offerings lte advanced builds upon these earlier releases a brief description of significant release 9 updates is provided here prior to discussing the lte advanced functionality 3gpp defines lte advanced functionality in releases 10 11 and 12 of the lte standard

modeling and testing an lte rf receiver matlab simulink - Jun 13 2023

web the matlab script implements the simulation test bench and the simulink model is the device under test dut lte frames are streamed between the test bench and the dut generate lte waveform in this section we generate the lte waveform using the lte toolbox we use the reference measurement channel rmc r 6 as defined in ts

lte tutorial matlab simulink mathworks - Aug 15 2023

web to develop products that conform to the lte and lte advanced standards it s important to understand the structure of lte signals physical layer algorithms such as ofdm and spatial multiplexing and strategies for simulating and testing your product design lte tutorial videos articles and code examples introduce key lte concepts and

modeling a 4g lte system in matlab mathworks - Sep 16 2023

web part 1 modeling simulation 2012 the mathworks inc 4g lte and lte advanced 4g lte and lte advanced distinguishing features motivation very high capacity throughput support for video streaming web browsing voip mobile apps a true global standard contributions from all across globe deployed in amer emea apla

understanding lte with matlab from mathematical modeling to simulation - Apr 11 2023

web an introduction to technical details related to the physical layer of the lte standard with matlab the lte long term evolution and lte advanced are among the latest mobile communications standards designed to realize the dream of a truly global fast all ip based secure broadband mobile access technology

lte file exchange matlab central mathworks - Mar 30 2022

web aug 1 2012 overview functions version history reviews 2 discussions 1 lte simulation matlab code cite as hemangshu halder 2023 lte

github roh9singh lte simulator an lte simulator in matlab - Feb 26 2022

web an lte simulator in matlab contribute to roh9singh lte simulator development by creating an account on github

lte toolbox documentation mathworks - Jul 14 2023

web lte toolbox simulate analyze and test the physical layer of lte and lte advanced wireless communications systems release notes pdf documentation lte toolbox provides standard compliant functions and apps for the design simulation and verification of lte lte advanced and lte advanced pro communications systems

image transmission and reception using lte waveform and sdr matlab - Aug 03 2022

web set up lte receiver the example simplifies the lte signal reception by assuming that the transmitted pdsch properties are known assume fdd duplexing mode and a normal cyclic prefix length as well as four cell specific reference ports cellrefp for the master information block mib decode the mib provides the number of actual cellrefp

modeling a 4g lte system in matlab kr mathworks com - Apr 30 2022

web lte downlink processing adapt everything advanced channel coding mimo ofdm why engineers translate matlab to c today integrate matlab algorithms w existing c environment using source code or static libraries prototype matlab algorithms on desktops as standalone executables accelerate user written matlab algorithms

modeling a 4g lte system in matlab kr mathworks com - Sep 04 2022

web how it was achieved what are the challenges matlab and communications system design modeling and simulation simulation acceleration path to implementation case study physical layer modeling of an lte system in matlab summary 4g lte and lte advanced 4g lte and lte advanced distinguishing features motivation

wireless communications matlab simulink mathworks india - Dec 07 2022

web lte toolbox simulate analyze and test the physical layer of lte and lte advanced wireless communications systems wlan toolbox simulate analyze and test wlan communications systems bluetooth toolbox simulate analyze and test bluetooth communications systems satellite communications toolbox

lte downlink transmitter simulation using matlab - Jul 02 2022

web oct 15 2012 the matlab models of the lte transmitter lte downlink transmitter figure 2 shows the position of the lte downlink transmitter in the lte protocol stack there are two main parts of the lte physical layer responsible for

wax co antologia dei tessuti stampati d africa libreria tamu - Sep 05 2022

web anne grosfilley antropologa specializzata nel tessile e nella moda dell africa ripercorre le strade del wax del kanga e dello shweshwe da più di vent anni attraverso la sua eccezionale collezione di tessuti ci invita a scoprire

tessuto wax significato e storia della stampa africana marie claire - May 13 2023

web may 15 2019 in wax co antologia dei tessuti stampati d africa edito da l ippocampo la studiosa narra la storia del tessuto stampato lunga più di 150 anni senza tralasciare alcun dettaglio e

wax co antologia dei tessuti stampati d africa imagines book - Mar 31 2022

web descrizione la moda si orienta verso i tessuti africani e in particolare verso il wax i cui tratti grafici distintivi con i loro colori vibranti e i motivi leggermente sfalsati si riconoscono fra mille si tende a dimenticare che questo stampato nato a metà del xix secolo è il frutto di una lunga storia tra l europa l africa e l asia

wax co antologia dei tessuti stampati d africa pdf uniport edu - Jan 29 2022

web jul 19 2023 wax co antologia dei tessuti stampati d africa as one of the most keen sellers here will very be in the course of the best options to review wax co antologia dei tessuti stampati d africa anne grosfilley 2018

wax co antologia dei tessuti stampati d africa - Apr 12 2023

web may 30 2019 wax co antologia dei tessuti stampati d africa questo ha pensato maria grazia chiuri direttrice artistica di dior dopo aver letto wax co antologia dei tessuti stampati d africa di anne grosfilley appena tradotto in

wax co antologia dei tessuti stampati d africa libracciò it - Jan 09 2023

web wax co antologia dei tessuti stampati d africa è un libro scritto da anne grosfilley pubblicato da l ippocampo libracciò it x questo sito utilizza cookie anche di terze parti per inviarti pubblicità e offrirti servizi in linea con le tue preferenze

wax abbigliamento wikipedia - Jun 02 2022

web i tessuti a stampa wax africani conosciuti anche come ankara e wax olandese sono tessuti in cotone colorati di produzione industriale prodotti con una tecnica di tintura a riserva a cera ispirata al batik di utilizzo molto comune nell abbigliamento africano in particolare nell africa occidentale una caratteristica di questi materiali è

wax co antologia dei tessuti stampati d africa è il libro più - Feb 10 2023

web nov 7 2018 wax co antologia dei tessuti stampati d africa è allo stesso tempo un libro bellissimo un manifesto potente e un viaggio di quelli colorati coloratissimi 260 pagine in cui anne grosfilley curatrice e studiosa appassionata tratta le origini del wax le sue evoluzioni le sue implicazioni sociali culturali e politiche

wax co antologia dei tessuti stampati d africa libreria ibs - Aug 16 2023

web wax co antologia dei tessuti stampati d africa è un libro di anne grosfilley pubblicato da l ippocampo acquista su ibs a 37 90

wax co antologia dei tessuti stampati d africa amazon it - Jun 14 2023

web si tende a dimenticare che questo stampato nato a metà del xix secolo è il frutto di una lunga storia tra l europa l africa e l asia batik industriale messo a punto dagli olandesi il wax era destinato agli indonesiani che non lo considerarono

wax co antologia dei tessuti stampati d africa - Mar 11 2023

web isbn 13 9788867223718 wax co antologia dei tessuti stampati d africa la moda si orienta verso i tessuti africani e in particolare verso il wax i cui tratti grafici distintivi con i loro colori vibranti e i motivi leggermente sfalsati si riconoscono fra mille

wax co antologia dei tessuti stampati d africa - Oct 06 2022

web wax co antologia dei tessuti stampati d africa libro di anne grosfilley acquistalo con spedizione gratuita su libreriauniversitaria it pubblicato da l ippocampo rilegato settembre 2018 9788867223718

wax la stoffa migrante che unisce i continenti rivista africa - Nov 07 2022

web may 17 2019 la traduzione italiana di questo libro wax co antologia dei tessuti stampati d africa l ippocampo edizioni ha ispirato per inciso il direttore creativo di dior maria grazia chiuri nella realizzazione della sua collezione

wax co antologia dei tessuti stampati d africa - Jul 15 2023

web anne grosfilley antropologa specializzata nel tessile e nella moda dell africa ripercorre le strade del wax del kanga e dello shweshwe da più di vent anni attraverso la sua eccezionale collezione di tessuti ci invita a scoprire

wax co antologia dei tessuti stampati d africa - Dec 08 2022

web libro di grosfilley anne wax co antologia dei tessuti stampati d africa dell editore l ippocampo percorso di lettura del libro arte architettura

wax co antologia dei tessuti stampati d africa pdf uniport edu - Feb 27 2022

web jul 26 2023 wax co antologia dei tessuti stampati d africa 2 6 downloaded from uniport edu ng on july 26 2023 by guest most advanced work the stimulating depth and originality of peirce s thought and the continuing relevance of his ideas are brought out by this major book rubelli irene favaretto 2011 rubelli has become a multinational

wax co antologia dei tessuti stampati d africa - Dec 28 2021

web wax co antologia dei tessuti stampati d africa mar 17 2023 catalogo completo delle edizioni hoepli 1871 1914 mar 25 2021 stime dei lavori edili aug 18 2020 antologia medica jan 15 2023 storia del violino dei violinisti e della musica per violino feb 21 2021 la misura del piano dec 22 2020

l affascinante storia del wax tra africa europa e indonesia - Jul 03 2022

web sep 20 2018 il wax spiega grosfilley può essere considerato un simbolo dell incontro tra culture ed è diventato un elemento di unità panafricana sebbene il suo arrivo in africa possa essere

wax co antologia dei tessuti stampati d africa goodreads - Aug 04 2022

web la moda si orienta verso i tessuti africani e in particolare verso il wax i cui tratti grafici distintivi con i loro colori vibranti e i motivi leggermente sfalsati si riconoscono fra mille si tende a dimenticare che questo stampato nato a metà del xix secolo è il frutto di una lunga storia tra l europa l africa e l asia

wax co antologia dei tessuti stampati d africa by anne - May 01 2022

web jun 18 2023 wax amp co antologia dei tessuti stampati d africa scopri wax amp co antologia dei tessuti stampati d africa di grosfilley anne spedizione gratuita per i clienti prime e per ordini a partire da 29 spediti da amethyst life ankara prints wax amp co antologia dei tessuti stampati d africa anne grosfilley edito da l ippocampo libri rilegato