

## Side view

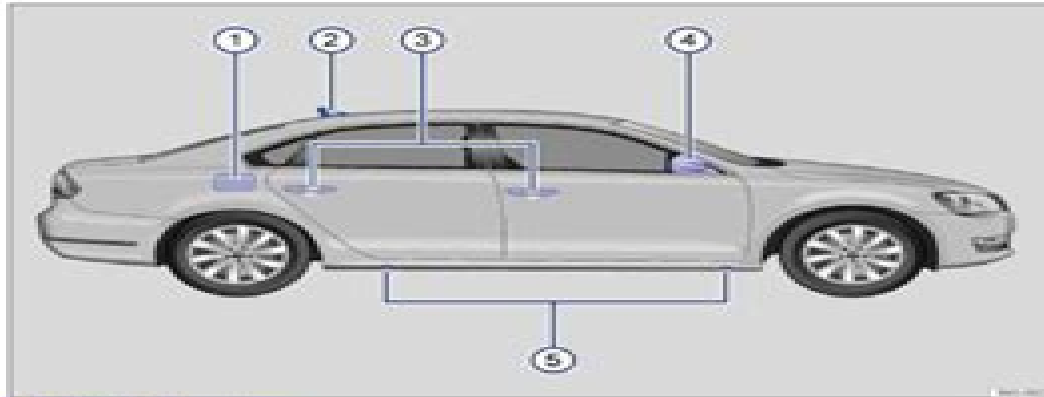


Fig. 1 Vehicle side overview.

Key to fig. 1:

- (1) Fuel filler flap
- (2) Roof antenna
- (3) Outside door handles
- (4) Outside mirror
- Additional turn signal light
- (5) Lift points for the jack

# Vw Passat Tdi 2009 Owners Manual

**WJ Hussar**



**Vw Passat Tdi 2009 Owners Manual:**

## Reviewing **Vw Passat Tdi 2009 Owners Manual**: Unlocking the Spellbinding Force of Linguistics

In a fast-paced world fueled by information and interconnectivity, the spellbinding force of linguistics has acquired newfound prominence. Its capacity to evoke emotions, stimulate contemplation, and stimulate metamorphosis is truly astonishing. Within the pages of "**Vw Passat Tdi 2009 Owners Manual**," an enthralling opus penned by a highly acclaimed wordsmith, readers set about an immersive expedition to unravel the intricate significance of language and its indelible imprint on our lives. Throughout this assessment, we shall delve into the book's central motifs, appraise its distinctive narrative style, and gauge its overarching influence on the minds of its readers.

[http://www.frostbox.com/results/publication/HomePages/sheldon\\_ross\\_probability\\_statistics\\_4th\\_solutions\\_manual.pdf](http://www.frostbox.com/results/publication/HomePages/sheldon_ross_probability_statistics_4th_solutions_manual.pdf)

### **Table of Contents Vw Passat Tdi 2009 Owners Manual**

1. Understanding the eBook Vw Passat Tdi 2009 Owners Manual
  - The Rise of Digital Reading Vw Passat Tdi 2009 Owners Manual
  - Advantages of eBooks Over Traditional Books
2. Identifying Vw Passat Tdi 2009 Owners Manual
  - Exploring Different Genres
  - Considering Fiction vs. Non-Fiction
  - Determining Your Reading Goals
3. Choosing the Right eBook Platform
  - Popular eBook Platforms
  - Features to Look for in an Vw Passat Tdi 2009 Owners Manual
  - User-Friendly Interface
4. Exploring eBook Recommendations from Vw Passat Tdi 2009 Owners Manual
  - Personalized Recommendations
  - Vw Passat Tdi 2009 Owners Manual User Reviews and Ratings
  - Vw Passat Tdi 2009 Owners Manual and Bestseller Lists

5. Accessing Vw Passat Tdi 2009 Owners Manual Free and Paid eBooks
  - Vw Passat Tdi 2009 Owners Manual Public Domain eBooks
  - Vw Passat Tdi 2009 Owners Manual eBook Subscription Services
  - Vw Passat Tdi 2009 Owners Manual Budget-Friendly Options
6. Navigating Vw Passat Tdi 2009 Owners Manual eBook Formats
  - ePub, PDF, MOBI, and More
  - Vw Passat Tdi 2009 Owners Manual Compatibility with Devices
  - Vw Passat Tdi 2009 Owners Manual Enhanced eBook Features
7. Enhancing Your Reading Experience
  - Adjustable Fonts and Text Sizes of Vw Passat Tdi 2009 Owners Manual
  - Highlighting and Note-Taking Vw Passat Tdi 2009 Owners Manual
  - Interactive Elements Vw Passat Tdi 2009 Owners Manual
8. Staying Engaged with Vw Passat Tdi 2009 Owners Manual
  - Joining Online Reading Communities
  - Participating in Virtual Book Clubs
  - Following Authors and Publishers Vw Passat Tdi 2009 Owners Manual
9. Balancing eBooks and Physical Books Vw Passat Tdi 2009 Owners Manual
  - Benefits of a Digital Library
  - Creating a Diverse Reading Collection Vw Passat Tdi 2009 Owners Manual
10. Overcoming Reading Challenges
  - Dealing with Digital Eye Strain
  - Minimizing Distractions
  - Managing Screen Time
11. Cultivating a Reading Routine Vw Passat Tdi 2009 Owners Manual
  - Setting Reading Goals Vw Passat Tdi 2009 Owners Manual
  - Carving Out Dedicated Reading Time
12. Sourcing Reliable Information of Vw Passat Tdi 2009 Owners Manual
  - Fact-Checking eBook Content of Vw Passat Tdi 2009 Owners Manual
  - Distinguishing Credible Sources
13. Promoting Lifelong Learning

- Utilizing eBooks for Skill Development
  - Exploring Educational eBooks
14. Embracing eBook Trends
- Integration of Multimedia Elements
  - Interactive and Gamified eBooks

### **Vw Passat Tdi 2009 Owners Manual Introduction**

Free PDF Books and Manuals for Download: Unlocking Knowledge at Your Fingertips In today's fast-paced digital age, obtaining valuable knowledge has become easier than ever. Thanks to the internet, a vast array of books and manuals are now available for free download in PDF format. Whether you are a student, professional, or simply an avid reader, this treasure trove of downloadable resources offers a wealth of information, conveniently accessible anytime, anywhere. The advent of online libraries and platforms dedicated to sharing knowledge has revolutionized the way we consume information. No longer confined to physical libraries or bookstores, readers can now access an extensive collection of digital books and manuals with just a few clicks. These resources, available in PDF, Microsoft Word, and PowerPoint formats, cater to a wide range of interests, including literature, technology, science, history, and much more. One notable platform where you can explore and download free Vw Passat Tdi 2009 Owners Manual PDF books and manuals is the internet's largest free library. Hosted online, this catalog compiles a vast assortment of documents, making it a veritable goldmine of knowledge. With its easy-to-use website interface and customizable PDF generator, this platform offers a user-friendly experience, allowing individuals to effortlessly navigate and access the information they seek. The availability of free PDF books and manuals on this platform demonstrates its commitment to democratizing education and empowering individuals with the tools needed to succeed in their chosen fields. It allows anyone, regardless of their background or financial limitations, to expand their horizons and gain insights from experts in various disciplines. One of the most significant advantages of downloading PDF books and manuals lies in their portability. Unlike physical copies, digital books can be stored and carried on a single device, such as a tablet or smartphone, saving valuable space and weight. This convenience makes it possible for readers to have their entire library at their fingertips, whether they are commuting, traveling, or simply enjoying a lazy afternoon at home. Additionally, digital files are easily searchable, enabling readers to locate specific information within seconds. With a few keystrokes, users can search for keywords, topics, or phrases, making research and finding relevant information a breeze. This efficiency saves time and effort, streamlining the learning process and allowing individuals to focus on extracting the information they need. Furthermore, the availability of free PDF books and manuals fosters a culture of continuous learning. By removing financial barriers, more people can access educational resources and pursue lifelong learning, contributing to

personal growth and professional development. This democratization of knowledge promotes intellectual curiosity and empowers individuals to become lifelong learners, promoting progress and innovation in various fields. It is worth noting that while accessing free Vw Passat Tdi 2009 Owners Manual PDF books and manuals is convenient and cost-effective, it is vital to respect copyright laws and intellectual property rights. Platforms offering free downloads often operate within legal boundaries, ensuring that the materials they provide are either in the public domain or authorized for distribution. By adhering to copyright laws, users can enjoy the benefits of free access to knowledge while supporting the authors and publishers who make these resources available. In conclusion, the availability of Vw Passat Tdi 2009 Owners Manual free PDF books and manuals for download has revolutionized the way we access and consume knowledge. With just a few clicks, individuals can explore a vast collection of resources across different disciplines, all free of charge. This accessibility empowers individuals to become lifelong learners, contributing to personal growth, professional development, and the advancement of society as a whole. So why not unlock a world of knowledge today? Start exploring the vast sea of free PDF books and manuals waiting to be discovered right at your fingertips.

### **FAQs About Vw Passat Tdi 2009 Owners Manual Books**

1. Where can I buy Vw Passat Tdi 2009 Owners Manual books? Bookstores: Physical bookstores like Barnes & Noble, Waterstones, and independent local stores. Online Retailers: Amazon, Book Depository, and various online bookstores offer a wide range of books in physical and digital formats.
2. What are the different book formats available? Hardcover: Sturdy and durable, usually more expensive. Paperback: Cheaper, lighter, and more portable than hardcovers. E-books: Digital books available for e-readers like Kindle or software like Apple Books, Kindle, and Google Play Books.
3. How do I choose a Vw Passat Tdi 2009 Owners Manual book to read? Genres: Consider the genre you enjoy (fiction, non-fiction, mystery, sci-fi, etc.). Recommendations: Ask friends, join book clubs, or explore online reviews and recommendations. Author: If you like a particular author, you might enjoy more of their work.
4. How do I take care of Vw Passat Tdi 2009 Owners Manual books? Storage: Keep them away from direct sunlight and in a dry environment. Handling: Avoid folding pages, use bookmarks, and handle them with clean hands. Cleaning: Gently dust the covers and pages occasionally.
5. Can I borrow books without buying them? Public Libraries: Local libraries offer a wide range of books for borrowing. Book Swaps: Community book exchanges or online platforms where people exchange books.

6. How can I track my reading progress or manage my book collection? Book Tracking Apps: Goodreads, LibraryThing, and Book Catalogue are popular apps for tracking your reading progress and managing book collections. Spreadsheets: You can create your own spreadsheet to track books read, ratings, and other details.
7. What are Vw Passat Tdi 2009 Owners Manual audiobooks, and where can I find them? Audiobooks: Audio recordings of books, perfect for listening while commuting or multitasking. Platforms: Audible, LibriVox, and Google Play Books offer a wide selection of audiobooks.
8. How do I support authors or the book industry? Buy Books: Purchase books from authors or independent bookstores. Reviews: Leave reviews on platforms like Goodreads or Amazon. Promotion: Share your favorite books on social media or recommend them to friends.
9. Are there book clubs or reading communities I can join? Local Clubs: Check for local book clubs in libraries or community centers. Online Communities: Platforms like Goodreads have virtual book clubs and discussion groups.
10. Can I read Vw Passat Tdi 2009 Owners Manual books for free? Public Domain Books: Many classic books are available for free as they're in the public domain. Free E-books: Some websites offer free e-books legally, like Project Gutenberg or Open Library.

### **Find Vw Passat Tdi 2009 Owners Manual :**

~~sheldon ross probability statistics 4th solutions manual~~

~~sharp mx b401 parts catalog~~

~~shop manual for 8560 john deere~~

~~shop manual 2015 polaris 550 xp~~

~~sharp operation manual and cookbook~~

~~sharp mx 4110n manual~~

**sharp er 3100 cash register manual**

*shoelaces for christmas*

**shipping container housing guide**

**sharp gf 9494 service manual**

**sheetmetal design guide**

*shimano nexus 5 speed manual*

~~shecme of work 4 ss2 3rd term mathematics~~



*shop manual 850 case dozer used*  
shattered phoenix club book english edition

**Vw Passat Tdi 2009 Owners Manual :**

logic pro x for dummies for dummies series paperback - Apr 08 2023

web buy logic pro x for dummies for dummies series by english graham isbn 9781118875049 from amazon s book store everyday low prices and free delivery on eligible orders

logic for dummies amazon com - Jul 11 2023

web nov 29 2006 this friendly guide explains logic concepts in plain english from proofs predicate logic and paradox to symbolic logic semantic structures and syllogisms step by step examples show you how to build and prove

logic pro x for dummies for dummies series amazon com - Mar 27 2022

web aug 1 2014 logic pro for dummies 29 99 this title has not yet been released crank your sound up to x with apple s premier recording software and logic pro x for dummies apple s logic pro x levels the playing field making high quality studio recordings accessible for any musician

logic pro x for dummies for dummies series by graham - Jul 31 2022

web read 2 reviews from the world s largest community for readers crank your sound up to x with apple s premier recording software and logic pro x for dummies

**logic pro x for dummies for dummies series softcover** - Feb 06 2023

web abebooks com logic pro x for dummies for dummies series 9781118875049 by english graham and a great selection of similar new used and collectible books available now at great prices logic pro x for dummies for dummies series english graham 9781118875049 abebooks

**logic for dummies** - Apr 27 2022

web logic for dummies explains a vast array of logical concepts and processes in easy to understand language that make everything clear to you whether you re a college student of a student of life

**buy logic for dummies for dummies series book online at** - Sep 13 2023

web amazon in buy logic for dummies for dummies series book online at best prices in india on amazon in read logic for dummies for dummies series book reviews author details and more at amazon in free delivery on qualified orders

**amazon in customer reviews logic for dummies for dummies series** - Jun 10 2023

web find helpful customer reviews and review ratings for logic for dummies for dummies series at amazon com read honest and unbiased product reviews from our users

[logic for dummies isbn 0471799416 pdf pdf room](#) - Sep 01 2022

web logic for dummies isbn 0471799416 pdf 2021 386 pages 6 33 mb english for dummies for beginners posted january 07 2021 submitted by superman explore pdf download pdf convert to view on amazon read pdf online read online page 1

[logic for dummies by mark zegarelli paperback barnes noble](#) - Jan 05 2023

web nov 29 2006 symbolic logic deductive and inductive reasoning logic for dummies tracks an introductory logic course at the college level concrete real world examples help you understand each concept you encounter while fully worked out proofs and fun logic problems encourage you students to apply what you ve learned product details

*logic for dummies wiley* - Dec 04 2022

web logic for dummies tracks an introductory logic course at the college level concrete real world examples help you understand each concept you encounter while fully worked out proofs and fun logic problems encourage you students to apply what you ve learned

*logic for dummies mark zegarelli google books* - Mar 07 2023

web dec 15 2010 formal logic syllogisms constructing proofs and refutations propositional and predicate logic modal and fuzzy logic symbolic logic deductive and inductive reasoning logic for dummies tracks an introductory logic course at the college level

*logic for dummies for dummies series tapa blanda* - Feb 23 2022

web this friendly guide explains logic concepts in plain english from proofs predicate logic and paradox to symbolic logic semantic structures and syllogisms step by step examples show you how to build and prove logical arguments and put equivalence rules to work

[logic for dummies for dummies series paperback amazon de](#) - Aug 12 2023

web you ll find out about formal logic syllogisms constructing proofs and refutations propositional and predicate logic modal and fuzzy logic symbolic logic deductive and inductive reasoning logic for dummies tracks an introductory logic course at

**logic for dummies mark zegarelli free download borrow** - Jun 29 2022

web apr 12 2022 logic for dummies by mark zegarelli addeddate 2022 04 12 00 12 52 identifier logic for dummies identifier ark ark 13960 s2r31j599fc ocr tesseract 5 0 0 1 g862e

**logic books dummies** - Nov 03 2022

web logic start with basic reasoning and think your way on up through the various types of formal logic we make it pretty easy logic books sort by newest to oldest newest to oldest

*logic for dummies by mark zegarelli goodreads* - Oct 02 2022

web nov 29 2006 you ll find out about formal logic syllogisms constructing proofs and refutations propositional and

predicate logic modal and fuzzy logic symbolic logic deductive and inductive reasoning logic for dummies tracks an introductory logic course at the college level

*logic for dummies cheat sheet* - Oct 14 2023

web updated 02 14 2022 from the book logic for dummies logic for dummies explore book buy on amazon logic is more than a science it s a language and if you re going to use the language of logic you need to know the grammar which includes operators identities equivalences and quantifiers for both sentential and quantifier logic

**logic for dummies wiley** - May 09 2023

web logic for dummies wiley a straightforward guide to logic concepts logic concepts are more mainstream than you may realize

**logic pro for dummies 3rd edition book o reilly media** - May 29 2022

web logic pro x for dummies 2nd edition by graham english spend less time learning and more time recording logic pro x offers mac users the tools book logic pro x 10 5 apple pro training series professional music production by david nahmani

**mp3408 body systems answer key form signnow** - Jun 19 2023

web quick steps to complete and e sign the respiratory system fill in the blanks answer key online use get form or simply click on the template preview to open it in the editor start completing the fillable fields and carefully type in required information use the cross or check marks in the top toolbar to select your answers in the list boxes

*mp3408 body systems form signnow* - Aug 21 2023

web mp3408 body systems digestive system answer key check out how easy it is to complete and esign documents online using fillable templates and a powerful editor get everything done in minutes

**free mb3 408 exam dumps free mb3 408 exam questions answers** - Mar 04 2022

web get free mb3 408 exam dumps for mb3 408 certification exam preparation our exam dumps are updated and verified by experts download now and pass your exam with confidence free examdumps com offers a wide range of certification exam dumps for free

mp3408 body systems circulatory answer key pdf copy - Jun 07 2022

web mp3408 body systems circulatory answer key pdf introduction mp3408 body systems circulatory answer key pdf copy eine nacht voller seligkeit sexy romance bella andre 2021 08 26 bats gr 3 5 georgina kucherik 2021 06 04 in ghost stories no haunted house is complete without a few bats flying around

**mp3408 body systems fill and sign printable template online** - Mar 16 2023

web complete mp3408 body systems online with us legal forms easily fill out pdf blank edit and sign them save or instantly send your ready documents

[mp3408 body systems fill online printable fillable blank](#) - Apr 17 2023

web fill mp3408 body systems edit online sign fax and printable from pc ipad tablet or mobile with pdf filler instantly try now

**mp3408 body systems currclick copy** - May 06 2022

web mp3408 body systems answer key answers for 2023 exams downloads mp3408 body systems answer key most popular 4436 kb s 3152 mp3408 body systems answer key 253 kb s 3341 mp3408 body systems answer key added by users 285 kb s 3114 keys to the best hvac systems in the summertime nothing is more refreshing than stepping into

**mp3408 body systems circulatory answer key copy** - Jan 14 2023

web mp3408 body systems circulatory answer key discover body systems apr 11 2023 the activities in this book explain elementary concepts in the study of the human body including the respiratory digestive excretory circulatory nervous skeletal and muscular systems general background information

**mp3408 body systems circulatory answer key trembach vera** - Feb 15 2023

web of this mp3408 body systems circulatory answer key by online you might not require more grow old to spend to go to the book creation as skillfully as search for them in some cases you likewise realize not discover the pronouncement mp3408 body systems circulatory answer key that you are looking for it will unquestionably squander the time

**mp3408 body systems answer key db udrive** - Oct 11 2022

web mp3408 body systems answer key 1 mp3408 body systems answer key eventually you will extremely discover a other experience and ability by spending more cash nevertheless when accomplish you resign yourself to

*mp3408 body systems answer key pdf remotestaff com* - Nov 12 2022

web list of file mp3408 body systems answer key page title 1 case studies for understanding the human body 2 100 questions about the human body 3 your body and how it works grades 5 8 4 glencoe science human body systems 5 human body 6 body structures and functions 7 how does my body work human body book for kids

**mp3408 body systems circulatory answer key stage gapinc** - Apr 05 2022

web 2 mp3408 body systems circulatory answer key 2022 08 04 well as many examples and applications new material on inequalities counting methods the inclusion exclusion principle and euler s phi function numerous new exercises with solutions to the odd numbered ones through careful explanations and examples this popular

*mp3408 body systems circulatory answer key pdf* - Sep 10 2022

web mp3408 body systems circulatory answer key 3 3 and nerves students will learn the main parts of the nervous system and how each works also investigate the organs of the five senses and then take a trip around the respiratory system find out exactly where air goes when we breathe it in and then out reading passages comprehension

*mp3408 body systems answer key answers for 2023 exams* - Oct 23 2023

web download mp3408 body systems answer key filename speed downloads mp3408 body systems answer key most popular 4436 kb s 3152 mp3408 body systems answer key 253 kb s 3341 mp3408 body systems answer key added by users 285 kb s 3114 keys to the best hvac systems in the summertime nothing is more

**mp3408 body systems answer key 2022 getasteria** - Jul 08 2022

web 2 mp3408 body systems answer key 2022 12 25 includes a number of special features with fun easy to prepare activities that cover topics from the three main branches of science physical science earth science and life science clear step by step instructions foster independent learning guided questions help develop observation and critical

mp3408 body systems ccp interactive - Sep 22 2023

web the activities in this book explain elementary concepts in the study of the human body including the respiratory digestive excretory circulatory nervous skeletal and muscular systems general background information suggested activities questions for discussion and answers are included

mp3408 body systems fill online printable fillable blank - Jul 20 2023

web download mp3408 body systems respiratory system answer key review and download this complete user guide or troubleshooting section mp3408 body systems respiratory system answer key to provides the answer and then for any potential benefit

introduction mp3408 body systems answer key pdf - Dec 13 2022

web mp3408 body systems answer key 2017 08 28 5 9 mp3408 body systems answer key 2023 we will extend the addition property of equality to say that when you add equal quantities to both sides of an equation the results are equal for any expressions a b c and d if a b and c d then a c b d to solve a system of equations by elimination

download file mp3408 body systems respiratory system answer key - May 18 2023

web apr 6 2023 download file mp3408 body systems respiratory system answer key pdf free copy electrical motor controls for integrated systems grade 7 science study guide with answer key grade 10 biology multiple choice questions and answers mcqs histology study guide with answer key zoology study guide with answer key 7th

**download file mp3408 body systems answer key read pdf** - Aug 09 2022

web electrical electronic systems troubleshooting electrical electronic systems embedded systems 5eng earth and space systems student journal answer key 2nd edition res answer key environmental systems cells skeletal muscular systems the skeletal system joints cartilage gr 5 8 fluid power systems operating systems

**guide for use of the u s army soldier and leader risk** - Mar 10 2023

web this implementation manual provides guidance for the use of the army soldier and leader risk reduction tool usa slrrt guide for use of the u s army soldier and leader risk reduction tool 5 e g basic combat training bct advanced individual

training ait

**slrrt army army military** - Dec 07 2022

web soldierleader risk reduction tool slrrt powerpoint ranger pre follow these simple steps to get fillable slrrt prepared for submitting risk reduction tool also known as the slrrt powerpoint class about soldier leader risk reduction tool slrrt agenda

**guide for use of the u s army soldier and leader risk** - Feb 09 2023

web determine level of risk deciding whether a soldier is low moderate or high risk is at the discretion of the leader and should be based on use of the usa slrrt in combination with other sources of information such as personal observations

reliable reporting sources and past counseling sessions interviews

**slrrt army form fill out and sign printable pdf template** - Sep 04 2022

web show details we are not affiliated with any brand or entity on this form how it works open the army slrrt and follow the instructions easily sign the army slrrt pdf with your finger send filled signed soldier leader risk reduction tool or

*slrrt fill and sign printable template online us legal forms* - Jun 01 2022

web the u s army soldier and leader risk reduction tool usa slrrt is a tool used during developmental counseling to develop a comprehensive picture of the health and welfare of our soliders and to manage and mitigate risk factors

army slrrt 2020 2023 fill and sign printable template online - Jan 08 2023

web follow these simple steps to get army slrrt completely ready for submitting get the document you want in our collection of templates open the template in our online editor look through the instructions to determine which information you must provide select the fillable fields and put the required information

*forscom soldier risk assessment pdf form formspal* - Mar 30 2022

web the army s forscom soldier risk assessment provides a systematic and holistic process that allows commanders to identify soldiers who are at an increased risk for adverse health outcomes the goal of the system is to intervene early and reduce or

safety risk management army publishing directorate - Nov 06 2022

web safety risk management department of the army pamphlet 385 30 h i s t o r y t h i s p u b l i c a t i o n i s a m a j o r revision summary this pamphlet provides infor mation needed to

get soldier leader risk reduction tool us legal forms - Aug 03 2022

web the risk reduction program s tools track assess and act on a number of soldier high risk behaviors deaths accidents self harm suicide attempts absent without leave or awol drug offenses alcohol offenses traffic violations crimes against persons crimes against property crimes against society domestic

*src belgesi nedir nereden alınır src belgesi alma Şartları nelerdir* - Dec 27 2021

web aug 29 2023 src belgesi ulařtırma bakanlıđı tarafından ehliyeti olan ve sınava girmek için gerekli olan tüm şartları sađlayan kiřilere 3 er aylık dönemler halinde yapılan sınavlarla verilen bir belgedir src belgesini ise yolcu ve yük taşımacılıđı için ticari amaçlı olarak araç kullanabilmek isteyen kiřilerin alması gerekir

**this new tool for commanders aims to id risky soldier behaviors** - Oct 05 2022

web oct 15 2020 pfc fabiana pettroza a behavioral health technician at fort polk la helps spread awareness about the prevalence of mental health illnesses and the importance of seeking help the

**guide for the use of the usa slrrt u s army g 1** - Apr 11 2023

web guide for use of the u s army soldier and leader risk reduction toola purpose this implementation manual provides guidance for the use of the u s army soldier and leader risk reduction tool usa slrrt

*risk assessment counseling armywriter com* - May 12 2023

web the u s army soldier and leader risk reduction tool usa slrrt is a tool used during developmental counseling to develop a comprehensive picture of the health and welfare of our soliders and to manage and mitigate risk factors

*fillable slrrt fill and sign printable template online us legal* - Apr 30 2022

web the forscm soldier risk assessment is a tool used to measure the soldier s ability to perform and their risk for injury or illness what happens if a soldier disagrees with a counseling statement the soldier cannot be forced to sign or comment on da form 4856

*tehlikeli mal taşımacılıđı sürücü sertifikası src 5 und* - Jan 28 2022

web jan 13 2021 karayoluyla tehlikeli madde taşıyan araç řoförlerine yönelik mesleki yeterlilik eđitimi yönergesi çerçevesinde 2021 yılı içerisinde yapılması planlanan src 5 sınavlarına iliřkin sınav tarihleri ile sınav başvuru başlangıç ve başvuru bitiş tarihlerini gösteren sınav takvimi açıklanmıştır

**forscom soldier risk assessment tool dp military** - Jun 13 2023

web dec 13 2011 forscm soldier risk tool maj as a leader you have the power to make a difference to save a life and to set a positive example a structured long term assessment and development program to build the resilience and enhance the performance of every soldier and family page 1 of 4 12 13 2011

**information for leaders usacrc** - Jul 14 2023

web u s army soldier leader risk reduction tool usa slrrt this tool is designed to help leaders identify potential risks among their soldiers non riding leader downloadable pamphlet t clocs

u s army soldier leader risk reduction tool usa slrrt - Aug 15 2023

web u s army soldier leader risk reduction tool usa slrrt low moderate high based on the concerns above and leader s knowledge of the soldier the soldier may be considered to be at low moderate or high risk if the statements below are

representative

**usa slrrt fill and sign printable template online us legal** - Jul 02 2022

web the forscorn soldier risk assessment is a tool used to measure the soldier s ability to perform and their risk for injury or illness what is the department of the army civilian counseling form use of da form 4856 is appropriate to counsel army civilians on professional growth and career goals

download solutions slrrt risk assessment - Feb 26 2022

web web jan 31 2023 risk assessment tools sometimes called risk assessment techniques are procedures or frameworks that can be used in the process of assessing and managing risks there are many ways to assess risk making risk assessment tools flexible and easy to use for a variety of jobs industries and needs risk assessment wikipedia sep 29 2022