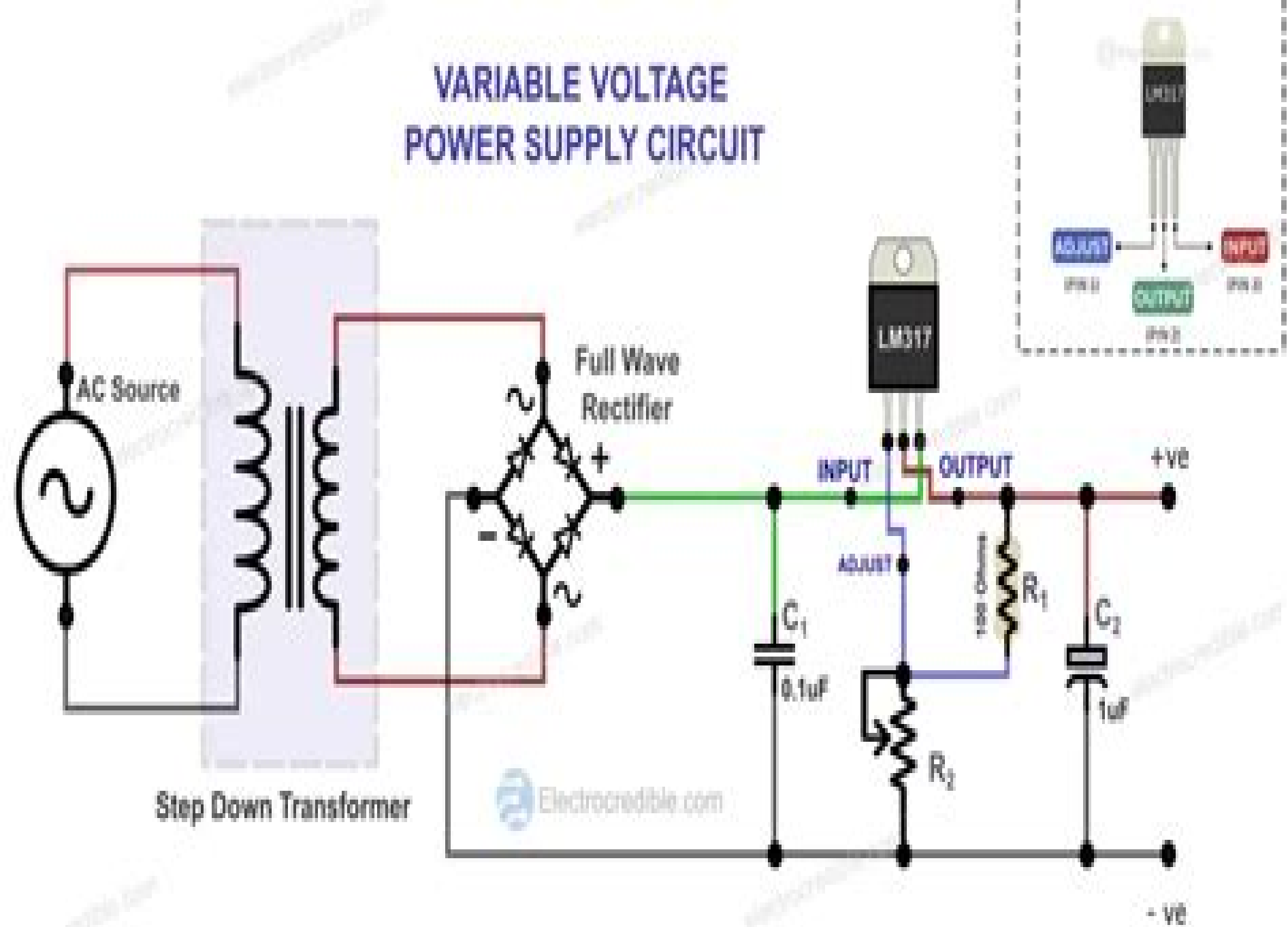


# VARIABLE VOLTAGE POWER SUPPLY CIRCUIT



# Variable Dc Voltage Circuit

**Thomas Griffiths**



## **Variable Dc Voltage Circuit:**

**DC Power Circuits** United States. National Aeronautics and Space Administration. Technology Utilization Office,1972

**Understanding DC Circuits** Dale Patrick,Stephen Fardo,1999-12-20 Understanding DC Circuits covers the first half of a basic electronic circuits theory course integrating theory and laboratory practice into a single text Several key features in each unit make this an excellent teaching tool objectives key terms self tests lab experiments and a unit exam Understanding DC Circuits is designed with the electronics beginner and student in mind The authors use a practical approach exposing the reader to the systems that are built with DC circuits making it easy for beginners to master even complex concepts in electronics while gradually building their knowledge base of both theory and applications Each chapter includes easy to read text accompanied by clear and concise graphics fully explaining each concept before moving onto the next The authors have provided section quizzes and chapter tests so the readers can monitor their progress and review any sections before moving onto the next chapter Each chapter also includes several electronics experiments allowing the reader to build small circuits and low cost projects for the added bonus of hands on experience in DC electronics Understanding DC Circuits fully covers dozens of topics including energy and matter static electricity electrical current conductors insulators voltage resistance schematic diagrams and symbols wiring diagrams block diagrams batteries tools and equipment test and measurement series circuits parallel circuits magnetism electromagnetism inductance capacitance soldering techniques circuit troubleshooting basic electrical safety plus much more Integrates theory and lab experiments Contains course and learning objectives and self quizzes Heavily illustrated

*Advanced Electronic Circuits* Mingbo Niu,2018-06-13 This research book volume offers an important learning opportunity with insights into a variety of emerging electronic circuit aspects such as new materials energy harvesting architectures and compressive sensing technique Advanced circuit technologies are extremely powerful and developed rapidly They change industry They change lives And we know they can change the world The exhibition on these new and exciting topics will benefit readers in related fields

**The CRC Handbook of Mechanical Engineering, Second Edition** ,1998-03-24 During the past 20 years the field of mechanical engineering has undergone enormous changes These changes have been driven by many factors including the development of computer technology worldwide competition in industry improvements in the flow of information satellite communication real time monitoring increased energy efficiency robotics automatic control increased sensitivity to environmental impacts of human activities advances in design and manufacturing methods These developments have put more stress on mechanical engineering education making it increasingly difficult to cover all the topics that a professional engineer will need in his or her career As a result of these developments there has been a growing need for a handbook that can serve the professional community by providing relevant background and current information in the field of mechanical engineering The CRC Handbook of Mechanical Engineering serves the needs of the professional engineer as a resource of information into the next

century Dc Machines And Transformers 2Ed K Murugesh Kumar,2004-12-01 Comprehensive lucid and student friendly in the true sense DC Machines and Transformers adopts a self study approach and is aimed at demystifying the subject for students who consider Electric Machines too tough This second edition has been thoroughly revised and includes a summary at the end of each chapter many short and long answer questions taken from question papers of various universities over the last 25 years

**Fundamentals of Power Electronics** Bhattacharya S.K.,2009-11-01 The Application Of Power Electronics Is Increasingly Being Seen In Residential Commercial Industrial Transportation Aerospace And Telecommunication Systems An Electrical Electronics Or Control Systems Engineer Needs To Understand The Basic Devices **Official Gazette of the United States Patent and Trademark Office** United States. Patent and Trademark Office,2001 *Grid-Side Converters Control and Design* Slobodan N. Vukosavic,2018-03-21 This textbook is intended for engineering students taking courses in power electronics renewable energy sources smart grids or static power converters It is also appropriate for students preparing a capstone project where they need to understand model supply control and specify the grid side power converters The main goal of the book is developing in students the skills that are required to design control and use static power converters that serve as an interface between the ac grid and renewable power sources The same skills can be used to design control and use the static power converters used within the micro grids and nano grids as the converters that provide the interface between such grids and the external grid The author s approach starts with basic functionality and the role of grid connected power converters in their typical applications and their static and dynamic characteristics Particular effort is dedicated to developing simple concise intuitive and easy to use mathematical models that summarize the essence of the grid side converter dynamics Mathematics is reduced to a necessary minimum solved examples are used extensively to introduce new concepts and exercises are used to test mastery of new skills *Electric Circuits and Networks* K. S. Suresh Kumar,K. S.. Suresh Kumar,2008-08-05 Electric Circuits and Networks is designed to serve as a textbook for a two semester undergraduate course on basic electric circuits and networks The book builds on the subject from its basic principles Spread over seventeen chapters the book can be taught with varying degree of emphasis on its six subsections based on the course requirement Written in a student friendly manner its narrative style places adequate stress on the principles that govern the behaviour of electric circuits and networks **Operator, Organizational, Direct Support, and General Support Maintenance Manual for Inverter, Power, Static PP-7078/U (NSN 6130-00-148-5783) (Deltec Model DI-5003-259).** ,1991 **Official Gazette of the United States Patent and Trademark Office** ,1983 *Operator, organizational, direct support, and general support maintenance manual for inverter, power, static PP-7078/U (NSN 6130-00-148-5763) (Deltec model DI-5003-259).* ,1991 *Position Sensors* David S. Nyce,2016-05-20 A resource on position sensor technology including background operational theory design and applications This book explains the theory and applications of the technologies used in the measurement of linear and angular rotary position sensors The first three chapters provide readers

with the necessary background information on sensors These chapters review the working definitions and conventions used in sensing technology the specifications of linear position transducers and sensors and how they affect performance and sensor output types and communication protocols The remaining chapters discuss each separate sensor technology in detail These include resistive sensors cable extension transducers capacitive sensors inductive sensors LVDT and RVDT sensors distributed impedance sensors Hall Effect sensors magnetoresistive sensors magnetostrictive sensors linear and rotary encoders and optical triangulation position sensors Discusses sensor specification theory of operation sensor design and application criteria Reviews the background history of the linear and angular rotary position sensors as well as the underlying engineering techniques Includes end of chapter exercises Position Sensors is written for electrical mechanical and material engineers as well as engineering students who are interested in understanding sensor technologies *The CRC Handbook of Mechanical Engineering* D. Yogi Goswami, 2004-09-29 The second edition of this standard setting handbook provides and all encompassing reference for the practicing engineer in industry government and academia with relevant background and up to date information on the most important topics of modern mechanical engineering These topics include modern manufacturing and design robotics computer engineering environmental engineering economics patent law and communication information systems The final chapter and appendix provide information regarding physical properties and mathematical and computational methods New topics include nanotechnology MEMS electronic packaging global climate change electric and hybrid vehicles and bioengineering Official Gazette of the United States Patent Office United States. Patent Office, 1975 *Organizational Maintenance Manual*, 1990 **ELECTRONIC DEVICES AND CIRCUITS** NAGRATH, I. J., 2007-09-13 Designed specifically for undergraduate students of Electronics and Electrical Engineering and its related disciplines this book offers an excellent coverage of all essential topics and provides a solid foundation for analysing electronic circuits It covers the course named Electronic Devices and Circuits of various universities The book will also be useful to diploma students AMIE students and those pursuing courses in B Sc Electronics and M Sc Physics The students are thoroughly introduced to the full spectrum of fundamental topics beginning with the theory of semiconductors and p n junction behaviour The devices treated include diodes transistors BJTs JFETs and MOSFETs and thyristors The circuitry covered comprises small signal ac power amplifiers oscillators and operational amplifiers including many important applications of those versatile devices A separate chapter on IC fabrication technology is provided to give an idea of the technologies being used in this area There are a variety of solved examples and applications for conceptual understanding Problems at the end of each chapter are provided to test reinforce and enhance learning *Solid State Electronics Devices (For MAKAUT)*, 3rd Edition Bandyopadhyay, Jyoti Prasad, Devices has been written for the undergraduate students of Electronics and Electrical Engineering The book caters to introductory and advance courses on Solid State Devices It is student friendly and written for those who like to understand the subject from a physical perspective

Even teachers and researchers will benefit immensely from this book This thoughtfully organized book provides intense knowledge of the subject with the help of lucid descriptions of theories and solved examples and covers the syllabus of most of the colleges under WBUT Electric Motors and Transformers (Theory and Practicals) Sanjay B. Bodkhe,2025-06-01

As recognized, adventure as well as experience nearly lesson, amusement, as well as contract can be gotten by just checking out a book **Variable Dc Voltage Circuit** after that it is not directly done, you could undertake even more all but this life, approaching the world.

We find the money for you this proper as well as simple artifice to get those all. We allow Variable Dc Voltage Circuit and numerous book collections from fictions to scientific research in any way. along with them is this Variable Dc Voltage Circuit that can be your partner.

[http://www.frostbox.com/files/publication/default.aspx/tc\\_p42st30\\_manual.pdf](http://www.frostbox.com/files/publication/default.aspx/tc_p42st30_manual.pdf)

## **Table of Contents Variable Dc Voltage Circuit**

1. Understanding the eBook Variable Dc Voltage Circuit
  - The Rise of Digital Reading Variable Dc Voltage Circuit
  - Advantages of eBooks Over Traditional Books
2. Identifying Variable Dc Voltage Circuit
  - Exploring Different Genres
  - Considering Fiction vs. Non-Fiction
  - Determining Your Reading Goals
3. Choosing the Right eBook Platform
  - Popular eBook Platforms
  - Features to Look for in an Variable Dc Voltage Circuit
  - User-Friendly Interface
4. Exploring eBook Recommendations from Variable Dc Voltage Circuit
  - Personalized Recommendations
  - Variable Dc Voltage Circuit User Reviews and Ratings
  - Variable Dc Voltage Circuit and Bestseller Lists
5. Accessing Variable Dc Voltage Circuit Free and Paid eBooks

- Variable Dc Voltage Circuit Public Domain eBooks
  - Variable Dc Voltage Circuit eBook Subscription Services
  - Variable Dc Voltage Circuit Budget-Friendly Options
6. Navigating Variable Dc Voltage Circuit eBook Formats
    - ePub, PDF, MOBI, and More
    - Variable Dc Voltage Circuit Compatibility with Devices
    - Variable Dc Voltage Circuit Enhanced eBook Features
  7. Enhancing Your Reading Experience
    - Adjustable Fonts and Text Sizes of Variable Dc Voltage Circuit
    - Highlighting and Note-Taking Variable Dc Voltage Circuit
    - Interactive Elements Variable Dc Voltage Circuit
  8. Staying Engaged with Variable Dc Voltage Circuit
    - Joining Online Reading Communities
    - Participating in Virtual Book Clubs
    - Following Authors and Publishers Variable Dc Voltage Circuit
  9. Balancing eBooks and Physical Books Variable Dc Voltage Circuit
    - Benefits of a Digital Library
    - Creating a Diverse Reading Collection Variable Dc Voltage Circuit
  10. Overcoming Reading Challenges
    - Dealing with Digital Eye Strain
    - Minimizing Distractions
    - Managing Screen Time
  11. Cultivating a Reading Routine Variable Dc Voltage Circuit
    - Setting Reading Goals Variable Dc Voltage Circuit
    - Carving Out Dedicated Reading Time
  12. Sourcing Reliable Information of Variable Dc Voltage Circuit
    - Fact-Checking eBook Content of Variable Dc Voltage Circuit
    - Distinguishing Credible Sources
  13. Promoting Lifelong Learning
    - Utilizing eBooks for Skill Development



- Exploring Educational eBooks
14. Embracing eBook Trends
- Integration of Multimedia Elements
  - Interactive and Gamified eBooks

### **Variable Dc Voltage Circuit Introduction**

Variable Dc Voltage Circuit Offers over 60,000 free eBooks, including many classics that are in the public domain. Open Library: Provides access to over 1 million free eBooks, including classic literature and contemporary works. Variable Dc Voltage Circuit Offers a vast collection of books, some of which are available for free as PDF downloads, particularly older books in the public domain. Variable Dc Voltage Circuit : This website hosts a vast collection of scientific articles, books, and textbooks. While it operates in a legal gray area due to copyright issues, its a popular resource for finding various publications. Internet Archive for Variable Dc Voltage Circuit : Has an extensive collection of digital content, including books, articles, videos, and more. It has a massive library of free downloadable books. Free-eBooks Variable Dc Voltage Circuit Offers a diverse range of free eBooks across various genres. Variable Dc Voltage Circuit Focuses mainly on educational books, textbooks, and business books. It offers free PDF downloads for educational purposes. Variable Dc Voltage Circuit Provides a large selection of free eBooks in different genres, which are available for download in various formats, including PDF. Finding specific Variable Dc Voltage Circuit, especially related to Variable Dc Voltage Circuit, might be challenging as theyre often artistic creations rather than practical blueprints. However, you can explore the following steps to search for or create your own Online Searches: Look for websites, forums, or blogs dedicated to Variable Dc Voltage Circuit, Sometimes enthusiasts share their designs or concepts in PDF format. Books and Magazines Some Variable Dc Voltage Circuit books or magazines might include. Look for these in online stores or libraries. Remember that while Variable Dc Voltage Circuit, sharing copyrighted material without permission is not legal. Always ensure youre either creating your own or obtaining them from legitimate sources that allow sharing and downloading. Library Check if your local library offers eBook lending services. Many libraries have digital catalogs where you can borrow Variable Dc Voltage Circuit eBooks for free, including popular titles. Online Retailers: Websites like Amazon, Google Books, or Apple Books often sell eBooks. Sometimes, authors or publishers offer promotions or free periods for certain books. Authors Website Occasionally, authors provide excerpts or short stories for free on their websites. While this might not be the Variable Dc Voltage Circuit full book , it can give you a taste of the authors writing style. Subscription Services Platforms like Kindle Unlimited or Scribd offer subscription-based access to a wide range of Variable Dc Voltage Circuit eBooks, including some popular titles.

## FAQs About Variable Dc Voltage Circuit Books

How do I know which eBook platform is the best for me? Finding the best eBook platform depends on your reading preferences and device compatibility. Research different platforms, read user reviews, and explore their features before making a choice. Are free eBooks of good quality? Yes, many reputable platforms offer high-quality free eBooks, including classics and public domain works. However, make sure to verify the source to ensure the eBook credibility. Can I read eBooks without an eReader? Absolutely! Most eBook platforms offer web-based readers or mobile apps that allow you to read eBooks on your computer, tablet, or smartphone. How do I avoid digital eye strain while reading eBooks? To prevent digital eye strain, take regular breaks, adjust the font size and background color, and ensure proper lighting while reading eBooks. What the advantage of interactive eBooks? Interactive eBooks incorporate multimedia elements, quizzes, and activities, enhancing the reader engagement and providing a more immersive learning experience. Variable Dc Voltage Circuit is one of the best book in our library for free trial. We provide copy of Variable Dc Voltage Circuit in digital format, so the resources that you find are reliable. There are also many Ebooks of related with Variable Dc Voltage Circuit. Where to download Variable Dc Voltage Circuit online for free? Are you looking for Variable Dc Voltage Circuit PDF? This is definitely going to save you time and cash in something you should think about.

### Find Variable Dc Voltage Circuit :

[tc p42st30 manual](#)

[technical analysis and stock market profits richard schabacker](#)

**[td8e dozer service manual](#)**

[team building theme ideas for dress up](#)

[tdmm 12th edition](#)

[teachers guide for chasing lincolns killer](#)

[teaching transparency the periodic table answers](#)

[tears in heaven piano sheets](#)

**[teaching parallel circuit to fourth grade](#)**

[technical analysis a to z by steven b achelis](#)

[tech 2 owners manual](#)

[teambuilding breaks out at climate conference english edition](#)

[teacherweb microscopic measurement answers](#)







web princes et princesses de la celtique le premier âge du fer en europe 850 450 av j c brun patrice amazon it libri

**amazon com princes et princesses de la celtique le premier âge du** - Jul 15 2023

web jan 1 1987 amazon com princes et princesses de la celtique le premier âge du fer en europe 850 450 av j c collection des hespérides french edition 9782903442460 brun patrice books

princes et princesses de la celtique actes sud - Jan 09 2023

web princes et princesses de la celtique le premier age du fer en europe 850 450 av j c jean pierre brun jean pierre brun patrice brun patrice brun du 9e au 5e siècle avant notre ère le monde celtique occupe le centre de l europe de la méditerranée à

*princes et princesses de la celtique le premier âge du fer en* - Sep 17 2023

web princes et princesses de la celtique le premier âge du fer en europe 850 450 av j c worldcat org

princes et princesses de la celtique le premier patrice brun - May 01 2022

web jan 1 1987 princes et princesses de la celtique le premier âge du fer en europe 850 450 av j c de plongez vous dans le livre patrice brun au format ajoutez le à votre liste de souhaits ou abonnez vous à l auteur patrice brun livraison gratuite à 0 01 dès 35 d achat furet du nord

*princes et princesses de la celtique le premier âge du fer en* - Mar 31 2022

web princes et princesses de la celtique le premier âge du fer en europe 850 450 av j c hespérides brun patrice amazon es libros

**princes et princesses de la celtique 1987 edition open library** - Apr 12 2023

web an edition of princes et princesses de la celtique le premier âge du fer en europe 850 450 av j c 1987

**ebook princes et princesses de la celtique le premier a** - Feb 10 2023

web princes et princesses de la celtique apr 19 2023 dictionnaire de la fable ou mythologie grecque latine egyptienne celtique tome premier second oct 13 2022

princes et princesses de la celtique le premier de patrice - Jun 14 2023

web jan 1 1987 du 9e au 5e siècle avant notre ère le monde celtique occupe le centre de l europe de la méditerranée à la baltique pendant ce premier âge du fer un nouveau système économique fait d échanges entre les civilisations grecque étrusques et le reste du monde se met en place les princes et princesses à leur mort se

*princes et princesses de la celtique le premier âge du fer babelio* - Oct 18 2023

web may 9 2018 pendant ce premier âge du fer un nouveau système économique fait d échanges entre les civilisations grecque étrusques et le reste du monde se met en place les princes et princesses à leur mort se font ensevelir avec un somptueux mobilier dans des monumentaux énormes tertres funéraires élevés au pied de leur résidence

**princes et princesses de la celtique le premier âge du fer en e** - Nov 07 2022

web nov 8 2014 du 9e au 5e siècle avant notre ère le monde celtique occupe le centre de l europe de la méditerranée à la baltique

*princes et princesses de la celtique le premier âge du fer en* - Mar 11 2023

web princes et princesses de la celtique le premier âge du fer en europe 850 450 av j c

**volkswagen polo repair service manuals 34 pdf s** - Sep 03 2023

web how to find your volkswagen workshop or owners manual we have 1902 free pdf s spread across 67 volkswagen vehicles to narrow down your search please use the

**volkswagen polo 2018 2020 workshop manuals wiring diagrams** - Sep 22 2022

web read and download repair service manuals for volkswagen polo no doubt about it the polo is sporty stylish and fun with its sleek body coloured bumpers powerful

*volkswagen polo workshop manual wiring diagrams* - May 31 2023

web volkswagen polo gti 1 8 workshop manuals if you want to undertake repairs for your volkswagen polo gti 1 8 then it is usually a good idea to possess a workshop

**volkswagen polo mk5 workshop manual polo mk5 onlymanuals** - May 19 2022

web volkswagen polo derby classic 1976 90 car repair manual ivor carroll 1992 vw polo owners workshop manual peter t gill 2014 vw polo hatchback petrol service

**volkswagen polo gti 1 8 t manuals car workshop manuals** - Nov 24 2022

web feb 20 2021 i came across this website where they provide the full workshop repair manual for vw polo aw link [cardiagn.com](http://cardiagn.com) volkswagen polo 20

**online volkswagen gti repair manual do it yourself** - Mar 17 2022

web mar 24 2020 other performance oriented models from the volkswagen stable that come with a good ol stick shift are the up gti and polo gti the german automaker will

[compra una volkswagen polo gti manuale usate su autoscout24](#) - Sep 10 2021

[polo aw workshop repair manual uk polos net the](#) - Aug 22 2022

web get your hands on the complete volkswagen factory workshop software download now 9 99 summary of content get notified when we add a new volkswagen polo manual

**volkswagen polo owner s manual manual directory** - Apr 17 2022

web oct 17 2019 when the uk order books for the gti gti models opened early last year the indications were that a manual

version would be introduced in q4 of 2018 to the uk

[volkswagen workshop service and repair manuals](#) - Jul 01 2023

web polo 1995 2010 workshop manual electrical system polo 2002 self study programme 263 polo self study programme 447  
volkswagen polo 2010 the design

**volkswagen polo owners service manuals user guides** - Jun 19 2022

web volkswagen factory service manuals online this site provides a detailed review of the alldata diy product which is an affordable diy version of the same professional

**manual volkswagen golf gti may not be dead after all msn** - Oct 12 2021

*2010vwpoloworkshopmanual full pdf cie advances asme* - Feb 13 2022

web sep 10 2015 like the dsg model the manual gearbox polo gti is powered by volkswagen s 1 8 litre turbopetrol four cylinder engine it delivers 141 kw from 4 200 to

**volkswagen pdf workshop and repair manuals free** - Apr 29 2023

web volkswagen polo 1 8 gti workshop manuals gives you certain diagnostic details with regards to your automobile so if something is broken it helps you identify what the issue

**volkswagen workshop service and repair manuals polo mk5** - Oct 24 2022

web the volkswagen online owner s manual we ve made it easy to access your owner s and radio navigation manuals online for model year 2012 and newer volkswagen

**volkswagen committed to keeping manual gearboxes alive** - Dec 14 2021

web volkswagen polo gti 2 0 tsi gti bluemotion tetto alcantara beats 23 990 buon prezzo 29 458 km manuale 07 2019 benzina 147 kw 200 cv dream car srl

**volkswagen owners manuals official vw digital resources** - Jul 21 2022

web you can find 16 different owner s manuals for the volkswagen polo on this page that are in the pdf format yearly polo owner s manuals the years available stretch from 2009

[volkswagen polo 1 8 gti manuals car workshop manuals](#) - Jan 27 2023

web polo mk5 volkswagen workshop service and repair manuals body general body repairs exterior exterior equipment equipment dependent attachments assembly

[volkswagen workshop repair owners manuals 100 free](#) - Aug 02 2023

web troubleshooting and repair of the engine transmission fuel system suspension sensor locations error codes and decoding wiring diagrams relays and fuses all manuals are



**volkswagen workshop service and repair manuals polo mk5** - Dec 26 2022

web workshop manuals maintenance 3 cyl direct injection engine 1 0l engine 4 v ea 211 turbocharger 3 cyl injection engine 1 0l engine 4 v ea 211 chya chyb chyc

**2024 volkswagen polo price and specs msn** - Aug 10 2021**polo gti manual uk polos net the vw polo forum** - Jan 15 2022

web roughly two months ago volkswagen released the golf gti 380 with the claim that this would be buyers last chance to own a manual gti but a new report from britain s

volkswagen polo gti manual 2015 review cars co za - Nov 12 2021

web the polo gti on the other hand costs 484 687 484 1598 484 for the first five services safety the volkswagen polo has a five star rating from ancap based on

**volkswagen polo pdf workshop and repair manuals** - Mar 29 2023

web polo mk5 volkswagen workshop service and repair manuals body general body repairs exterior exterior equipment equipment dependent attachments side member

**volkswagen polo free workshop and repair manuals** - Oct 04 2023

web updated august 23 we have 34 volkswagen polo manuals covering a total of 29 years of production in the table below you can see 1 polo workshop manuals 0 polo

**volkswagen polo gti 1 8 manuals car workshop manuals** - Feb 25 2023

web volkswagen polo gti 1 8 t workshop manuals provide you with specific diagnostic details on your car or truck therefore if something is broken it can help you ascertain