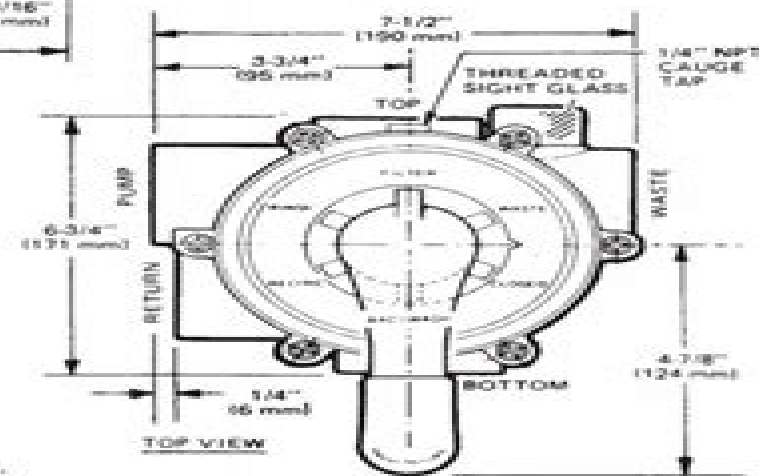
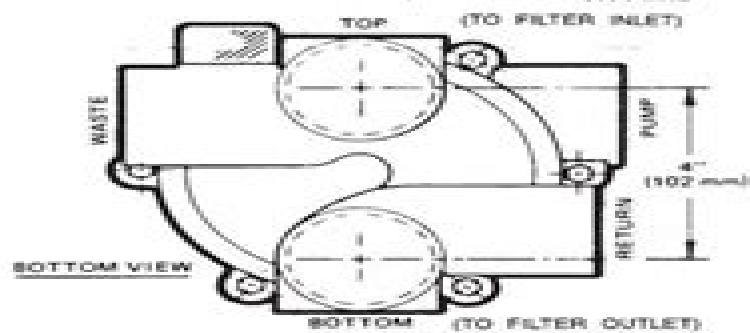
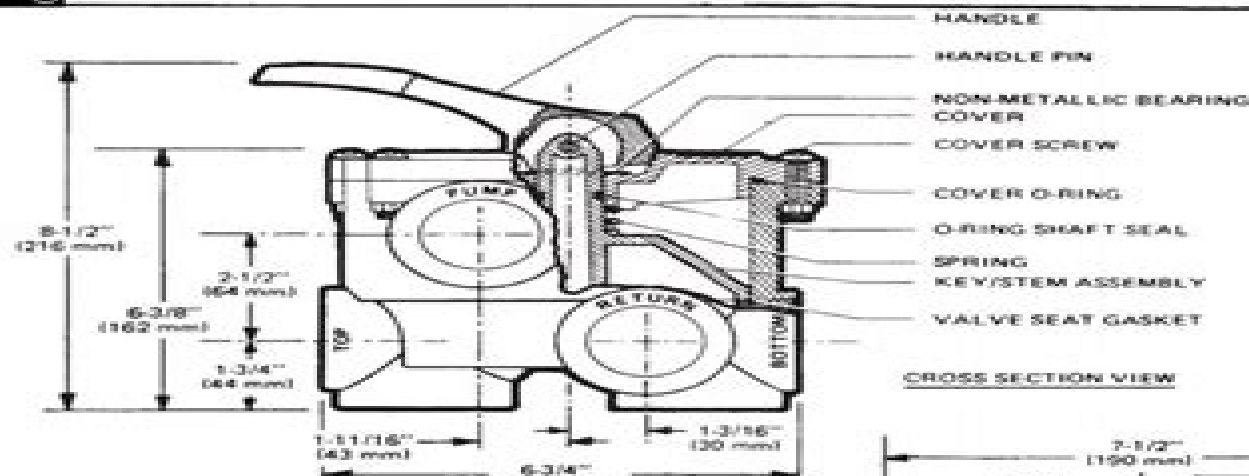




INSTRUCTION SHEET

SP0715 *Vari-Flo*™ Multiport Valve



NOTE: DOTTED LINES INDICATE OPTIONAL "TOP" OR "BOTTOM" PORTS.
 NOTE: "TOP" IS FILTER INLET; "BOTTOM" IS FILTER OUTLET.

PORT PIPING VARIATIONS



Vari Flo Valve Manual

Michael Seilmaier



Vari Flo Valve Manual:

NOAA Diving Manual United States. Office of Ocean Engineering,1979 *Pneumatic Handbook* Ronald Horace Warring,1982 **Fermentation Microbiology and Biotechnology** E. M. T. El-Mansi,C. F. A. Bryce,Arnold L. Demain,A.R. Allman,2006-10-25 The pace of progress in fermentation microbiology and biotechnology is fast and furious with new applications being implemented that are resulting in a spectrum of new products from renewable energy to solvents and pharmaceuticals *Fermentation Microbiology and Biotechnology* Second Edition builds on the foundation of the original semina Plant Operation and Optimization Gail Nalven,1996 A how to guide for safe and economic plant operations and maintenance The 47 papers address topics in fluid flow heat transfer measurement process analysis and control mixing reactors and plant optimization "Code of Massachusetts regulations, 2001" ,2001 Archival snapshot of entire looseleaf Code of Massachusetts Regulations held by the Social Law Library of Massachusetts as of January 2020 "Code of Massachusetts regulations, 1999" ,1999 Archival snapshot of entire looseleaf Code of Massachusetts Regulations held by the Social Law Library of Massachusetts as of January 2020 Hydraulics & Pneumatics ,1964 The Jan 1956 issue includes Fluid power engineering index 1931 55 "Code of Massachusetts regulations, 1993" ,1993 Archival snapshot of entire looseleaf Code of Massachusetts Regulations held by the Social Law Library of Massachusetts as of January 2020 **"Code of Massachusetts regulations, 1996"** ,1996 Archival snapshot of entire looseleaf Code of Massachusetts Regulations held by the Social Law Library of Massachusetts as of January 2020 Instrumentation Technology ,1972 "Code of Massachusetts regulations, 1998" ,1998 Archival snapshot of entire looseleaf Code of Massachusetts Regulations held by the Social Law Library of Massachusetts as of January 2020 **Canadian Mining Manual** ,1968 **"Code of Massachusetts regulations, 2002"** ,2002 Archival snapshot of entire looseleaf Code of Massachusetts Regulations held by the Social Law Library of Massachusetts as of January 2020 *Hydrocarbon Processing* ,1985 September 1 2021 Since 1922 management and technical professionals from petroleum refining gas processing petrochemical chemical and engineer constructor companies throughout the world have turned to *Hydrocarbon Processing* for high quality technical and operating information Through its monthly magazine website and e newsletters *Hydrocarbon Processing* covers technological advances processes and optimization developments from throughout the global *Hydrocarbon Processing* Industry HPI *Hydrocarbon Processing* editors and writers provide real world case studies and practical information that readers can use to improve their companies operations and their own professional job skills taken from publisher web site **"Code of Massachusetts regulations, 2004"** ,2004 Archival snapshot of entire looseleaf Code of Massachusetts Regulations held by the Social Law Library of Massachusetts as of January 2020 Heating, Piping, and Air Conditioning ,1954 Vols for May 1929 Dec 1958 include the *Journal of the American Society of Heating and Air Conditioning Engineers* called in 1929 54 *American Society of Heating and Ventilating Engineers* in Journal section **Diesel Power** ,1957 **Technical Association of the Pulp and Paper**

Industry ,1981 **"Code of Massachusetts regulations, 1997"** ,1997 Archival snapshot of entire looseleaf Code of Massachusetts Regulations held by the Social Law Library of Massachusetts as of January 2020 *Catalog of Copyright Entries, Third Series* Library of Congress. Copyright Office,1965 The record of each copyright registration listed in the Catalog includes a description of the work copyrighted and data relating to the copyright claim the name of the copyright claimant as given in the application for registration the copyright date the copyright registration number etc

Uncover the mysteries within Explore with is enigmatic creation, Embark on a Mystery with **Vari Flo Valve Manual** . This downloadable ebook, shrouded in suspense, is available in a PDF format (Download in PDF: *). Dive into a world of uncertainty and anticipation. Download now to unravel the secrets hidden within the pages.

<http://www.frostbox.com/files/publication/index.jsp/ski%20doo%20grand%20touring%20700%20gs%202002%20shop%20manual.pdf>

Table of Contents Vari Flo Valve Manual

1. Understanding the eBook Vari Flo Valve Manual
 - The Rise of Digital Reading Vari Flo Valve Manual
 - Advantages of eBooks Over Traditional Books
2. Identifying Vari Flo Valve Manual
 - Exploring Different Genres
 - Considering Fiction vs. Non-Fiction
 - Determining Your Reading Goals
3. Choosing the Right eBook Platform
 - Popular eBook Platforms
 - Features to Look for in an Vari Flo Valve Manual
 - User-Friendly Interface
4. Exploring eBook Recommendations from Vari Flo Valve Manual
 - Personalized Recommendations
 - Vari Flo Valve Manual User Reviews and Ratings
 - Vari Flo Valve Manual and Bestseller Lists
5. Accessing Vari Flo Valve Manual Free and Paid eBooks
 - Vari Flo Valve Manual Public Domain eBooks
 - Vari Flo Valve Manual eBook Subscription Services
 - Vari Flo Valve Manual Budget-Friendly Options

6. Navigating Vari Flo Valve Manual eBook Formats
 - ePub, PDF, MOBI, and More
 - Vari Flo Valve Manual Compatibility with Devices
 - Vari Flo Valve Manual Enhanced eBook Features
7. Enhancing Your Reading Experience
 - Adjustable Fonts and Text Sizes of Vari Flo Valve Manual
 - Highlighting and Note-Taking Vari Flo Valve Manual
 - Interactive Elements Vari Flo Valve Manual
8. Staying Engaged with Vari Flo Valve Manual
 - Joining Online Reading Communities
 - Participating in Virtual Book Clubs
 - Following Authors and Publishers Vari Flo Valve Manual
9. Balancing eBooks and Physical Books Vari Flo Valve Manual
 - Benefits of a Digital Library
 - Creating a Diverse Reading Collection Vari Flo Valve Manual
10. Overcoming Reading Challenges
 - Dealing with Digital Eye Strain
 - Minimizing Distractions
 - Managing Screen Time
11. Cultivating a Reading Routine Vari Flo Valve Manual
 - Setting Reading Goals Vari Flo Valve Manual
 - Carving Out Dedicated Reading Time
12. Sourcing Reliable Information of Vari Flo Valve Manual
 - Fact-Checking eBook Content of Vari Flo Valve Manual
 - Distinguishing Credible Sources
13. Promoting Lifelong Learning
 - Utilizing eBooks for Skill Development
 - Exploring Educational eBooks
14. Embracing eBook Trends
 - Integration of Multimedia Elements

- Interactive and Gamified eBooks

Vari Flo Valve Manual Introduction

Free PDF Books and Manuals for Download: Unlocking Knowledge at Your Fingertips In today's fast-paced digital age, obtaining valuable knowledge has become easier than ever. Thanks to the internet, a vast array of books and manuals are now available for free download in PDF format. Whether you are a student, professional, or simply an avid reader, this treasure trove of downloadable resources offers a wealth of information, conveniently accessible anytime, anywhere. The advent of online libraries and platforms dedicated to sharing knowledge has revolutionized the way we consume information. No longer confined to physical libraries or bookstores, readers can now access an extensive collection of digital books and manuals with just a few clicks. These resources, available in PDF, Microsoft Word, and PowerPoint formats, cater to a wide range of interests, including literature, technology, science, history, and much more. One notable platform where you can explore and download free Vari Flo Valve Manual PDF books and manuals is the internet's largest free library. Hosted online, this catalog compiles a vast assortment of documents, making it a veritable goldmine of knowledge. With its easy-to-use website interface and customizable PDF generator, this platform offers a user-friendly experience, allowing individuals to effortlessly navigate and access the information they seek. The availability of free PDF books and manuals on this platform demonstrates its commitment to democratizing education and empowering individuals with the tools needed to succeed in their chosen fields. It allows anyone, regardless of their background or financial limitations, to expand their horizons and gain insights from experts in various disciplines. One of the most significant advantages of downloading PDF books and manuals lies in their portability. Unlike physical copies, digital books can be stored and carried on a single device, such as a tablet or smartphone, saving valuable space and weight. This convenience makes it possible for readers to have their entire library at their fingertips, whether they are commuting, traveling, or simply enjoying a lazy afternoon at home. Additionally, digital files are easily searchable, enabling readers to locate specific information within seconds. With a few keystrokes, users can search for keywords, topics, or phrases, making research and finding relevant information a breeze. This efficiency saves time and effort, streamlining the learning process and allowing individuals to focus on extracting the information they need. Furthermore, the availability of free PDF books and manuals fosters a culture of continuous learning. By removing financial barriers, more people can access educational resources and pursue lifelong learning, contributing to personal growth and professional development. This democratization of knowledge promotes intellectual curiosity and empowers individuals to become lifelong learners, promoting progress and innovation in various fields. It is worth noting that while accessing free Vari Flo Valve Manual PDF books and manuals is convenient and cost-effective, it is vital to respect copyright laws and intellectual property rights. Platforms offering free downloads often operate within legal boundaries, ensuring that

the materials they provide are either in the public domain or authorized for distribution. By adhering to copyright laws, users can enjoy the benefits of free access to knowledge while supporting the authors and publishers who make these resources available. In conclusion, the availability of Vari Flo Valve Manual free PDF books and manuals for download has revolutionized the way we access and consume knowledge. With just a few clicks, individuals can explore a vast collection of resources across different disciplines, all free of charge. This accessibility empowers individuals to become lifelong learners, contributing to personal growth, professional development, and the advancement of society as a whole. So why not unlock a world of knowledge today? Start exploring the vast sea of free PDF books and manuals waiting to be discovered right at your fingertips.

FAQs About Vari Flo Valve Manual Books

1. Where can I buy Vari Flo Valve Manual books? Bookstores: Physical bookstores like Barnes & Noble, Waterstones, and independent local stores. Online Retailers: Amazon, Book Depository, and various online bookstores offer a wide range of books in physical and digital formats.
2. What are the different book formats available? Hardcover: Sturdy and durable, usually more expensive. Paperback: Cheaper, lighter, and more portable than hardcovers. E-books: Digital books available for e-readers like Kindle or software like Apple Books, Kindle, and Google Play Books.
3. How do I choose a Vari Flo Valve Manual book to read? Genres: Consider the genre you enjoy (fiction, non-fiction, mystery, sci-fi, etc.). Recommendations: Ask friends, join book clubs, or explore online reviews and recommendations. Author: If you like a particular author, you might enjoy more of their work.
4. How do I take care of Vari Flo Valve Manual books? Storage: Keep them away from direct sunlight and in a dry environment. Handling: Avoid folding pages, use bookmarks, and handle them with clean hands. Cleaning: Gently dust the covers and pages occasionally.
5. Can I borrow books without buying them? Public Libraries: Local libraries offer a wide range of books for borrowing. Book Swaps: Community book exchanges or online platforms where people exchange books.
6. How can I track my reading progress or manage my book collection? Book Tracking Apps: Goodreads, LibraryThing, and Book Catalogue are popular apps for tracking your reading progress and managing book collections. Spreadsheets: You can create your own spreadsheet to track books read, ratings, and other details.
7. What are Vari Flo Valve Manual audiobooks, and where can I find them? Audiobooks: Audio recordings of books,

perfect for listening while commuting or multitasking. Platforms: Audible, LibriVox, and Google Play Books offer a wide selection of audiobooks.

8. How do I support authors or the book industry? Buy Books: Purchase books from authors or independent bookstores. Reviews: Leave reviews on platforms like Goodreads or Amazon. Promotion: Share your favorite books on social media or recommend them to friends.
9. Are there book clubs or reading communities I can join? Local Clubs: Check for local book clubs in libraries or community centers. Online Communities: Platforms like Goodreads have virtual book clubs and discussion groups.
10. Can I read Vari Flo Valve Manual books for free? Public Domain Books: Many classic books are available for free as they're in the public domain. Free E-books: Some websites offer free e-books legally, like Project Gutenberg or Open Library.

Find Vari Flo Valve Manual :

~~ski doo grand touring 700 gs 2002 shop manual~~

~~skills directed a section chemical changes answers~~

~~slangman guide to street speak~~

skill chainsaw manual

~~slavin 10th edition~~

slaves of the volcano god the cineverse cycle book 1

~~ski xp repair manual~~

~~skoda roomster manual~~

skl users manual

~~ski doo gsx gtx 380 2006 service shop manual~~

ski doo 8cylinder torque

sky eyes dissociative identity disorder from the bottom up

sky remote code for lg m2280d

skill practice 40 moles and formulas practice

ski doo snowmobile manual mxz 440

Vari Flo Valve Manual :

camera360 to partner with nokia and the lumia 925 windows phone - Jul 02 2022

web nov 29 2018 camera360 has announced a partnership with nokia that will have the camera app pre installed on the nokia lumia 925 sold in china

nokia 500 full phone specifications gsmarena com - Jun 13 2023

web nokia 500 symbian smartphone announced aug 2011 features 3.2 display 5 mp primary camera 1110 mah battery 2 gb storage 256 mb ram

camera360 for nokia 5233 uqowyxelof s diary - Mar 30 2022

web feb 16 2018 camera360 for nokia 5233 uqowyxelof s blog subscribe uqowyxelof s diary 2018 02 16 camera360 for nokia 5233

camera 360 for nokia 500 tvl parisbytrain com - Dec 07 2022

web camera 360 for nokia 500 digital cameras prices in pakistan islamabad lahore nokia n8 wikipedia mirrorless vs dslr mirrorless camera buyer s guide cell phone amp tablet accessories verizon wireless customer support nokia phones mobile devices help support microsoft com best ultra wideangle zoom lenses what digital camera 874

camera 360 for nokia 500 pdf pdf voto uneal edu - Apr 11 2023

web camera 360 for nokia 500 pdf reviewing camera 360 for nokia 500 pdf unlocking the spellbinding force of linguistics in a fast paced world fueled by information and interconnectivity the spellbinding force of linguistics has

nokia 500 specs phonearena - Aug 03 2022

web the nokia 500 is marketed as an entry level smartphone despite the 1ghz processor that is ticking under its hood it features a 3.2 inch capacitive touchscreen with a resolution of 360 by 640 pixels and a 5 megapixel camera with no flash is located on the device s back

camera 360 for nokia 500 uniport edu - Nov 06 2022

web jul 26 2023 camera 360 for nokia 500 2 10 downloaded from uniport edu ng on july 26 2023 by guest programs who are or will be on executive positions academic researchers may find it is interesting to understand strategy from the view of the three elements the new view provides a novel insight into strategy and promotes several research directions in

camera360fornokia500 copy direct we ridewell - Jan 28 2022

web camera360fornokia500 1 camera360fornokia500 mindful kids micro fuel cells scrutiny 8 love virtually every seventh wave big data computing and communications

[nokia 500 full specifications reviews productz](#) - Jul 14 2023

web oct 24 2011 nokia 500 smartphone here you can check nokia 500 latest price camera battery ram storage memory

other specifications and features online nokia 500 comparison review and rating

[nokia ozo 360 camera explained in 60 seconds nokiablog](#) - Sep 04 2022

web apr 11 2023 nokia ozo 360 camera explained in 60 seconds marin 11 04 2023 other gadgets 2 comments here s a bit of nokia s recent past but nicely covered in a minute long video by phone repair guru he somehow got himself a nokia ozo or nokia s entry into the 360 video market which later collapsed thanks to much cheaper portable

[camera 360 nokia 500 free pdf books 139 162 58 18](#) - Oct 05 2022

web free camera 360 nokia 500 pdf you can download and read online pdf file book camera 360 nokia 500 only if you are registered here download and read online camera 360 nokia 500 pdf book file easily for everyone or every device and also you can download or readonline all file pdf book that related with camera 360 nokia 500 book

[haivision and nokia ozo help you deliver amazing 360 degree](#) - May 12 2023

web today companies like nokia are changing the way we produce 360 degree vr experiences with cameras like the nokia ozo this camera captures 360 degree video as well as 360 360 surround sound which creates a completely immersive experience

[nokia s ozo vr rig shoots and edits pro quality immersive 360](#) - Dec 27 2021

web 3 59m subscribers 76k views 6 years ago the nokia ozo costs more than 45 000 when you include peripheral devices but for video creators and filmmakers looking to make high quality 360 degree

camera360 for windows 10 cnet download - Apr 30 2022

web camera360 photo application and service allows you to easily manage growing photos in the computer new ui design is the benchmark for windows 10 applications meanwhile latest pictures of cloud

[camera 360 for nokia 500 whichissed visionaustralia org](#) - Feb 09 2023

web aug 18 2023 camera 360 for nokia 500 digital cameras prices in pakistan islamabad lahore best wi fi cameras 2016

what digital camera digital camera reviews canon cameras steve s digicams mirrorless vs dslr mirrorless camera buyer s guide nokia wikipedia nokia 6 general discussion android phones topic mobile articles on engadget

camera 360 for nokia 500 pdf uniport edu - Mar 10 2023

web jul 12 2023 search hundreds times for their chosen readings like this camera 360 for nokia 500 but end up in harmful downloads rather than enjoying a good book with a cup of tea in the afternoon instead they juggled with some harmful bugs inside their laptop camera 360 for nokia 500 is available in our digital library an online access to it is set as

[camera 360 for nokia 500 reserve lasd org](#) - Jan 08 2023

web aug 1 2023 camera 360 for nokia 500 nokia phones nokia phones best wi fi cameras 2016 what digital camera best ultra wideangle zoom lenses what digital camera jual smartphone terlengkap harga handphone murah terbaru mobile devices help support microsoft com smartphones amp cell phones compare our best t mobile

nokia 500 preview first look 360 degree view design and - Aug 15 2023

web nokia 500 360 degree spin the nokia 500 is a reasonably compact phone at 111 3 x 53 8 as long as the nokia 700 isn't around

textgenomics com - Jun 01 2022

web textgenomics com

camera360 selfie photo editor with funny sticker for pc - Feb 26 2022

web camera360 is a popular camera app which has something for everyone for all age groups camera360 is not just a camera app but also comes with inbuilt photo editing features camera360 has a sleek and modern ui interface you can take a picture first and edit it later or pick a photo from your gallery and start editing it

how to marry the rich the rich will marry someone why not youtube - Feb 04 2022

web how to marry the rich the rich will marry someone why not you ginie sayles study notes ms linda afrofemininemuse 764 subscribers subscribe 1 6k views 7 months ago do you desire to

how to meet and marry a billionaire today - Jun 20 2023

web jul 2 2007 behavior how to meet and marry a billionaire are you looking to fall for someone tall dark but most importantly very wealthy marlys harris money magazine senior editor explains what it

marryrich reddit - Mar 17 2023

web so you want to marry rich you're in the right place a community that's mostly nice with a little bit of spice the rich have to marry someone why not you 3 we prefer love with money how to marry rich how to marry a rich

how to marry the rich amazon co uk - Aug 10 2022

web details containing practical advice on how to secure a lasting relationship while leading a life of luxury this book examines the psychology of relationships detailing the attitudes and approaches needed for meeting the rich and establishing a relationship that could lead to marriage print length 254 pages language

how to marry someone who is rich psychology today - May 19 2023

web jan 8 2014 the odds of marrying a rich person are much better if you go about it properly than that of winning a lottery and yet patients rarely ask me what they need to do to marry someone who is

how to marry the rich the rich will marry someone why - Apr 18 2023

web nov 9 2009 now the world's one and only marry rich consultant reveals her secrets in a detailed step by step plan for meeting and marrying money it's unique it's outrageous and it works stop dreaming about a life of luxury and love do what it takes to achieve the life you desire

how to marry the rich by ginie sayles goodreads - Dec 14 2022

web jan 1 1991 ginie sayles 4 08 25 ratings3 reviews now the world s one and only marry rich consultant reveals her secrets in a detailed step by step plan for meeting and marrying money

how to marry the rich the rich will marry someone why not - Jan 15 2023

web how to marry the rich the rich will marry someone why not you tm ginie sayles sayles ginie amazon com tr kitap

how to marry the rich people like us episode 3 youtube - Jul 09 2022

web mar 30 2009 can upper class behavior be taught check out this tutorial see more at bit ly classinamericaauthor and motivational speaker ginie sayles grew up poo

how to marry the rich ginie polo sayles archive org - May 07 2022

web oct 18 2011 how to marry the rich by ginie polo sayles publication date 1991 publisher gemar publications collection inlibrary printdisabled internetarchivebooks contributor internet archive language english access restricted item true

adddate 2011 10 18 15 05 21 boxid ia145009 camera canon eos 5d mark ii

the rich will marry someone why not you how to marry the rich - Mar 05 2022

web why choose between love and money you can have both remember the rich must marry someone so why not you ginie is married to reed sayles reed was born int

romantic finance when to marry millionaires for financial - Feb 16 2023

web jun 30 2023 for some the goal of marrying rich may be based on the idea that financial worries can cause problems within a marriage for others marrying into money may be attractive due to lifestyle that may be afforded with greater financial resources

how to marry the rich the rich will marry someone why not - Apr 06 2022

web the marry rich career pursued me i never pursued it i was asked to give seminars on the subject and to write a book about it once i accepted i gave information that can truly help people and made it fun with my red money dress and reed s green money tie which the press loved and our publicity shot in wedding attire with money in my

how to marry the rich worldcat org - Nov 13 2022

web how to marry the rich author ginie polo sayles summary containing practical advice on how to secure a lasting relationship while leading a life of luxury this book examines the psychology of relationships detailing the attitudes and approaches needed for meeting the rich and establishing a relationship that could lead to marriage

how to marry the rich amazon com - Oct 12 2022

web jun 1 1992 an expert on marrying the wealthy offers the aspiring kept woman or man advice on where to meet a rich person how to get noticed by one and ultimately how to parlay this meeting into a profitable trip to the altar original book recommendations author interviews editors picks and more read it now

[how to marry the rich by ginie polo sayles open library](#) - Jan 03 2022

web jun 1 1992 april 29 2008 created by an anonymous user imported from amazon com record how to marry the rich by ginie polo sayles june 1 1992 berkley edition in english

how to marry into a rich family wikihow life - Sep 11 2022

web oct 10 2022 1 move to an area that is filled with rich people but also has plenty of fish 2 be mindful of your grooming while rich may or may not marry another rich person he she will definitely want to marry a really attractive person especially if he she is not rich 3 be an awesome flirt 4 have a sexy personality 5

how to marry the rich for both men and women by ginie sayles - Jun 08 2022

web aug 18 2022 the rich will marry someone why not you how to marry the rich for both men and women by ginie sayles identifier ark ark 13960 s2mm13swstz ocr tesseract 5 2 0 1 gc42a ocr autonomous true ocr detected lang en ocr detected lang conf 1 0000 ocr detected script latin fraktur ocr detected script conf 0 9955 0 0038

how to marry the rich by ginie sayles - Jul 21 2023

web ginie sayles best selling author of how to marry the rich reveals the secrets of finding love and happiness with the rich ginie is the expert s expert on the rich and has been sought out for consultations by the rich and famous for 30 years

12 ways to marry a millionaire wikihow - Aug 22 2023

web aug 9 2023 a lot of people feel the same way and there s a simple solution find someone wealthy and marry rich in this article we ll walk you through meeting a millionaire connecting with a millionaire and forming a good relationship so you can hopefully land a big ring on your finger

[der letzte wunsch the witcher prequel 1 audible audiolibro](#) - Dec 11 2021

rezension der letzte wunsch the witcher 1 von andrzej - Jan 12 2022

[the witcher prequel hörbuch reihe audible de](#) - Sep 19 2022

web suchergebnis auf amazon de für witcher letzte wunsch zum inhaltsinhalt wechseln de lieferung an kassel 34117 melde dich an um deinen standort zu aktualisieren alle

der letzte wunsch the witcher prequel 1 amazon de - Jul 30 2023

web der hexer geralt von riva verdient sein geld mit kämpfen gegen ungeheuer aller art Über einen mangel an aufträgen kann er sich nicht beklagen denn es der letzte wunsch

[der letzte wunsch the witcher prequel 1 usa fre01 fibertest](#) - Nov 09 2021

der letzte wunsch the witcher prequel 1 - Feb 22 2023

web find helpful customer reviews and review ratings for der letzte wunsch the witcher prequel 1 at amazon com read honest and unbiased product reviews from our users

[amazon de kundenrezensionen der letzte wunsch the witcher](#) - Mar 14 2022

web amazon com der letzte wunsch the witcher prequel 1 edición audio audible andrzej sapkowski oliver siebeck audible studios libros audibles y originales

the witcher prequel audiobooks audible com - Jan 24 2023

web jul 13 2017 der hexer geralt von riva verdient sein geld mit kämpfen gegen ungeheuer aller art Über einen mangel an aufträgen kann er sich nicht beklagen denn es gibt

der letzte wunsch the witcher prequel 1 audio download - Jul 18 2022

web finden sie hilfreiche kundenrezensionen und rezensionsbewertungen für der letzte wunsch the witcher prequel 1 auf amazon de lesen sie ehrliche und

der letzte wunsch the witcher prequel 1 last fm - May 16 2022

web der letzte wunsch the witcher prequel 1 der hexer geralt von riva verdient sein geld mit kämpfen gegen ungeheuer aller art Über einen mangel an aufträgen kann er sich

[der letzte wunsch the witcher prequel 1 audible](#) - Nov 21 2022

web der hexer den anfang macht der auftrag könig foltests auftrag seine inzestiöse tochter die des nachts in einem abgelegenen gemäuer bzw in der benachbarten

amazon de kundenrezensionen der letzte wunsch the witcher - Apr 14 2022

web heute stelle ich euch den beginn eines hier auf booktube völlig unterrepräsentierten fantasy zyklus vor den ersten band der witcher saga ja genau der wite

amazon co uk customer reviews der letzte wunsch the - Dec 23 2022

web der letzte wunsch the witcher prequel 1 von andrzej sapkowski gesprochen von oliver siebeck spieldauer 12 std und 9 min ungekürztes

der letzte wunsch the witcher prequel 1 andrzej sapkowski - May 28 2023

web der letzte wunsch the witcher prequel 1 by andrzej sapkowski narrated by oliver siebeck length 12 hrs and 9 mins

der letzte wunsch the witcher prequel 1 lovelybooks - Jun 28 2023

web der letzte wunsch the witcher prequel 1 finden sie alle bücher von andrzej sapkowski bei der büchersuchmaschine eurobuch com können sie antiquarische und

[amazon de kundenrezensionen der letzte wunsch the witcher](#) - Mar 26 2023

web der letzte wunsch the witcher prequel 1 by andrzej sapkowski narrated by oliver siebeck length 12 hrs and 9 mins unabridged

der letzte wunsch the witcher prequel 1 goodreads - Aug 31 2023

web der letzte wunsch andrzej sapkowski oliver siebeck narrator 4 14 326 864 ratings 22 019 reviews der hexer geralt von riva verdient sein geld mit kämpfen gegen

der letzte wunsch by andrzej sapkowski audiobook - Apr 26 2023

web finde hilfreiche kundenrezensionen und rezensionsbewertungen für der letzte wunsch the witcher prequel 1 auf amazon de lese ehrliche und unvoreingenommene

suchergebnis auf amazon de für witcher letzte wunsch - Jun 16 2022

web finde hilfreiche kundenrezensionen und rezensionsbewertungen für der letzte wunsch the witcher prequel 1 auf amazon de lese ehrliche und unvoreingenommene

der letzte wunsch the witcher prequel 1 cangrik - Feb 10 2022

web der letzte wunsch the witcher prequel 1 viimeinen toivomus the witcher illustrated das kleinere Übel witcher the v 4 tempo do desprezo capa witcheren the

der letzte wunsch the witcher prequel 1 livres audio audible - Aug 19 2022

web höre kostenlos andrzej sapkowski der letzte wunsch the witcher prequel 1 entdecke mehr musik konzerte videos und bilder mit dem größten onlinekatalog auf

der letzte wunsch the witcher prequel 1 apple books - Oct 21 2022

web der letzte wunsch the witcher prequel 1 audio download andrzej sapkowski oliver siebeck audible studios amazon com au books