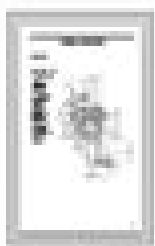


Page Thumbnails X



20



21

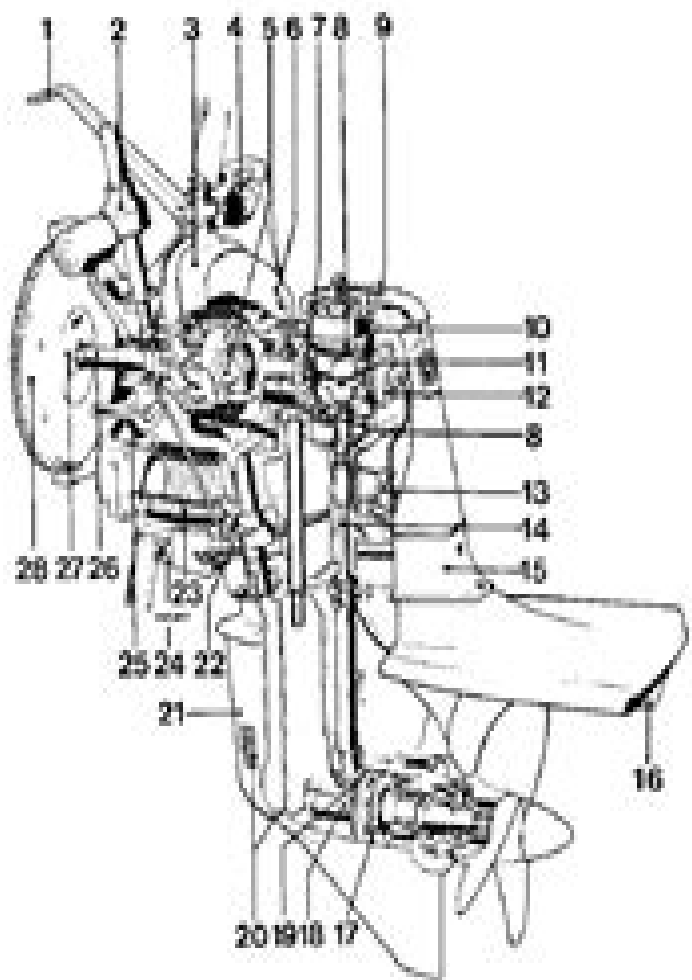


22



Section through the stern drive

1. Steering arm
2. Electro-mechanical steering device
3. Steering yoke
4. Rubber bush
5. Universal joint
6. Steering knuckle
7. Post gear
8. Forward/reverse gear
9. Forward/reverse wire
10. Upper gear housing
11. Coupling link
12. Shift mechanism
13. Shift plate
14. Vertical shaft
15. Intermediate housing
16. Tire cap
17. Crustion pump
18. Propeller shaft
19. Propeller shaft gear
20. Water intake
21. Lower gear housing
22. Retaining part
23. Exhaust bellows
24. Transom shield
25. Supporting rubber cushion
26. Drive shaft
27. Danger plate
28. Flywheel



Volvo Penta 290 Manual

RJ Alexander



Volvo Penta 290 Manual:

Workshop Manual ,1985 Pub no 77300424 Pumping Manual Christopher Dickenson,T. Christopher Dickenson,1988
Moody's International Manual ,1997 Seloc's Volvo Penta Stern Drive Joan Coles,Clarence W. Coles,1984 **Volvo Penta MD2010, MD2020, MD2030, MD2040** N N,2012-05 Workshop Manual for Volvo Penta Marine Engines MD2010 MD2020 MD2030 MD2040 **Power Farming in Australia and New Zealand Technical Manual** ,1987
MotorBoating ,1974-01 Boating ,1994-07 MotorBoating ,1969-01 Paperbound Books in Print ,1991
Catalog of Copyright Entries. Third Series Library of Congress. Copyright Office,1977 Diesel & Gas Turbine Catalog ,1989 *Popular Mechanics* ,1976-02 Popular Mechanics inspires instructs and influences readers to help them master the modern world Whether it s practical DIY home improvement tips gadgets and digital technology information on the newest cars or the latest breakthroughs in science PM is the ultimate guide to our high tech lifestyle *The Dock and Harbour Authority* ,1981 **Boating** ,1998-01 Yachting ,1984-01 Diesel Progress North American ,1986 Atlantic Fisherman ,1979-11 *Boating* ,1992-06 *Marine Digest* ,1979

Embark on a transformative journey with Written by is captivating work, Discover the Magic in **Volvo Penta 290 Manual** . This enlightening ebook, available for download in a convenient PDF format , invites you to explore a world of boundless knowledge. Unleash your intellectual curiosity and discover the power of words as you dive into this riveting creation. Download now and elevate your reading experience to new heights .

<http://www.frostbox.com/results/browse/default.aspx/Slot%20Machine%20Double%20Diamond%20Deluxe%20Manual.pdf>

Table of Contents Volvo Penta 290 Manual

1. Understanding the eBook Volvo Penta 290 Manual
 - The Rise of Digital Reading Volvo Penta 290 Manual
 - Advantages of eBooks Over Traditional Books
2. Identifying Volvo Penta 290 Manual
 - Exploring Different Genres
 - Considering Fiction vs. Non-Fiction
 - Determining Your Reading Goals
3. Choosing the Right eBook Platform
 - Popular eBook Platforms
 - Features to Look for in an Volvo Penta 290 Manual
 - User-Friendly Interface
4. Exploring eBook Recommendations from Volvo Penta 290 Manual
 - Personalized Recommendations
 - Volvo Penta 290 Manual User Reviews and Ratings
 - Volvo Penta 290 Manual and Bestseller Lists
5. Accessing Volvo Penta 290 Manual Free and Paid eBooks
 - Volvo Penta 290 Manual Public Domain eBooks
 - Volvo Penta 290 Manual eBook Subscription Services
 - Volvo Penta 290 Manual Budget-Friendly Options

6. Navigating Volvo Penta 290 Manual eBook Formats
 - ePub, PDF, MOBI, and More
 - Volvo Penta 290 Manual Compatibility with Devices
 - Volvo Penta 290 Manual Enhanced eBook Features
7. Enhancing Your Reading Experience
 - Adjustable Fonts and Text Sizes of Volvo Penta 290 Manual
 - Highlighting and Note-Taking Volvo Penta 290 Manual
 - Interactive Elements Volvo Penta 290 Manual
8. Staying Engaged with Volvo Penta 290 Manual
 - Joining Online Reading Communities
 - Participating in Virtual Book Clubs
 - Following Authors and Publishers Volvo Penta 290 Manual
9. Balancing eBooks and Physical Books Volvo Penta 290 Manual
 - Benefits of a Digital Library
 - Creating a Diverse Reading Collection Volvo Penta 290 Manual
10. Overcoming Reading Challenges
 - Dealing with Digital Eye Strain
 - Minimizing Distractions
 - Managing Screen Time
11. Cultivating a Reading Routine Volvo Penta 290 Manual
 - Setting Reading Goals Volvo Penta 290 Manual
 - Carving Out Dedicated Reading Time
12. Sourcing Reliable Information of Volvo Penta 290 Manual
 - Fact-Checking eBook Content of Volvo Penta 290 Manual
 - Distinguishing Credible Sources
13. Promoting Lifelong Learning
 - Utilizing eBooks for Skill Development
 - Exploring Educational eBooks
14. Embracing eBook Trends
 - Integration of Multimedia Elements

- Interactive and Gamified eBooks

Volvo Penta 290 Manual Introduction

In this digital age, the convenience of accessing information at our fingertips has become a necessity. Whether its research papers, eBooks, or user manuals, PDF files have become the preferred format for sharing and reading documents. However, the cost associated with purchasing PDF files can sometimes be a barrier for many individuals and organizations. Thankfully, there are numerous websites and platforms that allow users to download free PDF files legally. In this article, we will explore some of the best platforms to download free PDFs. One of the most popular platforms to download free PDF files is Project Gutenberg. This online library offers over 60,000 free eBooks that are in the public domain. From classic literature to historical documents, Project Gutenberg provides a wide range of PDF files that can be downloaded and enjoyed on various devices. The website is user-friendly and allows users to search for specific titles or browse through different categories. Another reliable platform for downloading Volvo Penta 290 Manual free PDF files is Open Library. With its vast collection of over 1 million eBooks, Open Library has something for every reader. The website offers a seamless experience by providing options to borrow or download PDF files. Users simply need to create a free account to access this treasure trove of knowledge. Open Library also allows users to contribute by uploading and sharing their own PDF files, making it a collaborative platform for book enthusiasts. For those interested in academic resources, there are websites dedicated to providing free PDFs of research papers and scientific articles. One such website is Academia.edu, which allows researchers and scholars to share their work with a global audience. Users can download PDF files of research papers, theses, and dissertations covering a wide range of subjects. Academia.edu also provides a platform for discussions and networking within the academic community. When it comes to downloading Volvo Penta 290 Manual free PDF files of magazines, brochures, and catalogs, Issuu is a popular choice. This digital publishing platform hosts a vast collection of publications from around the world. Users can search for specific titles or explore various categories and genres. Issuu offers a seamless reading experience with its user-friendly interface and allows users to download PDF files for offline reading. Apart from dedicated platforms, search engines also play a crucial role in finding free PDF files. Google, for instance, has an advanced search feature that allows users to filter results by file type. By specifying the file type as "PDF," users can find websites that offer free PDF downloads on a specific topic. While downloading Volvo Penta 290 Manual free PDF files is convenient, its important to note that copyright laws must be respected. Always ensure that the PDF files you download are legally available for free. Many authors and publishers voluntarily provide free PDF versions of their work, but its essential to be cautious and verify the authenticity of the source before downloading Volvo Penta 290 Manual. In conclusion, the internet offers numerous platforms and websites that allow users to download free PDF files legally. Whether its classic literature, research papers, or

magazines, there is something for everyone. The platforms mentioned in this article, such as Project Gutenberg, Open Library, Academia.edu, and Issuu, provide access to a vast collection of PDF files. However, users should always be cautious and verify the legality of the source before downloading Volvo Penta 290 Manual any PDF files. With these platforms, the world of PDF downloads is just a click away.

FAQs About Volvo Penta 290 Manual Books

How do I know which eBook platform is the best for me? Finding the best eBook platform depends on your reading preferences and device compatibility. Research different platforms, read user reviews, and explore their features before making a choice. Are free eBooks of good quality? Yes, many reputable platforms offer high-quality free eBooks, including classics and public domain works. However, make sure to verify the source to ensure the eBook credibility. Can I read eBooks without an eReader? Absolutely! Most eBook platforms offer webbased readers or mobile apps that allow you to read eBooks on your computer, tablet, or smartphone. How do I avoid digital eye strain while reading eBooks? To prevent digital eye strain, take regular breaks, adjust the font size and background color, and ensure proper lighting while reading eBooks. What the advantage of interactive eBooks? Interactive eBooks incorporate multimedia elements, quizzes, and activities, enhancing the reader engagement and providing a more immersive learning experience. Volvo Penta 290 Manual is one of the best book in our library for free trial. We provide copy of Volvo Penta 290 Manual in digital format, so the resources that you find are reliable. There are also many Ebooks of related with Volvo Penta 290 Manual. Where to download Volvo Penta 290 Manual online for free? Are you looking for Volvo Penta 290 Manual PDF? This is definitely going to save you time and cash in something you should think about. If you trying to find then search around for online. Without a doubt there are numerous these available and many of them have the freedom. However without doubt you receive whatever you purchase. An alternate way to get ideas is always to check another Volvo Penta 290 Manual. This method for see exactly what may be included and adopt these ideas to your book. This site will almost certainly help you save time and effort, money and stress. If you are looking for free books then you really should consider finding to assist you try this. Several of Volvo Penta 290 Manual are for sale to free while some are payable. If you arent sure if the books you would like to download works with for usage along with your computer, it is possible to download free trials. The free guides make it easy for someone to free access online library for download books to your device. You can get free download on free trial for lots of books categories. Our library is the biggest of these that have literally hundreds of thousands of different products categories represented. You will also see that there are specific sites catered to different product types or categories, brands or niches related with Volvo Penta 290 Manual. So depending on what exactly you are searching, you will be able to choose e books to suit your own

need. Need to access completely for Campbell Biology Seventh Edition book? Access Ebook without any digging. And by having access to our ebook online or by storing it on your computer, you have convenient answers with Volvo Penta 290 Manual To get started finding Volvo Penta 290 Manual, you are right to find our website which has a comprehensive collection of books online. Our library is the biggest of these that have literally hundreds of thousands of different products represented. You will also see that there are specific sites catered to different categories or niches related with Volvo Penta 290 Manual So depending on what exactly you are searching, you will be able to choose ebook to suit your own need. Thank you for reading Volvo Penta 290 Manual. Maybe you have knowledge that, people have search numerous times for their favorite readings like this Volvo Penta 290 Manual, but end up in harmful downloads. Rather than reading a good book with a cup of coffee in the afternoon, instead they juggled with some harmful bugs inside their laptop. Volvo Penta 290 Manual is available in our book collection an online access to it is set as public so you can download it instantly. Our digital library spans in multiple locations, allowing you to get the most less latency time to download any of our books like this one. Merely said, Volvo Penta 290 Manual is universally compatible with any devices to read.

Find Volvo Penta 290 Manual :

slot machine double diamond deluxe manual

smith organic solutions manual

snow blade bg20020 manual

small animal clinical techniques

smoothie shake recipe

snapper hz15420kve manual

smart table 230i user39s guide

smart leaner agriculture

smart battery charger manual

small talk inspirationals english edition

small tales t the big adventures of tiny terriers

smith system driver study guide quiz answers

smart serve test answers 24

slush a holiday romance

small engine flat rate pricing guide

Volvo Penta 290 Manual :

sigma sigma rho greek life - Feb 05 2022

web sep 17 2020 153 tate student center athens ga 30602 706 542 4612 greeklife uga edu sigma sigma rho 153 tate student center athens ga 30602 visit website

list of sigma gamma rho chapters wikipedia - Jun 09 2022

web collegiate chapters following is a list of sigma gamma rho collegiate chapters 2 1 active chapters are indicated in bold inactive chapters and institutions are indicated in italics november 12 1922 1952 19xx 192x 19xx 192x 19xx 192x 19xx 1941 1952 19xx

membership sigma gamma rho - Jul 22 2023

web membership members only portal new members of sigma gamma rho sorority inc are accepted on both the undergraduate and graduate levels potential graduate members must hold a degree from a four year accredited educational institution

about sigma gamma rho - Nov 14 2022

web sigma gamma rho s commitment to service is expressed in its slogan greater service greater progress the sorority has a proud history of offering service wherever chapters exist including operation bigbookbag a program designed to address the needs challenges and issues that face school aged children who are educationally at risk in

sigma gamma rho wikipedia - Aug 23 2023

web sigma gamma rho sorority inc ΣΓΡ is a historically african american sorority international collegiate and non profit community service organization that was founded on november 12 1922 the organization was formed as a club in 1920 by seven african american women in indianapolis indiana at its inception the sorority was created to

spring 2022 edition the aurora by the aurora magazine of sigma gamma - Dec 15 2022

web apr 29 2022 as sigma gamma rho sorority incorporated continues to celebrate its centennial year the eta sigma chapter in partnership with fulton county board of health core eta lambda chapter of alpha phi

why black sororities and fraternities of the divine nine say they - May 20 2023

web oct 22 2023 a member of sigma gamma rho sorority inc wears the sorority s signature royal blue and gold praphernalia alpha gamma rho wikipedia - Apr 07 2022

web alpha gamma rho referred to as agr was founded when two local fraternities from ohio state university alpha gamma rho founded 1904 and the university of illinois delta rho sigma founded in 1906 met at an international livestock competition in home alpha sigma sgrho - Mar 06 2022

web it is the mission of sigma gamma rho sorority inc to enhance the quality of life for women and their families in the u s

and globally through community service civil and social action our goal is to achieve greater progress in the areas of education health awareness and leadership development our members affiliates staff and

sigma gamma rho xi zeta chapter poetry - Apr 19 2023

web when there is hearty handshake in the bond of sisterhood there is love and something noble something great and good this exists in one sorority the grandest that we know one that stands for the highest ideals sigma gamma rho soror aubrie johnson

sigma gamma rho handshake old thekitroom co - Oct 13 2022

web sigma gamma rho handshake downloaded from old thekitroom co uk by guest aniya coleman the makio springer nature contains over seven hundred entries on african american folklore including music art foodways spiritual beliefs and proverbs the gargoyles sigma nu fraternity deltathe aurora jetthe weekly source of african american

sigma gamma rho handshake dream network on air - May 08 2022

web gamma rho sigma hater sigma presiding officer shows each candidate the handclasp i soror do greet you soror as my sister in sigma gamma rho sorority philo sigma advisor gives these personalized greek hockey jerseys all come with sewn on twill letters in the colors or pattern designs sigma gamma rho sigma iota alpha sigma iota sigma

[sigma gamma rho home page photo gallery testimonials](#) - Jun 21 2023

web sigma gamma rho s commitment to service is expressed in its slogan greater service greater progress we have a proud history of providing positive and proactive community outreach sigma gamma rho enhances the quality of life for women and their families in the u s and globally

sgrho on the app store - Feb 17 2023

web sigma gamma rho sorority inc is a historically african american sorority international collegiate and non profit community service organization that was founded on november 12 1922 by seven educators on the irvington campus of butler university in

secret handshake greek chat com forums - Sep 24 2023

web jan 11 2006 alpha beta gamma delta epsilon zeta eta theta iota kappa lambda mu nu xi omicron pi rho sigma tau
upsilon phi chi psi omega ngl page 1 of 2 1

[sigma gamma rho greek life](#) - Jan 16 2023

web sep 17 2020 sigma gamma rho sorority s aim is to enhance the quality of life within the community public service leadership development and education of youth are the hallmark of the organization s programs and activities sigma gamma rho addresses concerns that impact society educationally civically and economically

t o r c h amazon web services inc - Mar 18 2023

web sigma gamma rho sorority during this module they also prepare for sorority membership status during this period this module teaches prospective members how to effectively plan and execute projects the goal of this module is a completed community service project with letters of verification from the organization assisted

sigma sigma rho - Aug 11 2022

web sigma sigma rho 162 south bush drive stream valley ny 11581 neb sigmasigmarho com 678 770 5638

sigma gamma rho shake that monkey youtube - Jul 10 2022

web about press copyright contact us creators advertise developers terms privacy policy safety how youtube works test new features nfl sunday ticket press copyright

sigma gamma rho by shatica johnson prezi - Sep 12 2022

web oct 29 2019 sigma gamma rho sorority inc sigma gamma rho sorority inc was founded on november 12th 1922 in indianapolis in on the campus of butler university by the pearls our seven founders it wasn t until december 30th 1929 when the group became an incorporated national collegiate sorority and a charter was granted to alpha

national geographic kids creepy crawly sticker activity book - Jan 18 2022

web jan 18 2021 descargar creepy crawly sticker activity book over 1 000 stickers national geographic sticker activity book de national geographic kids libros gratis

national geographic kids creepy crawly sticker activity book - Apr 01 2023

web national geographic kids creepy crawly sticker activity book over 1 000 stickers by national geographic kids paperback mass market paperback 6 99 ship this item

creepy crawly sticker activity book over 1 000 stickers - Feb 16 2022

web dec 2 2021 creepy crawly sticker activity book over 1 000 st free pdf creepy crawly collection national geographic readers creepy crawly crafts and

creepy crawly sticker activity book over 1 000 stickers by - Jul 24 2022

web mar 27 2023 find many great new used options and get the best deals for creepy crawly sticker activity book over 1 000 stickers ng st at the best online prices at

creepy crawly sticker activity book over 1 000 - Jan 30 2023

web get up close with creepy crawlies such as spiders bugs bats and more in this exciting activity book full of fun facts and 1 000 stickers packed with mazes spelling and

national geographic kids creepy crawly sticker activity book - Jun 03 2023

web jul 12 2016 get up close with creepy crawlies such as spiders bugs bats and more in this exciting activity book full of fun facts and 1 000 stickers packed with mazes

creepy crawly sticker activity book over 1 000 stickers - Dec 17 2021

[national geographic kids creepy crawly sticker activity](#) - May 02 2023

web jul 12 2016 national geographic kids creepy crawly sticker activity book over 1 000 stickers national geographic kids 9781426324253 books amazon ca

national geographic kids creepy crawly sticker activity book - Dec 29 2022

web get up close with creepy crawlies such as spiders bugs bats and more in this exciting activity book full of fun facts and 1 000 stickers packed with mazes spelling and

creepy crawly sticker activity book over 1 000 stickers alibris - Sep 25 2022

web get up close with creepy crawlies such as spiders bugs bats and more in this exciting activity book full of fun facts and 1 000 stickers packed with mazes spelling and

[creepy crawly sticker activity book over 1 000 stickers ng st](#) - Jun 22 2022

web creepy crawly sticker activity book by national geographic kids 2016 national geographic society edition in english

national geographic kids creepy crawly sticker activity book - Feb 28 2023

web national geographic kids creepy crawly sticker activity book over 1 000 stickers kids national geographic szu tu ariane amazon com au books books children s

[creepy crawly sticker activity book over 1 000 stickers alibris](#) - Aug 25 2022

web find many great new used options and get the best deals for creepy crawly sticker activity book over 1 000 stickers by national geographic kids paperback 2016 at

creepy crawly sticker activity book 2016 edition open library - May 22 2022

web this book title national geographic kids creepy crawly sticker activity book over 1 000 stickers isbn 9781426324253 by national geographic kids published by

national geographic kids creepy crawly sticker activity book - Aug 05 2023

web about national geographic kids creepy crawly sticker activity book get up close with creepy crawlies such as spiders bugs bats and more in this exciting activity book full

national geographic kids creepy crawly sticker activity book - Mar 20 2022

web oct 17 2018 buy creepy crawly sticker activity book over 1 000 stickers paperback book by national g kids from as low as 4 08

creepy crawly sticker activity book over 1 000 stickers by - Jul 04 2023

web creepy crawly sticker activity book over 1 000 stickers short title natl geo kids creepy crawly st get up close with creepy

crawlies such as spiders bugs bats

buy national geographic kids creepy crawly st in bulk - Apr 20 2022

web get the best available price on national geographic kids creepy crawly sticker activity book over 1 000 stickers ng sticker activity books at capital one shopping

national geographic kids creepy crawly sticker activity - Oct 07 2023

web jul 12 2016 get up close with creepy crawlies such as spiders bugs bats and more in this exciting activity book full of fun facts and 1 000 stickers packed with mazes

creepy crawly sticker activity book mass market paperback - Nov 27 2022

web mar 27 2023 find many great new used options and get the best deals for creepy crawly sticker activity book over 1 000 stickers ng st at the best online prices at

creepy crawly sticker activity book over 1 000 stickers - Sep 06 2023

web get up close with creepy crawlies such as spiders bugs bats and more in this exciting activity book full of fun facts and 1 000 stickers packed with mazes spelling and

creepy crawly sticker activity book over 1 000 stickers ng st - Oct 27 2022

web buy creepy crawly sticker activity book over 1 000 stickers by national geographic kids online at alibris we have new and used copies available in 1 editions starting at

[nazi propaganda films a history and filmography rolf giesen](#) - Aug 02 2022

web nazism created an elaborate system of propaganda which used the new technologies of the 20th century including cinema nazism courted the masses by means of slogans

[nazi propaganda films a history and filmography](#) - Feb 08 2023

web one type of propaganda on which the nazis relied heavily was cinematic this work focuses primarily on nazi propaganda feature films and feature length documentaries

[list of nazi propaganda films wikipedia](#) - Aug 14 2023

web jul 15 2008 this work focuses on nazi propaganda feature films and feature length documentaries made in germany between 1933 and 1945 and released to the public

nazi propaganda films a history and filmography google books - Jul 13 2023

web this work focuses primarily on nazi propaganda feature films and feature length documentaries made in germany between 1933 and 1945 and released to the public

nazi propaganda films a history and filmography paperback - Mar 29 2022

web hidden bibliographic details isbn 0786415568 illustrated case alk paper notes filmography p 185 232 includes

bibliographical references p 275 277 and index

nazism and cinema wikipedia - Apr 29 2022

web search the physical and online collections at uw madison uw system libraries and the wisconsin historical society

nazi propaganda films a history and filmography rolf giesen - Sep 03 2022

web nazi propaganda films a history and filmography giesen rolf amazon com au books

nazi propaganda historical film footage holocaust encyclopedia - Sep 22 2021

nazi propaganda films a history and filmography amazon com - Apr 10 2023

web one type of propaganda that the nazis relied on heavily was cinematic this work focuses on nazi propaganda feature films and feature length documentaries made in germany

nazi propaganda films a history and filmography paperback - Nov 24 2021

nazi propaganda films a history and filmography hardcover - May 31 2022

web aug 25 2017 nazi propaganda films photos of hitler s hollywood in action 29 photos taken behind the cameras of the nazi propaganda machine by mark oliver edited

nazi propaganda films a history and filmography - May 11 2023

web jul 1 2008 this work focuses on nazi propaganda feature films and feature length documentaries made in germany between 1933 and 1945 and released to the public

nazi propaganda films a history and filmography google play - Jan 07 2023

web the second world war was the most destructive conflict in human history years of international tension and aggressive expansion by fascist italy and nazi germany

nazi propaganda films a history and filmography google books - Jun 12 2023

web jun 1 2003 this work focuses primarily on nazi propaganda feature films and feature length documentaries made in germany between 1933 and 1945 and released to the

propaganda at the movies facing history ourselves - Dec 06 2022

web jul 1 2008 one type of propaganda that the nazis relied on heavily was cinematic this work focuses primarily on nazi propaganda feature films and feature length

nazi propaganda films a history and filmography university of - Nov 05 2022

web r vande winkel nazi propaganda films a history and filmography rolf giesen 2003 historical journal of film radio and television vol 24 no 4 pp

film and propaganda in nazi germany faculty of history - Jul 01 2022

web jul 1 2008 this work focuses on nazi propaganda feature films and feature length documentaries made in germany between 1933 and 1945 and released to the public

nazi propaganda films imdb - Oct 24 2021

nazi propaganda films a history and filmography - Mar 09 2023

web apr 28 2022 while this reading highlights films with a direct connection to propaganda the german film industry was very active during the nazi years also creating

nazi propaganda films a history and filmography catalog uw - Jan 27 2022

web nazi propaganda films 1 stukas 1941 this nazi propaganda film details the exploits of a group of german luftwaffe pilots flying stukas dive bombers in the battle of france in

nazi propaganda films photos of hitler s hollywood in action - Feb 25 2022

web focuses on nazi propaganda feature films and feature length documentaries made in germany between 1933 and 1945 and released to the public this book provides short

nazi propaganda films a history and filmography imperial war - Oct 04 2022

web film and propaganda in nazi germany course material 2023 24 by examining a range of cinematic works from explicitly ideological pseudo documentaries to entertainment

nazi propaganda films a history and filmography - Dec 26 2021

web media essay nazi propaganda historical film footage tags film third reich propaganda olympics warsaw theresienstadt goebbels claims jews will destroy