

Crankshaft with bearings

The crankshaft is cast forged. It is carried in four main bearings. No. 2 bearing functions as thrust bearing for axial movement. Oil seal rings and bearing journals are two connecting rods. The crankshaft has oil-lub passages for lubricating it.

The intermediate bearing shafts for both the big end and main bearings are steel backed and lined with bearing metal.

Camshaft

The camshaft is manufactured of special alloy steel and is located between the two banks of cylinders, where it is supported in five steel backed ball bearings. It is driven by an outside push-rod chain. The camshaft gear is a nylon type dry gear. The camshaft gears are made of steel.

Valve lifters

The valve system is fitted with hydraulic valve lifters which are located in-line in the heads above the camshaft and are connected directly to the camshaft. See Fig. 14.

Oil is fed to all the valve lifters through galleries in the engine lubricating system. An oil cushion film forms under the lifter plunger. See Fig. 5. When the lifter presses the push-rod upward, the oil film is broken and the plunger then seats against the oil cushion. When the lifter is in the same line a damping function against cushioning occurs. At each position, a spring presses the lifter body against the cam of the camshaft and the plunger in the push-rod. The small quantity of oil which leaks out between the body and the plunger is replaced in the rising position, when the engine oil pressure opens the check valve. In this way, the valve lifters do not lose oil between the valve mechanism even during different operating

conditions and temperatures. No adjustment of the valves Push-rod has to be corrected.

The movement of the valve lifters is transferred to the rocker arms on the push-rod. The arms are made of die cast aluminum and have wear-felts at the contact surfaces for the push-rod and valve stems.

Connecting rods, pistons and piston rings

The connecting rods are made of forged forged steel. The piston pins are made of the pistons and are a press fit in the upper end of the connecting rods.

The pistons are made of aluminum alloy and each has two compression rings and an expanding oil-control ring. The top compression ring is chromium plated, the retaining the seat in the cylinder.

Lubricating system

The engine is equipped with a low-level lubricating system. Pressure for distributing the oil comes from a gear-driven pump, which is splined to the distributor shaft gear and is located in the timing gear cover. Oil is drawn from the sump through filter holes in the cover and the timing gear cover to the pump and is then conveyed under pressure to the moving parts of the engine.

The oil filter is fitted in a nipple in the pump housing and is replaceable as a complete unit. Both the oil filter and the oil pump valve are located in the timing gear cover. The 10-pore valve opens if the oil filter becomes blocked, so that oil will flow on from the sump.

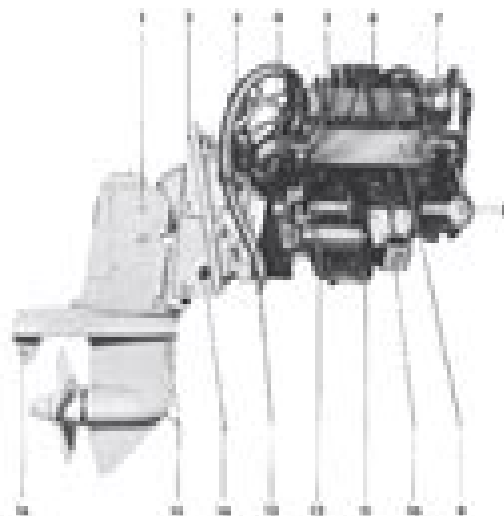


Fig. 2 AQ130 AQ130L viewed from the starboard side

- | | |
|--|--|
| 1. Cylinder head | 8. Main bearing intermediate bearing |
| 2. Thrust shaft | 9. Crankshaft housing |
| 3. Intermediate bearing water | 10. Cam |
| 4. Distributor shaft drive shaft cover | 11. Valve stem |
| 5. Thrust shaft cover | 12. Intermediate bearing |
| 6. Main bearing | 13. Substituted intermediate bearing |
| 7. Oil seal | 14. Timing gear cover |
| 8. Cam | 15. Intermediate bearing intermediate gear cover |

10

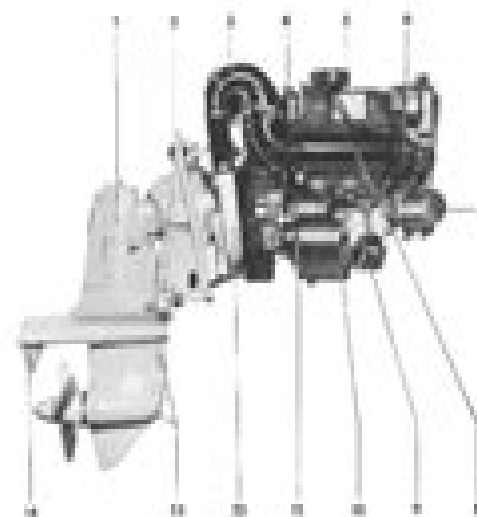


Fig. 3 AQ130 AQ130L viewed from the port side

- | | |
|--|--|
| 1. Cylinder head | 8. Main bearing intermediate bearing |
| 2. Thrust shaft | 9. Crankshaft housing |
| 3. Intermediate bearing water | 10. Cam |
| 4. Distributor shaft drive shaft cover | 11. Valve stem |
| 5. Thrust shaft cover | 12. Intermediate bearing |
| 6. Main bearing | 13. Substituted intermediate bearing |
| 7. Oil seal | 14. Timing gear cover |
| 8. Cam | 15. Intermediate bearing intermediate gear cover |

10

Volvo Ftruck Workshop Manual

J Elliott



Volvo Ftruck Workshop Manual:

Discover tales of courage and bravery in Crafted by is empowering ebook, **Volvo Ftruck Workshop Manual** . In a downloadable PDF format (*), this collection inspires and motivates. Download now to witness the indomitable spirit of those who dared to be brave.

http://www.frostbox.com/data/book-search/Download_PDFS/Thinking_Critically_John_Chaffee_Tenth_Edition.pdf

Table of Contents Volvo Ftruck Workshop Manual

1. Understanding the eBook Volvo Ftruck Workshop Manual
 - The Rise of Digital Reading Volvo Ftruck Workshop Manual
 - Advantages of eBooks Over Traditional Books
2. Identifying Volvo Ftruck Workshop Manual
 - Exploring Different Genres
 - Considering Fiction vs. Non-Fiction
 - Determining Your Reading Goals
3. Choosing the Right eBook Platform
 - Popular eBook Platforms
 - Features to Look for in an Volvo Ftruck Workshop Manual
 - User-Friendly Interface
4. Exploring eBook Recommendations from Volvo Ftruck Workshop Manual
 - Personalized Recommendations
 - Volvo Ftruck Workshop Manual User Reviews and Ratings
 - Volvo Ftruck Workshop Manual and Bestseller Lists
5. Accessing Volvo Ftruck Workshop Manual Free and Paid eBooks
 - Volvo Ftruck Workshop Manual Public Domain eBooks
 - Volvo Ftruck Workshop Manual eBook Subscription Services
 - Volvo Ftruck Workshop Manual Budget-Friendly Options
6. Navigating Volvo Ftruck Workshop Manual eBook Formats

- ePub, PDF, MOBI, and More
- Volvo Ftruck Workshop Manual Compatibility with Devices
- Volvo Ftruck Workshop Manual Enhanced eBook Features
- 7. Enhancing Your Reading Experience
 - Adjustable Fonts and Text Sizes of Volvo Ftruck Workshop Manual
 - Highlighting and Note-Taking Volvo Ftruck Workshop Manual
 - Interactive Elements Volvo Ftruck Workshop Manual
- 8. Staying Engaged with Volvo Ftruck Workshop Manual
 - Joining Online Reading Communities
 - Participating in Virtual Book Clubs
 - Following Authors and Publishers Volvo Ftruck Workshop Manual
- 9. Balancing eBooks and Physical Books Volvo Ftruck Workshop Manual
 - Benefits of a Digital Library
 - Creating a Diverse Reading Collection Volvo Ftruck Workshop Manual
- 10. Overcoming Reading Challenges
 - Dealing with Digital Eye Strain
 - Minimizing Distractions
 - Managing Screen Time
- 11. Cultivating a Reading Routine Volvo Ftruck Workshop Manual
 - Setting Reading Goals Volvo Ftruck Workshop Manual
 - Carving Out Dedicated Reading Time
- 12. Sourcing Reliable Information of Volvo Ftruck Workshop Manual
 - Fact-Checking eBook Content of Volvo Ftruck Workshop Manual
 - Distinguishing Credible Sources
- 13. Promoting Lifelong Learning
 - Utilizing eBooks for Skill Development
 - Exploring Educational eBooks
- 14. Embracing eBook Trends
 - Integration of Multimedia Elements
 - Interactive and Gamified eBooks

Volvo Ftruck Workshop Manual Introduction

In the digital age, access to information has become easier than ever before. The ability to download Volvo Ftruck Workshop Manual has revolutionized the way we consume written content. Whether you are a student looking for course material, an avid reader searching for your next favorite book, or a professional seeking research papers, the option to download Volvo Ftruck Workshop Manual has opened up a world of possibilities. Downloading Volvo Ftruck Workshop Manual provides numerous advantages over physical copies of books and documents. Firstly, it is incredibly convenient. Gone are the days of carrying around heavy textbooks or bulky folders filled with papers. With the click of a button, you can gain immediate access to valuable resources on any device. This convenience allows for efficient studying, researching, and reading on the go. Moreover, the cost-effective nature of downloading Volvo Ftruck Workshop Manual has democratized knowledge. Traditional books and academic journals can be expensive, making it difficult for individuals with limited financial resources to access information. By offering free PDF downloads, publishers and authors are enabling a wider audience to benefit from their work. This inclusivity promotes equal opportunities for learning and personal growth. There are numerous websites and platforms where individuals can download Volvo Ftruck Workshop Manual. These websites range from academic databases offering research papers and journals to online libraries with an expansive collection of books from various genres. Many authors and publishers also upload their work to specific websites, granting readers access to their content without any charge. These platforms not only provide access to existing literature but also serve as an excellent platform for undiscovered authors to share their work with the world. However, it is essential to be cautious while downloading Volvo Ftruck Workshop Manual. Some websites may offer pirated or illegally obtained copies of copyrighted material. Engaging in such activities not only violates copyright laws but also undermines the efforts of authors, publishers, and researchers. To ensure ethical downloading, it is advisable to utilize reputable websites that prioritize the legal distribution of content. When downloading Volvo Ftruck Workshop Manual, users should also consider the potential security risks associated with online platforms. Malicious actors may exploit vulnerabilities in unprotected websites to distribute malware or steal personal information. To protect themselves, individuals should ensure their devices have reliable antivirus software installed and validate the legitimacy of the websites they are downloading from. In conclusion, the ability to download Volvo Ftruck Workshop Manual has transformed the way we access information. With the convenience, cost-effectiveness, and accessibility it offers, free PDF downloads have become a popular choice for students, researchers, and book lovers worldwide. However, it is crucial to engage in ethical downloading practices and prioritize personal security when utilizing online platforms. By doing so, individuals can make the most of the vast array of free PDF resources available and embark on a journey of continuous learning and intellectual growth.

FAQs About Volvo Ftruck Workshop Manual Books

How do I know which eBook platform is the best for me? Finding the best eBook platform depends on your reading preferences and device compatibility. Research different platforms, read user reviews, and explore their features before making a choice. Are free eBooks of good quality? Yes, many reputable platforms offer high-quality free eBooks, including classics and public domain works. However, make sure to verify the source to ensure the eBook credibility. Can I read eBooks without an eReader? Absolutely! Most eBook platforms offer web-based readers or mobile apps that allow you to read eBooks on your computer, tablet, or smartphone. How do I avoid digital eye strain while reading eBooks? To prevent digital eye strain, take regular breaks, adjust the font size and background color, and ensure proper lighting while reading eBooks. What the advantage of interactive eBooks? Interactive eBooks incorporate multimedia elements, quizzes, and activities, enhancing the reader engagement and providing a more immersive learning experience. Volvo Ftruck Workshop Manual is one of the best book in our library for free trial. We provide copy of Volvo Ftruck Workshop Manual in digital format, so the resources that you find are reliable. There are also many Ebooks of related with Volvo Ftruck Workshop Manual. Where to download Volvo Ftruck Workshop Manual online for free? Are you looking for Volvo Ftruck Workshop Manual PDF? This is definitely going to save you time and cash in something you should think about.

Find Volvo Ftruck Workshop Manual :

~~thinking critically john chaffee tenth edition~~

the write type karen e peterson

thermo king spectrum user manual

thermo king sb210 manual

thermal energy review and answers

thermochemistry calculations 1 answers keys

the works of edgar allan poe volume 2

third gen camaro manual

the worlds great speeches fourth enlarged edition

they cage the animals at night questions

thermoscan user guide

therese raquin annotated english edition

they cage the animals at night chapter summary

the worst best luck english edition

thematic essay june 2013 global regents

Volvo Ftruck Workshop Manual :

l essence de la photographie laurence chabard librairie - Aug 04 2022

web sep 26 2019 résumé après l art du photographe un autre essai brillant et très illustré de bruce barnbaum sur la démarche photographique l acte photographique ne saurait se résumer à saisir son appareil cadre un sujet puis déclencher l obturateur

l essence de la photographie bruce barnbaum first Éditions - Jul 15 2023

web l essence de la photographie de bruce barnbaum auteur après l art du photographe un autre essai brillant et très illustré de bruce barnbaum sur la dém

l essence de la photographie by amazon ae - Apr 12 2023

web buy l essence de la photographie by online on amazon ae at best prices fast and free shipping free returns cash on delivery available on eligible purchase

l essence de la photographie bruce barnbaum 2412048673 - Sep 05 2022

web l essence de la photographie par bruce barnbaum aux éditions first l acte photographique ne saurait se résumer à saisir son appareil cadre un sujet puis déclencher l obturateur une superbe photo nécessite de la réflexion et d

l essence de la photographie photophiles com - Oct 06 2022

web sep 26 2019 l essence de la photographie les livres la presse et les éditions photo date jeudi 26 septembre 2019 15 26 mardi 31 décembre 2019 00 00 lieu en librairie l essence de la photographie par bruce barnbaum après

l essence de la photographie vision et créativité par bruce - May 13 2023

web nov 17 2019 l essence de la photographie est un complément au premier livre de bruce barnbaum l art du photographe cliquez ici pour lire la suite de l article l essence de la photographie vision et créativité par bruce barnbaum et ici pour

l essence de la photographie bruce barnbaum payot - Nov 07 2022

web l essence de la photographie bruce barnbaum l acte photographique ne saurait se résumer à prendre son appareil cadrer puis déclencher réussir une photo re

l essence de la photographie bruce barnbaum point de côté - Jun 02 2022

web dans ce livre abondamment illustré le photographe et auteur de renom bruce barnbaum nous fait bénéficier de son expérience issue de plus de 40 années de pratique et d enseignement de la photographie

l essence de la photographie broché bruce barnbaum fnac - Jun 14 2023

web sep 26 2019 l essence de la photographie résumé voir tout après l art du photographe un autre essai brillant et très illustré de bruce barnbaum sur la démarche photographique l acte photographique ne saurait se résumer à saisir son appareil cadre un sujet puis déclencher l obturateur

l art de la photographie capturer l essence du monde à travers l - Jan 29 2022

web jul 29 2023 l art de la photographie est une forme d expression visuelle qui capte l essence même du monde qui nous entoure À travers l objectif les photographes peuvent saisir des moments éphémères et les transformer en souvenirs intemporels chaque cliché est unique racontant une histoire évoquant des émotions et

l essence de la photographie - Mar 31 2022

web l acte photographique ne saurait se résumer à saisir son appareil cadre un sujet puis déclencher l obturateur une superbe photo nécessite de la réflexion et de la préparation une compréhension du processus photographique et de la façon dont la lumière

l essence de la photographie bruce barnbaum first grand - Dec 08 2022

web sep 26 2019 une superbe photo nécessite de la réflexion et de la préparation une compréhension du processus photographique et de la façon dont la lumière et la composition façonnent une photo l implication et l expression personnelles doi

l essence de la photographie vision et créativité decitre - Feb 10 2023

web sep 26 2019 résumé l acte photographique ne saurait se résumer à prendre son appareil cadrer puis déclencher réussir une photo requiert de la réflexion et de l anticipation une compréhension du procédé photographique et une conscience réelle de l importance de la lumière et de la composition

l essence de la photographie vision et créativité par bruce - Mar 11 2023

web nov 15 2019 l essence de la photographie est un complément au premier livre de bruce barnbaum l art du photographe paru chez first editions dans ce second ouvrage le photographe et formateur américain vous propose de travailler votre regard pour renforcer votre créativité

le portrait capturer l essence des individus l individu - Dec 28 2021

web la photographie de portrait est un art qui a évolué au fil des ans et qui continue de capturer l essence même des gens elle consiste à prendre des photos de personnes en utilisant différentes techniques et styles pour capturer leur personnalité leur émotion et

l essence de la photographie bruce barnbaum first - Jul 03 2022

web l essence de la photographie informations ean13 9782412048672 isbn 978 2 412 04867 2 Éditeur first date de publication 26 09 2019 nombre de pages 186 dimensions 25 7 x 25 4 x 1 4 cm poids 884 g langue français fiches unimarc s

identifier l'essence de la photographie de bruce barnbaum

l'essence de la photographie barnbaum bruce amazon fr livres - Aug 16 2023

web un livre très différent qui aborde la photographie sous l'angle de la philosophie photographique une très belle découverte

capturez l'essence du monde la photographie comme art - Feb 27 2022

web jun 14 2023 et les vastes étendues de nature la photographie de paysage saisit la beauté de notre monde des montagnes majestueuses aux vagues océaniques photographie de rue pour les aventuriers urbains la photographie de rue saisit l'essence de la vie quotidienne et le caractère d'une ville l'essence de la

l'essence de la photographie le journal des arts - May 01 2022

web mar 24 2015 l'essence de la photographie par christine coste le journal des arts le 24 mars 2015 650 mots en se demandant ce qu'est la photographie le centre pompidou cherche surtout à faire la démonstration d'un art aux multiples facettes paris qu'est-ce que la photographie

l'essence de la photographie vision et créativité actualité - Jan 09 2023

web sep 26 2019 l'acte photographique ne saurait se résumer à prendre son appareil cadrer puis déclencher réussir une photo requiert de la réflexion et de l'anticipation une compréhension du procédé

ernst klett verlag découvertes 2 série jaune ab classe 6 - Sep 24 2023

web start découvertes 2 découvertes 2 série jaune ab classe 6 ausgabe ab 2012 cahier d'activités mit audios und filmen 2 lernjahr isbn 978 3 12 622026 2 umfang 104 seiten 11 95 inkl mwst 20 prüfnachlass für lehrkräfte erklärung der symbole lieferbedingungen anzahl in den warenkorb auf die merkliste

découvertes 2 série jaune schulbücher portofrei bei bücher.de - May 08 2022

web découvertes 2 série jaune cahier d'activités mit audios und filmen 2 lernjahr

découvertes 2 série jaune schulbücher portofrei bei bücher.de - Jun 09 2022

web découvertes 2 série jaune cahier d'activités mit audios filmen und Übungssoftware 2 lernjahr

découvertes 2 série jaune ab classe 6 cahier d'activités mit - Feb 17 2023

web ein eingedruckter nutzerschlüssel über den alle hörtexte und videosequenzen zum schulbuch und zum cahier d'activités abgerufen werden können diese inhalte können auch in die klett lernen app geladen und dann offline am pc tablet und smartphone genutzt werden

découvertes 2 série jaune ab classe 6 cahier d'activités mit - Mar 18 2023

web découvertes 2 série jaune ab classe 6 cahier d'activités mit audios und filmen 2 lernjahr découvertes série jaune ab classe 6 ausgabe ab 2012 broschüre 4 februar 2013

découvertes 2 série jaune découvertes schulbuch thalia - Jan 16 2023

web beschreibung découvertes série jaune ab klasse 6 ausgabe ab 2012 découvertes 2 série jaune cahier d activités mit audios filmen und Übungssoftware 2 lernjahr schulbuch set mit diversen artikeln 19 95 inkl gesetzl mwst versandkostenfrei artikel liefern lassen sofort lieferbar in den warenkorb click collect

découvertes série jaune 2 cahier d activités Lehrerausgabe mit - Feb 05 2022

web d'Écouvertes s'Érie jaune 2 cahier d activités Lehrerausgabe mit lösungen eur 19 19 zu verkaufen produktart unbekannt erscheinungsjahr 2013 autor Lehrerausgabe batterien dürfen nicht 204488719427

découvertes 2 série jaune cahier d activités Lehrerausgabe - May 20 2023

web découvertes 2 série jaune ab klasse 6 cahier d activités mit audios und filmen 2 lernjahr découvertes série jaune ab klasse 6 ausgabe ab 2012

découvertes 2 ausgabe 1 oder 2 fremdsprache cahier d activités mit - Oct 13 2022

web découvertes 2 ausgabe 1 oder 2 fremdsprache cahier d activités mit mediensammlung vokabeltrainer und Übungssoftware 2 lernjahr

découvertes 2 série jaune cahier d activités mit audios filmen - Aug 11 2022

web découvertes 2 série jaune cahier d activités mit audios filmen und Übungssoftware 2 lernjahr amazon fr livres ernst klett verlag découvertes série jaune ausgabe ab 2012 - Apr 07 2022

web cahier d activités mit audios videos und vokabeltrainer ausgabe für lehrende 1 lernjahr isbn 978 3 12 622017 0

découvertes 2 série jaune ab klasse 6 digitaler - Sep 12 2022

web das découvertes 2 série jaune ebook die digitale fassung des gedruckten schülerbuchs die kompletten materialien aus dem lehrerband methodisch didaktischer teil kopiervorlagen als pdf und editierbar differenzierungshinweise und kopiervorlagen préparation en 3 minutes das blätterbare arbeitsheft cahier d activités mit lösungen

vielfältige lernhilfen découvertes für bessere noten série jaune - Nov 14 2022

web découvertes série jaune cahier d activités mit mp3 cd und video dvd abwechslungsreiche und klar verständliche Übungen die selbstständig bearbeitet werden können die mp3 cd ent hält die hörtexte aus dem schülerbuch und dem cahier die zusätzliche dvd enthält passende filmsequenzen band 1 9 95 978 3 12 622016 9

ernst klett verlag découvertes 2 série jaune ab klasse 6 - Jun 21 2023

web série jaune ab klasse 6 ausgabe ab 2012 Übungssoftware mit vokabeltrainer einzellizenz 2 lernjahr isbn 978 3 12 622156 6 12 50 inkl mwst erklärung der symbole bei diesen titeln erhalten lehrkräfte 20 prüfnachlass das angebot gilt nur für titel die grundsätzlich zur einföhrung geeignet sind

ernst klett verlag lösungen produktart produktübersicht - Dec 15 2022

web découvertes 2 ausgabe 1 oder 2 fremdsprache ab 2020 cahier d activités mit mediensammlung vokabeltrainer und Übungssoftware ausgabe für lehrende 2 lernjahr isbn 978 3 12 624027 7 weitere informationen

ernst klett verlag découvertes série jaune ausgabe ab 2012 - Jul 22 2023

web cahier d activités mit audios videos und vokabeltrainer ausgabe für lehrende 2 lernjahr solange vorrat reicht

ernst klett verlag découvertes ausgabe ab 2020 lehrwerk - Aug 23 2023

web cahier d activités mit mediensammlung vokabeltrainer und Übungssoftware ausgabe für lehrende 2 lernjahr

ernst klett verlag découvertes 2 série jaune ab klasse 6 - Apr 19 2023

web produktinformationen mit découvertes band 2 klasse 7 erreichen die schülerinnen und schüler die kompetenzstufe a2 des gemeinsamen europäischen referenzrahmens der band 2 besteht aus 7 obligatorischen unités 3 dazwischen geschalteten fakultativen plateauphasen einem fakultativen en plus teil einem grammatischen anhang

decouvertes 2 serie jaune cahier d activites mit book - Mar 06 2022

web decouvertes 2 serie jaune cahier d activites mit decouvertes 2 serie jaune cahier d activites mit 2 downloaded from ead3 archivists org on 2020 01 12 by guest introduction provides a thought provoking examination of the principal new approaches that have emerged in the discipline during the 1990s part i then makes clear the complexity

découvertes 2 série jaune découvertes schulbuch 978 3 - Jul 10 2022

web ausgabe ab 2012 série jaune 2 2 lernjahr découvertes 2 série jaune cahier d activités mit audios und filmen 2 lernjahr schulbuch set mit diversen artikeln 11 95 inkl gesetzl

claudia andujar morgen darf nicht gestern sein by susanne - Sep 03 2022

web claudia andujar morgen darf nicht gestern sein by susanne gaensheimer claudia andujar morgen darf nicht gestern sein by susanne gaensheimer claudia andujar

morgen darf nicht gestern sein amazonas - Jun 12 2023

web jun 16 2020 das ist meine art zu versuchen die welt zu verstehen mango film de fondation cartier webseite zu claudia andujar goethe institut morgen darf

claudia andujar morgen darf nicht gestern sein taschenbuch - May 11 2023

web claudia andujar morgen darf nicht gestern sein susanne gaensheimer amazon de bücher

claudia andujar morgen darf nicht gestern sein by susanne - Oct 24 2021

web claudia andujar morgen darf nicht gestern sein by susanne gaensheimer march 24th 2020 claudia andujar men darf nicht gestern sein mmk museum für moderne kunst

claudia andujar morgen darf nicht gestern sein by susanne - Sep 22 2021

web claudia andujar morgen darf nicht gestern sein by susanne gaensheimer claudia andujar morgen darf nicht gestern sein

by susanne gaensheimer die kamera als

claudia andujar morgen darf nicht gestern sein download only - Apr 29 2022

web right here we have countless ebook claudia andujar morgen darf nicht gestern sein and collections to check out we additionally give variant types and after that type of the

claudia andujar morgen darf nicht gestern sein - Mar 29 2022

web we find the money for claudia andujar morgen darf nicht gestern sein and numerous books collections from fictions to scientific research in any way along with them is this

claudia andujar morgen darf nicht gestern sein artlog - Mar 09 2023

web international bekannt wurde die in der schweiz geborene brasilianische fotografin claudia andujar durch ihre künstlerische auseinandersetzung mit der lebensrealität der

claudia andujar morgen darf nicht gestern sein 2022 - May 31 2022

web claudia andujar morgen darf nicht gestern sein downloaded from app oaklandlibrary org by guest everett bartlett marcados dcj junior theory

mf magazin frankfurt - Feb 08 2023

web noch bis zum 26 juni 2017 läuft im museum für modern kunst in frankfurt die ausstellung claudia andujar morgen darf nicht gestern sein sie gibt mit werken von den

claudia andujar morgen darf nicht gestern sein kunst mag - Nov 05 2022

web may 25 2017 erstmals in europa gibt die kunstaussstellung morgen darf nicht gestern sein im mmk 1 des mmk museum für moderne kunst frankfurt einen umfangreichen

claudia andujar morgen darf nicht gestern sein by susanne - Jul 01 2022

web claudia andujar morgen darf nicht gestern sein by susanne gaensheimer claudia andujar morgen darf nicht gestern sein by susanne gaensheimer claudia andujar

lezen claudia andujar morgen darf nicht gestern sein pdf 2018 - Feb 25 2022

web buch der tag ist in die nacht verliebt ein heinrich heine roman pdf online buch die 8 wochen cholesterinkur so senken sie ihren blutfettspiegel auf natürliche weise pdf

morgen darf nicht gestern sein goethe institut - Jul 13 2023

web foto claudia andujar mmk frankfurt ihr schaffen hat nicht allein historische schärfe andujars bilder blieben unverständlich würden sie nicht vor dem hintergrund der

claudia andujar morgen darf nicht gestern sein by susanne - Aug 02 2022

web claudia andujar morgen darf nicht gestern sein by susanne gaensheimer warum men nicht gestern sein darf frankfurt

gesprächsabend über die foto serie marcados von

morgen darf nicht gestern sein features reports and interviews - Aug 14 2023

web photo claudia andujar mmk frankfurt andujar has aesthetically memorialized her adopted brazilian homeland with a camera her strongest weapon against forgetting

güldür güldür show videoları yeter ve feridun un son ayrılışı - Jan 27 2022

web 7 den 70 e herkesi ekran başına kilitleyen ekranların komedi klasiği güldür güldür show hız kesmeden devam ediyor ali sunal in moderasyonuyla ekrana gelen güldür güldür

claudia andujar morgen darf nicht gestern sein by susanne - Nov 24 2021

web may 25th 2020 ausstellung claudia andujar men darf nicht gestern sein claudia andujar mmk frankfurt ihr schaffen hat nicht allein historische schärfe andujars bilder

claudia andujar morgen darf nicht gestern sein by susanne - Dec 26 2021

web claudia andujar morgen darf nicht gestern sein by susanne gaensheimer claudia andujar men darf nicht gestern sein buch march 19th 2019 claudia andujar men

monika andujar morgen darf nicht gestern sein - Jan 07 2023

web noch bis zum 26 juni 2017 läuft im museum für modern kunst in frankfurt die ausstellung claudia andujar morgen darf nicht gestern sein sie gibt mit werken von den

claudia andujar morgen darf nicht gestern sein - Oct 04 2022

web 12 exklusive kino premiere drei winter regie michael koch berlin film matter non matter anti matter vergangene ausstellungen als digitale erfahrungen karlsruhe

claudia andujar morgen darf nicht gestern sein profifoto - Apr 10 2023

web feb 20 2017 einen umfangreichen einblick in das fotografische Œuvre von claudia andujar 1931 in neuchâtel schweiz gibt die ausstellung morgen darf nicht gestern

morgen darf nicht gestern sein ab 9 49 - Dec 06 2022

web claudia andujar morgen darf nicht gestern sein christof kerber 2017 isbn 9783735603289 morgen darf nicht gestern sein katalog zur ausstellung im