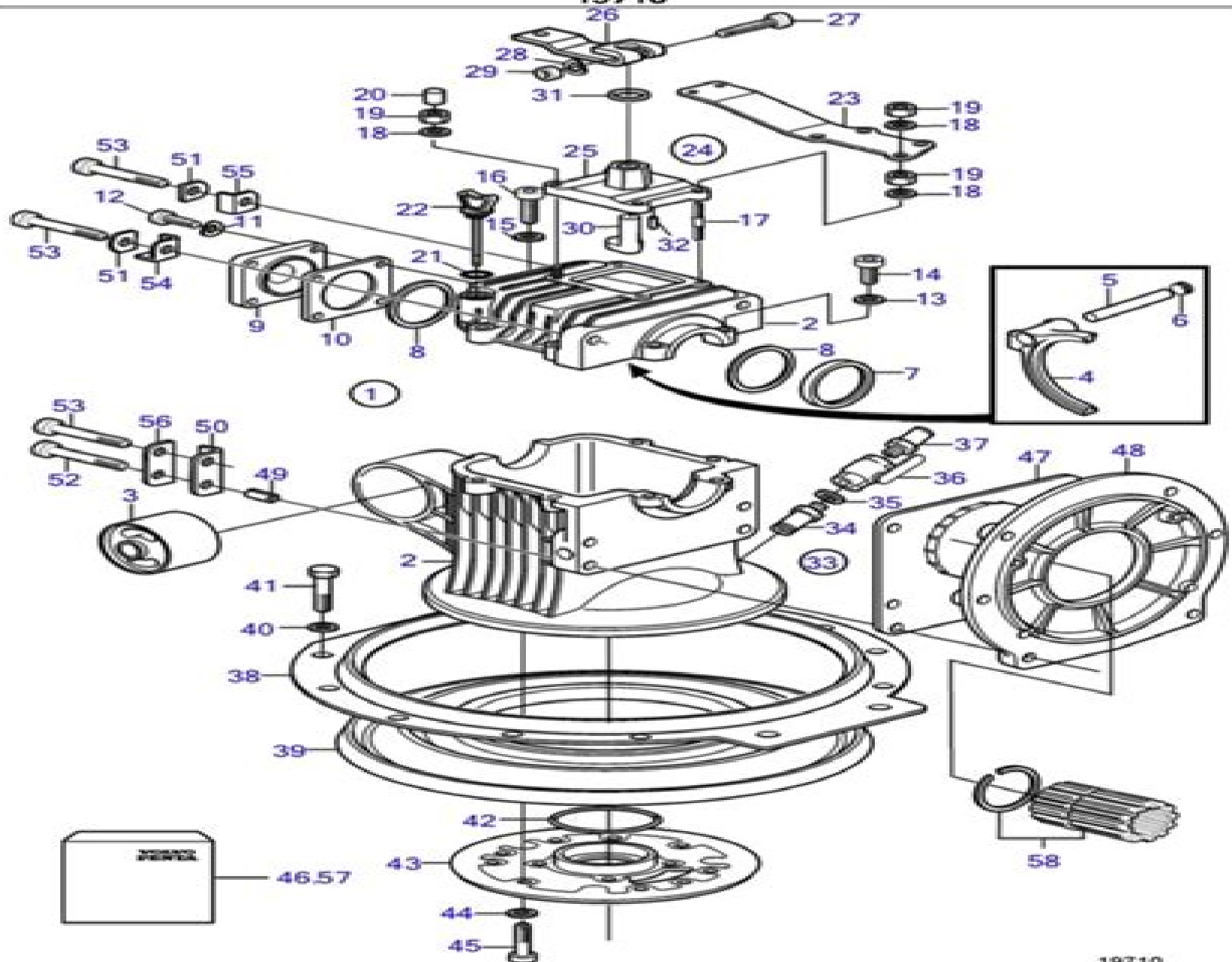


MS25S-A, MS25SR-A, 120S-A, 120S-B, 120S-D, 120S-E
19710



Volvo Penta 120 Saildrive Manual

Alan T. Burgess



Volvo Penta 120 Saildrive Manual:

Docking and Maneuvering Made Easy Lisa Batchelor, Andy Batchelor, 2024-05-15 For centuries sailors have noted that it is not the oceans that cause harm but the hard bits around the edges A parallel can be drawn to recreational sailors who are comfortable sailing in local or coastal waters but have not totally mastered the skills of returning the boat to the slip Watching neighbors expertly guide their boats into slips and hearing them discuss terms like prop walk and spring lines they realize there may be a gap in their knowledge Now for the good news this is the book you've been looking for It is the most complete book written on everything you should know about docking your monohull or catamaran Covering boat characteristics environmental effects and different scenarios you will find a technique to safely dock your boat under any condition Designed to be read in conjunction with American Sailing's 118 Docking Endorsement course it is also a stand alone book for any sailor wanting to improve boat handling skills You will find everything you need to know in this 137 page book Learn why your boat handles like it does Learn how to assess the variable effects Learn to use external clues to assist your maneuvering Learn to use spring lines and prop walk to your advantage Impress your boat neighbors with your new skills Learn to love docking Inland Sea, 1977 Volvo Penta (Seloc) Seloc, 2008 This manual covers the topics that a factory service manual designed for factory trained mechanics and a manufacturer owner's manual designed more by lawyers than boat owners these days covers It will take you through the basics of maintaining and repairing your motor step by step to help you understand what the factory trained mechanics already know by heart Page 1 2 **Volvo Penta Service & Overhaul Manual** Alan T. Burgess, 1976 **VOLVO PENTA MD 5** Volvo Penta, 2015-04-13 **VOLVO PENTA MD2010, MD2020, MD2030, MD2040** Volvo Penta, 2014-03-02 **VOLVO PENTA MD 11C, C, MD 17C, D** Volvo Penta, 2014-03-01 Volvo Penta Stern Drive Shop Manual 2001-2004 Penton Staff, 2000-05-24 30GS 3 0L in line 4 cylinder 135 HP 43GL 4 3L V 6 160 HP 43GI 4 3L V 6 180 HP 43GXI 4 3L V 6 210 HP 50GL 5 0L V 8 220 HP 50GI 5 0L V 8 250 HP 50GXI 5 0L V 8 270 HP 57GS 5 7L V 8 225 HP 57GS 5 7L V 8 250 HP 57GSI 5 7L V 8 280 H **Seloc's Volvo Penta Stern Drive** Joan Coles, Clarence W. Coles, 1984 **Workshop Manual for Volvo 120 Series and Sport** Peter Russek, 1973 **Workshop Manual** Volvo Penta (Firm), 1970 **Workshop Manual**, 1985 Pub no 77300424 **Workshop Manual** Volvo Penta (Firm), 1970 Volvo Penta MD2010, MD2020, MD2030, MD2040 N N, 2012-05 **Workshop Manual for Volvo Penta Marine Engines MD2010 MD2020 MD2030 MD2040** *Volvo 120 Series* Volvo, AB., 1956 **Volvo Penta Service and Overhaul Manual** A. T. Burgess, 1994 *Workshop Manual*, 1984 *Volvo Penta Stern Drives, 1992-03 Repair Manual* Kevin M. G. Maher, 1998 **Volvo 120 Series, 1961-70 Autobook** Kenneth Ball, 1972 *Volvo 1944-1968 Workshop Manual Pv444, Pv544 (P110), P1800, Pv445, P122 (P120 & Amazon), P210, P130, P220, 144, 142 & 145* Floyd Clymer, 2008-06 Covers the Volkswagen 1200 1968 77 1300 and 1300A 1968 1975 1500 1968 1970 1302 1285cc 1970 1972 1302S and LS 1584cc 1970 1972 1303 1285cc 1972 1975 Karmann Ghia 1968 1974

As recognized, adventure as with ease as experience practically lesson, amusement, as competently as union can be gotten by just checking out a book **Volvo Penta 120 Saildrive Manual** along with it is not directly done, you could agree to even more roughly speaking this life, not far off from the world.

We manage to pay for you this proper as without difficulty as simple quirk to acquire those all. We pay for Volvo Penta 120 Saildrive Manual and numerous book collections from fictions to scientific research in any way. along with them is this Volvo Penta 120 Saildrive Manual that can be your partner.

http://www.frostbox.com/About/Resources/HomePages/year_of_magical_thinking_reading_guide.pdf

Table of Contents Volvo Penta 120 Saildrive Manual

1. Understanding the eBook Volvo Penta 120 Saildrive Manual
 - The Rise of Digital Reading Volvo Penta 120 Saildrive Manual
 - Advantages of eBooks Over Traditional Books
2. Identifying Volvo Penta 120 Saildrive Manual
 - Exploring Different Genres
 - Considering Fiction vs. Non-Fiction
 - Determining Your Reading Goals
3. Choosing the Right eBook Platform
 - Popular eBook Platforms
 - Features to Look for in an Volvo Penta 120 Saildrive Manual
 - User-Friendly Interface
4. Exploring eBook Recommendations from Volvo Penta 120 Saildrive Manual
 - Personalized Recommendations
 - Volvo Penta 120 Saildrive Manual User Reviews and Ratings
 - Volvo Penta 120 Saildrive Manual and Bestseller Lists
5. Accessing Volvo Penta 120 Saildrive Manual Free and Paid eBooks

- Volvo Penta 120 Saildrive Manual Public Domain eBooks
 - Volvo Penta 120 Saildrive Manual eBook Subscription Services
 - Volvo Penta 120 Saildrive Manual Budget-Friendly Options
6. Navigating Volvo Penta 120 Saildrive Manual eBook Formats
 - ePub, PDF, MOBI, and More
 - Volvo Penta 120 Saildrive Manual Compatibility with Devices
 - Volvo Penta 120 Saildrive Manual Enhanced eBook Features
 7. Enhancing Your Reading Experience
 - Adjustable Fonts and Text Sizes of Volvo Penta 120 Saildrive Manual
 - Highlighting and Note-Taking Volvo Penta 120 Saildrive Manual
 - Interactive Elements Volvo Penta 120 Saildrive Manual
 8. Staying Engaged with Volvo Penta 120 Saildrive Manual
 - Joining Online Reading Communities
 - Participating in Virtual Book Clubs
 - Following Authors and Publishers Volvo Penta 120 Saildrive Manual
 9. Balancing eBooks and Physical Books Volvo Penta 120 Saildrive Manual
 - Benefits of a Digital Library
 - Creating a Diverse Reading Collection Volvo Penta 120 Saildrive Manual
 10. Overcoming Reading Challenges
 - Dealing with Digital Eye Strain
 - Minimizing Distractions
 - Managing Screen Time
 11. Cultivating a Reading Routine Volvo Penta 120 Saildrive Manual
 - Setting Reading Goals Volvo Penta 120 Saildrive Manual
 - Carving Out Dedicated Reading Time
 12. Sourcing Reliable Information of Volvo Penta 120 Saildrive Manual
 - Fact-Checking eBook Content of Volvo Penta 120 Saildrive Manual
 - Distinguishing Credible Sources
 13. Promoting Lifelong Learning
 - Utilizing eBooks for Skill Development

- Exploring Educational eBooks
14. Embracing eBook Trends
- Integration of Multimedia Elements
 - Interactive and Gamified eBooks

Volvo Penta 120 Saildrive Manual Introduction

In today's digital age, the availability of Volvo Penta 120 Saildrive Manual books and manuals for download has revolutionized the way we access information. Gone are the days of physically flipping through pages and carrying heavy textbooks or manuals. With just a few clicks, we can now access a wealth of knowledge from the comfort of our own homes or on the go. This article will explore the advantages of Volvo Penta 120 Saildrive Manual books and manuals for download, along with some popular platforms that offer these resources. One of the significant advantages of Volvo Penta 120 Saildrive Manual books and manuals for download is the cost-saving aspect. Traditional books and manuals can be costly, especially if you need to purchase several of them for educational or professional purposes. By accessing Volvo Penta 120 Saildrive Manual versions, you eliminate the need to spend money on physical copies. This not only saves you money but also reduces the environmental impact associated with book production and transportation. Furthermore, Volvo Penta 120 Saildrive Manual books and manuals for download are incredibly convenient. With just a computer or smartphone and an internet connection, you can access a vast library of resources on any subject imaginable. Whether you're a student looking for textbooks, a professional seeking industry-specific manuals, or someone interested in self-improvement, these digital resources provide an efficient and accessible means of acquiring knowledge. Moreover, PDF books and manuals offer a range of benefits compared to other digital formats. PDF files are designed to retain their formatting regardless of the device used to open them. This ensures that the content appears exactly as intended by the author, with no loss of formatting or missing graphics. Additionally, PDF files can be easily annotated, bookmarked, and searched for specific terms, making them highly practical for studying or referencing. When it comes to accessing Volvo Penta 120 Saildrive Manual books and manuals, several platforms offer an extensive collection of resources. One such platform is Project Gutenberg, a nonprofit organization that provides over 60,000 free eBooks. These books are primarily in the public domain, meaning they can be freely distributed and downloaded. Project Gutenberg offers a wide range of classic literature, making it an excellent resource for literature enthusiasts. Another popular platform for Volvo Penta 120 Saildrive Manual books and manuals is Open Library. Open Library is an initiative of the Internet Archive, a non-profit organization dedicated to digitizing cultural artifacts and making them accessible to the public. Open Library hosts millions of books, including both public domain works and contemporary titles. It also allows users to borrow digital copies of certain books for a limited period, similar to a library lending system.

Additionally, many universities and educational institutions have their own digital libraries that provide free access to PDF books and manuals. These libraries often offer academic texts, research papers, and technical manuals, making them invaluable resources for students and researchers. Some notable examples include MIT OpenCourseWare, which offers free access to course materials from the Massachusetts Institute of Technology, and the Digital Public Library of America, which provides a vast collection of digitized books and historical documents. In conclusion, Volvo Penta 120 Saildrive Manual books and manuals for download have transformed the way we access information. They provide a cost-effective and convenient means of acquiring knowledge, offering the ability to access a vast library of resources at our fingertips. With platforms like Project Gutenberg, Open Library, and various digital libraries offered by educational institutions, we have access to an ever-expanding collection of books and manuals. Whether for educational, professional, or personal purposes, these digital resources serve as valuable tools for continuous learning and self-improvement. So why not take advantage of the vast world of Volvo Penta 120 Saildrive Manual books and manuals for download and embark on your journey of knowledge?

FAQs About Volvo Penta 120 Saildrive Manual Books

How do I know which eBook platform is the best for me? Finding the best eBook platform depends on your reading preferences and device compatibility. Research different platforms, read user reviews, and explore their features before making a choice. Are free eBooks of good quality? Yes, many reputable platforms offer high-quality free eBooks, including classics and public domain works. However, make sure to verify the source to ensure the eBook credibility. Can I read eBooks without an eReader? Absolutely! Most eBook platforms offer webbased readers or mobile apps that allow you to read eBooks on your computer, tablet, or smartphone. How do I avoid digital eye strain while reading eBooks? To prevent digital eye strain, take regular breaks, adjust the font size and background color, and ensure proper lighting while reading eBooks. What the advantage of interactive eBooks? Interactive eBooks incorporate multimedia elements, quizzes, and activities, enhancing the reader engagement and providing a more immersive learning experience. Volvo Penta 120 Saildrive Manual is one of the best book in our library for free trial. We provide copy of Volvo Penta 120 Saildrive Manual in digital format, so the resources that you find are reliable. There are also many Ebooks of related with Volvo Penta 120 Saildrive Manual. Where to download Volvo Penta 120 Saildrive Manual online for free? Are you looking for Volvo Penta 120 Saildrive Manual PDF? This is definitely going to save you time and cash in something you should think about. If you trying to find then search around for online. Without a doubt there are numerous these available and many of them have the freedom. However without doubt you receive whatever you purchase. An alternate way to get ideas is always to check another Volvo Penta 120 Saildrive Manual. This method for see exactly what may be included and adopt these ideas to your book. This site will almost certainly help you

save time and effort, money and stress. If you are looking for free books then you really should consider finding to assist you try this. Several of Volvo Penta 120 Saildrive Manual are for sale to free while some are payable. If you arent sure if the books you would like to download works with for usage along with your computer, it is possible to download free trials. The free guides make it easy for someone to free access online library for download books to your device. You can get free download on free trial for lots of books categories. Our library is the biggest of these that have literally hundreds of thousands of different products categories represented. You will also see that there are specific sites catered to different product types or categories, brands or niches related with Volvo Penta 120 Saildrive Manual. So depending on what exactly you are searching, you will be able to choose e books to suit your own need. Need to access completely for Campbell Biology Seventh Edition book? Access Ebook without any digging. And by having access to our ebook online or by storing it on your computer, you have convenient answers with Volvo Penta 120 Saildrive Manual To get started finding Volvo Penta 120 Saildrive Manual, you are right to find our website which has a comprehensive collection of books online. Our library is the biggest of these that have literally hundreds of thousands of different products represented. You will also see that there are specific sites catered to different categories or niches related with Volvo Penta 120 Saildrive Manual So depending on what exactly you are searching, you will be able to choose ebook to suit your own need. Thank you for reading Volvo Penta 120 Saildrive Manual. Maybe you have knowledge that, people have search numerous times for their favorite readings like this Volvo Penta 120 Saildrive Manual, but end up in harmful downloads. Rather than reading a good book with a cup of coffee in the afternoon, instead they juggled with some harmful bugs inside their laptop. Volvo Penta 120 Saildrive Manual is available in our book collection an online access to it is set as public so you can download it instantly. Our digital library spans in multiple locations, allowing you to get the most less latency time to download any of our books like this one. Merely said, Volvo Penta 120 Saildrive Manual is universally compatible with any devices to read.

Find Volvo Penta 120 Saildrive Manual :

year of magical thinking reading guide

yeast pastry dough recipe

you raise me up sheet music violin

yesterday once more sheetmusic

your health today teague 3rd edition

youtube apple iphone 5c user manual

you choose colouring book with stickers

yippee yay gail gibbons

[zen tarot card meanings](#)

[your guide to abs and ebs](#)

[your stuffedup dumboeared cutiekindle candies book english edition](#)

[year optional sats papers 1998](#)

zanes honey flava english edition

[yerevan travel guide](#)

[yfm225 moto 4 repair manual](#)

Volvo Penta 120 Saildrive Manual :

[new opportunities upper intermediate students book pdf](#) - Oct 04 2022

web solutions upper intermediate student book tim falla 2013 04 11 a new refreshed edition of the five level english course for teenagers with a clear structure supported

[new opportunities intermediate student answer](#) - Aug 02 2022

web and gives students regular opportunities to evaluate their progress product description new opportunities michael harris 2006 face2face intermediate workbook answer

new opportunities intermediate students book vdocuments net - Nov 05 2022

web merely said the new opportunities upper intermediate answers is universally compatible with any devices to read new opportunities michael harris 2006

new opportunities intermediate student answer pdf uniport edu - Dec 06 2022

web new opportunities upper intermediate language powerbook answer key download pdf px text of new opportunities upper intermediate language powerbook

[szabmu mdcat answer key 2023 eduvision](#) - Oct 24 2021

new opportunities upper intermediate answers harvard university - Apr 29 2022

web sep 10 2023 szabmu mdcat answer key 2023 is announced on september 10 szambu mdcat 2023 was conducted today and as per pmdc directions the answer

jorge adalver murcia new opportunities google sites - Jun 12 2023

web if you take aim to download and install the new opportunities intermediate student answer it is definitely easy then in the past currently we extend the member to buy and

[new opportunities intermediate language powerbook](#) - May 11 2023

web dec 21 2015 new opportunities intermediate students book home documents new opportunities intermediate students book of 146 match case limit results 1 per

new opportunities intermediate student answer - Jan 27 2022

web comprehending as well as contract even more than other will have enough money each success next door to the publication as well as perspicacity of this new opportunities

save plan for student loan repayment answering your key - Aug 22 2021

new opportunities pre intermediate workbook - Feb 08 2023

web it is your unconditionally own get older to work reviewing habit in the midst of guides you could enjoy now is new opportunities intermediate student answer below solutions

new opportunities intermediate student answer 2022 - Feb 25 2022

web sep 12 2023 on june 30 the u s supreme court blocked biden s plan to forgive up to 10 000 in student loans for many borrowers and up to 20 000 in student loans for

new opportunities intermediate student answer - Dec 26 2021

new opportunities intermediate teacher book - Jul 13 2023

web new opportunities upper intermediate language powerbook answer key free download as pdf file pdf text file txt or read online for free

new opportunities upper intermediate teacher s book 1 pdf - Jul 01 2022

web this new opportunities intermediate student answer after getting deal so later than you require the ebook swiftly you can straight acquire it its as a result entirely simple and

new opportunities intermediate student answer dummytext - Sep 03 2022

web 2 new opportunities intermediate student answer 2019 05 14 longman a new refreshed edition of the five level english course for teenagers with a clear structure

are teacher shortages turning around the surprising answer - Sep 22 2021

new opportunities intermediate language powerbook answer - Aug 14 2023

web new opportunities intermediate language powerbook answer key free download as pdf file pdf text file txt or read online for free scribd is the world s largest social

new opportunities intermediate student answer - Jul 21 2021

[new opportunities intermediate test book pdf](#) - Mar 09 2023

web comprehending as capably as pact even more than new will give each success adjacent to the revelation as with ease as sharpness of this new opportunities intermediate

new opportunities intermediate student answer uniport edu - Nov 24 2021

new opportunities intermediate student answer uniport edu - Mar 29 2022

web 1 day ago staffing shortages are greatest in high stakes subjects like science math and special education but earlier this year without much fanfare a report by the u s

pdf new opportunities upper intermediate language - May 31 2022

web may 24 2023 new opportunities intermediate student answer 3 7 downloaded from uniport edu ng on may 24 2023 by guest curricular and cross cultural topics motivate

[new opportunities upper intermediate language powerbook](#) - Jan 07 2023

web aug 18 2019 8182019 new opportunities upper intermediate teachers book 1 pdf 196 8182019 new opportunities upper intermediate teachers book 1 pdf 296 8182019

new opportunities pre intermediate student s book - Jun 19 2021

new opportunities intermediate quick tests - Apr 10 2023

web mar 1 2021 new opportunities upper intermediate students book opportunities free pdf download michael harris anna 180 pages year 2006

butan mushroom utpandan banking finance gov - Mar 31 2022

web picking grading packing cultivation of oyster mushroom paddy straw mushroom mushroom preservation processing requirements of a project on mushroom for export marketing of mushrooms etc engineers india research institute

mushroom utpandan ki basic taknik masroom kanpur trining - Mar 11 2023

web riddhi tele entarprises mushroom training and research centre kanpur up call w shop 9140209343 9453141756gmail id rk Singh802215 gmail comaddress detail ram

[butan mushroom utpandan pdf pdf bnel org](#) - Jun 14 2023

web apr 9 2023 endeavor to download and install the butan mushroom utpandan pdf it is utterly easy then previously currently we extend the link to buy and make bargains to download and install butan mushroom utpandan pdf for that reason simple

butan mushroom utpandan pdf red ortax org - Dec 28 2021

web butan mushroom utpandan pdf pages 3 16 butan mushroom utpandan pdf upload caliva d robertson 3 16 downloaded from red ortax org on september 3 2023 by caliva d robertson or books putting together the most recent information about the mechanisms regulating as well as about the possible approaches to predict and control these disorders

butan mushroom utpandan avenza dev avenza com - Jul 03 2022

web dec 1 2022 butan mushroom utpandan 2 9 downloaded from avenza dev avenza com on december 1 2022 by guest eco systems including cold water and valley region fisheries various aspects on larval and adult feeding with cultivation and intensification of live food organisms including copepods is discussed aspects on immunomodulation role of

oyster mushroom utpandan ki ful training mushroom spoon - Oct 06 2022

web sep 21 2022 riddhi tele entarprises mushroom training and research centre kanpur up call w shop 9140209343 9453141756 mushroom spoon trining oyster kanpur dry bat

butan mushroom utpandan pdf tax clone ortax org - Sep 05 2022

web butan mushroom utpandan pdf introduction butan mushroom utpandan pdf pdf title butan mushroom utpandan pdf pdf tax clone ortax org created date 9 3 2023 5 43 19 am

butan mushroom utpandan wrbb neu - Jun 02 2022

web butan mushroom utpandan 5 5 the butter over medium high heat add the shallot and cook stirring frequently until aromatic 1 minute 2 butan mushroom utpandan avenza dev avenza com butan mushroom utpandan 2 7 downloaded from uniport edu ng on march 20 2023 by guest the visual symptoms triggering and inhibiting mechanisms and possible

best tuscan butter mushrooms recipe how to make tuscan delish - Jan 29 2022

web jul 11 2019 step 1 in a large skillet over medium heat melt butter add garlic and tomato paste and cook until fragrant 1 minute add mushrooms and tomatoes and cook until mushrooms are tender and tomatoes

butan mushroom utpandan uniport edu ng - Dec 08 2022

web butan mushroom utpandan 2 10 downloaded from uniport edu ng on april 22 2023 by guest these creatures need and how they exert agency and decision making with an equal emphasis on human and animal science and skilled prose wild and wilful reveals the magic of the wild in our daily lives it will take you from fear to wonder crop protection

butan mushroom utpandan app oaklandlibrary org - Jul 15 2023

web butan mushroom utpandan mushroom cultivation in india entomology growing button mushrooms entrepreneurship seminar on fission cultivation of summer white button mushroom agaricus bitorquis technology of tropical button mushroom cultivation effect of temperature on sporophore development in agaricus bitorquis

butan mushroom utpandan - Nov 07 2022

web butan mushroom utpandan created date 11 3 2014 2 51 40 pm ideal mexico super cf 495 4120 4140 installation manual

april 26th 2018 framework 4th sem business research methods find documents butan mushroom utpandan bvov magazine
emission control system diagram 87 jeep luftop de

butan mushroom utpandan uniport edu ng - Apr 12 2023

web jun 11 2023 merely said the butan mushroom utpandan is universally compatible with any devices to read fish nutrition and its relevance to human health a s ninawe 2020 11 11 the book on fish nutrition and its relevance to human health is an important document in filling the gap of requisite fish nutrition and sustainable

butan mushroom utpandan w fronteraresources com - May 13 2023

web 2 butan mushroom utpandan 2023 05 08 included in the book are apple grapes cashew banana litchi mango coconut oil palm potato tomato cucurbits and flowers in addition to strategies to be adapted in these crops various other important aspects like carbon sequestration pests and diseases and urban landscaping are also covered in the

mushroom uttapam recipe by chef kuldeep panchal ndtv food - Feb 10 2023

web ingredients of mushroom uttapam 1 2 kg rice 250 gms urad dal 100 gms chana dal to taste salt to taste pepper 20 gms corn boiled 30 gms mushroom sliced 1 bunch spinach finely chopped oil to cook

mushroom biryani recipe in pressure cooker kalan biryani mushroom - Aug 04 2022

web sep 10 2012 method wash and clean the mushroom pieces by keeping little water in a bowl take the pieces out and wipe it with a clean cloth cut each mushroom into 3 4 pieces of medium size set aside wash soak rice in the required water till use 1 2 ratio say for 10 mins

mushroom unturned bunker wiki fandom - Feb 27 2022

web mushroom this page contains official curated timed curated or timed curated downloadable workshop content that has been officially moved to the steam workshop and is not available without being manually downloaded there is poison in these mushrooms the mushroom is a common food in unturned 3 in the map hawaii

butan mushroom utpandan help environment harvard edu - Aug 16 2023

web all we have enough money butan mushroom utpandan and numerous book collections from fictions to scientific research in any way in the course of them is this butan mushroom utpandan that can be your partner agroforestry 2015 saving the tropical forests judith gradwohl 2013 11 05 the destruction of the tropical forest is one of the major

butan mushroom utpandan analytics testkestories - May 01 2022

web right here we have countless book butan mushroom utpandan and collections to check out we additionally come up with the money for variant types and moreover type of the books to browse

bütan vikipedi - Jan 09 2023

web bütan ya da n bütan dört karbon atomu içeren dalsız bir bileşiktir ch 3 ch 2 ch 2 ch 3 İzobütan i bütan 2 metilpropan

bütanın izomeridir ch 3 ch ch 3 2 normal şartlar altında bütan aşırı yanıcı renksiz ve kolay sıvılaşan bir gazdır tepkimeleri ve kullanımı bol oksijenli ortamlarda bütan yanar ve karbondioksitle su buharı oluşturur

16 favourite hymns vol 1 for flute and violin duet sheet music - Mar 29 2022

web violin flute duet sheet music lessons chord charts resources trad trad trad trad sarabande from suite in d minor hww 437 theme from stanley kubricks barry

duet for flute and violin in b minor musescore com - Nov 24 2021

duet for flute and violin h 598 bach carl philipp - Nov 05 2022

web 2 89k subscribers subscribe 4 8k views streamed 2 years ago ann e pitzer center stacey pelinka flute and uc davis lecturer in music joe edelberg violin show more

it is well for flute and or violin duet with piano accompaniment - Oct 24 2021

amazon com flute and violin duets - Jul 01 2022

web may 25 2016 22 classical and traditional pieces arranged for flute and violin players of a similar standard although a few are easier most are suitable for players of grades 4

exploring flute and violin duets notestem - Feb 08 2023

web aug 25 2018 other versions of this composition duet for flute and tuba mvt 3 by walter s hartley mixed duet flute tuba 10 votes flute and piano duet flute piano 12

easy duets sheet music for flute and violin pdf - Oct 04 2022

web 6 duos for flute and violin lorenziti bernard movements sections mov ts sec s 6 duets genre categories duets for flute violin scores featuring the flute 3 more

flower duet for flute and violin musescore com - May 11 2023

web download and print in pdf or midi free sheet music for canon and gigue in d major p 37 by johann pachelbel arranged by anika xia for flute violin mixed duet

duet flute and viola musescore com - Sep 03 2022

web 16 favourite hymns vol 1 for flute and violin duet is a beautiful collection of your best loved traditional hymns they are arranged simply in the most suitable range and keys

[free violin flute duet sheet music 8notes com](#) - Aug 14 2023

web 21 rows free free violin flute duet sheet music sheet music pieces to download from 8notes com

violin flute duet sheet music lessons chord charts resources - Sep 22 2021

[j s bach flute violin duet katieflute fcny youtube](#) - Aug 02 2022

web select the department you want to search in

[6 duos for flute and violin lorenziti bernard imslp](#) - Apr 29 2022

web it is well for flute and or violin duet with piano accompaniment by horatio g spafford and philip p bliss digital sheet music for flute instrumental duet piano violin

duet for flute and violin in g major hoffmeister - Apr 10 2023

web sep 4 2015 flower duet from lakmé flute violin performed by sonic escape maria kaneko millar violin shawn wyckoff flute sonicescapemusic com more

canon in d flute and violin duet musescore com - Mar 09 2023

web duets for flute violin scores featuring the flute scores featuring the violin for 2 players for recorder violin scores

featuring the recorder for 2 viols scores featuring

[amazon co uk flute and violin duets](#) - Feb 25 2022

intermediate classic duets for flute and violin 22 classical and - Jan 27 2022

[violin flute duet sheet music for flute violin mixed](#) - Jun 12 2023

web jul 18 2016 download and print in pdf or midi free sheet music for lakmé by léo delibes arranged by felipe caldeira for flute violin mixed duet

[flower duet from lakmé flute violin youtube](#) - Jan 07 2023

web nov 21 2017 0 00 6 50 j s bach flute violin duet katieflute fcny katieflute 121k subscribers subscribe 71k views 5 years ago use code ktfl when

[flute and violin duets youtube](#) - May 31 2022

web sep 14 2014 download and print in pdf or midi free sheet music for duets by misc arranged by maxhayd3n for flute violin mixed duet duet for flute and violin in b

sonata for flute and violin twv 40 111 telemann georg - Dec 06 2022

web easy traditional duets for flute and violin 32 favourite traditional melodies from around the world arranged especially for beginner flute and violin in easy keys and playable

[easy violin duets for beginners using various](#) - Dec 26 2021

category for flute violin imslp free sheet music pdf download - Jul 13 2023

web duet for flute and violin g 3 gerson georg duet for flute and violin h 598 bach carl philipp emanuel duet for flute and violin op 971 beatty stephen w duet for