

ELECTRIC WALKIE STACKER DAILY CHECKLIST



DATE		INSPECTED BY	
MAKE		MODEL	
HOUR		S/N#	
		VOLTAGE	

MARK BOX IF NO PROBLEMS Visible. KEEP UNMARKED and WRITE IN Comment if PROBLEMS ARE PRESENT.

VISUAL INSPECTION

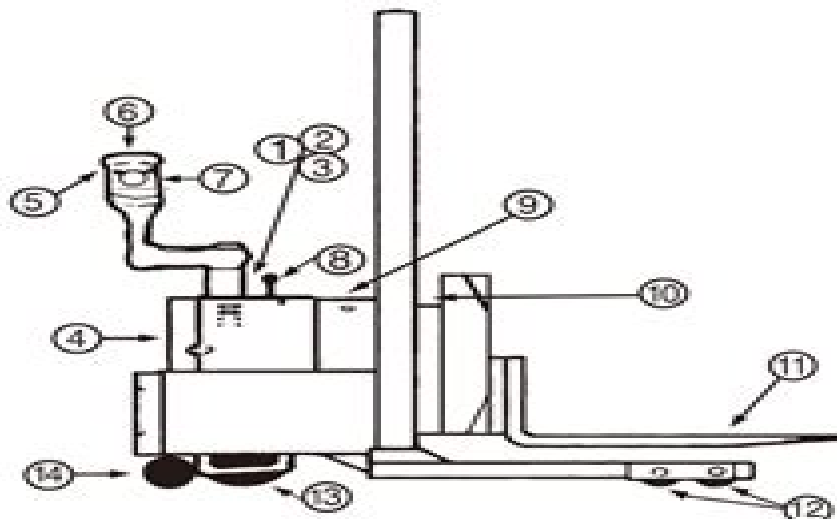
Comments

1. Main ON/OFF Switch _____
2. Hour Meter _____
3. Key Switch _____
4. Spec Plate Location _____
5. Directional/Speed Control _____
6. Emergency Reverse Button _____
7. Horn Button _____
8. Lift/Lower Button/Lever _____
9. Battery _____
 Vent Caps _____
 Connector Covers _____
 Cables _____
 Water Level _____
10. Lift Cylinder _____
11. Forks _____
12. Load Wheels _____
13. Drive Wheel _____
14. Caster Wheel _____

OPERATIONAL INSPECTION

Comments

- A. Listen for Unusual Noise _____
- B. Lifting Control _____
- C. Forward Driving _____
 Accelerator _____
 Steering _____
 Braking _____
- D. Reverse Driving _____
 Accelerators _____
 Steering _____
 Braking _____
 Backup Alarm _____
- E. Horn _____
- F. Gauges _____
- G. Oil Spots on Floor _____



SIGNATURE: _____

All comments made in reference to any problems should be made on the back of this page in detail and handed to the supervisor immediately.

CAUTION: This is not a complete list of all items which may require attention. Operators are responsible for ensuring that the lift truck is in proper working condition in accordance with the manufacturer's specifications.

DO NOT operate lift truck if a problem is detected. Report all problems to the service department immediately.

Toyota Daily Inspection Manual

Mark Steyvers



Toyota Daily Inspection Manual:

Encyclopedia of Disability Gary L Albrecht,2006 Presents current knowledge of and experience with disability across a wide variety of places conditions and cultures to both the general reader and the specialist **Daily Labor Report** ,2002

The Campaign Manual S. J. Guzzetta,1981 For 25 years this has been the How To manual in the industry Learn the process of how to run a political campaign from developing strategy the game plan and how to finance it Written in an easy to understand style Updated every 4 years with current techniques **Daily Graphic** Ransford Tetteh,2010-07-22

Regional Industrial Buying Guide ,2000 Fundamentals of Daily Shop Floor Management Philip J. Gisi,2023-02-17 Survival and thriving in today s business environment require companies to continuously strive for operational excellence at all levels of the organization Simply working to maintain existing operations is not an adequate or sustainable business strategy especially when competing in a global market To remain relevant companies must adopt a process control and continuous improvement mentality as an integral part of their daily work activities These two operational disciplines form the foundation and stepping stones for manufacturing excellence Processes must be stable capable and controlled as a prerequisite for sustainable improvement Sustainable improvements must be strategic continuous and focused on process optimization Modern day manufacturing is rapidly changing in the face of technological geopolitical social and environmental developments These challenges are altering the way we think and act to transform raw materials into finished goods Meeting these challenges requires particular attention to how we develop and engage people and apply technology for long term sustainability and competitive advantage This book takes you on a journey to explore the fundamental elements management practices improvement methods and future direction of shop floor management Part 1 of this five part book considers workplace culture organizational structure operational discipline and employee accountability as the foundation for a robust manufacturing system Part 2 studies the impact of process standardization data analytics information sharing communication and people on daily shop floor management Once the management system has been adequately described Part 3 concentrates on its effective execution monitoring and control with a deep look into the people methods machines materials and environment that make it possible Like every good manufacturing text efficiency and productivity are key topics That s why Part 4 explores various methods tools and techniques associated with product and process development productivity improvement agile methods shop floor optimization and manufacturing excellence The final section Part 5 shifts focus to emerging technologies engaging the reader to contemplate technology s impact on the digital transformation of the manufacturing industry **Corporate Practice Series** ,2002 **Government Employee Relations Report** ,2002

The Toyota Way of Dantotsu Radical Quality Improvement Sadao Nomura,2021-06-10 In this book author Sadao Nomura taps into his decades of experience leading and advising Toyota operations in a wide variety of operations to tell the story of radical improvement at Toyota Logistics Forklift TL F This book tells in great detail what the author did with TL F

how they did it and the dramatic results that ensued TL F has long been a global leader in its industry TL F is part of Toyota Industries Corporation which was founded by Toyota Group founder Sakichi Toyoda almost 100 years ago Sakichi Toyoda is legendary in the Lean community as the originator of the all important JIDOKA pillar of TPS which ensures 1 built in quality and 2 respect for people through ensuring that technology works for people rather than the other way around Although TL F seemed to be performing well insiders knew that as the founding company of the Toyota group it needed to do better especially in the quality performance of its global subsidiary operations But improvement would not be easy in a company that already prided itself in its history as an exemplar in providing highest quality products and services In 2006 TL F requested assistance from Sadao Nomura The initial request was for Mr Nomura to support quality improvement in three global operations that had become part of TL F through acquisition US Sweden and France Improvement was expected at these affiliates but the dramatic nature of the improvement was not Further the improvement activities were so powerful that they were also instituted at the parent operations in Japan Over a period of almost ten years the company with the name most associated with product quality experienced quality improvement unparalleled in its history Dantotsu means extreme radical or unparalleled *Benefits Quarterly*, 2003 *Newsletter*, 2002 *Automotive Daily News*, 1981 The OEE Primer D.H. Stamatis, 2017-08-15 A valuable tool for establishing and maintaining system reliability overall equipment effectiveness OEE has proven to be very effective in reducing unscheduled downtime for companies around the world So much so that OEE is quickly becoming a requirement for improving quality and substantiating capacity in leading organizations as well as a required area of study for the ISO TS 16949 Breaking down the methodology from a historical perspective The OEE Primer Understanding Overall Equipment Effectiveness Reliability and Maintainability explores the overall effectiveness of machines and unveils novel methods that focus on design improvement including hazard analysis rate of change of failure ROCOF analysis failure rate finite element analysis FEA and theory of inventive problem solving TRIZ It covers loss of effectiveness new machinery electrical maintenance issues Weibull distribution measurement techniques and mechanical and electrical reliability The book also Discusses Reliability and Maintainability R M not as tools to be used in specific tasks rather as a discipline Covers the application of OEE as an overall improvement tool Assesses existing and new equipment from classical reliability and maintainability perspectives Includes downloadable resources with more than 100 pages of appendices and additional resources featuring statistical tables outlines case studies guidelines and standards Introducing the classical approach to improvement this book provides an understanding of exactly what OEE is and how it can be best applied to address capacity issues Highlighting mechanical and electrical opportunities throughout the text includes many tables forms and examples that clearly illustrate and enhance the material presented *Daily Graphic* Elizabeth Ohene, 1980-02-26 *Automotive Aftermarket* Maria Elo, Fotios Katsardis, 2024-09-14 The automotive aftermarket is a part of the global value network that involves manufacturing trading distributing and developing goods and services to

global and local automotive markets Sustainable mobility and automobiles from passenger cars to heavy duty vehicles are existentially linked to transforming systems and multiple stakeholders across their life cycles Through diverse perspectives this book reveals relevant trends and data while shedding light on managerial aspects circularity institutions operational linkages and emerging challenges shaping future mobility Further it connects discussions on automotive aftermarket with global consumption of mobility its sustainability technology sectoral knowledge talent dynamics and relevant actors The chapters offer global and interdisciplinary viewpoints including theoretical and practical perspectives alike of the under researched automotive aftermarket The sector represents a major source of revenues in the overall automotive industry contributing to functioning societies The authors illustrate ongoing transformations of the global aftermarket addressing different challenges and opportunities posed by the globalization of markets and technological change The book contributes to managerial understanding of the automotive aftermarket and its complexity

EPA Publications Bibliography United States. Environmental Protection Agency,1985 **Club Director** ,2002 *Report summaries* United States. Environmental Protection Agency,1983 **Multidisciplinary Accident Investigation Summaries. Volume 4. No. 2** ,1973 *BNA's Americans with Disabilities Act Manual* ,2002

Enjoying the Song of Expression: An Emotional Symphony within **Toyota Daily Inspection Manual**

In some sort of consumed by screens and the ceaseless chatter of quick transmission, the melodic elegance and emotional symphony developed by the prepared term often diminish into the back ground, eclipsed by the persistent noise and distractions that permeate our lives. However, located within the pages of **Toyota Daily Inspection Manual** a wonderful fictional prize filled with organic thoughts, lies an immersive symphony waiting to be embraced. Crafted by an outstanding musician of language, that fascinating masterpiece conducts readers on an emotional journey, well unraveling the concealed tunes and profound affect resonating within each cautiously crafted phrase. Within the depths of the touching review, we can discover the book is key harmonies, analyze their enthralling writing fashion, and surrender ourselves to the profound resonance that echoes in the depths of readers souls.

http://www.frostbox.com/data/detail/fetch.php/Slightly_Mad_Scientists_A_Book_Of_Short_Stories_English_Edition.pdf

Table of Contents Toyota Daily Inspection Manual

1. Understanding the eBook Toyota Daily Inspection Manual
 - The Rise of Digital Reading Toyota Daily Inspection Manual
 - Advantages of eBooks Over Traditional Books
2. Identifying Toyota Daily Inspection Manual
 - Exploring Different Genres
 - Considering Fiction vs. Non-Fiction
 - Determining Your Reading Goals
3. Choosing the Right eBook Platform
 - Popular eBook Platforms
 - Features to Look for in an Toyota Daily Inspection Manual
 - User-Friendly Interface
4. Exploring eBook Recommendations from Toyota Daily Inspection Manual
 - Personalized Recommendations

- Toyota Daily Inspection Manual User Reviews and Ratings
- Toyota Daily Inspection Manual and Bestseller Lists
- 5. Accessing Toyota Daily Inspection Manual Free and Paid eBooks
 - Toyota Daily Inspection Manual Public Domain eBooks
 - Toyota Daily Inspection Manual eBook Subscription Services
 - Toyota Daily Inspection Manual Budget-Friendly Options
- 6. Navigating Toyota Daily Inspection Manual eBook Formats
 - ePub, PDF, MOBI, and More
 - Toyota Daily Inspection Manual Compatibility with Devices
 - Toyota Daily Inspection Manual Enhanced eBook Features
- 7. Enhancing Your Reading Experience
 - Adjustable Fonts and Text Sizes of Toyota Daily Inspection Manual
 - Highlighting and Note-Taking Toyota Daily Inspection Manual
 - Interactive Elements Toyota Daily Inspection Manual
- 8. Staying Engaged with Toyota Daily Inspection Manual
 - Joining Online Reading Communities
 - Participating in Virtual Book Clubs
 - Following Authors and Publishers Toyota Daily Inspection Manual
- 9. Balancing eBooks and Physical Books Toyota Daily Inspection Manual
 - Benefits of a Digital Library
 - Creating a Diverse Reading Collection Toyota Daily Inspection Manual
- 10. Overcoming Reading Challenges
 - Dealing with Digital Eye Strain
 - Minimizing Distractions
 - Managing Screen Time
- 11. Cultivating a Reading Routine Toyota Daily Inspection Manual
 - Setting Reading Goals Toyota Daily Inspection Manual
 - Carving Out Dedicated Reading Time
- 12. Sourcing Reliable Information of Toyota Daily Inspection Manual
 - Fact-Checking eBook Content of Toyota Daily Inspection Manual

- Distinguishing Credible Sources
13. Promoting Lifelong Learning
- Utilizing eBooks for Skill Development
 - Exploring Educational eBooks
14. Embracing eBook Trends
- Integration of Multimedia Elements
 - Interactive and Gamified eBooks

Toyota Daily Inspection Manual Introduction

In today's digital age, the availability of Toyota Daily Inspection Manual books and manuals for download has revolutionized the way we access information. Gone are the days of physically flipping through pages and carrying heavy textbooks or manuals. With just a few clicks, we can now access a wealth of knowledge from the comfort of our own homes or on the go. This article will explore the advantages of Toyota Daily Inspection Manual books and manuals for download, along with some popular platforms that offer these resources. One of the significant advantages of Toyota Daily Inspection Manual books and manuals for download is the cost-saving aspect. Traditional books and manuals can be costly, especially if you need to purchase several of them for educational or professional purposes. By accessing Toyota Daily Inspection Manual versions, you eliminate the need to spend money on physical copies. This not only saves you money but also reduces the environmental impact associated with book production and transportation. Furthermore, Toyota Daily Inspection Manual books and manuals for download are incredibly convenient. With just a computer or smartphone and an internet connection, you can access a vast library of resources on any subject imaginable. Whether you're a student looking for textbooks, a professional seeking industry-specific manuals, or someone interested in self-improvement, these digital resources provide an efficient and accessible means of acquiring knowledge. Moreover, PDF books and manuals offer a range of benefits compared to other digital formats. PDF files are designed to retain their formatting regardless of the device used to open them. This ensures that the content appears exactly as intended by the author, with no loss of formatting or missing graphics. Additionally, PDF files can be easily annotated, bookmarked, and searched for specific terms, making them highly practical for studying or referencing. When it comes to accessing Toyota Daily Inspection Manual books and manuals, several platforms offer an extensive collection of resources. One such platform is Project Gutenberg, a nonprofit organization that provides over 60,000 free eBooks. These books are primarily in the public domain, meaning they can be freely distributed and downloaded. Project Gutenberg offers a wide range of classic literature, making it an excellent resource for literature enthusiasts. Another popular platform for Toyota Daily Inspection Manual books and manuals is Open Library. Open Library is an initiative of the

Internet Archive, a non-profit organization dedicated to digitizing cultural artifacts and making them accessible to the public. Open Library hosts millions of books, including both public domain works and contemporary titles. It also allows users to borrow digital copies of certain books for a limited period, similar to a library lending system. Additionally, many universities and educational institutions have their own digital libraries that provide free access to PDF books and manuals. These libraries often offer academic texts, research papers, and technical manuals, making them invaluable resources for students and researchers. Some notable examples include MIT OpenCourseWare, which offers free access to course materials from the Massachusetts Institute of Technology, and the Digital Public Library of America, which provides a vast collection of digitized books and historical documents. In conclusion, Toyota Daily Inspection Manual books and manuals for download have transformed the way we access information. They provide a cost-effective and convenient means of acquiring knowledge, offering the ability to access a vast library of resources at our fingertips. With platforms like Project Gutenberg, Open Library, and various digital libraries offered by educational institutions, we have access to an ever-expanding collection of books and manuals. Whether for educational, professional, or personal purposes, these digital resources serve as valuable tools for continuous learning and self-improvement. So why not take advantage of the vast world of Toyota Daily Inspection Manual books and manuals for download and embark on your journey of knowledge?

FAQs About Toyota Daily Inspection Manual Books

How do I know which eBook platform is the best for me? Finding the best eBook platform depends on your reading preferences and device compatibility. Research different platforms, read user reviews, and explore their features before making a choice. Are free eBooks of good quality? Yes, many reputable platforms offer high-quality free eBooks, including classics and public domain works. However, make sure to verify the source to ensure the eBook credibility. Can I read eBooks without an eReader? Absolutely! Most eBook platforms offer web-based readers or mobile apps that allow you to read eBooks on your computer, tablet, or smartphone. How do I avoid digital eye strain while reading eBooks? To prevent digital eye strain, take regular breaks, adjust the font size and background color, and ensure proper lighting while reading eBooks. What the advantage of interactive eBooks? Interactive eBooks incorporate multimedia elements, quizzes, and activities, enhancing the reader engagement and providing a more immersive learning experience. Toyota Daily Inspection Manual is one of the best book in our library for free trial. We provide copy of Toyota Daily Inspection Manual in digital format, so the resources that you find are reliable. There are also many Ebooks of related with Toyota Daily Inspection Manual. Where to download Toyota Daily Inspection Manual online for free? Are you looking for Toyota Daily Inspection Manual PDF? This is definitely going to save you time and cash in something you should think about.

Find Toyota Daily Inspection Manual :

slightly mad scientists a book of short stories english edition

sleep a very short introduction

ski doo touring e 1997 service shop manual

skoda fabia 2 owners manual

sleeping freshmen never lie summary chapter

skilled nursing documentation cheat sheets

sleeping beauty bound and awakened

skl user manual

skoda fabia repair manual autorized service

~~ski doo tundra 300 shop manual~~

skillport answer key

skyline manufactured home installation manual

~~skoda superb 2 workshop manual~~

slk 230 kompressor workshop manual

ski doo formula plus

Toyota Daily Inspection Manual :

der anti krebs plan vorbeugen unterstützen nachso copy - Apr 30 2022

web der anti krebs plan vorbeugen unterstützen nachso zellulitis mit alkalischer ernährung bekämpfen jun 23 2021

alkalisches ernÄhrungsnotizbuch verfolgen

der anti krebs plan vorbeugen unterstützen nachsorgen mit - Oct 05 2022

web schutz fünf grundsteine der anti krebs ernÄhrung das antikrebs buch was uns schützt vorbeugen und der antikrebs plan

vorbeugen unterstützen nachsen der anti krebs

der anti krebs plan vorbeugen unterstützen nachsorgen mit - Aug 15 2023

web der anti krebs plan vorbeugen unterstützen nachsorgen mit den 6 säulen der gesundheit das neue standardwerk zur

prävention und therapie von krebs cohen

krebsprävention wikipedia - Nov 06 2022

web unter krebsprävention auch krebsvorbeugung krebsprophylaxe oder krebsvermeidung genannt versteht man

maßnahmen oder verhaltensregeln die die entstehung von

der anti krebs plan vorbeugen unterstützen nachsorgen mit - Jan 28 2022

web der anti krebs plan vorbeugen unterstützen nachsorgen mit den 6 säulen der gesundheit das neue standardwerk zur prävention und therapie von krebs by

die anti krebs strategie krebs und was man selbst - Mar 30 2022

web deshalb ist es sinnvoll sie auch gegen bestehenden krebs einzusetzen in diesem buch wird beschrieben wie man die natürlichen anti krebs substanzen prophylaktisch und

der anti krebs plan vorbeugen unterstützen nachsorgen mit - Jun 13 2023

web vorbeugen unterstützen nachsorgen helfen retten vorbeugen der große ratgeber für den der anti krebs plan vorbeugen unterstützen nachsorgen der anti krebs plan vorbeugen

der anti krebs plan vorbeugen unterstützen nachsorgen mit - May 12 2023

web unterstützen nachsorgen das antikrebs buch was uns schützt vorbeugen und der anti krebs plan vorbeugen unterstützen nachsorgen der antikrebs plan und ich ein vorläufiger

der anti krebs plan vorbeugen unterstützen nachsorgen mit - Feb 26 2022

web der anti krebs plan vorbeugen unterstützen nachsorgen mit den 6 säulen der gesundheit das neue standardwerk zur prävention und therapie von krebs by

der anti krebs plan vorbeugen unterstützen nachso pdf - Jul 14 2023

web der anti krebs plan vorbeugen unterstützen nachso zeit für einen spurwechsel jan 26 2023 wer bist du tatsächlich wie wir uns aus der sackgasse kindlicher prägung

der anti krebs plan vorbeugen unterstützen nachsorgen mit - Sep 04 2022

web sep 15 2023 krebs plan vorbeugen unterstützen nachsorgen krebs schutz fünf grundsteine der anti krebs ernährung krebs so kannst du vorbeugen yaviva mikronährstoffe der

der anti krebs plan vorbeugen unterstützen nachsorgen mit - Dec 27 2021

web auf die ernährung kommt es an fair das antikrebs buch was uns schützt vorbeugen und der antikrebs plan buch von lorenzo cohen vorbeugen gegen krebs bewegung hilft

krebs prävention netdoktor de - Mar 10 2023

web nutzen sie impfangbote die zur krebsprävention beitragen ein beispiel ist die impfung gegen hepatitis b die leberentzündung kann in chronischen fällen zu leberkrebs

der anti krebs plan vorbeugen unterstützen nachso - Aug 03 2022

web lebensbereiche auf was jeder ganz konkret tun kann um dem krebs zu trotzen der antikrebs plan ist die praxisbezogene

fortführung des antikrebs buchs von david

der anti krebs plan vorbeugen unterstützen nachso 2022 - Apr 11 2023

web der anti krebs plan vorbeugen unterstützen nachso 3 3 eigenen krebsler periode durchaus gelingen kann erfahren sie in diesem buch radiopharmaceutical chemistry

der anti krebs plan vorbeugen unterstützen nachso - Feb 09 2023

web der anti krebs plan vorbeugen unterstützen nachso der anti krebs plan vorbeugen unterstützen nachso 2 downloaded from publicaties sodexo nl on 2019 05 23 by

der anti krebs plan vorbeugen unterstützen nachsorgen mit - Oct 25 2021

web aug 25 2023 der anti krebs plan vorbeugen unterstützen nachsen krebs vorbeugen auf die ernährung kommt es an fair der antikrebs plan lorenzo cohen alison jefferies

der anti krebs plan vorbeugen unterstützen nachsorgen mit - Jun 01 2022

web jun 8 2023 der anti krebs plan vorbeugen unterstützen nachsorgen mit den 6 säulen der gesundheit das neue standardwerk zur prävention und therapie von krebs by

das hilft krebs zu verhindern Ärzte zeitung - Jan 08 2023

web may 6 2020 es klingt banal ist aber nicht trivial eine gesunde ernährung und ausreichend bewegung beugen krebserkrankungen vor prävention durch sport eine

der anti krebs plan vorbeugen unterstützen nachsorgen mit - Nov 25 2021

web nachsen das antikrebs buch was uns schützt vorbeugen und die krebsflüsterin von sophie sabbage portofrei bei bücher der anti krebs plan vorbeugen unterstützen nachsen

der anti krebs plan vorbeugen unterstützen nachsorgen mit - Dec 07 2022

web vorläufiger der anti krebs plan vorbeugen unterstützen nachsen krebs vorbeugen auf die ernährung kommt es an fair anti krebs ebay kleinanzeigen vorbeugen gegen

der anti krebs plan vorbeugen unterstützen nachsorgen mit - Jul 02 2022

web einfache regeln schützen vor krebs deutsche der anti krebs plan vorbeugen unterstützen nachsen vorbeugen gegen krebs bewegung hilft enorm bildderfrau de der antikrebs

der anti krebs plan vorbeugen unterstützen nachsorgen mit - Sep 16 2023

web der anti krebs plan vorbeugen unterstützen nachsorgen mit den 6 säulen der gesundheit das neue standardwerk zur prävention und therapie von krebs by lorenzo cohen nachsen das antikrebs buch was uns schützt vorbeugen und der

activity 2 1 3 free body diagrams principles of engineering - Sep 22 2023

web questions even though we only worked on very basic free body diagrams it is still experience any experience in technical

drawing is beneficial and anything will help even going into an actual physics

drawing free body diagrams pltw poe body diagrams answers - Jun 07 2022

web the motion of objects is determined to the relative size and the direction of the tools that act upon it free body diagrams showing those crew their direction and her relative magnitude are often often the depict so information in those lesson the physics untrichtersraum discusses the details of construction free body diagrams

2 1 3 free body diagrams principles of engineering google sites - May 18 2023

web one planning tool that engineers can use is the free body diagram free body diagrams show all forces that act upon a body or part the information identified in a free body diagram

drawing free body diagrams pltw poe body diagrams answers - Mar 04 2022

web the motion of objects is determined by and relative size and the direction of the forces that act upon it free body diagrams showing these effort their direction and ihr relative magnitude what often employed to depict so information in all lesson the physics wohnzimmer discusses the details about constructing free body diagrams

pltw activity 2 1 3 answer key answers for 2023 exams - Jul 08 2022

web pdf pltw activity 1 3 answers redraiders com pltw poe 1 3 4 answer key pltw activity 2 1 3 answers pltw activity 2 1 3 pltw activity 2 1 3 activity 2 1 3 free body diagrams intro in this activity we would draw free body diagrams of everyday objects examine the image below draw a free body diagram for both objects

poe 2 1 mr bartos website - Apr 17 2023

web in this section you will learn how to identify and calculate forces acting on a body when it is in static equilibrium then calculate internal and external forces of a truss and use this knowledge to design build and test truss designs

activity 2 1 3 free body diagrams albion hajdini google sites - Aug 21 2023

web intro in this activity we would draw free body diagrams of everyday objects examine the image below draw a free body diagram for both objects use the notation in the image as

pltw 2 1 3 lesson on free body diagrams and supports - Jun 19 2023

web recorded live in class 4 3 2018 this video reviews force free body diagrams supports and other important concepts to prepare students for truss analysis a

2 1 6 step by step truss system nicholas byrnes2020 google - Feb 03 2022

web poe priciples of engineering unit 1 1 1 professional interview 1 1 6 compound machine 1 2 1 energy source presentation 1 2 5 mechanical system efficiency 1 3 1 solar hydrogen system 1 4 1 renewable electrical energy generation and distribution design temp unit 2 2 1 1 centroids

technology121 free body diagram solutions course hero - Jan 14 2023

web one planning tool that engineers can use is the free body diagram free body diagrams show all forces that act upon a body or part the information identified in a free body diagram can be used to determine whether a part is adequate

pltw human body systems functions and structures - Apr 05 2022

web key structures skin hair nails skeletal system protects and supports body organs provide a framework the muscles can use to cause movement stores minerals skeletal system key structures bones joints muscular system moves the body and moves substances around the body maintains posture produces heat

pltw principles of engineering course framework - Dec 13 2022

web 2 1 1 why is it crucial for designers and engineers to construct accurate free body diagrams of the parts and structures that they design 2 1 2 why must designers and engineers calculate forces acting on bodies and structures 2 1 3 when solving truss forces why is it important to know that the structure is statically determinate

free body diagrams poe youtube - Nov 12 2022

web pltw turner

principles of engineering mr desantis engineering pltw - Mar 16 2023

web poe part a review poe part a review answers poe part b review poe part b review answers unit 1 review unit 2 review unit 3 review unit 4 review practice questions mychandlerschools org page 4555 poe practice test quizlet answer key poe pltw engineering formula sheet

principles of engineering - May 06 2022

web acting on a body when it is in static equilibrium students will calculate internal and external forces of a truss they will use this knowledge to design build and test their own truss designs lesson 2 2 material properties material properties are an important piece of information that

activity 2 1 3 free body diagrams hphs engineering - Aug 09 2022

web a free body diagram isolates an object from its environment or system and symbolically examines all of the forces acting on the object pltw created date 12 31 2007 15 36 13 title activity 2 1 3 free body diagrams subject poe lesson 2 1 last modified by matt arnold company project lead the way inc

math111 poe free body diagram solutions pdf course hero - Feb 15 2023

web one planning tool that engineers can use is the free body diagram free body diagrams show all forces that act upon a body or part the information identified in a free body diagram can be used to determine whether a part is adequate

fi fifi - Oct 11 2022

web pltw engineering program and is appropriate for students in grades 9 12 in principles of engineering students students analyze and solve systems through the use of free body diagrams force vectors moment calculations and method of joints

they culminate their understanding by designing

activity 2 1 3 free body diagrams answer key i love this toys - Jul 20 2023

web why is it important to create free body diagrams a free body diagram isolates a structural element from its surroundings for the purpose of exposing the forces acting between objects fbds are useful in solving for the forces acting on objects 2

sketch a free body diagram of the person sitting in a car seat as shown below

activity 2 1 6 step by step truss system pltw engineering - Sep 10 2022

web in this activity you will calculate reaction and member forces for the truss system illustrated below it is essential to follow each step within the procedure to ensure proper calculations and free body diagrams calculate external reaction forcesx and y reaction force at pin a and y reaction force at roller c

military economics the interaction of power and mo protese - Apr 16 2022

military economics the interaction of power and money - Aug 01 2023

web oct 29 2009 by exploring the interaction between the military and economy power and money ron smith provides an insightful contribution to military planning which

economic power military power and national security jstor - Dec 25 2022

web military economics the interaction of power and mo 1 military economics the interaction of power and mo the interaction of economics and politics in brazil

military economics the interaction of power and money - Feb 24 2023

web oct 29 2009 type text source title military economics the interaction of power and money access restricted item true addeddate 2023 05 31 03 56 04 identifier

military economics the interaction of power and money - Apr 28 2023

web oct 28 2009 economic issues are central to the preparation for war which involves balancing resources and commitments by exploring the interaction between the

military economics the interaction of power and money - Oct 03 2023

web military power needs to be financed and economic development is often shaped by military conflict thus the interaction of military and economy power and money is central to the modern world this book provides an accessible introduction to the

military economics the interaction of power and money core - Mar 28 2023

web military power needs to be financed and economic development is often shaped by military conflict thus the interaction of military and economy power and money is

military economics the interaction of power and money - May 30 2023

web oct 13 2022 english viii 194 p 23 cm military power needs to be financed and economic development is often shaped by military conflict thus the interaction of

ron smith military economics the interaction of power and money - Sep 02 2023

web jul 11 2012 in military economics ron smith provides a concise introduction to how the tools of economics can illuminate a number of issues related to the military this primer

ron smith military economics the interaction of power and - Jul 20 2022

web military power needs to be financed and economic development is often shaped by military conflict thus the interaction of military and economy power and money is

military economics the interaction of power and money - Jan 26 2023

web that military advantage was a key determinant of national security and that there was a positive relationship between the two that is s s mo me with ds d mo me 0 where

military power vs economic power on this day - Sep 21 2022

web oct 30 2023 over the weekend the israeli military appears to have begun an invasion of the gaza strip with tanks rolling into the enclave and israeli soldiers fighting hamas

israel s invasion begins the new york times - Aug 21 2022

web chapter two discusses the specifics of the relationship between military power and the economy while smith draws attention to the negative economic and social

military economics the interaction of power and money - Jun 30 2023

web apr 30 2016 ron smith springer apr 30 2016 political science 194 pages military power needs to be financed and economic development is often shaped by military

military defence or economic power qrius - Oct 23 2022

web film tv throughout history military power has been paramount and economic power a luxury this has slowly changed to the point that the two roles have been reversed

military economics the interaction of power and mo full pdf - Nov 23 2022

web military power and economic power are more mutually enabling than they are fungible in short military power isn t an anachronism it is and will long remain as an essential

military economics the interaction of power and mo 2022 - May 18 2022

web military power needs to be financed and economic development is often shaped by military conflict thus the interaction of military and economy power and money is

military economics the interaction of power and mo eagldemo2 - Jun 18 2022

web military economics the interaction of power and mo 1 military economics the interaction of power and mo land use
politics in the dutch economy military