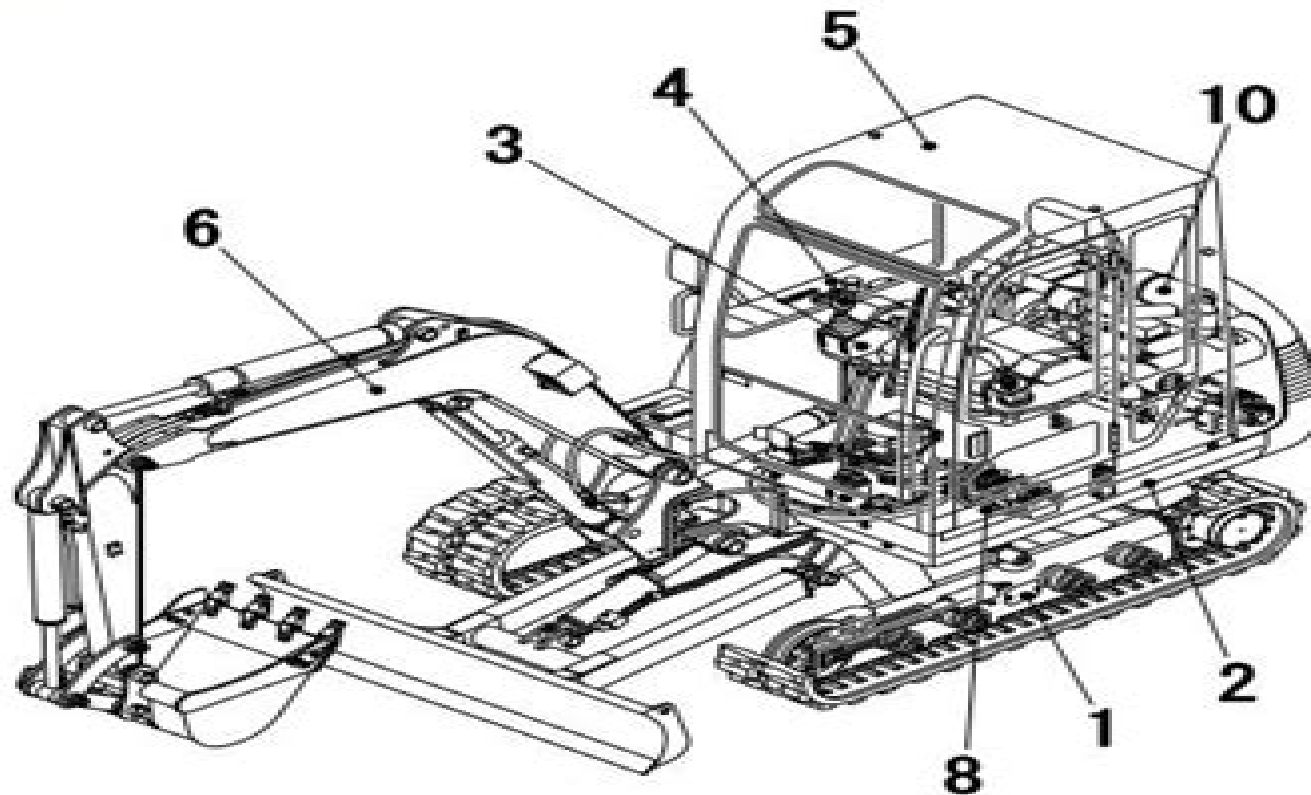


TB135

Book No.BG4Z010-1
Serial No.13510004-



TAKEUCHI

Takeuchi Tb135 Operators Manual

D Keegan



Takeuchi Tb135 Operators Manual:

Reviewing **Takeuchi Tb135 Operators Manual**: Unlocking the Spellbinding Force of Linguistics

In a fast-paced world fueled by information and interconnectivity, the spellbinding force of linguistics has acquired newfound prominence. Its capacity to evoke emotions, stimulate contemplation, and stimulate metamorphosis is really astonishing. Within the pages of "**Takeuchi Tb135 Operators Manual**," an enthralling opus penned by a very acclaimed wordsmith, readers attempt an immersive expedition to unravel the intricate significance of language and its indelible imprint on our lives. Throughout this assessment, we shall delve into the book's central motifs, appraise its distinctive narrative style, and gauge its overarching influence on the minds of its readers.

http://www.frostbox.com/results/scholarship/index.jsp/sterling_a_1_line_truck_service_manual.pdf

Table of Contents Takeuchi Tb135 Operators Manual

1. Understanding the eBook Takeuchi Tb135 Operators Manual
 - The Rise of Digital Reading Takeuchi Tb135 Operators Manual
 - Advantages of eBooks Over Traditional Books
2. Identifying Takeuchi Tb135 Operators Manual
 - Exploring Different Genres
 - Considering Fiction vs. Non-Fiction
 - Determining Your Reading Goals
3. Choosing the Right eBook Platform
 - Popular eBook Platforms
 - Features to Look for in an Takeuchi Tb135 Operators Manual
 - User-Friendly Interface
4. Exploring eBook Recommendations from Takeuchi Tb135 Operators Manual
 - Personalized Recommendations
 - Takeuchi Tb135 Operators Manual User Reviews and Ratings
 - Takeuchi Tb135 Operators Manual and Bestseller Lists

5. Accessing Takeuchi Tb135 Operators Manual Free and Paid eBooks
 - Takeuchi Tb135 Operators Manual Public Domain eBooks
 - Takeuchi Tb135 Operators Manual eBook Subscription Services
 - Takeuchi Tb135 Operators Manual Budget-Friendly Options
6. Navigating Takeuchi Tb135 Operators Manual eBook Formats
 - ePub, PDF, MOBI, and More
 - Takeuchi Tb135 Operators Manual Compatibility with Devices
 - Takeuchi Tb135 Operators Manual Enhanced eBook Features
7. Enhancing Your Reading Experience
 - Adjustable Fonts and Text Sizes of Takeuchi Tb135 Operators Manual
 - Highlighting and Note-Taking Takeuchi Tb135 Operators Manual
 - Interactive Elements Takeuchi Tb135 Operators Manual
8. Staying Engaged with Takeuchi Tb135 Operators Manual
 - Joining Online Reading Communities
 - Participating in Virtual Book Clubs
 - Following Authors and Publishers Takeuchi Tb135 Operators Manual
9. Balancing eBooks and Physical Books Takeuchi Tb135 Operators Manual
 - Benefits of a Digital Library
 - Creating a Diverse Reading Collection Takeuchi Tb135 Operators Manual
10. Overcoming Reading Challenges
 - Dealing with Digital Eye Strain
 - Minimizing Distractions
 - Managing Screen Time
11. Cultivating a Reading Routine Takeuchi Tb135 Operators Manual
 - Setting Reading Goals Takeuchi Tb135 Operators Manual
 - Carving Out Dedicated Reading Time
12. Sourcing Reliable Information of Takeuchi Tb135 Operators Manual
 - Fact-Checking eBook Content of Takeuchi Tb135 Operators Manual
 - Distinguishing Credible Sources
13. Promoting Lifelong Learning

- Utilizing eBooks for Skill Development
 - Exploring Educational eBooks
14. Embracing eBook Trends
- Integration of Multimedia Elements
 - Interactive and Gamified eBooks

Takeuchi Tb135 Operators Manual Introduction

Takeuchi Tb135 Operators Manual Offers over 60,000 free eBooks, including many classics that are in the public domain. Open Library: Provides access to over 1 million free eBooks, including classic literature and contemporary works. Takeuchi Tb135 Operators Manual Offers a vast collection of books, some of which are available for free as PDF downloads, particularly older books in the public domain. Takeuchi Tb135 Operators Manual : This website hosts a vast collection of scientific articles, books, and textbooks. While it operates in a legal gray area due to copyright issues, its a popular resource for finding various publications. Internet Archive for Takeuchi Tb135 Operators Manual : Has an extensive collection of digital content, including books, articles, videos, and more. It has a massive library of free downloadable books. Free-eBooks Takeuchi Tb135 Operators Manual Offers a diverse range of free eBooks across various genres. Takeuchi Tb135 Operators Manual Focuses mainly on educational books, textbooks, and business books. It offers free PDF downloads for educational purposes. Takeuchi Tb135 Operators Manual Provides a large selection of free eBooks in different genres, which are available for download in various formats, including PDF. Finding specific Takeuchi Tb135 Operators Manual, especially related to Takeuchi Tb135 Operators Manual, might be challenging as theyre often artistic creations rather than practical blueprints. However, you can explore the following steps to search for or create your own Online Searches: Look for websites, forums, or blogs dedicated to Takeuchi Tb135 Operators Manual, Sometimes enthusiasts share their designs or concepts in PDF format. Books and Magazines Some Takeuchi Tb135 Operators Manual books or magazines might include. Look for these in online stores or libraries. Remember that while Takeuchi Tb135 Operators Manual, sharing copyrighted material without permission is not legal. Always ensure youre either creating your own or obtaining them from legitimate sources that allow sharing and downloading. Library Check if your local library offers eBook lending services. Many libraries have digital catalogs where you can borrow Takeuchi Tb135 Operators Manual eBooks for free, including popular titles. Online Retailers: Websites like Amazon, Google Books, or Apple Books often sell eBooks. Sometimes, authors or publishers offer promotions or free periods for certain books. Authors Website Occasionally, authors provide excerpts or short stories for free on their websites. While this might not be the Takeuchi Tb135 Operators Manual full book , it can give you a taste of the authors writing style. Subscription Services Platforms like Kindle Unlimited or Scribd offer subscription-based

access to a wide range of Takeuchi Tb135 Operators Manual eBooks, including some popular titles.

FAQs About Takeuchi Tb135 Operators Manual Books

What is a Takeuchi Tb135 Operators Manual PDF? A PDF (Portable Document Format) is a file format developed by Adobe that preserves the layout and formatting of a document, regardless of the software, hardware, or operating system used to view or print it. **How do I create a Takeuchi Tb135 Operators Manual PDF?** There are several ways to create a PDF: Use software like Adobe Acrobat, Microsoft Word, or Google Docs, which often have built-in PDF creation tools. Print to PDF: Many applications and operating systems have a "Print to PDF" option that allows you to save a document as a PDF file instead of printing it on paper. Online converters: There are various online tools that can convert different file types to PDF. **How do I edit a Takeuchi Tb135 Operators Manual PDF?** Editing a PDF can be done with software like Adobe Acrobat, which allows direct editing of text, images, and other elements within the PDF. Some free tools, like PDFescape or Smallpdf, also offer basic editing capabilities. **How do I convert a Takeuchi Tb135 Operators Manual PDF to another file format?** There are multiple ways to convert a PDF to another format: Use online converters like Smallpdf, Zamzar, or Adobe Acrobats export feature to convert PDFs to formats like Word, Excel, JPEG, etc. Software like Adobe Acrobat, Microsoft Word, or other PDF editors may have options to export or save PDFs in different formats. **How do I password-protect a Takeuchi Tb135 Operators Manual PDF?** Most PDF editing software allows you to add password protection. In Adobe Acrobat, for instance, you can go to "File" -> "Properties" -> "Security" to set a password to restrict access or editing capabilities. Are there any free alternatives to Adobe Acrobat for working with PDFs? Yes, there are many free alternatives for working with PDFs, such as: LibreOffice: Offers PDF editing features. PDFsam: Allows splitting, merging, and editing PDFs. Foxit Reader: Provides basic PDF viewing and editing capabilities. How do I compress a PDF file? You can use online tools like Smallpdf, ILovePDF, or desktop software like Adobe Acrobat to compress PDF files without significant quality loss. Compression reduces the file size, making it easier to share and download. Can I fill out forms in a PDF file? Yes, most PDF viewers/editors like Adobe Acrobat, Preview (on Mac), or various online tools allow you to fill out forms in PDF files by selecting text fields and entering information. Are there any restrictions when working with PDFs? Some PDFs might have restrictions set by their creator, such as password protection, editing restrictions, or print restrictions. Breaking these restrictions might require specific software or tools, which may or may not be legal depending on the circumstances and local laws.

Find Takeuchi Tb135 Operators Manual :

[sterling a l line truck service manual](#)

[statistics 1 edexcel 2013 may mark scheme](#)

[stewart calculus early transcendental solution manual](#)

step by guide install oracle developer suite 10g on windows

[statistics for business economics answers 8th edition](#)

[steps to writing an essay conclusion](#)

[step by step instructions how to loom](#)

steris 3085 surgical table repair manual

stewart multivariable calculus solutions manual 6th

[steel design william segui solution manual](#)

[stero commercial dishwasher parts manual](#)

sterling 10 user manual

stiga gas trimmer repair manual

statistics chapter 5 raft garnet valley school district

[steel inspector guide](#)

Takeuchi Tb135 Operators Manual :

Heidelberg Quickmaster Operator Manual Pdf Heidelberg Quickmaster Operator Manual Pdf. INTRODUCTION Heidelberg Quickmaster Operator Manual Pdf (PDF) Heidelberg QMDI manuals (4), Quickmaster DI 46-4 ... Heidelberg QMDI manuals (4), Quickmaster DI 46-4 Operating & Parts,plus 2 more ; Item Number. 166314540686 ; Type. Book ; Subject Area. service manual ; Est. HEIDELBERG QM 46 User MANUAL HEIDELBERG QM 46 User MANUAL. service manual PDF, ePub eBook. Quick Master Roller setting instructions Aug 4, 2020 — I am trying to set rollers on a quickmaster 2010. setting screw colors in manual do not correspond to this press. Heidelberg Quickmaster 46 2 Operators and Parts Manual Heidelberg Quickmaster 46-2 Operators and Parts Manual in Business & Industrial, Printing & Graphic Arts, Commercial Printing Essentials. Quickmaster Manual 2 pas aux spécifications de Heidelberg, ces appa- reils additionnels doivent ... O.S. Operator side. Baldwin device. For variant without pneumatic compressor. Up ... Full Heidelberg Printmaster QM 46 Training Video | Facebook Heidelberg Quickmaster 46 2 Operators and Parts Manual Heidelberg Quickmaster 46-2 Operators and Parts Manual in Business & Industrial, Printing & Graphic Arts, Commercial Printing Essentials. Heilderberg GTO 46 Oct 7, 2020

— Does anyone know of a copy online of an operation manual for the GTO 46? Thanks! 1 Preface This documentation provides you with information on the versions, specifications and technical characteristics of the Heidelberg Quickmaster DI 46-4 and the. Criminal Law (Gilbert Law Summaries) ... The topics discussed in this criminal law outline are elements of crimes (including actus reus, mens rea, and causation), vicarious liability, complicity in ... Dix and Abramson's Gilbert Law Summary on Criminal Law ... Jan 26, 2023 — The topics discussed in this criminal law outline are elements of crimes (including actus reus, mens rea, and causation), ... Marcus and Wilson's Gilbert Law Summary on Criminal ... Jun 29, 2021 — A criminal procedure outline that highlights all of the key criminal procedure decisions from the U.S. Supreme Court in an easy-to-read and ... Gilbert Law Summaries : Criminal Law: 9780159007679 The reality is that Criminal Law class really isn't that intense. You'll cover murder, privileges, common law crimes, and perhaps some of the Model Penal Code ... Gilbert Law Summaries - Study Aids GILBERT LAW SUMMARIES ON CRIMINAL LAW (20TH, 2022) 9781685613662. \$56.15 ... GILBERT LAW SUMMARIES ON CRIMINAL PROCEDURE (20TH, 2021) 9781636590943. \$54.18. Gilbert Law Summaries: Criminal Law The topics discussed in this criminal law outline are elements of crimes (including actus reus, mens rea, and causation), vicarious liability, complicity in ... Gilbert Law Summaries: Criminal Law - George E. Dix Gilbert Law Summaries: Criminal Law by George E. Dix - ISBN 10: 0159002176 - ISBN 13: 9780159002179 - Harcourt Legal & Professional - 1997 - Softcover. List of books by author Gilbert Law Summaries High Court Case Summaries, Criminal... by Gilbert Law Summaries. \$50.02. Format ... Criminal Law and Its Processes: Cases and Materials (Casebook). Stephen J ... 9781685613662 | Gilbert Law Summary on Jan 26, 2023 — Rent textbook Gilbert Law Summary on Criminal Law(Gilbert Law Summaries) by Dix, George E. - 9781685613662. Price: \$27.09. Gilbert Law Summaries : Criminal Law - Dix, George E. Gilbert Law Summaries : Criminal Law - Dix, George E. - Paperback - Good ; Item Number. 155838190316 ; Release Year. 2001 ; Book Title. Gilbert Law Summaries : ... Glencoe McGraw Hill Pre Algebra Answer Key WebChapter 1 A3 Glencoe Algebra 2 Answers Answers (Lesson 1-1) Skills Practice Expressions and Formulas Find the value of each expression. 1. 18 2 3 27 2. Glencoe Pre-Algebra answers & resources Homework Practice Workbook This Homework Practice Workbook gives you additional problems for the concept exercises in each lesson. Pre-Algebra Homework Practice Workbook - 1st Edition Find step-by-step solutions and answers to Pre-Algebra Homework Practice Workbook - 9780078907401, as well as thousands of textbooks so you can move forward ... Glencoe McGraw-Hill Pre-Algebra answers & resources Glencoe pre algebra homework practice workbook answer ... Glencoe pre algebra homework practice workbook answer key pdf. HomePre-AlgebraThe resource you requested requires you to enter a username and password below ... Glencoe Pre Algebra Workbook Answer Key Pdf The workbook includes a variety of exercises, problem-solving activities, and real-world applications to help students master pre-algebra topics such as number ... Answer Key Masters (Glencoe Pre-Algebra) ... Answer Key Masters (Glencoe Pre-Algebra) (Glencoe Pre-Algebra) ; Or fastest delivery Thursday, December 21. Order within 21 hrs 9 mins ; 978-0028250502. See all ... Student Workbooks

Scavenger Hunt Answer Sheet Science and Mathematics Lab Manual Spanish ... Pre-Algebra. Student Workbooks.
Homework Practice Workbook (13850.0K) · Study ...